



US00D328857S

United States Patent [19]

Ceko et al.

[11] Patent Number: **Des. 328,857**

[45] Date of Patent: **** Aug. 25, 1992**

[54] **TIRE HOSE GUARD**

[76] Inventors: **Mike J. Ceko**, 506 Dawes Road, Apt. 107, Toronto, Ontario M4B 2G2;
Alex R. Ricci, 4380 Shelby Crescent, Mississauga, Ontario L4W 3T3, both of Canada

[**] Term: **14 Years**

[21] Appl. No.: **488,782**

[22] Filed: **Mar. 5, 1990**

[30] **Foreign Application Priority Data**

Jan. 19, 1990 [CA] Canada 19-01-90-6

[52] U.S. Cl. **D8/356**

[58] Field of Search **D8/349, 354, 371, 373, D8/395, 380, 356; D25/68; D12/213; 248/65, 211, 210, 215, 291; D11/78.1, 200; D28/39; D19/65, 56**

[56] **References Cited**

U.S. PATENT DOCUMENTS

D. 76,229 9/1928 Burn D8/395

D. 156,659 12/1949 Reed D8/371 X
D. 206,783 1/1967 McCormick D8/395 X
D. 230,707 3/1974 McGowan D8/395
D. 301,303 5/1989 Hoover D8/356
D. 312,038 11/1990 Sachs D8/371
2,166,344 7/1939 Donohue D25/68 X

OTHER PUBLICATIONS

Grammes Catalog, p. 32, 1941, comb clip, item No. 34043 circled near top of page.

Primary Examiner—Wallace R. Burke
Assistant Examiner—H. Baynham
Attorney, Agent, or Firm—Jeffrey T. Imai

[57] **CLAIM**

The ornamental design for a tire hose guard, as shown and described.

DESCRIPTION

FIG. 1 is a right front perspective view of a tire hose guard showing our new design;
FIG. 2 is a left front perspective view thereof;
FIG. 3 is a top plan view thereof; and,
FIG. 4 is a right side elevational view thereof.

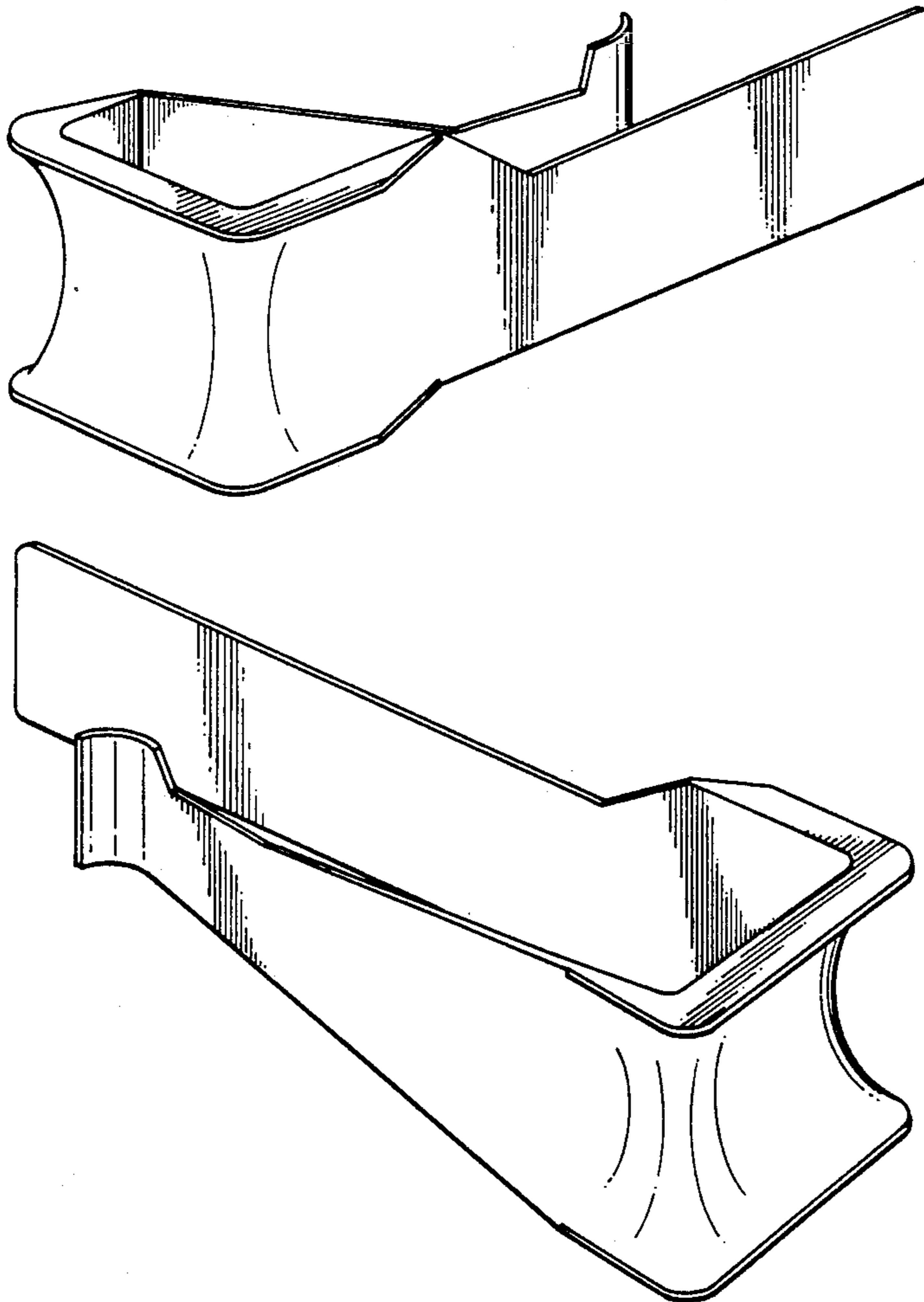


FIG. 1

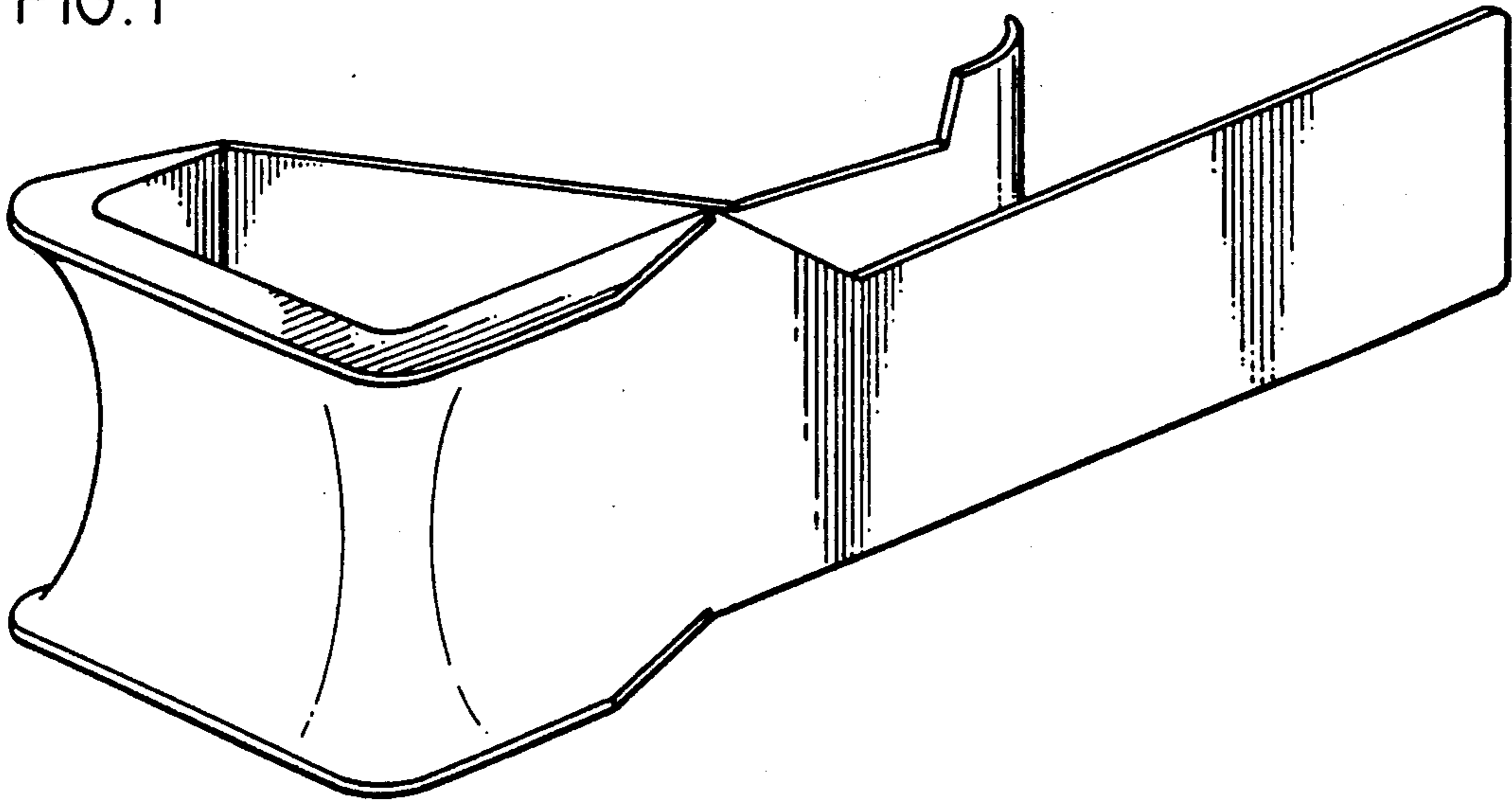


FIG. 2

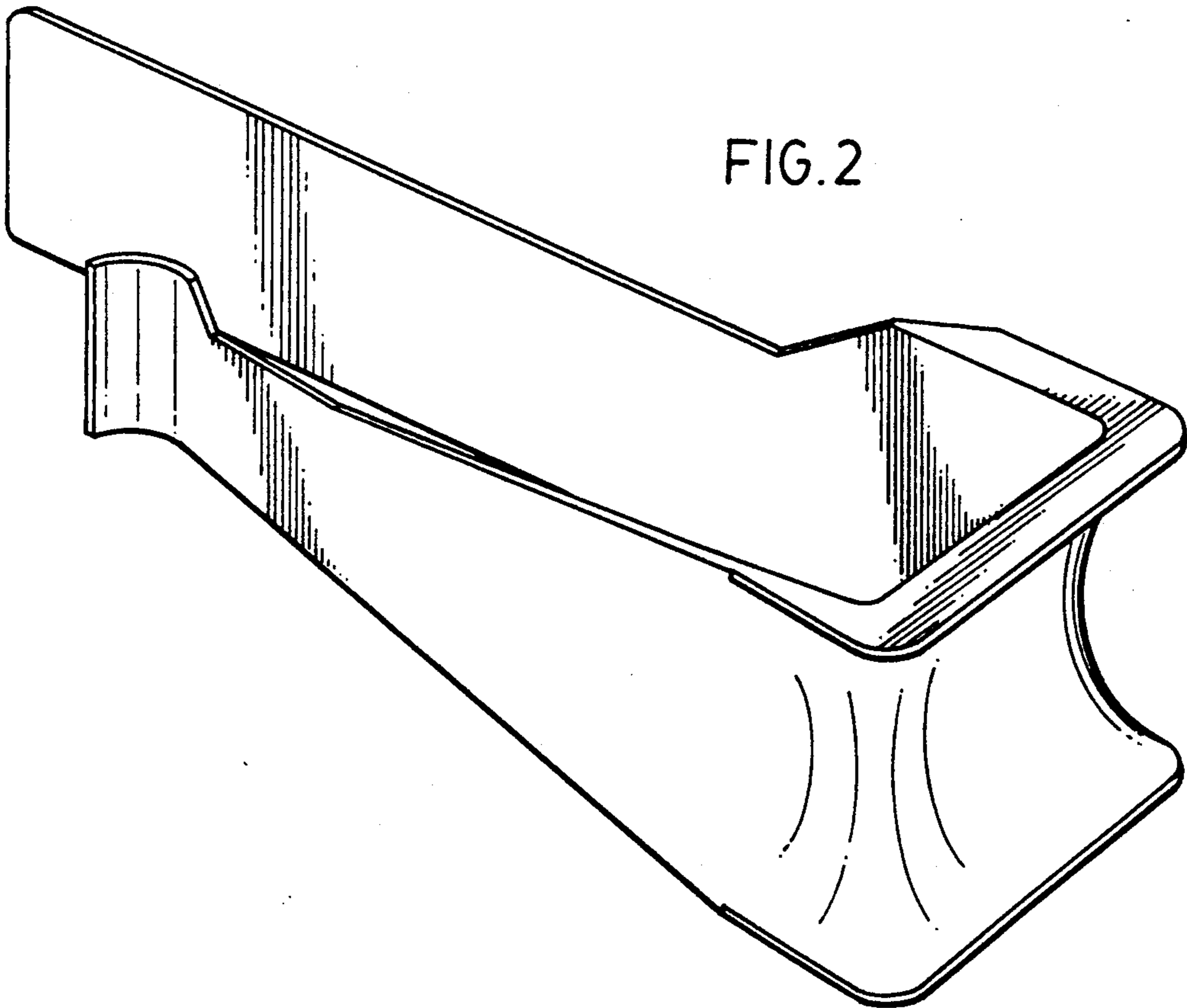


FIG. 3

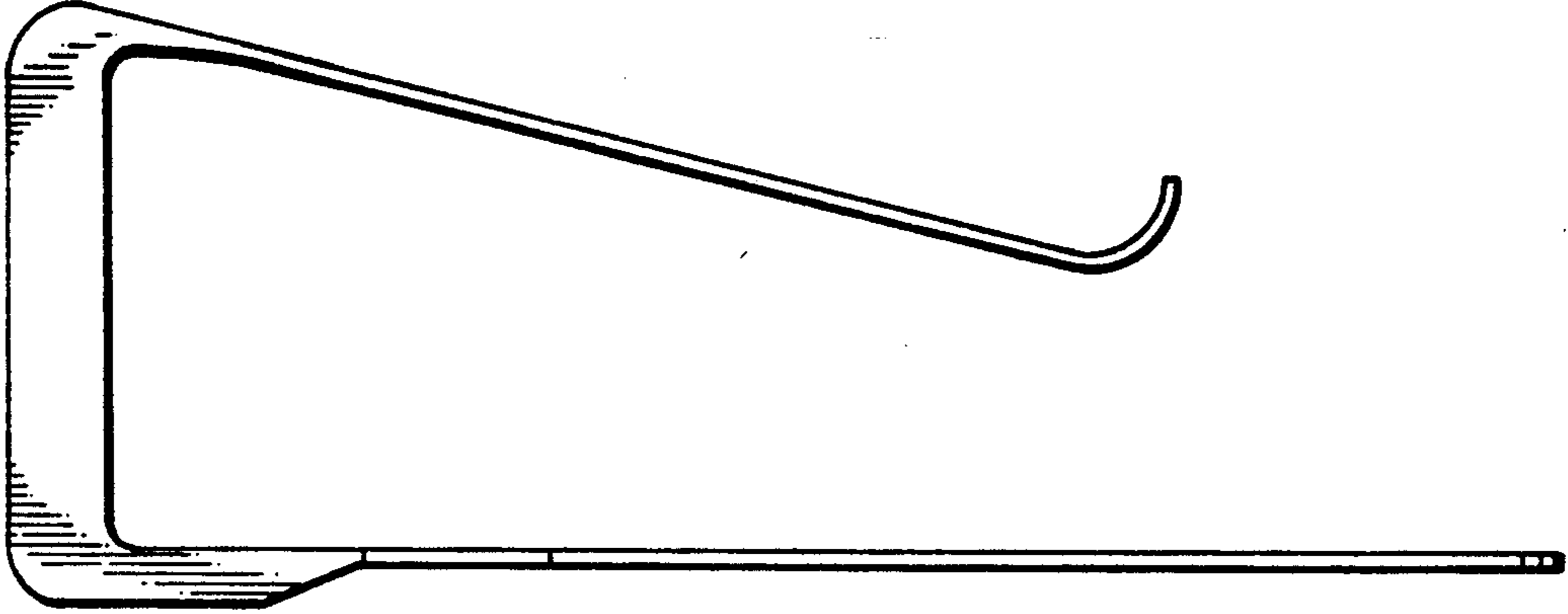


FIG. 4

