



US00D328849S

United States Patent [19]

[11] Patent Number: Des. 328,849

Cornick et al.

[45] Date of Patent: ** Aug. 25, 1992

[54] HANDLE

[75] Inventors: Lynn Cornick; Wilson Orozco, both of Brick, N.J.

[73] Assignee: Standard Keil Industries, Inc., Jericho, N.Y.

[**] Term: 14 Years

[21] Appl. No.: 447,709

[22] Filed: Dec. 8, 1989

[52] U.S. Cl. D8/306; D6/546

[58] Field of Search D8/301, 306, 316; 16/125, 126, 110 R; D6/523, 546

D. 293,184	12/1987	Chap	D6/546
D. 314,108	1/1991	Chap et al.	D6/523
3,158,284	11/1964	Henchert et al.	16/126
3,559,779	2/1971	Lautin et al.	16/126

Primary Examiner—Bernard Ansher
Assistant Examiner—Philip Hyder
Attorney, Agent, or Firm—Schweitzer Cornman & Gross

[57] CLAIM

The ornamental design for a handle, as shown and described.

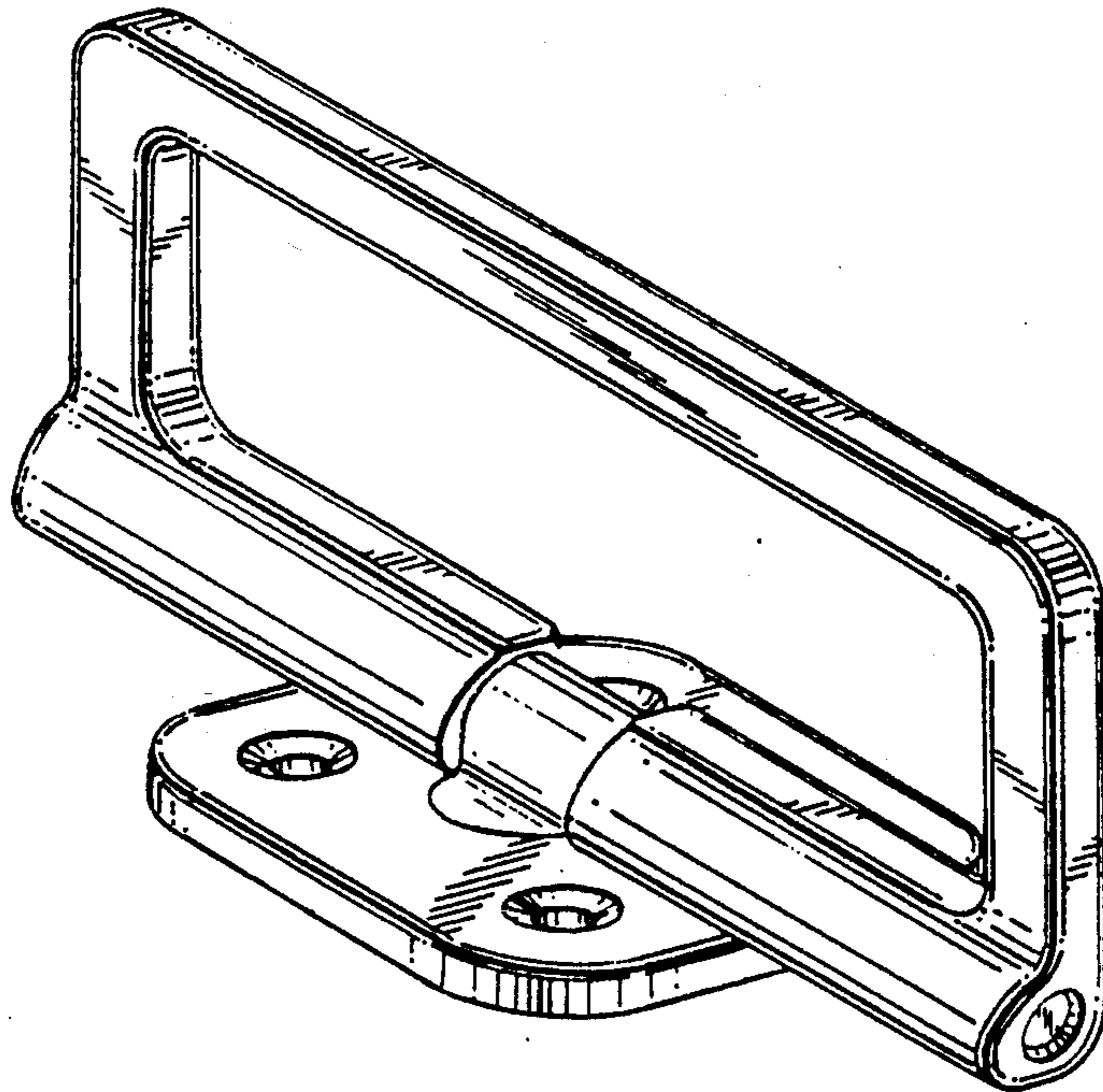
DESCRIPTION

FIG. 1 is a perspective view of a handle showing our new design;
FIG. 2 is a top plan view thereof;
FIG. 3 is a front elevational view thereof;
FIG. 4 is a left side elevational view thereof; and,
FIG. 5 is a bottom plan view thereof.

[56] References Cited

U.S. PATENT DOCUMENTS

D. 185,641	7/1959	Kotkins	D8/306
D. 263,182	3/1982	Thompson	D6/546



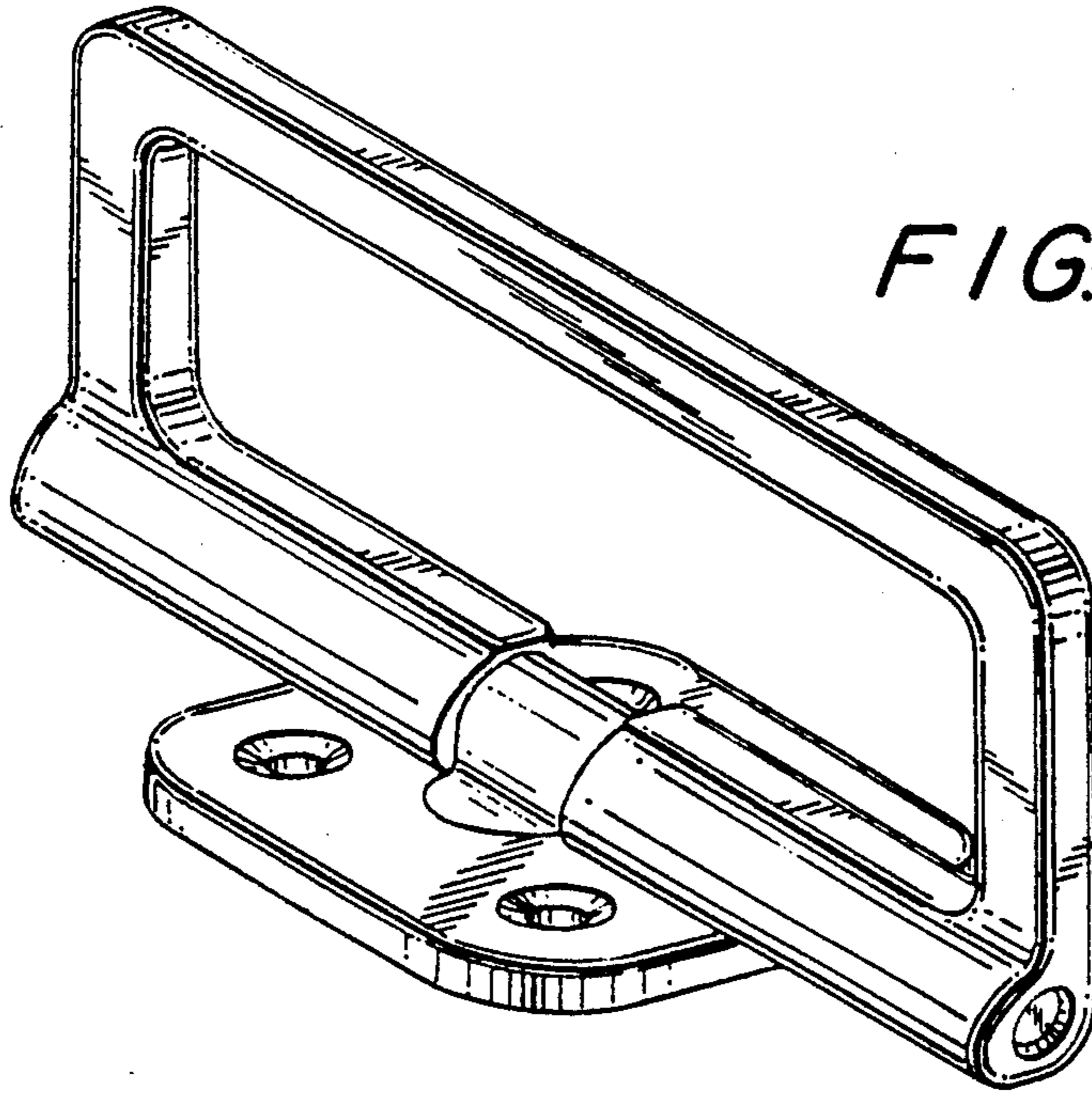


FIG. 1

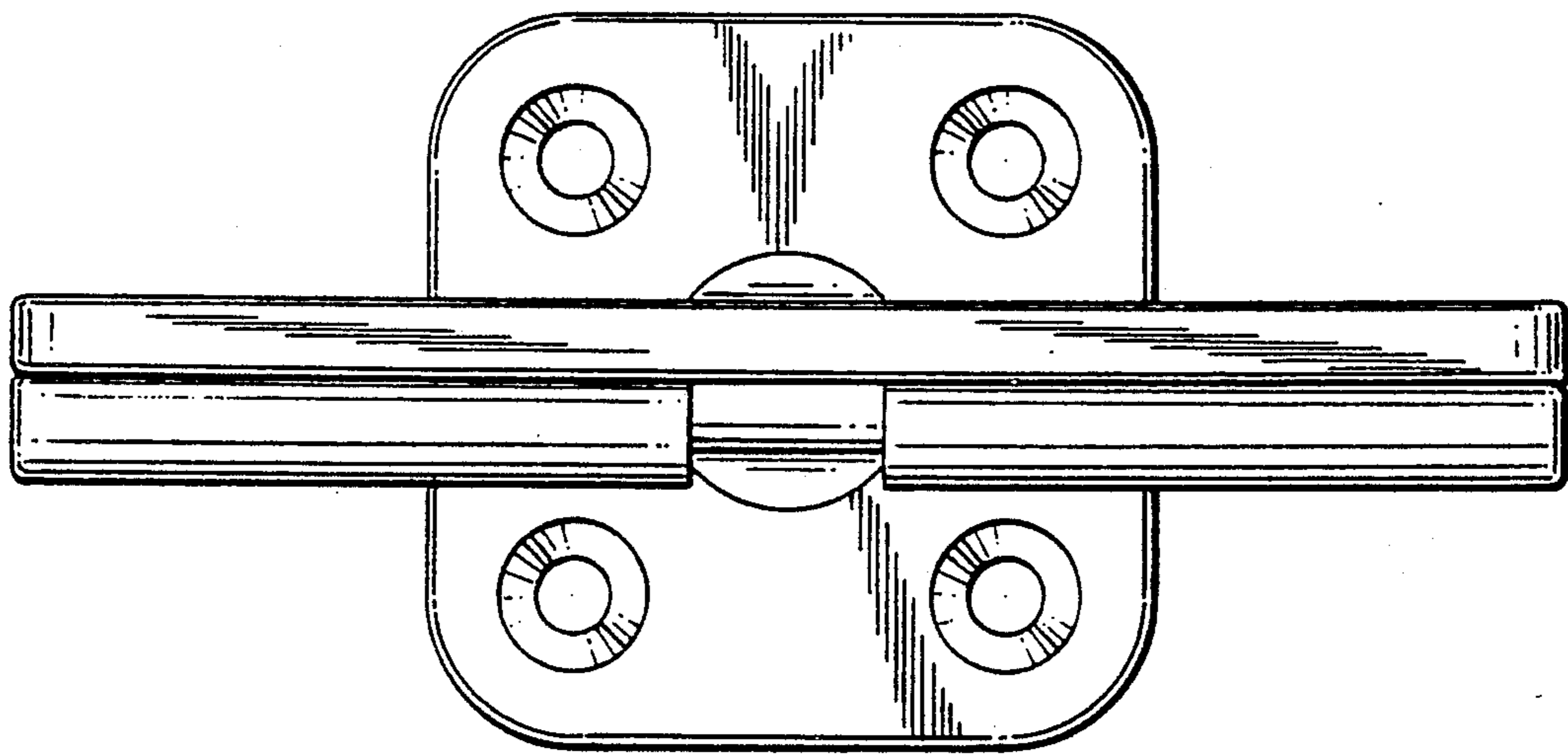


FIG. 2

