



US00D328847S

United States Patent [19]

[11] Patent Number: **Des. 328,847**

Button et al.

[45] Date of Patent: **** Aug. 25, 1992**

[54] **KNIFE SHARPENER**

4,903,438 2/1990 Smith 51/211 R
4,912,885 4/1990 Bonapace 76/82

[75] Inventors: **Frank R. Button; Alvin E. Taylor,**
both of Lake Hamilton, Ark.

OTHER PUBLICATIONS

Chicago Cutlery Cat., 1983, p. 7, Crock Stick Sharpeners.

[73] Assignee: **Tri-V Corporation, Pearcy, Ark.**

Primary Examiner—Bernard Ansher
Assistant Examiner—Philip Hyder
Attorney, Agent, or Firm—George F. Helfrich

[**] Term: **14 Years**

[21] Appl. No.: **358,604**

[57] CLAIM

The ornamental design for a knife sharpener, as shown and described.

[22] Filed: **May 30, 1989**

[52] U.S. Cl. **D8/93**

[58] Field of Search **D8/91, 92, 93; 51/157,**
51/158, 211 R, 211 H, 205 HG, 214, 221 BS;
76/86, 88

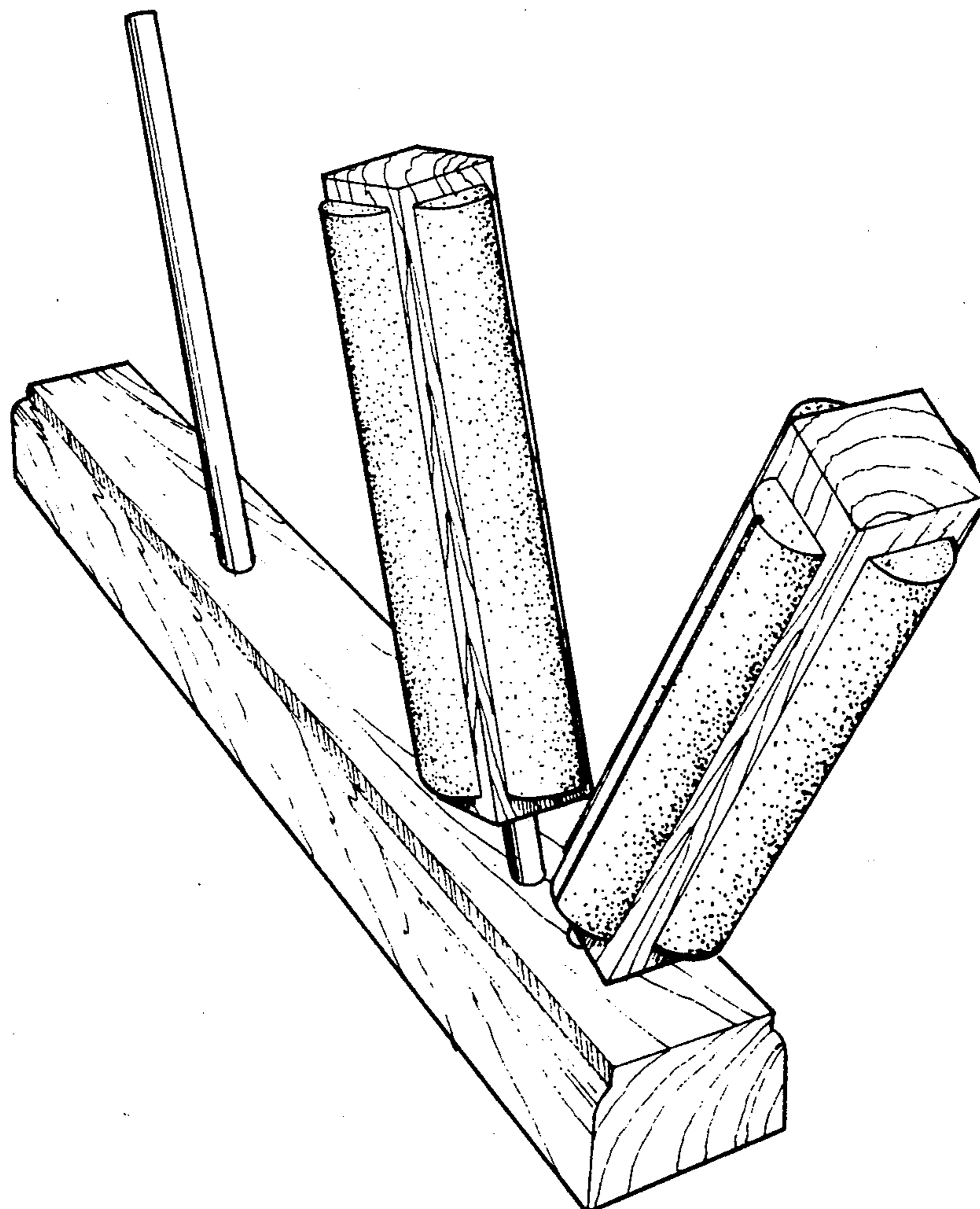
DESCRIPTION

FIG. 1 is a perspective view of a knife sharpener showing my new design;
FIG. 2 is a right side elevational view thereof;
FIG. 3 is a left side elevational view thereof;
FIG. 4 is a bottom plan view thereof;
FIG. 5 is a top plan view thereof;
FIG. 6 is a rear elevational view thereof; and,
FIG. 7 is a front elevational view thereof.

[56] References Cited

U.S. PATENT DOCUMENTS

D. 290,222	6/1987	Moody	D8/91
4,231,194	11/1980	Glesser	51/211 R
4,538,382	9/1985	Johannsen	51/211 R
4,719,722	1/1988	Washburn	51/205 WG
4,731,953	3/1988	Owen	51/221 BS



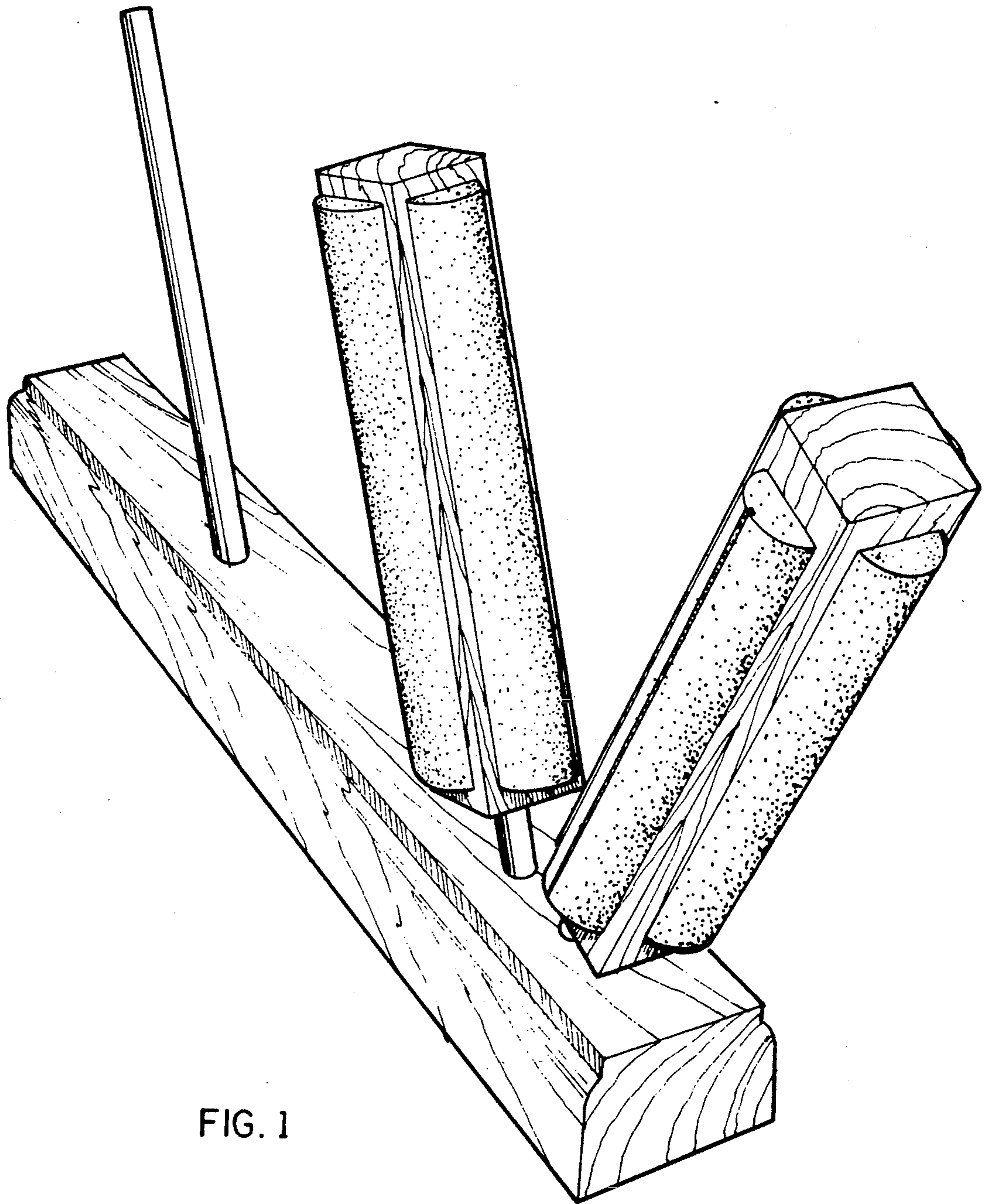


FIG. 1

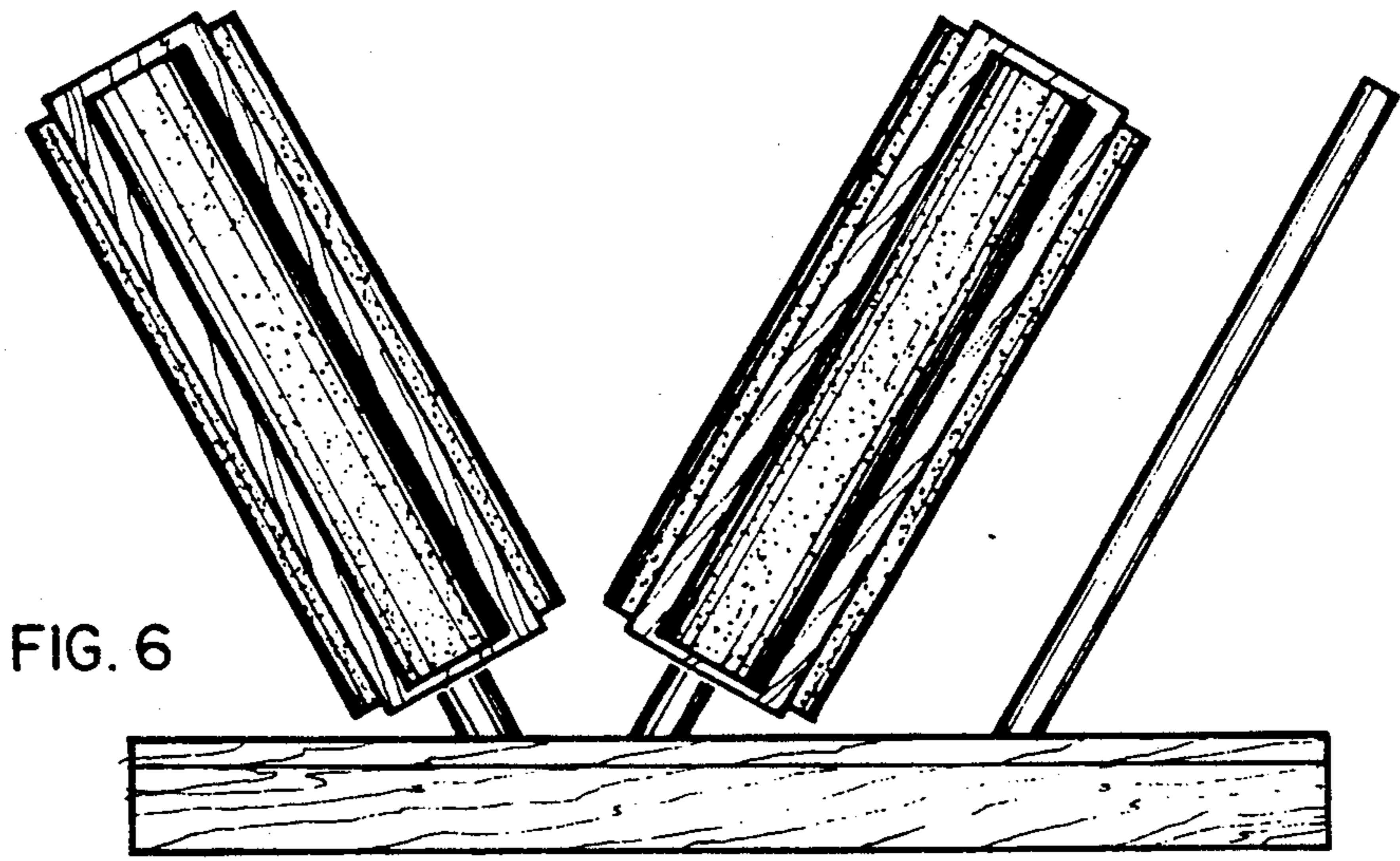


FIG. 6

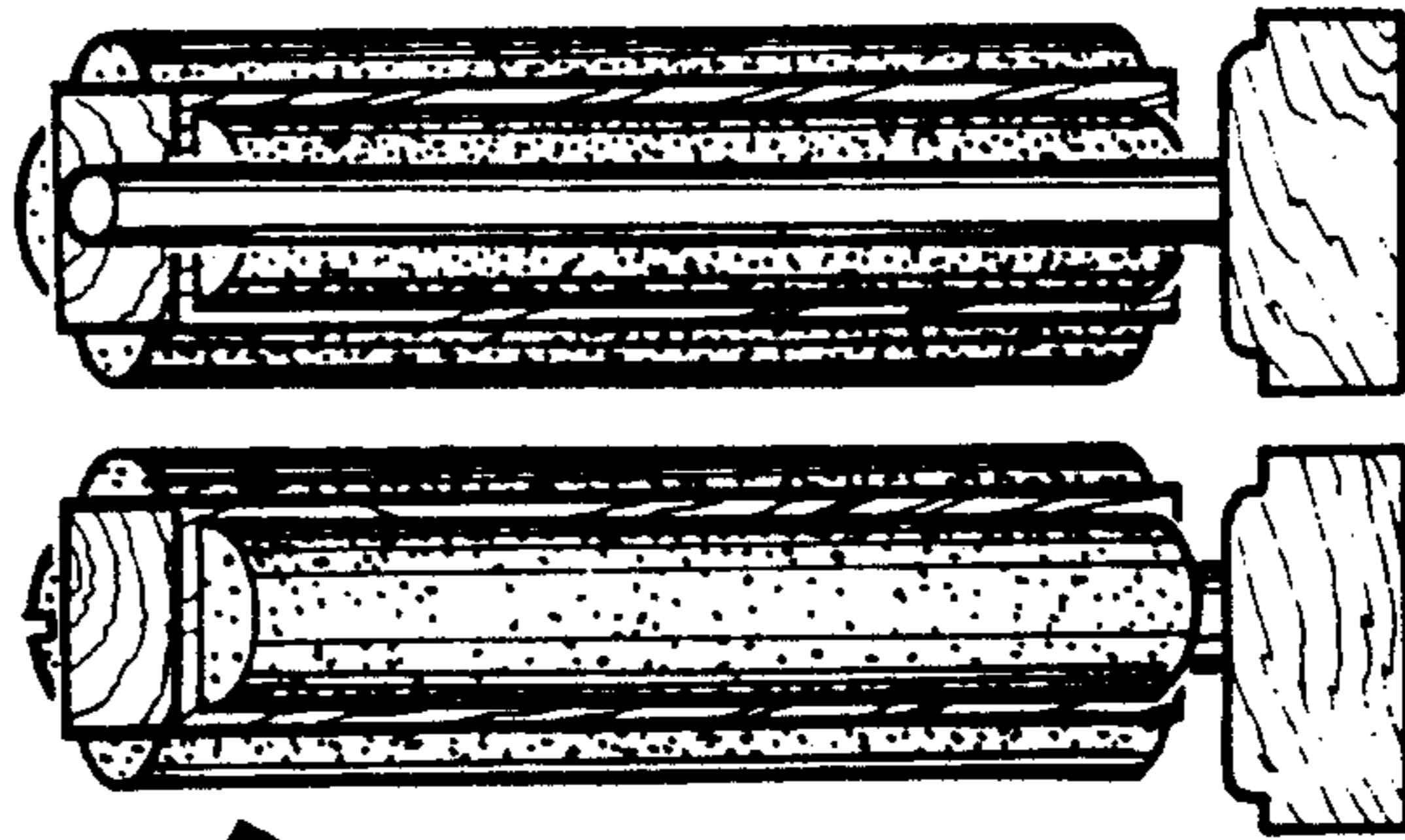


FIG. 3

FIG. 2

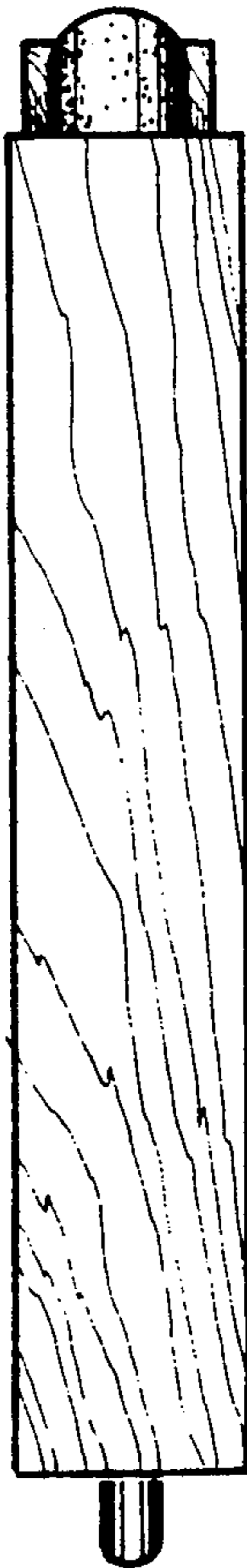


FIG. 4

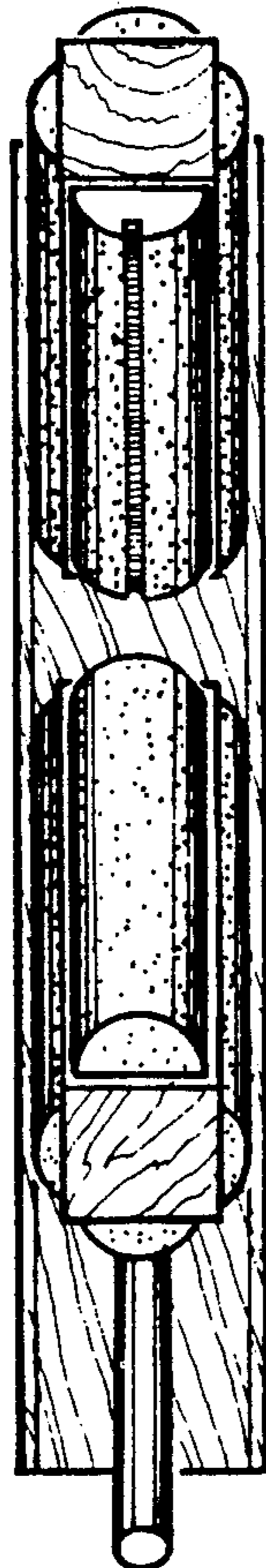


FIG. 5

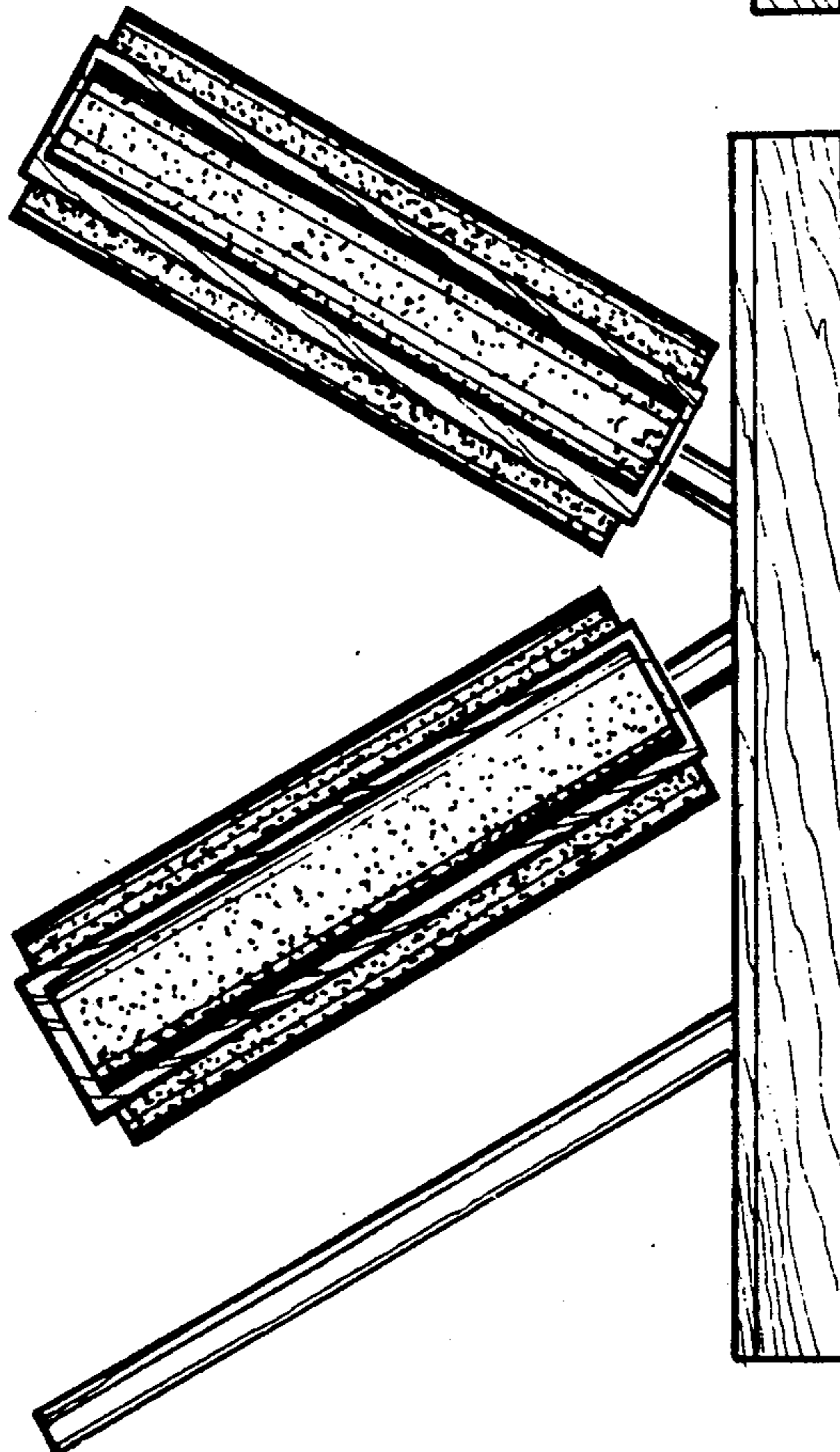


FIG. 7