



US00D328842S

# United States Patent [19]

[11] Patent Number: **Des. 328,842**

Whitman

[45] Date of Patent: **\*\* Aug. 25, 1992**

[54] RING CUTTER

4,587,968	5/1986	Price	606/28
4,864,730	9/1989	Weiss	30/378
4,976,034	12/1990	Whitman	30/370

[76] Inventor: **Anthony J. Whitman, 5 Redgate Rd., Tyngsboro, Mass. 01879**

[\*\*] Term: **14 Years**

*Primary Examiner*—Donald P. Walsh  
*Assistant Examiner*—J. H. Musgrove  
*Attorney, Agent, or Firm*—Terry M. Gernstein

[21] Appl. No.: **369,922**

[22] Filed: **Jun. 22, 1989**

[52] U.S. Cl. .... **D8/64**

[58] Field of Search ..... **D8/64; 30/124, 289, 30/370; 29/229; 606/151, 167, 27-31**

### [57] CLAIM

The ornamental design for a ring cutter, as shown and described.

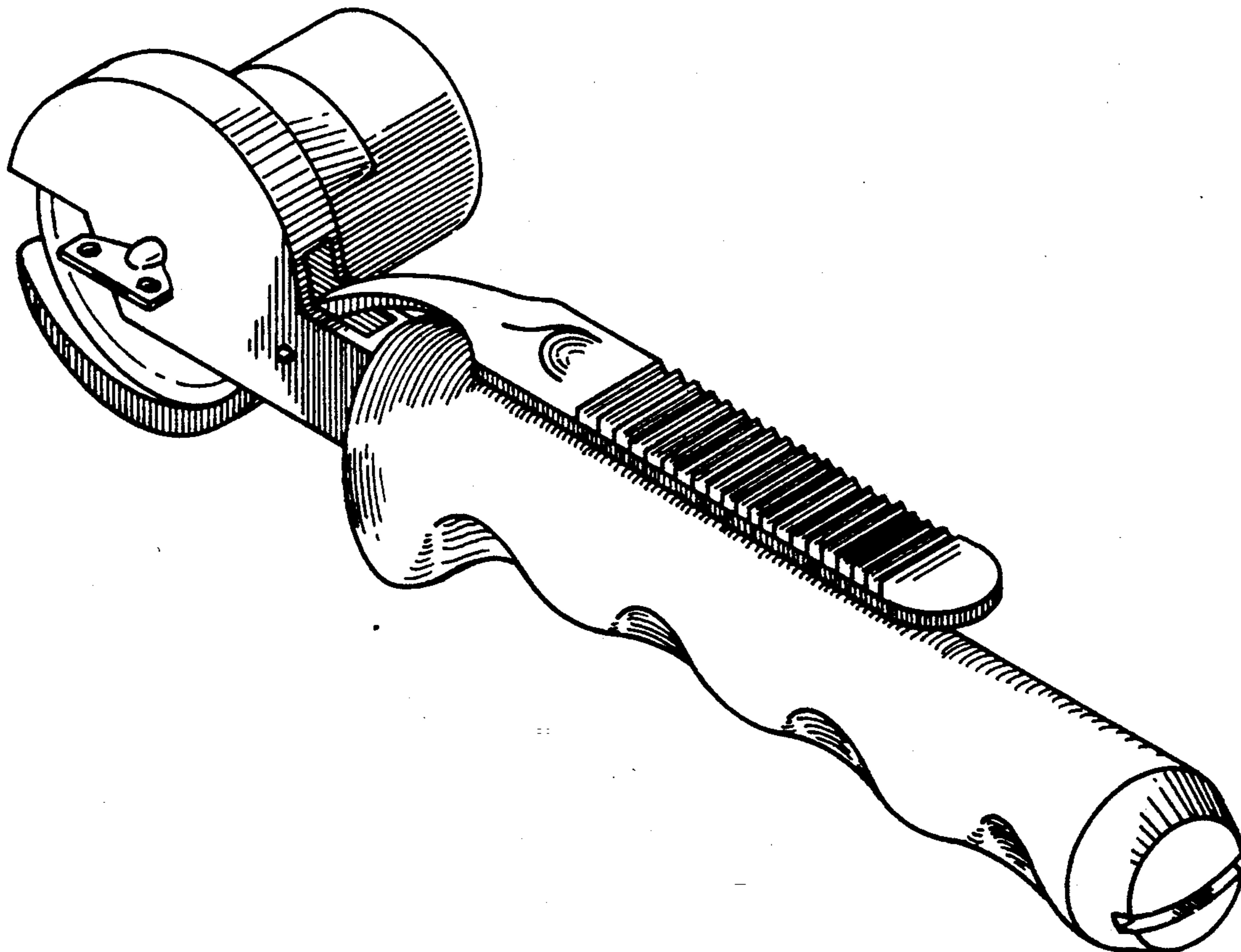
### [56] References Cited

#### U.S. PATENT DOCUMENTS

D. 157,883	3/1950	Maxwell	D8/80
D. 282,142	1/1986	Siravo	D8/66
4,046,148	9/1977	Meador	606/28
4,516,574	5/1985	Hewes	606/29

### DESCRIPTION

FIG. 1 is a top, rear and left side perspective view of a ring cutter showing my new design; FIG. 2 is a front elevational view; FIG. 3 is a top plan view; FIG. 4 is a bottom plan view; FIG. 5 is a right side elevational view; and, FIG. 6 is a left side elevational view thereof.



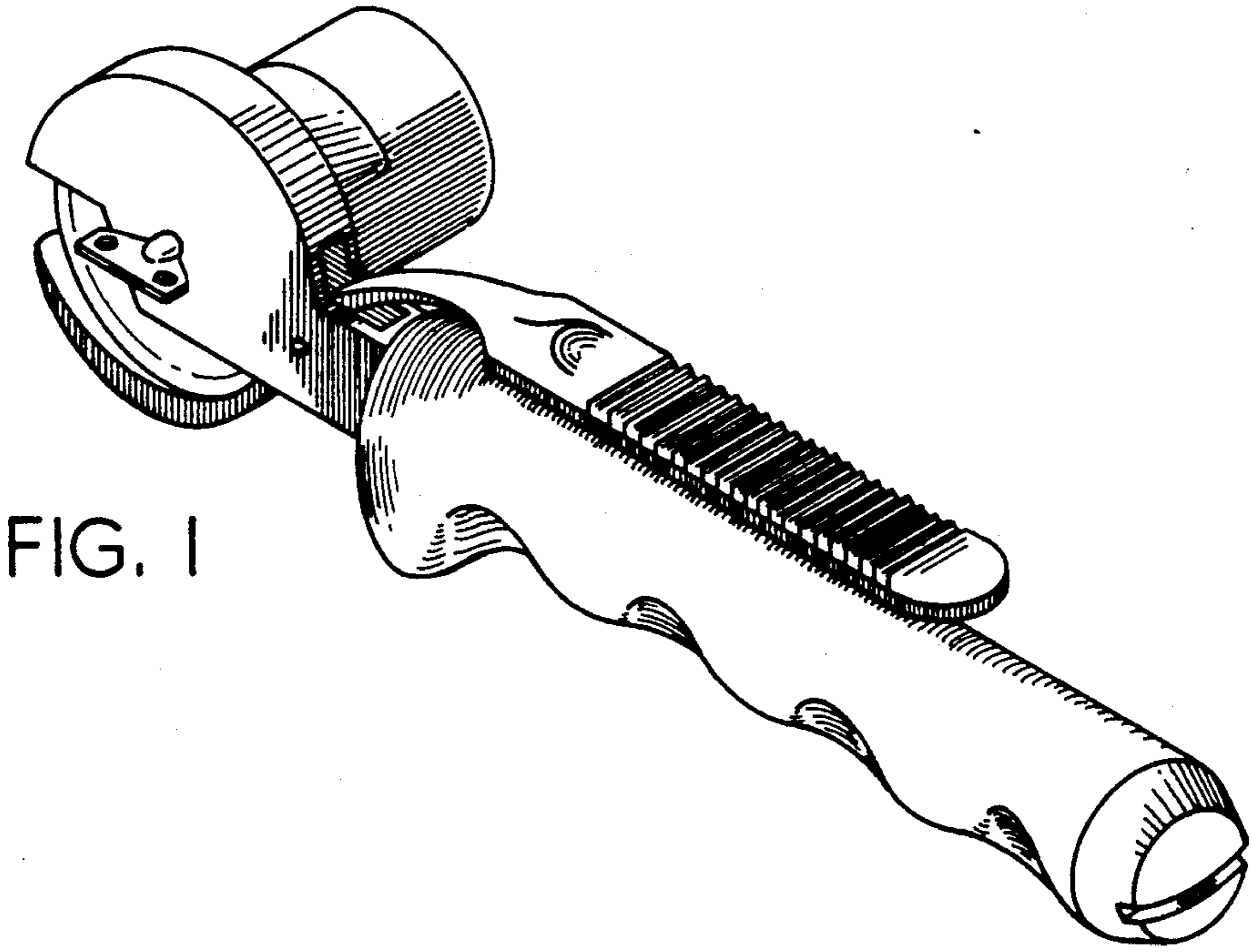


FIG. 1

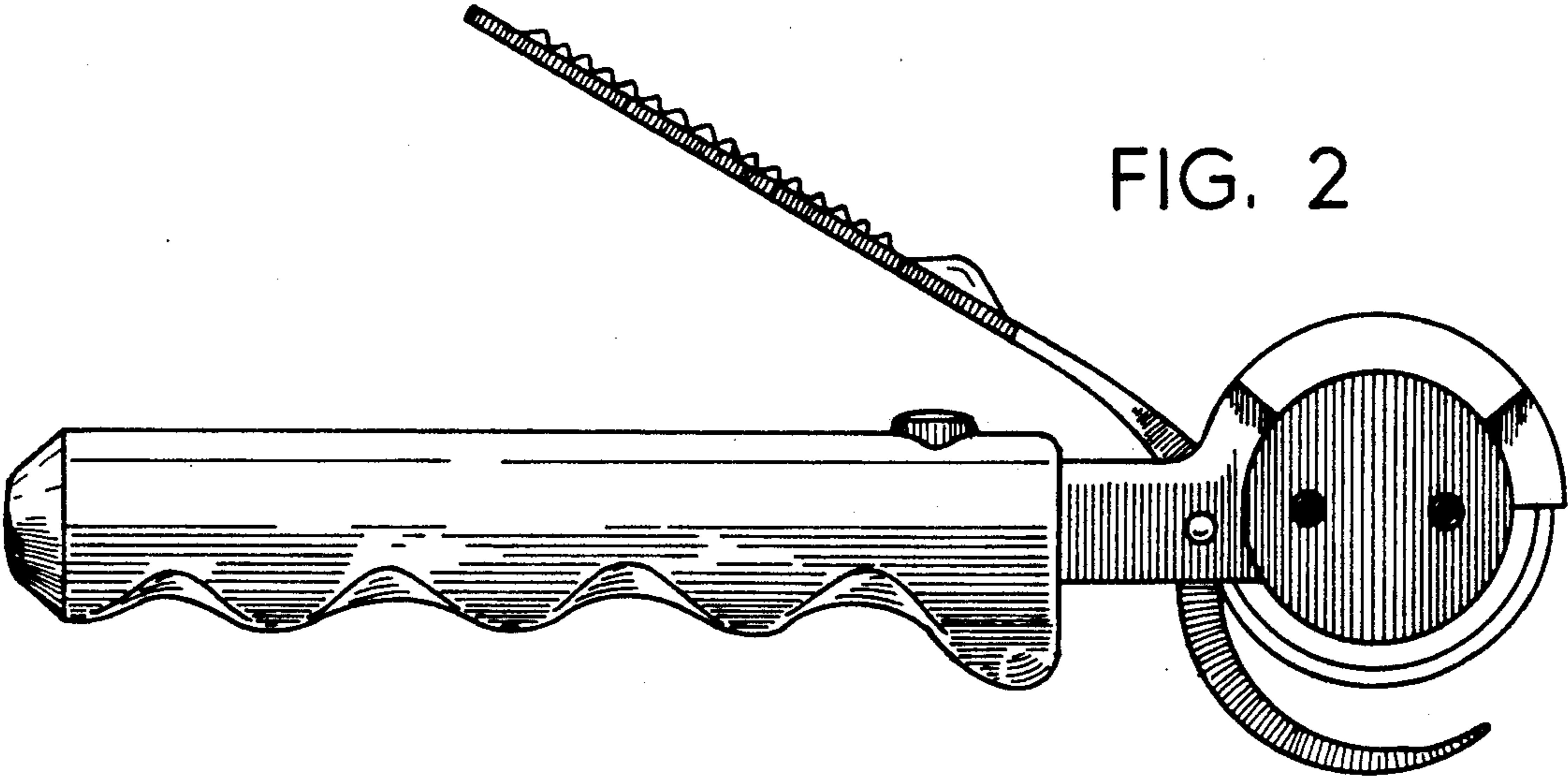


FIG. 2

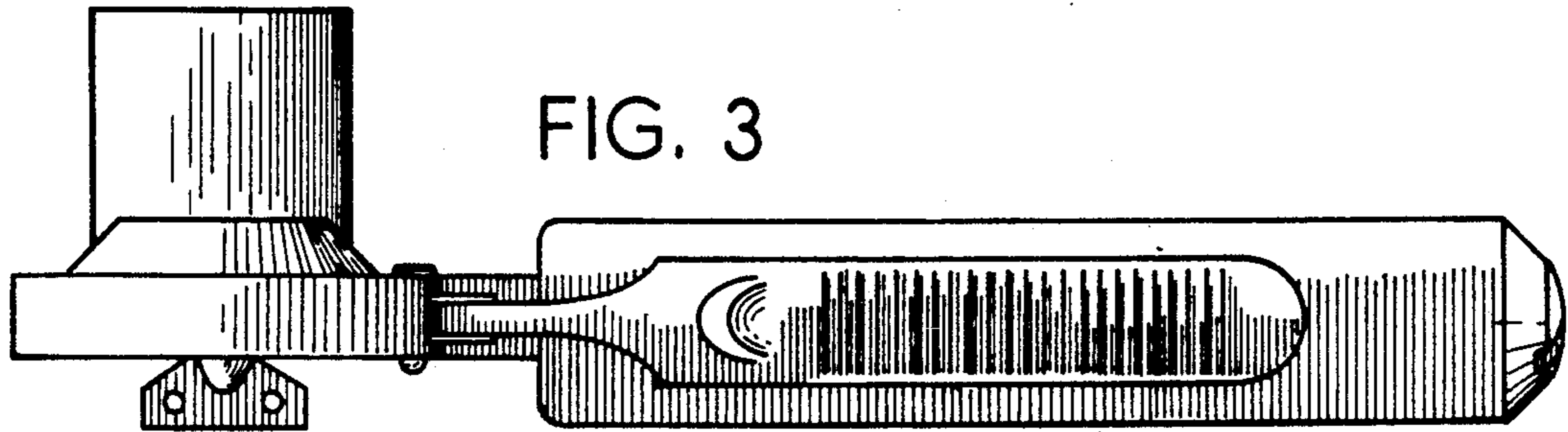


FIG. 3

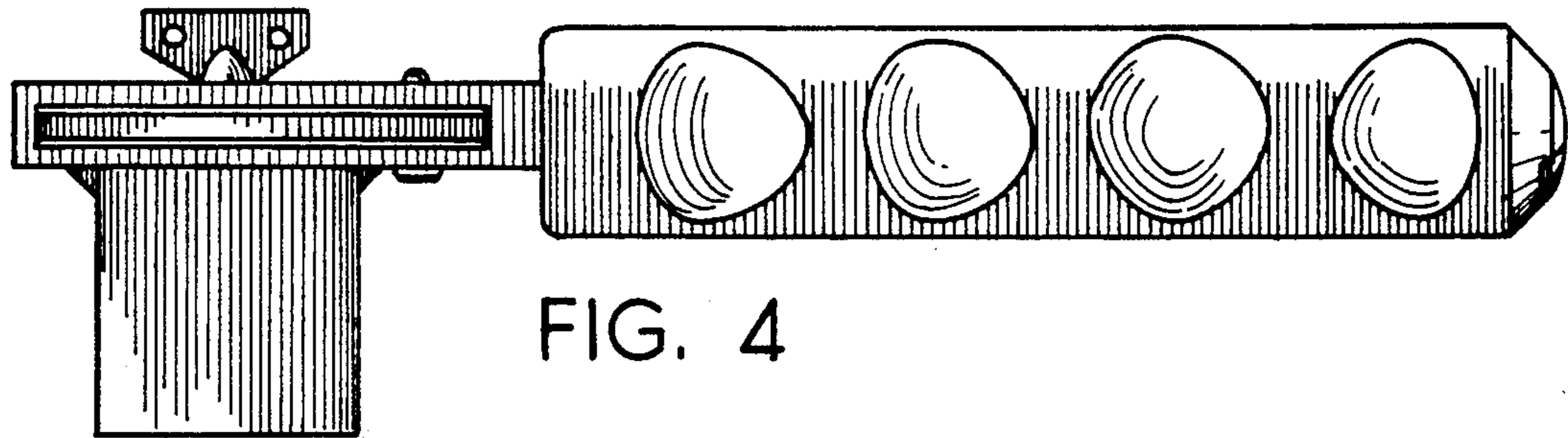


FIG. 4

FIG. 5

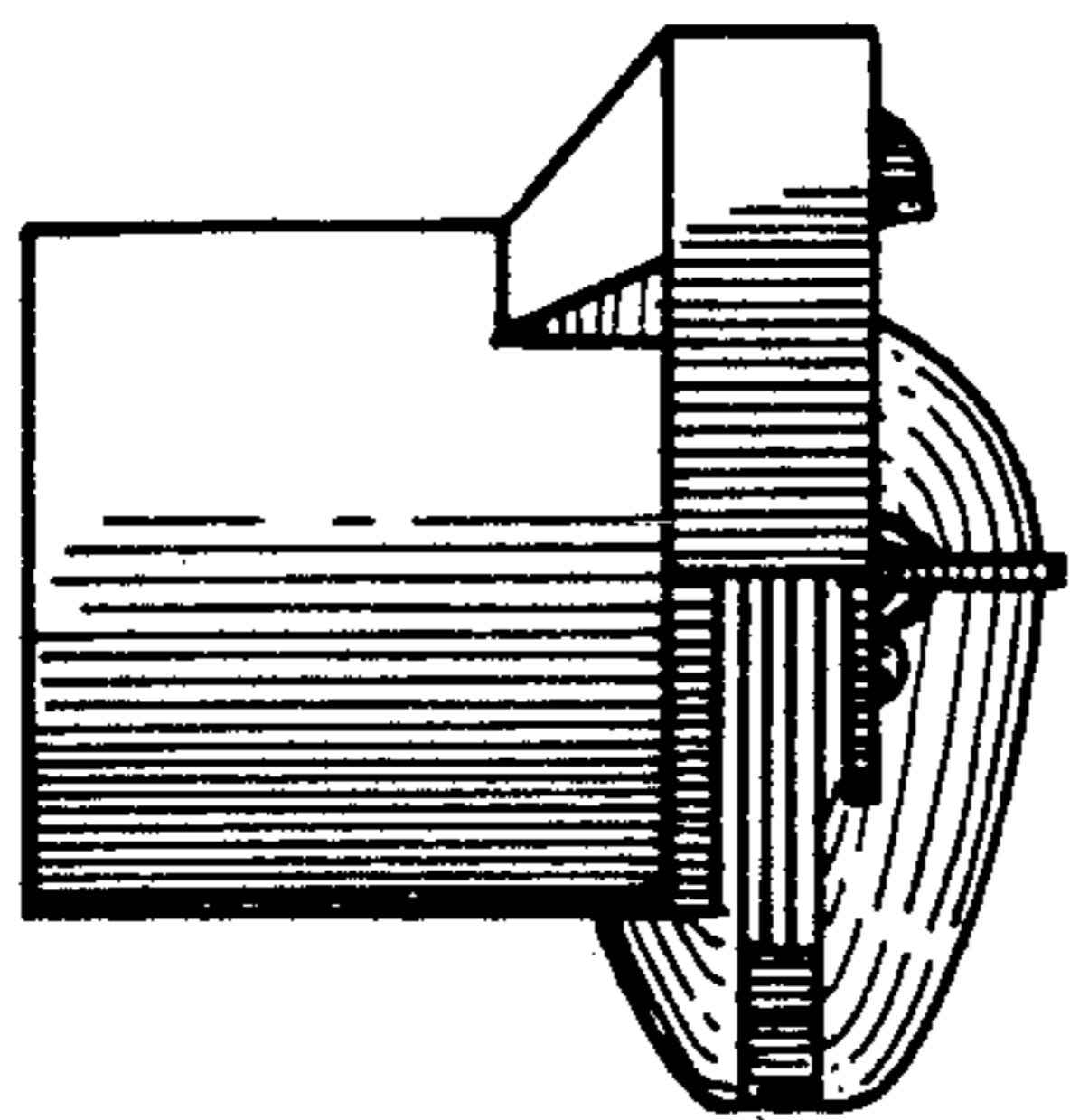


FIG. 6

