



US00D328840S

United States Patent [19]

[11] Patent Number: Des. 328,840

Jensen

[45] Date of Patent: ** Aug. 25, 1992

[54] RATCHET BUCKLE FOR TIGHTENING STRAP

4,185,360	1/1980	Prete, Jr. et al.	24/68 CD
4,199,182	4/1980	Sunesson	24/68 CD
4,324,023	4/1982	Prete, Jr.	24/68 R
4,542,883	9/1985	Rutzki	24/68 CD
4,912,813	4/1990	Müller et al.	24/68 R

[75] Inventor: Richard H. Jensen, Torrance, Calif.

[73] Assignee: Ancra Corporation, Hawthorne, Calif.

[**] Term: 14 Years

[21] Appl. No.: 509,612

[22] Filed: Apr. 16, 1990

[52] U.S. Cl. D8/44

[58] Field of Search D8/14, 44; 24/68 R, 24/68 E, 68 CD

Primary Examiner—Bernard Ansher
Assistant Examiner—Philip Hyder
Attorney, Agent, or Firm—Edward A. Sokolski

[57] CLAIM

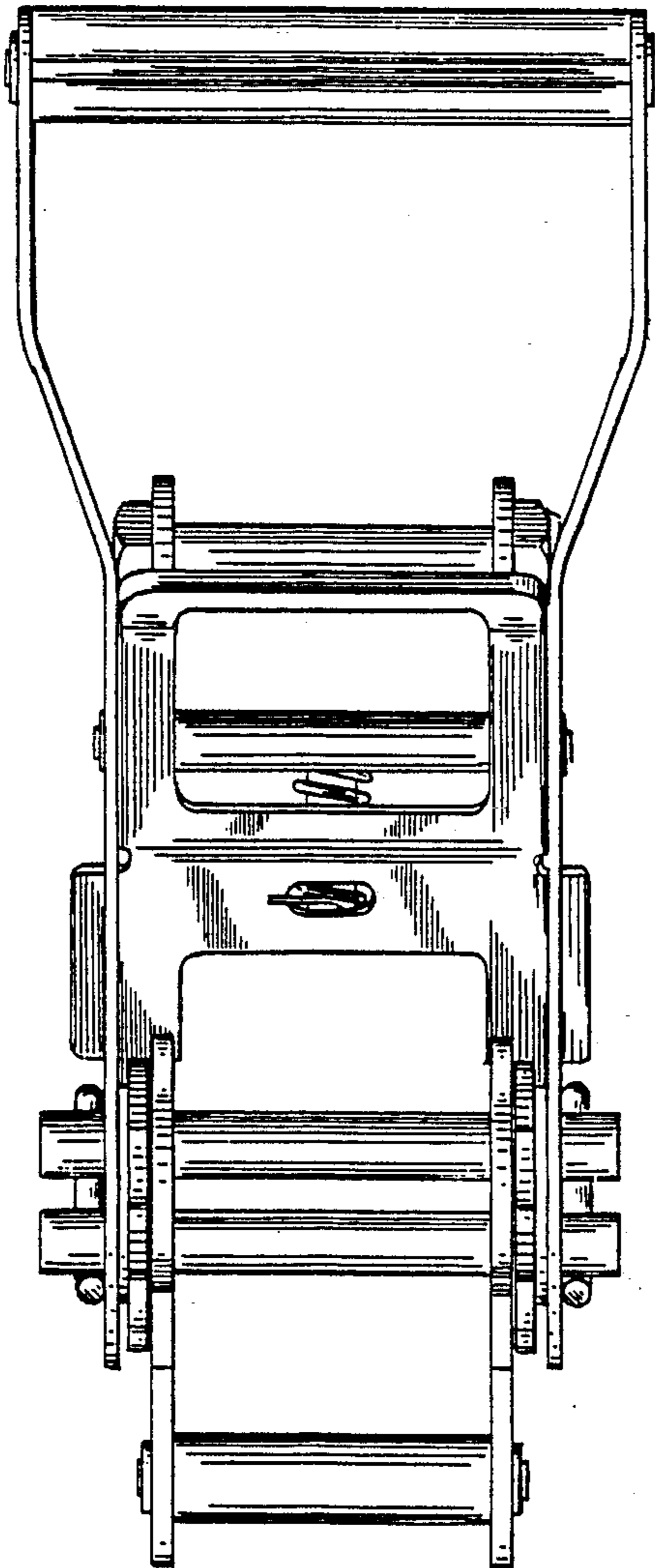
The ornamental design for a ratchet buckle for tightening strap, as shown and described.

DESCRIPTION

FIG. 1 is a top plan view of a ratchet buckle for tightening strap showing my new design;
FIG. 2 is a front elevational view thereof;
FIG. 3 is a rear elevational view thereof;
FIG. 4 is a bottom plan view thereof;
FIG. 5 is a right side elevational view thereof; and,
FIG. 6 is a left side elevational view thereof.

[56] References Cited U.S. PATENT DOCUMENTS

D. 230,464	2/1974	Gale	D8/44
D. 266,828	11/1982	Prete, Jr.	D8/44
3,858,625	1/1975	Banjeglav	D8/44
4,154,427	5/1979	Hofmann	24/68 CD



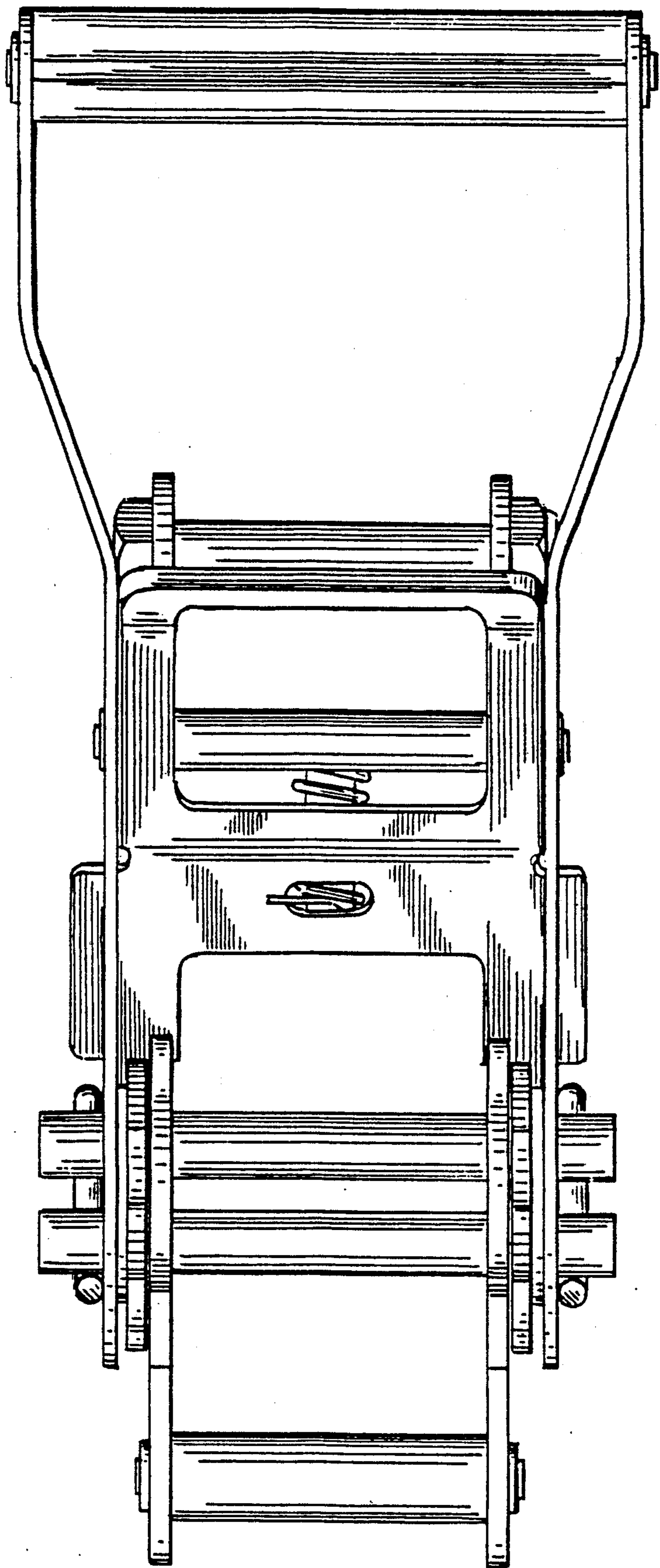


FIG. 1

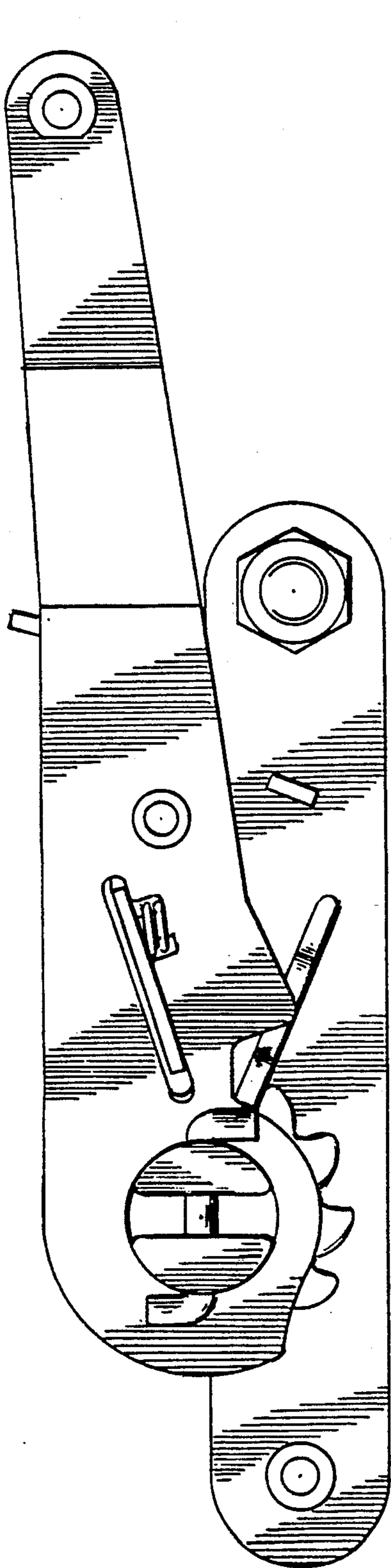


FIG. 2

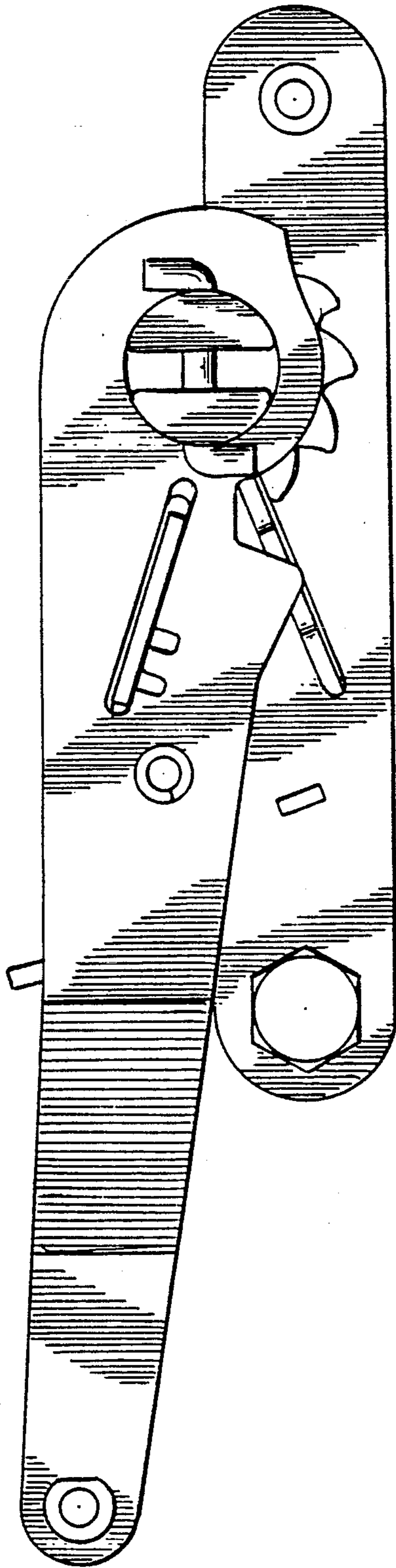


FIG. 3

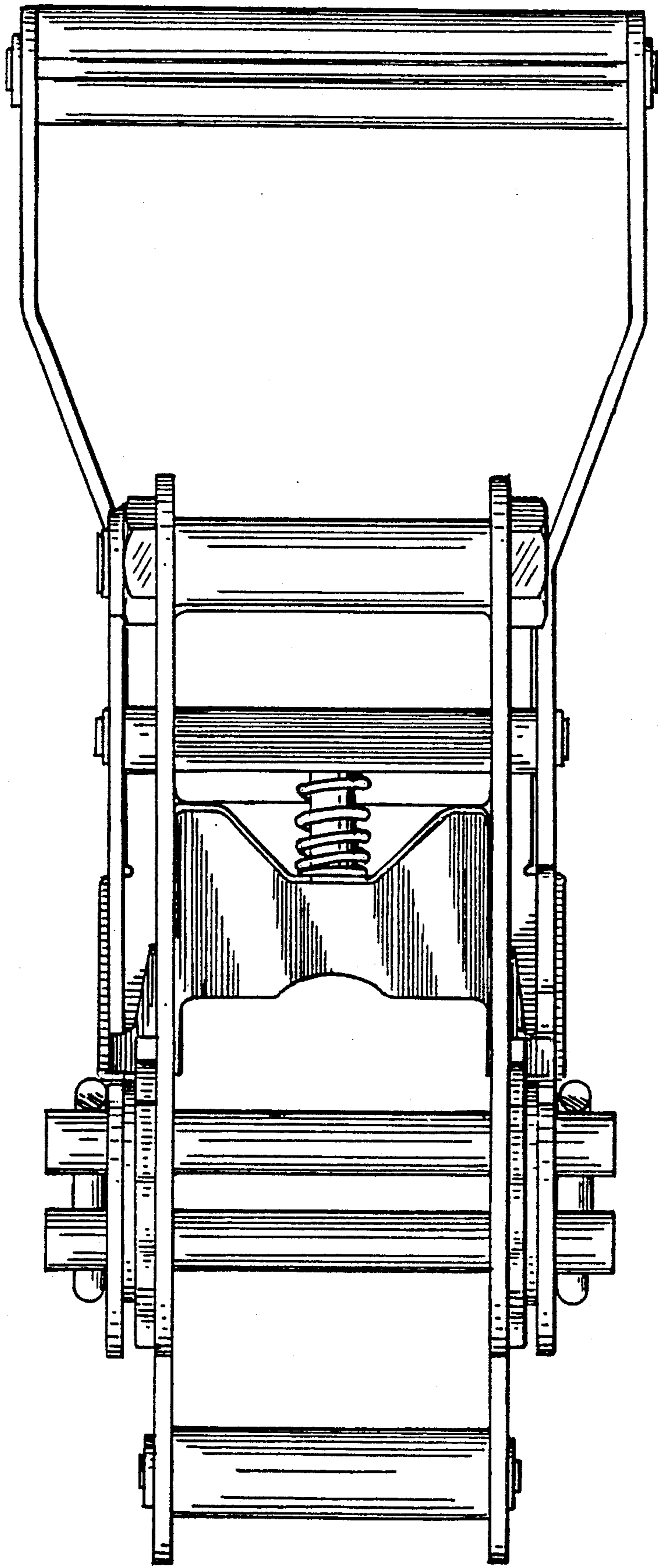


FIG. 4

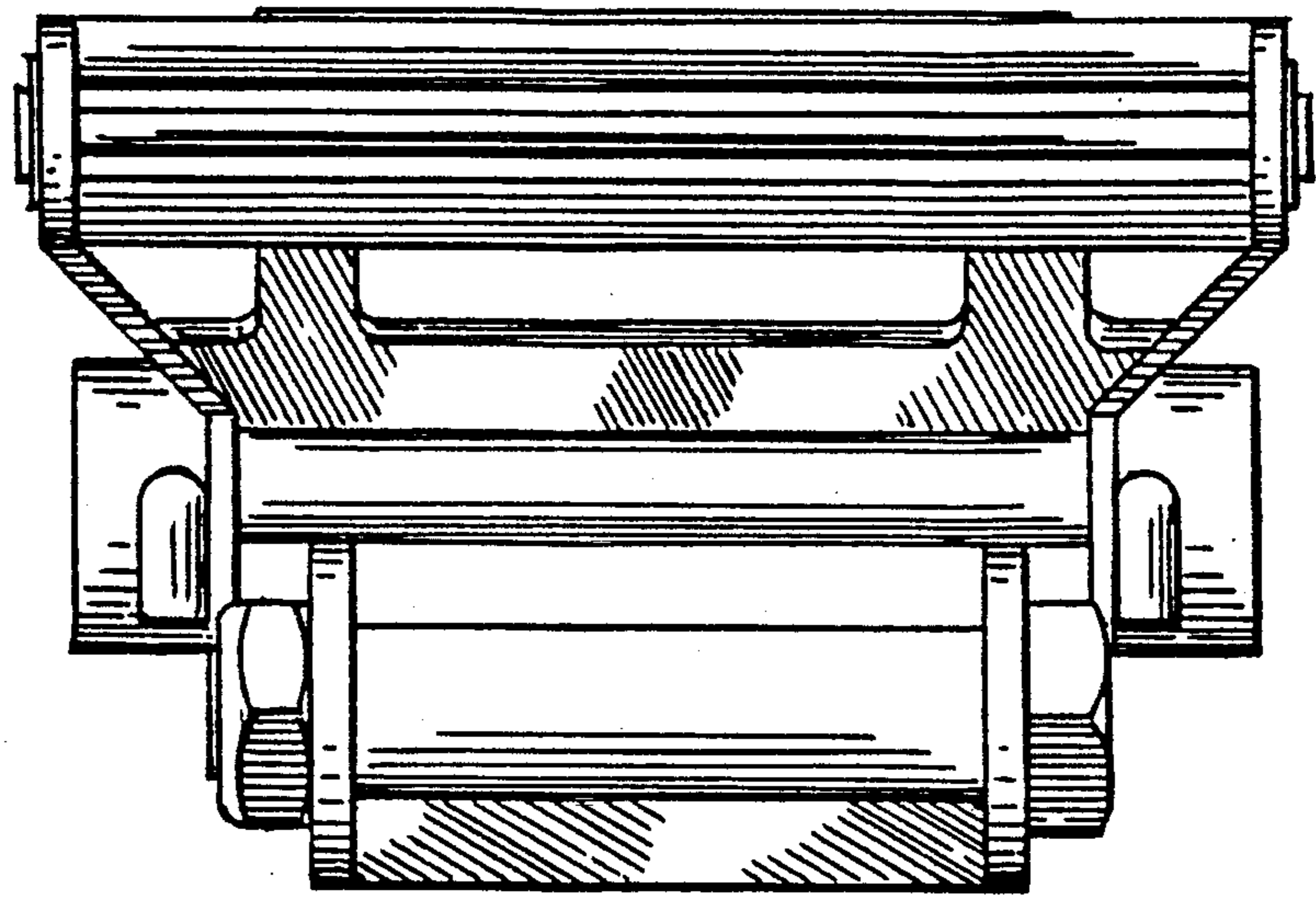


FIG. 5

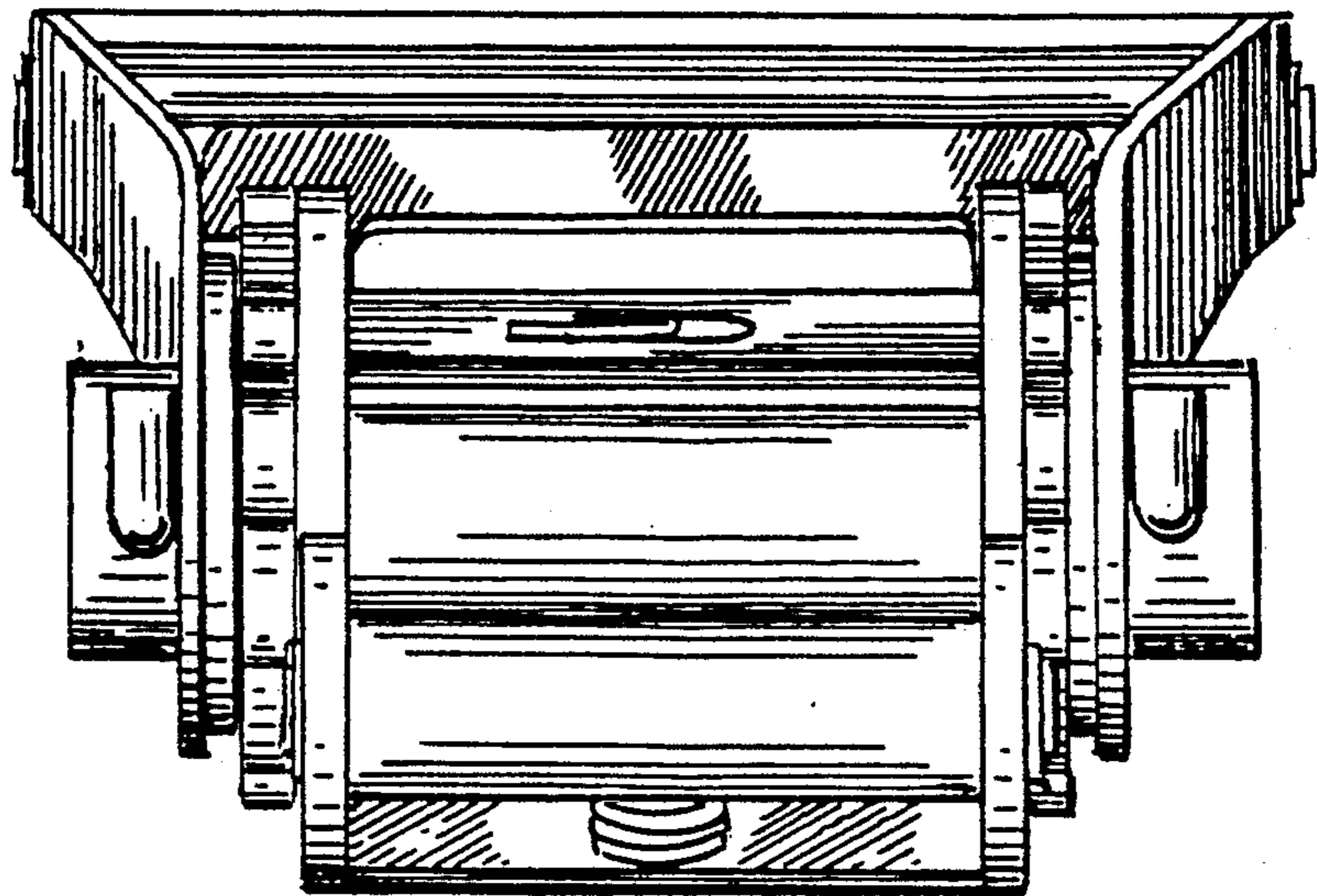


FIG. 6