



US00D328838S

United States Patent [19]

[11] Patent Number: Des. 328,838

Avey et al.

[45] Date of Patent: ** Aug. 25, 1992

[54] COMBINED PLATE AND UTENSIL HOLDER

[56] References Cited

U.S. PATENT DOCUMENTS

- D. 272,202 1/1984 Ring D3/30.1
- D. 294,659 3/1988 Hanna et al. D34/43 X
- 4,248,364 2/1981 Anderson D3/30.1 X

[76] Inventors: Karen V. Avey, P.O. Box 302, Eudora, Kans. 66025; Billie J. Edwards, 13709 W. 77th Ter., Lenexa, Kans. 66216

Primary Examiner—Terry A. Pfeffer
Attorney, Agent, or Firm—Litman, McMahon & Brown

[**] Term: 14 Years

[57] CLAIM

The ornamental design for a combined plate and utensil holder, as shown and described.

[21] Appl. No.: 632,513

DESCRIPTION

[22] Filed: Dec. 24, 1990

FIG. 1 is a top, front, left side perspective view of a combined plate and utensil holder, showing our new design;

[52] U.S. Cl. D7/638; D3/30.1; D32/37; D34/43

FIG. 2 is a left side elevational view thereof, the right side being a mirror image thereof;

[58] Field of Search D7/637-641; D32/35-37; D34/40, 42, 43; 206/553; 211/60.1, 70.6, 70.7; 220/1.5; D3/30.1

FIG. 3 is a top plan view thereof;

FIG. 4 is a front elevational view thereof; the rear elevation being a mirror image thereof; and,

FIG. 5 is a bottom plan view thereof.

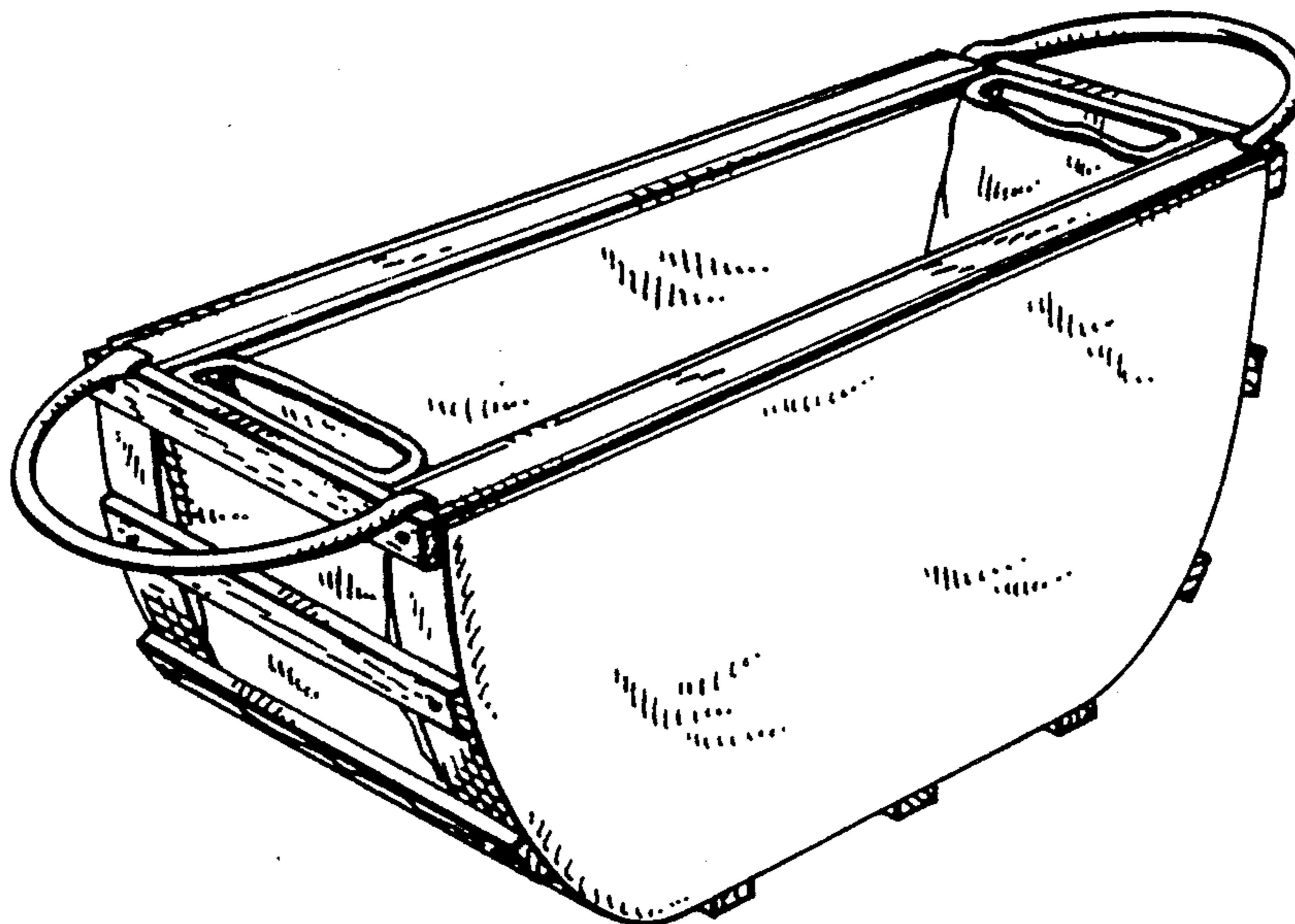


Fig. 1.

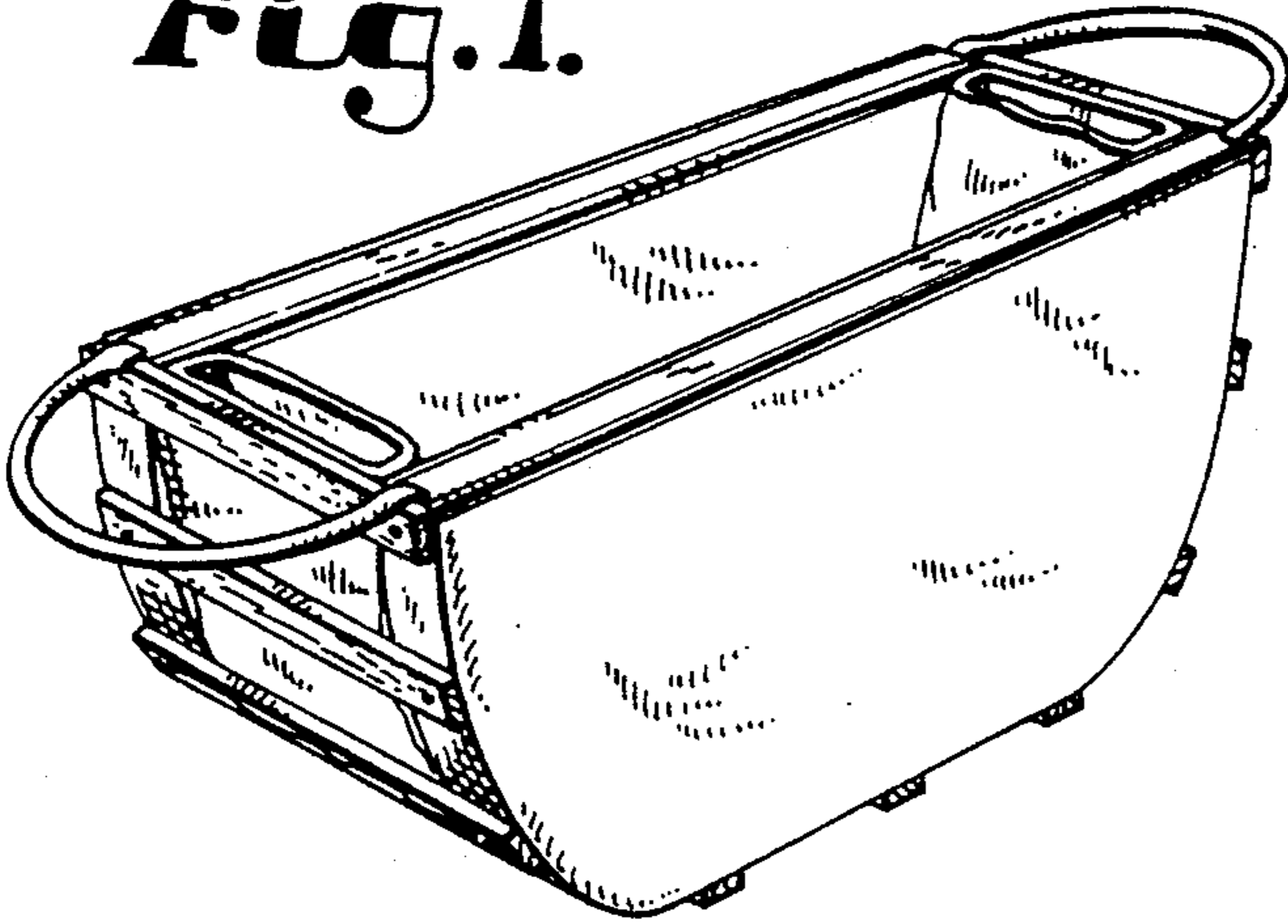


Fig. 2.

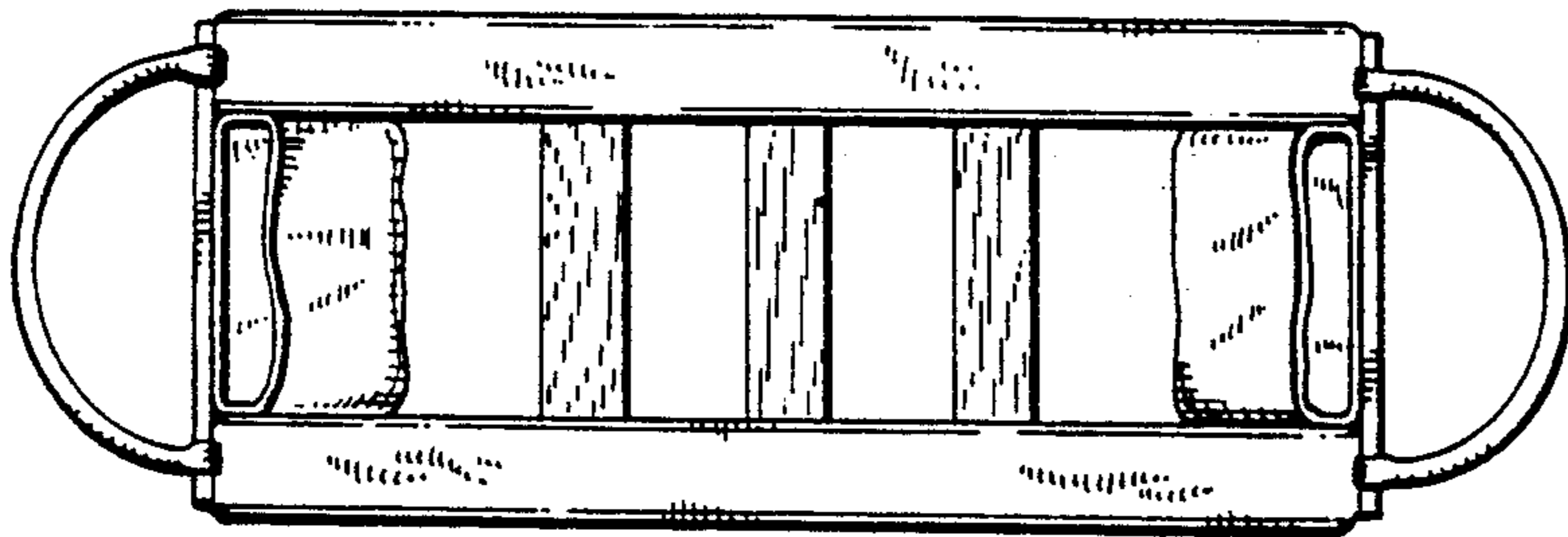
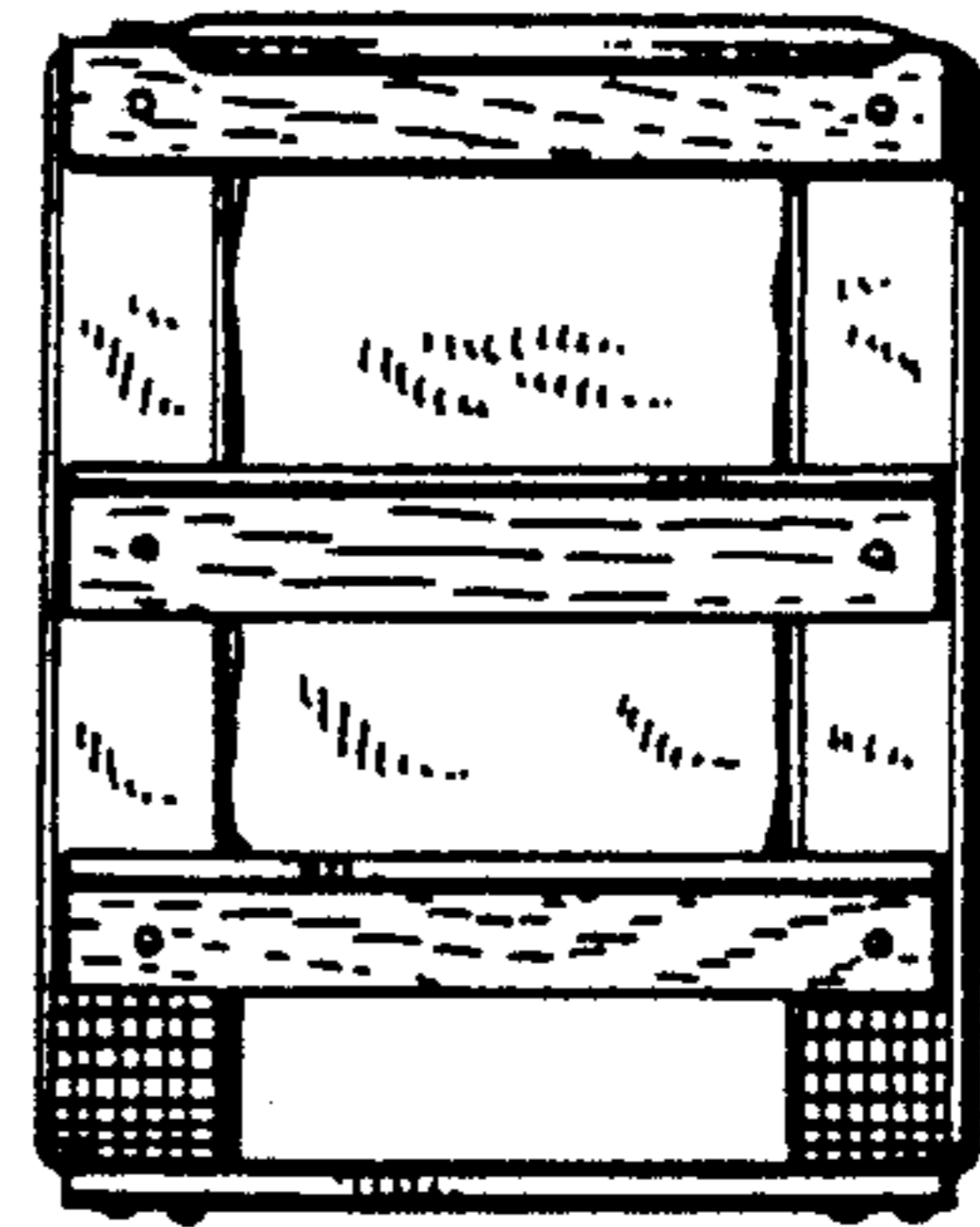


Fig. 3.

Fig. 4.

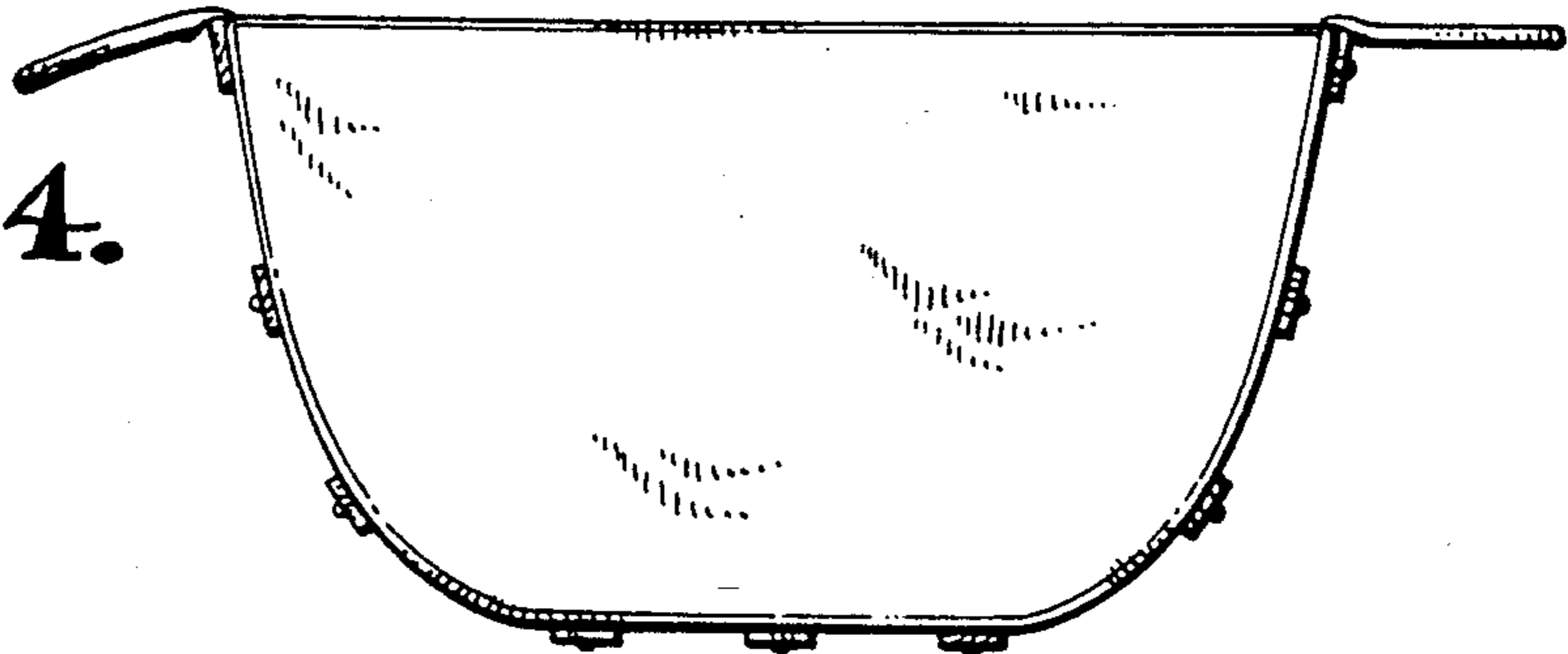


Fig. 5.

