



US00D328835S

United States Patent [19]

Schneider

[11] Patent Number: **Des. 328,835**

[45] Date of Patent: **** Aug. 25, 1992**

[54] TOP FOR A CANISTER

[75] Inventor: **Bernardus J. J. A. Schneider,**
Delfgauw, Netherlands

[73] Assignee: **Vacu-Products B.V., Delft,**
Netherlands

[**] Term: **14 Years**

[21] Appl. No.: **495,534**

[22] Filed: **Mar. 19, 1990**

[30] **Foreign Application Priority Data**

Sep. 28, 1989 [XB] Benelux	19238-00
[52] U.S. Cl.	D7/391; D7/612
[58] Field of Search	D7/354, 387, 391-392, D7/612-615, 629; D9/434, 355, 352-353, 425; 220/200, 352, 523

[56] **References Cited**

U.S. PATENT DOCUMENTS

D. 305,493	1/1990	Ryser	D7/391
D. 309,710	8/1990	Groves	D9/352

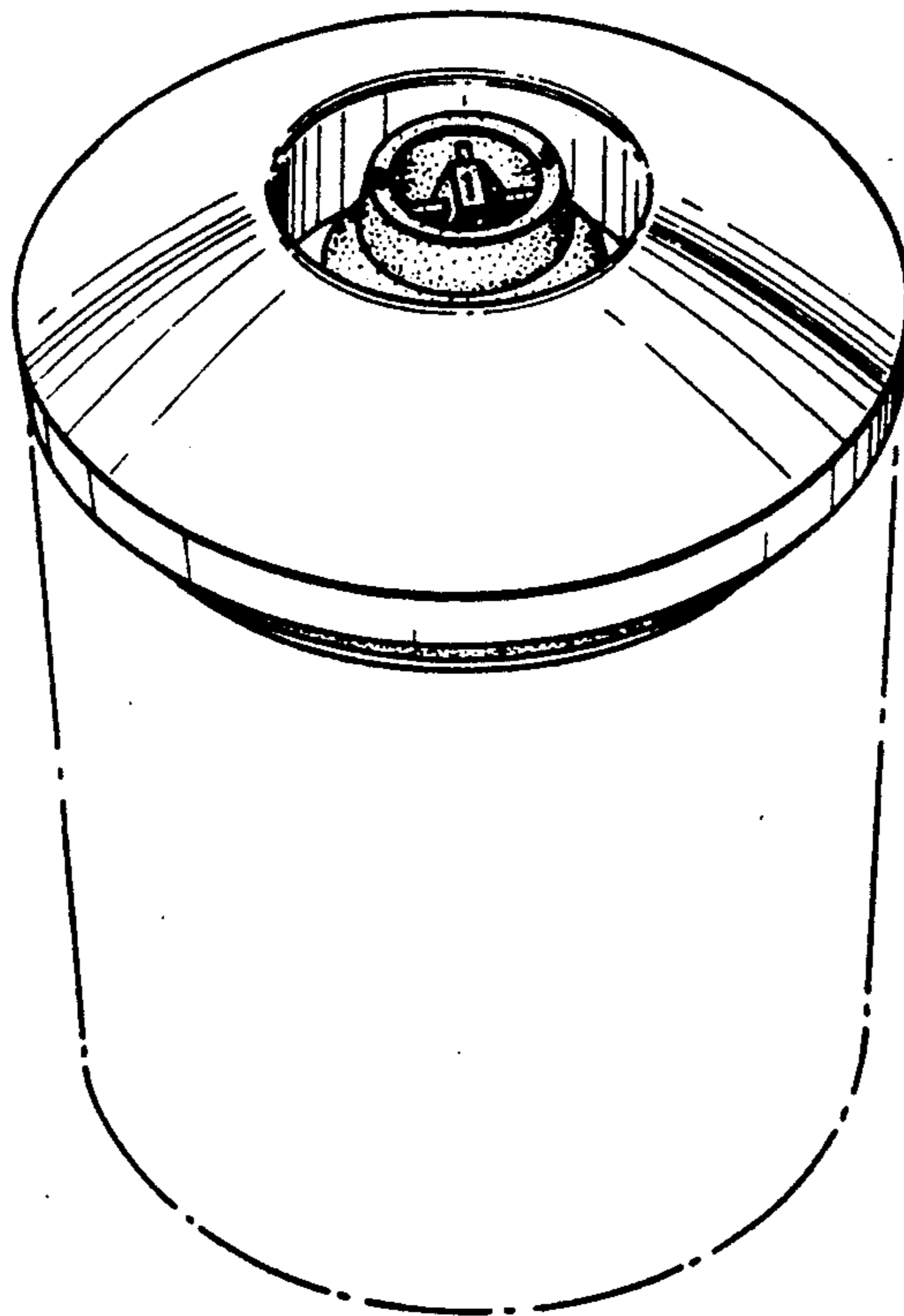
Primary Examiner—Terry A. Pfeffer
Attorney, Agent, or Firm—Mason, Fenwick & Lawrence

[57] **CLAIM**

The ornamental design for a top for a canister, as shown and described.

DESCRIPTION

FIG. 1 is a top perspective view of a top for a canister showing my new design; the canister is shown in broken lines for illustrative purposes only;
 FIG. 2 is a top plan view thereof;
 FIG. 3 is a bottom plan view thereof;
 FIG. 4 is a front elevational view thereof taken along line 4—4 of FIG. 2; and,
 FIG. 5 is a side elevational view thereof taken along line 5—5 of FIG. 2.



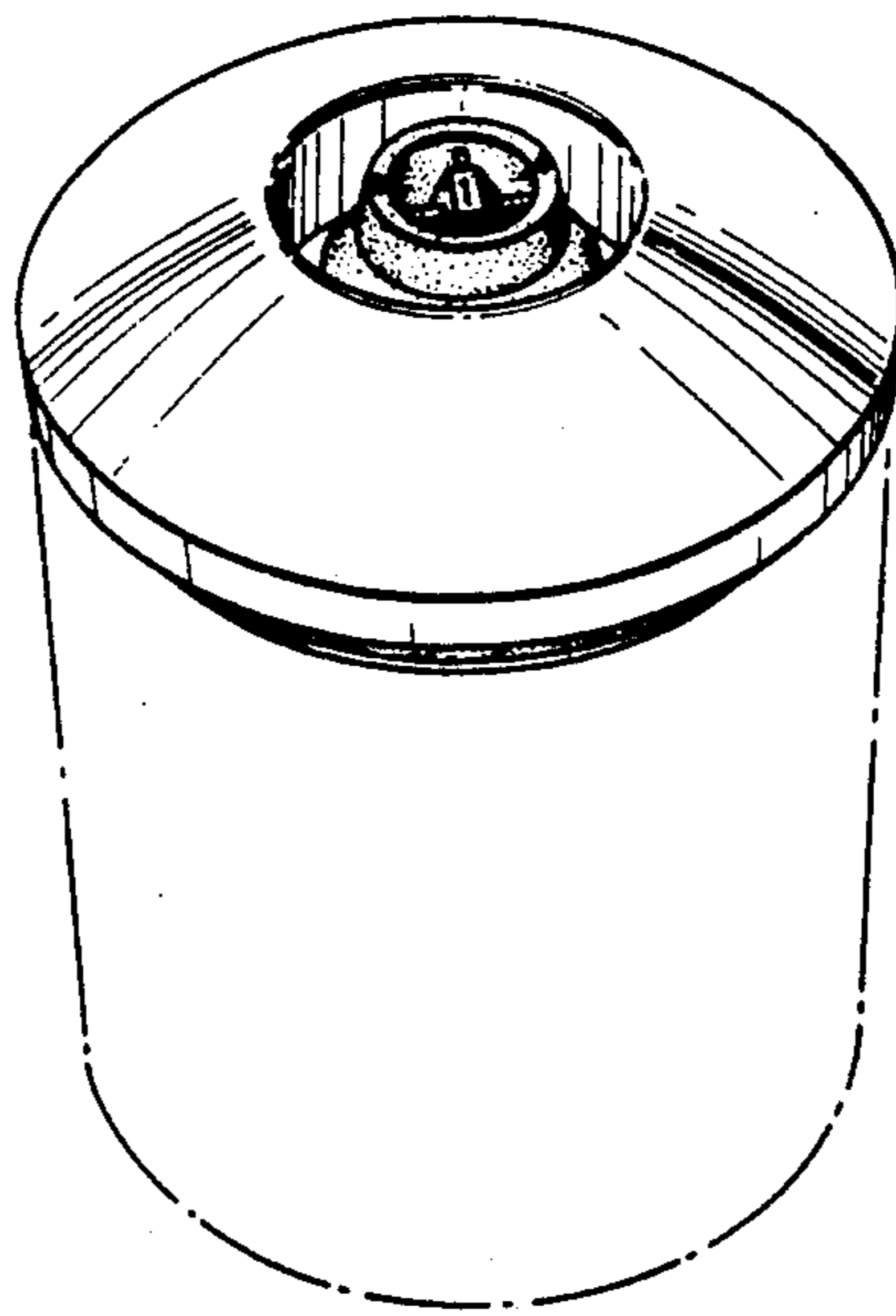


FIG. 1

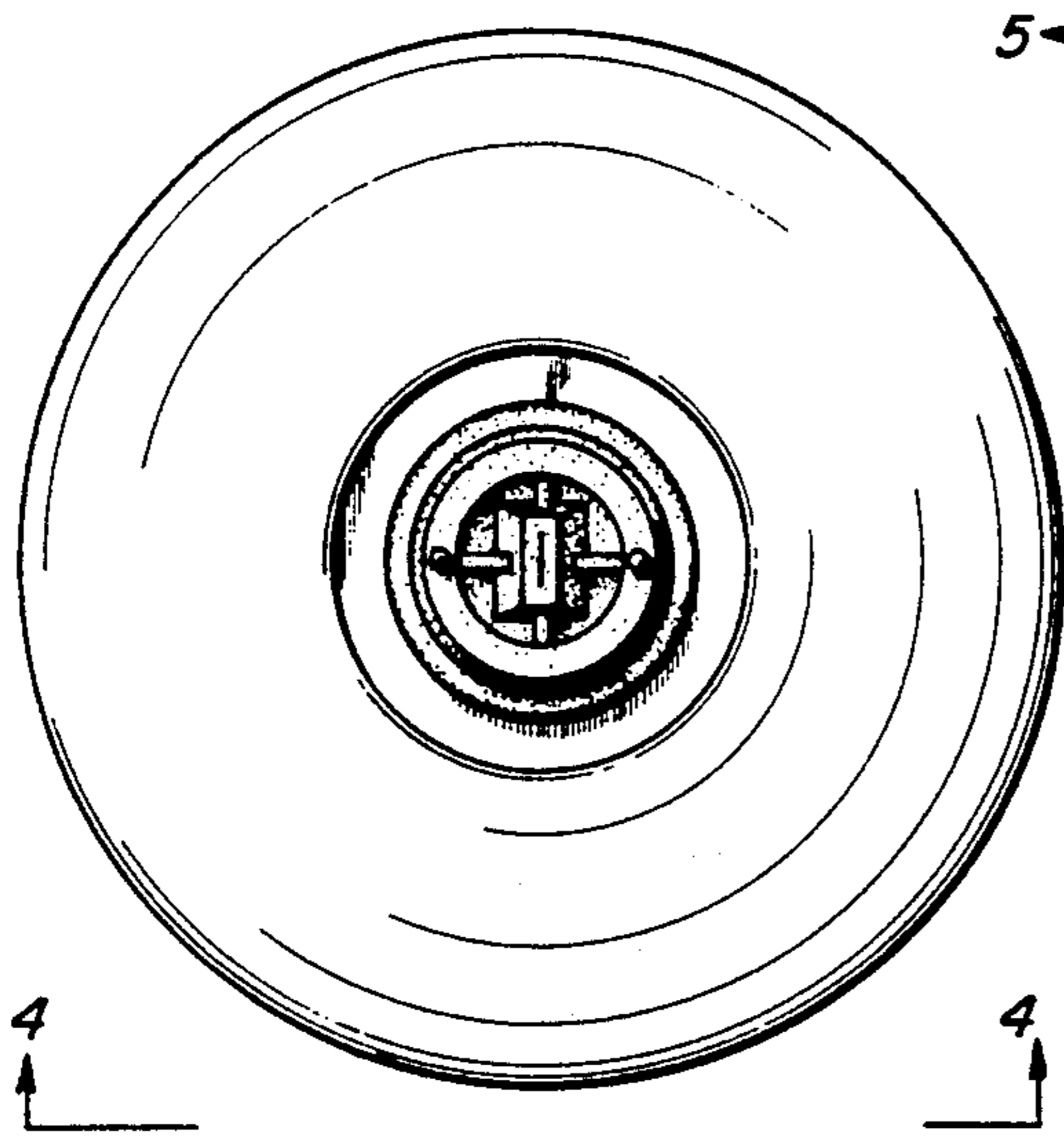


FIG. 2

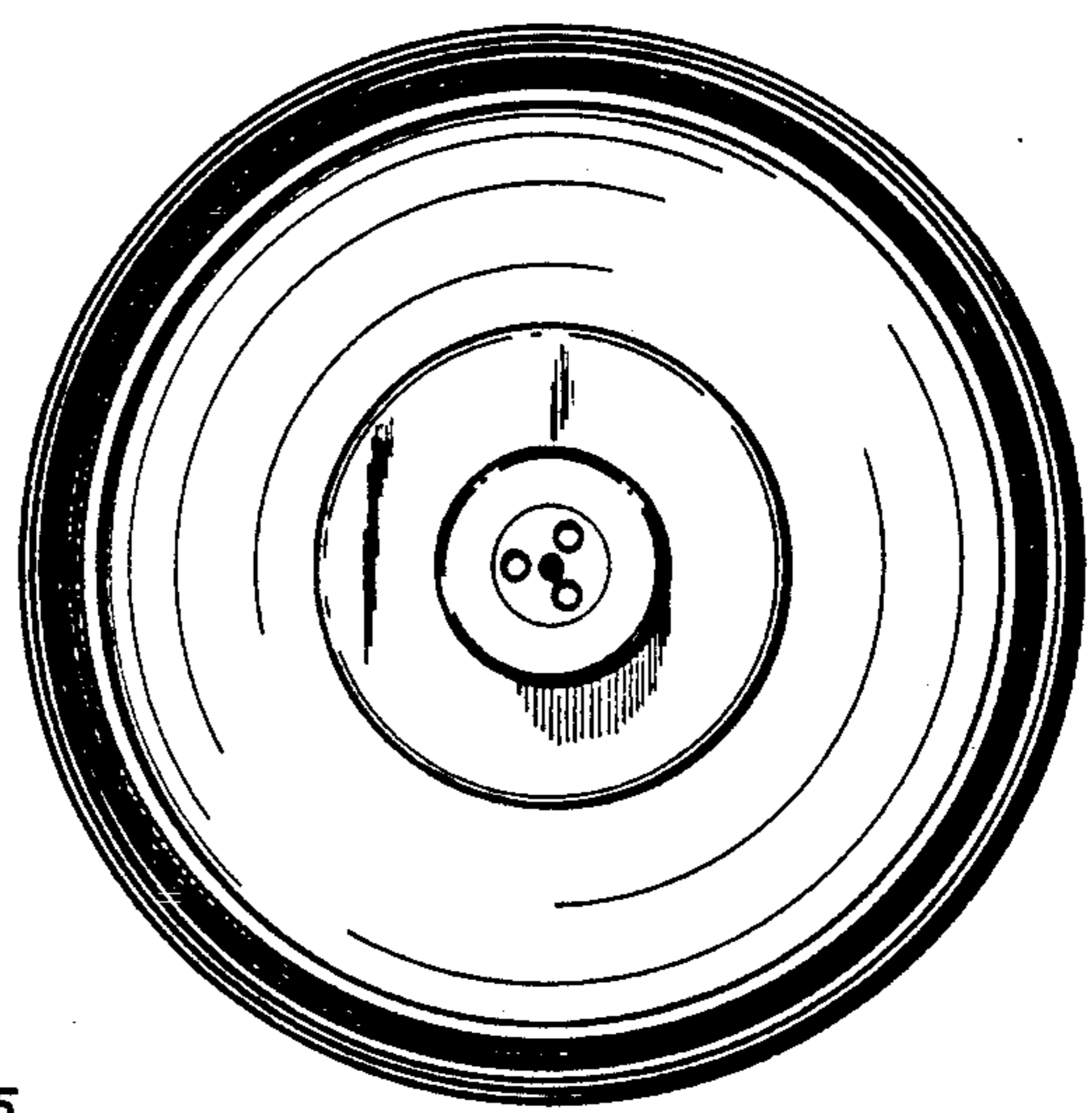


FIG. 3

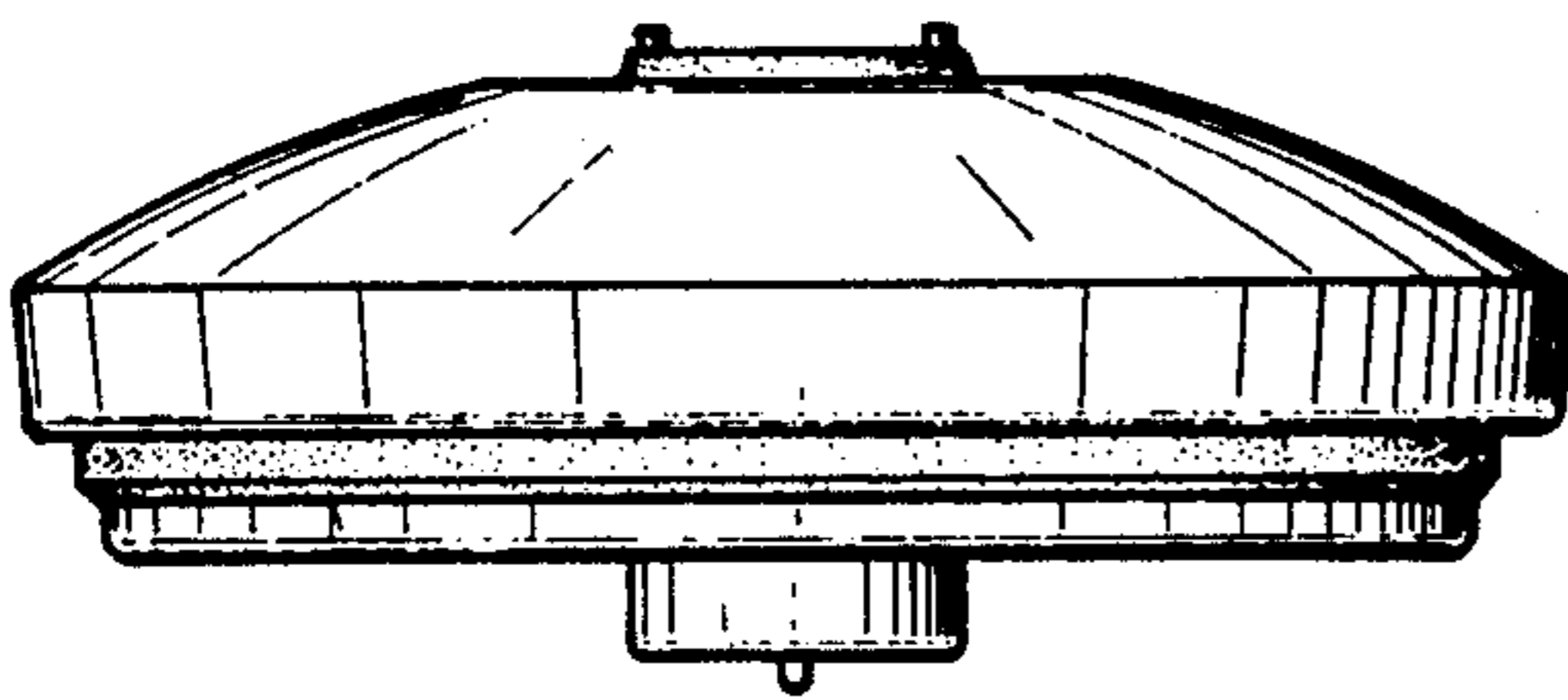


FIG. 4

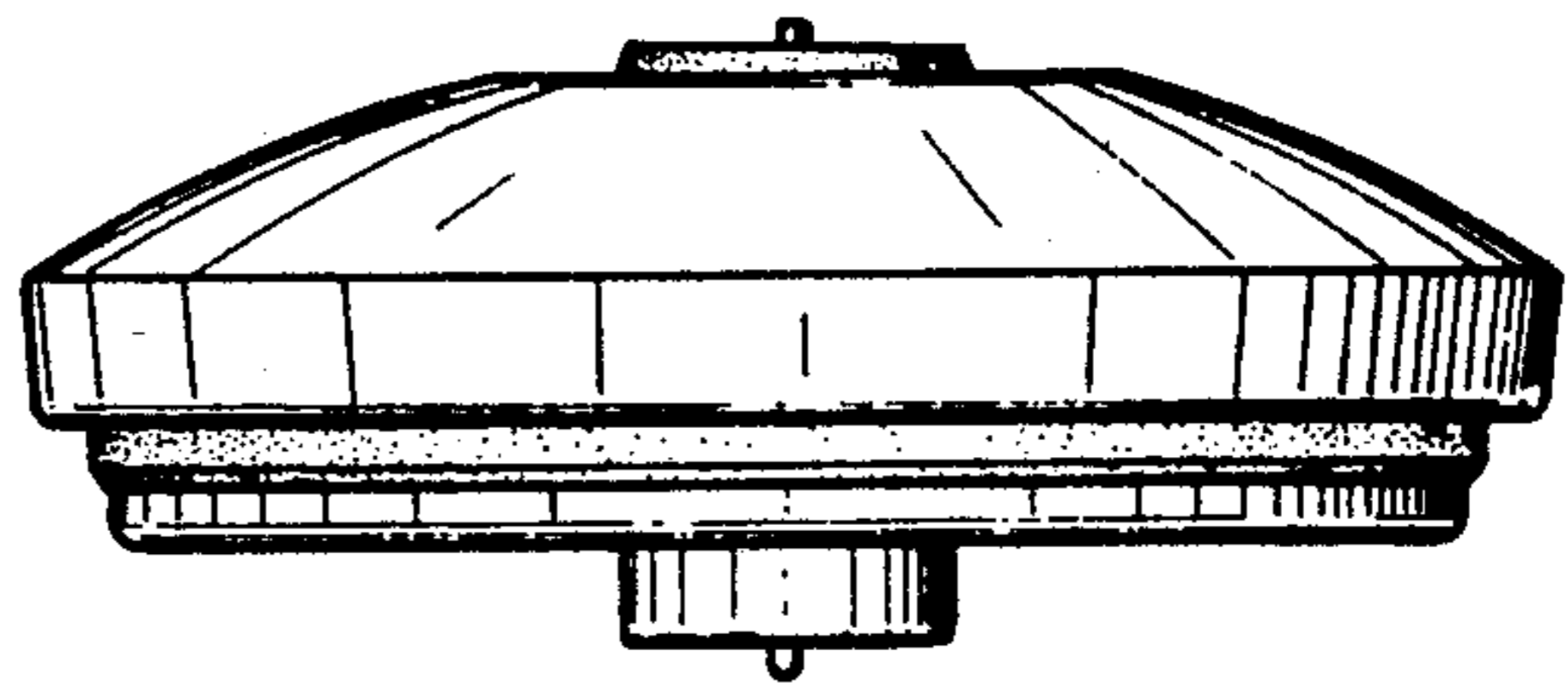


FIG. 5