



US00D328834S

United States Patent [19]

[11] Patent Number: **Des. 328,834**

Chang

[45] Date of Patent: **** Aug. 25, 1992**

[54] **PORTABLE CONVECTION OVEN**

D. 293,539 1/1988 Nishikawa D7/337
D. 302,095 7/1989 Nishikawa D7/350

[76] Inventor: **Chung-Yuan Chang**, 10119 Tres Lagos Ct., Chula Vista, Calif. 92010

Primary Examiner—A. Hugo Word
Assistant Examiner—Ruth McInroy
Attorney, Agent, or Firm—Charles C. Logan, II

[**] Term: **14 Years**

[21] Appl. No.: **490,994**

[57] **CLAIM**

[22] Filed: **Mar. 9, 1990**

The ornamental design for a portable convection oven, as shown and described.

[52] U.S. Cl. **D7/348**

[58] Field of Search **D7/323, 331, 347, 348, D7/350-351, 358; 126/274, 275 R, 275 E, 273 R; 219/400, 402, 412, 413, 414, 433; 99/403, 330**

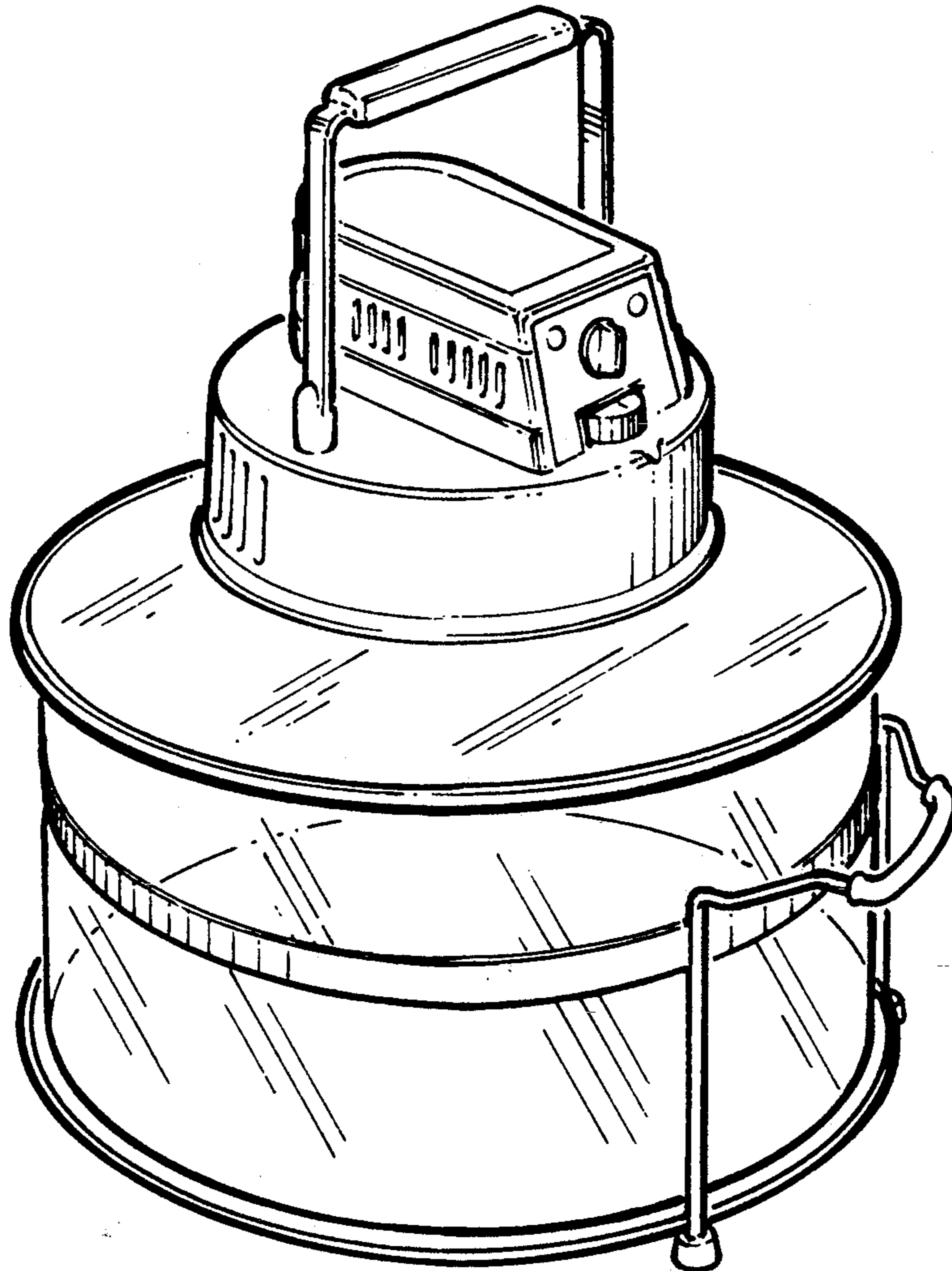
DESCRIPTION

FIG. 1 is a front perspective view of a portable convection oven showing my new design; FIG. 2 is a top plan view thereof; FIG. 3 is a front elevational view thereof; FIG. 4 is a left side elevational view thereof, the right side being a mirror image; and, FIG. 5 is a bottom plan view thereof.

[56] **References Cited**

U.S. PATENT DOCUMENTS

D. 133,344 8/1942 Austin D7/365



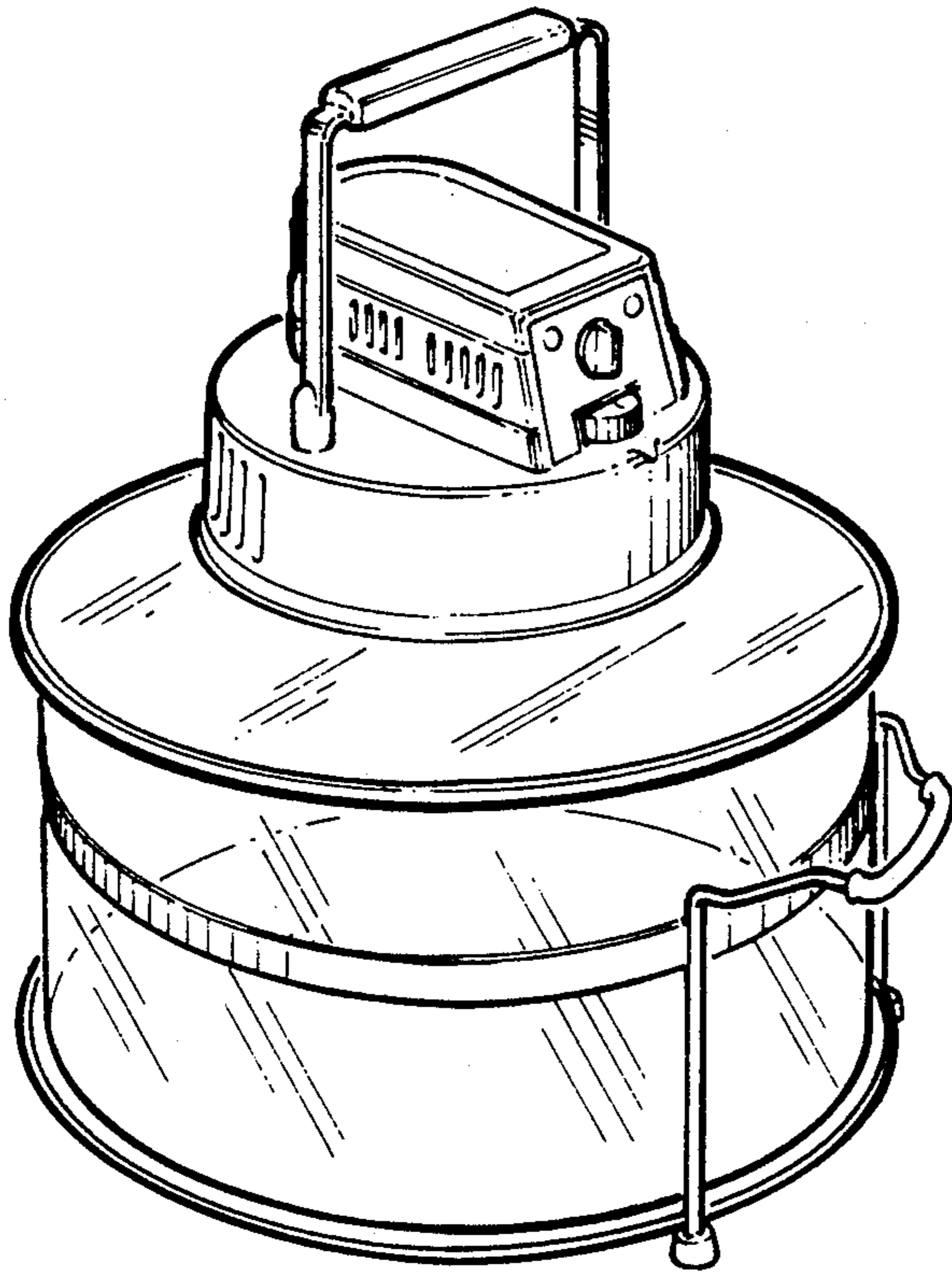


FIGURE 1

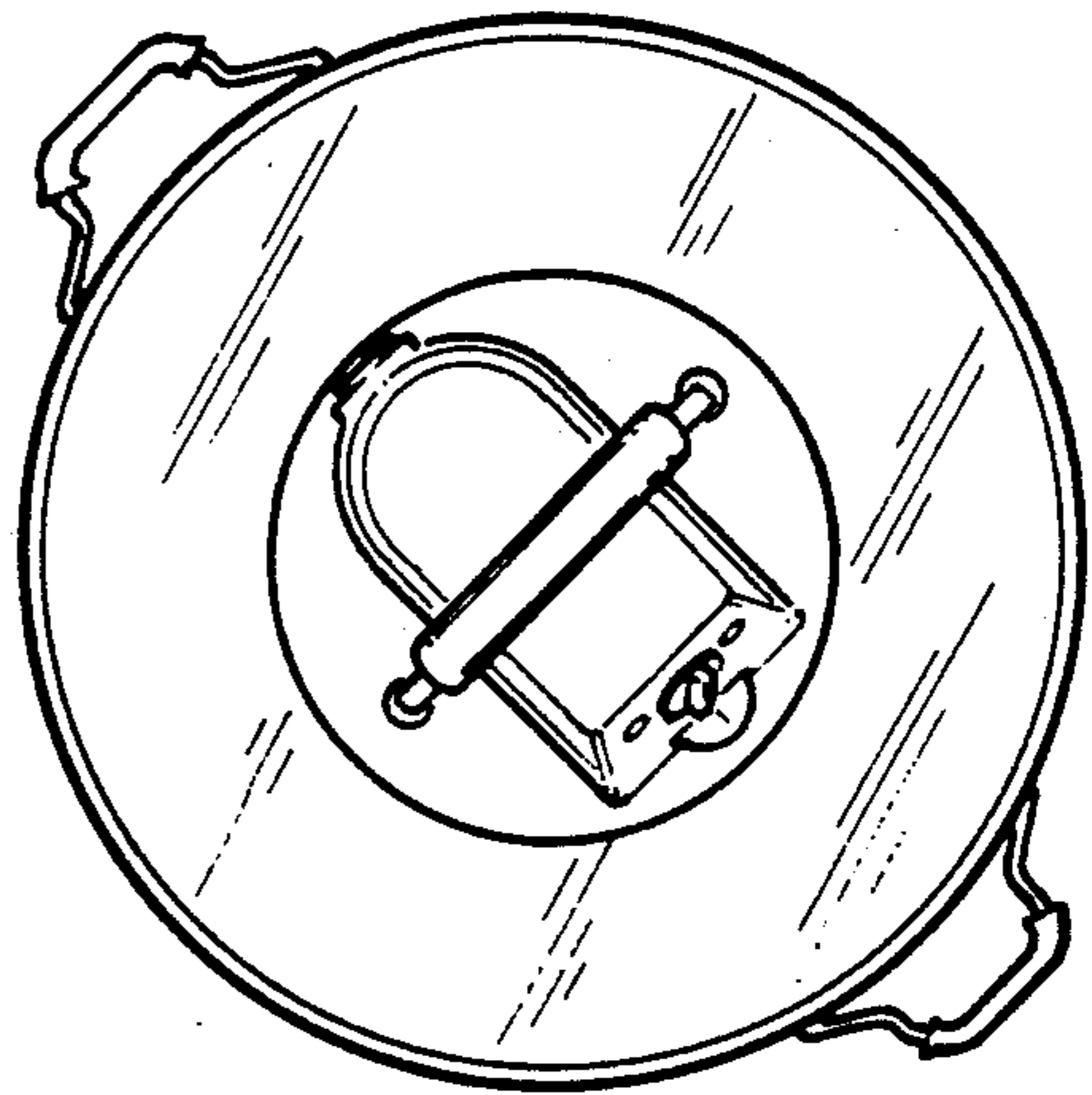


FIGURE 2

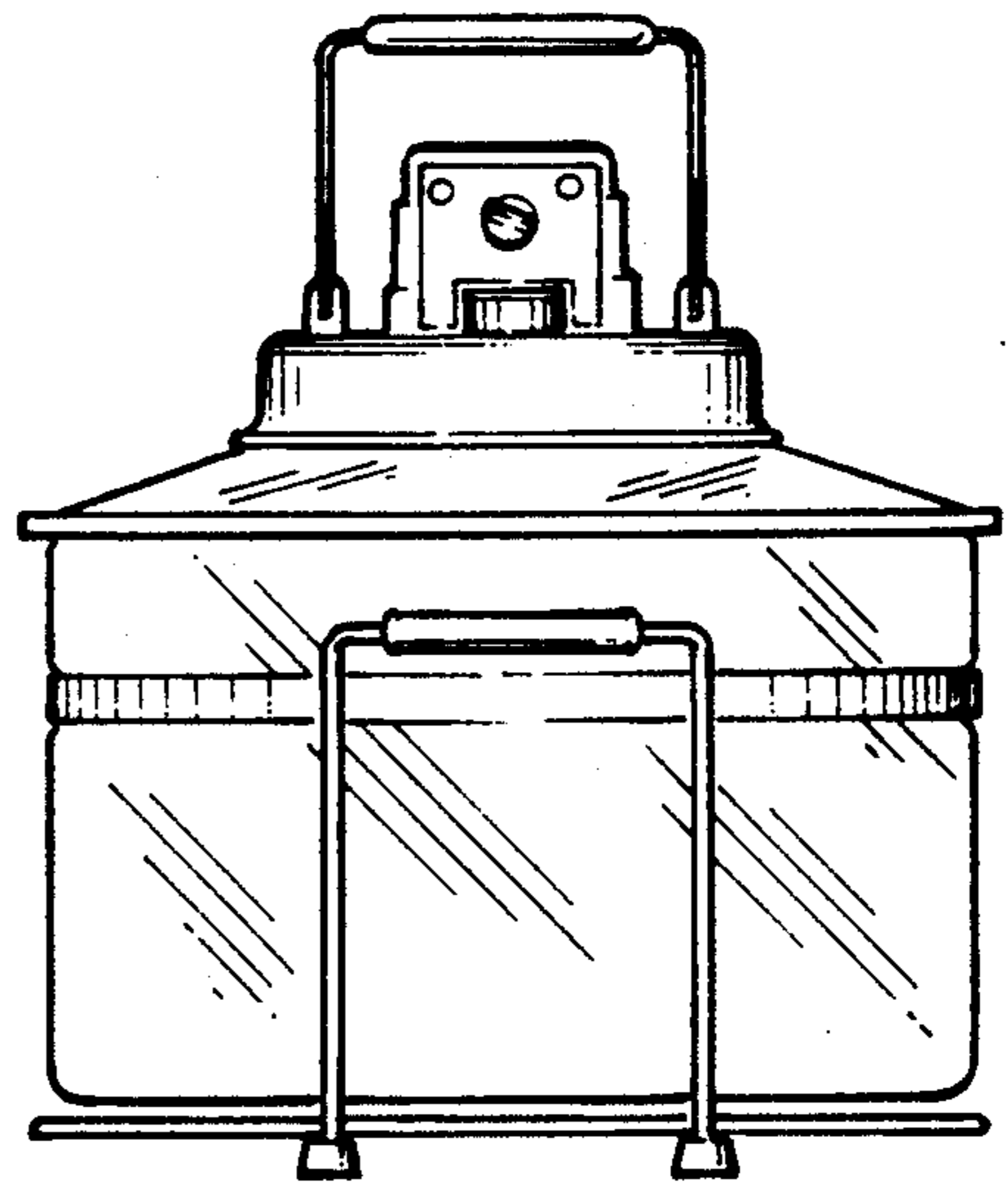


FIGURE 3

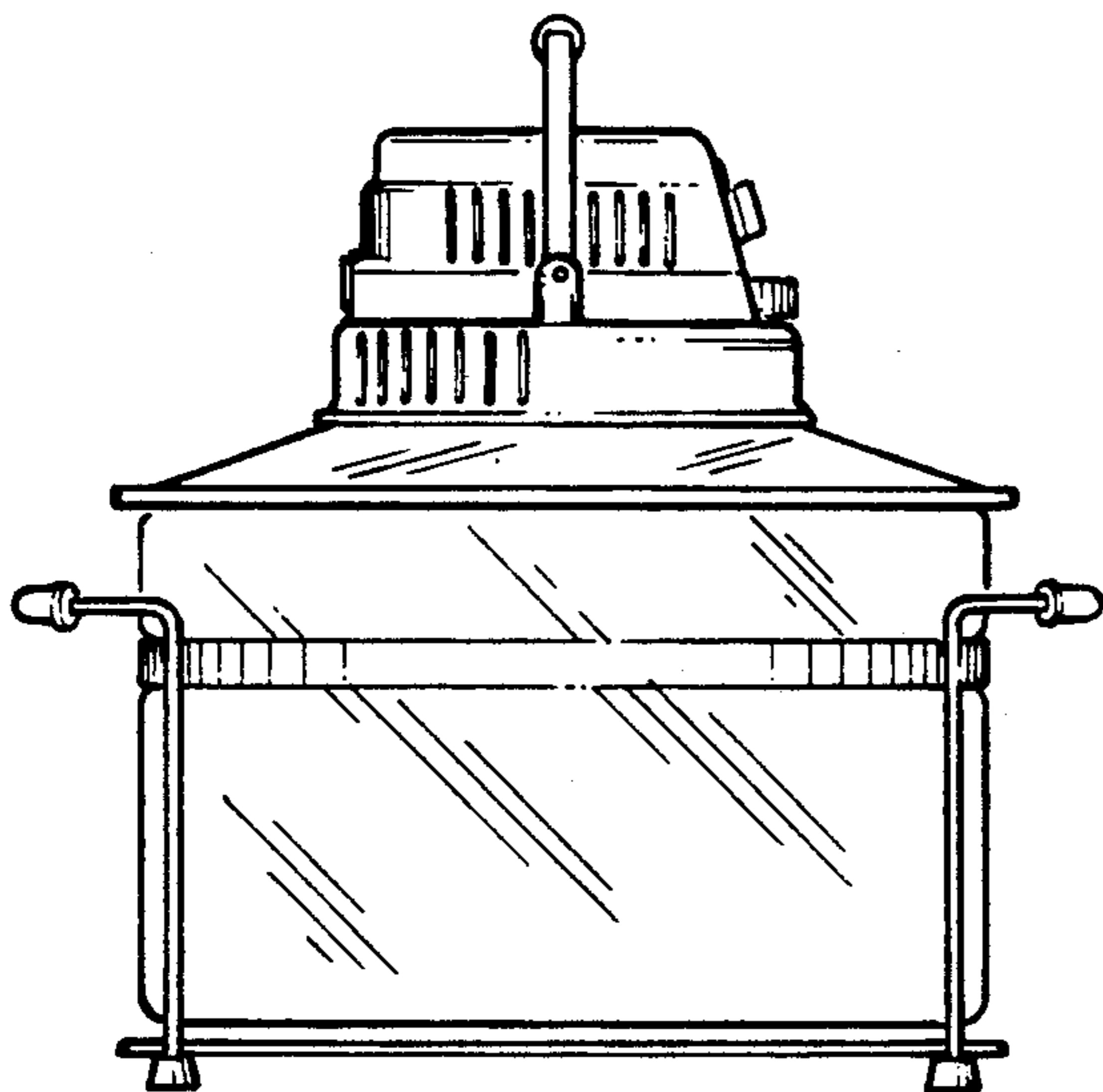


FIGURE 4

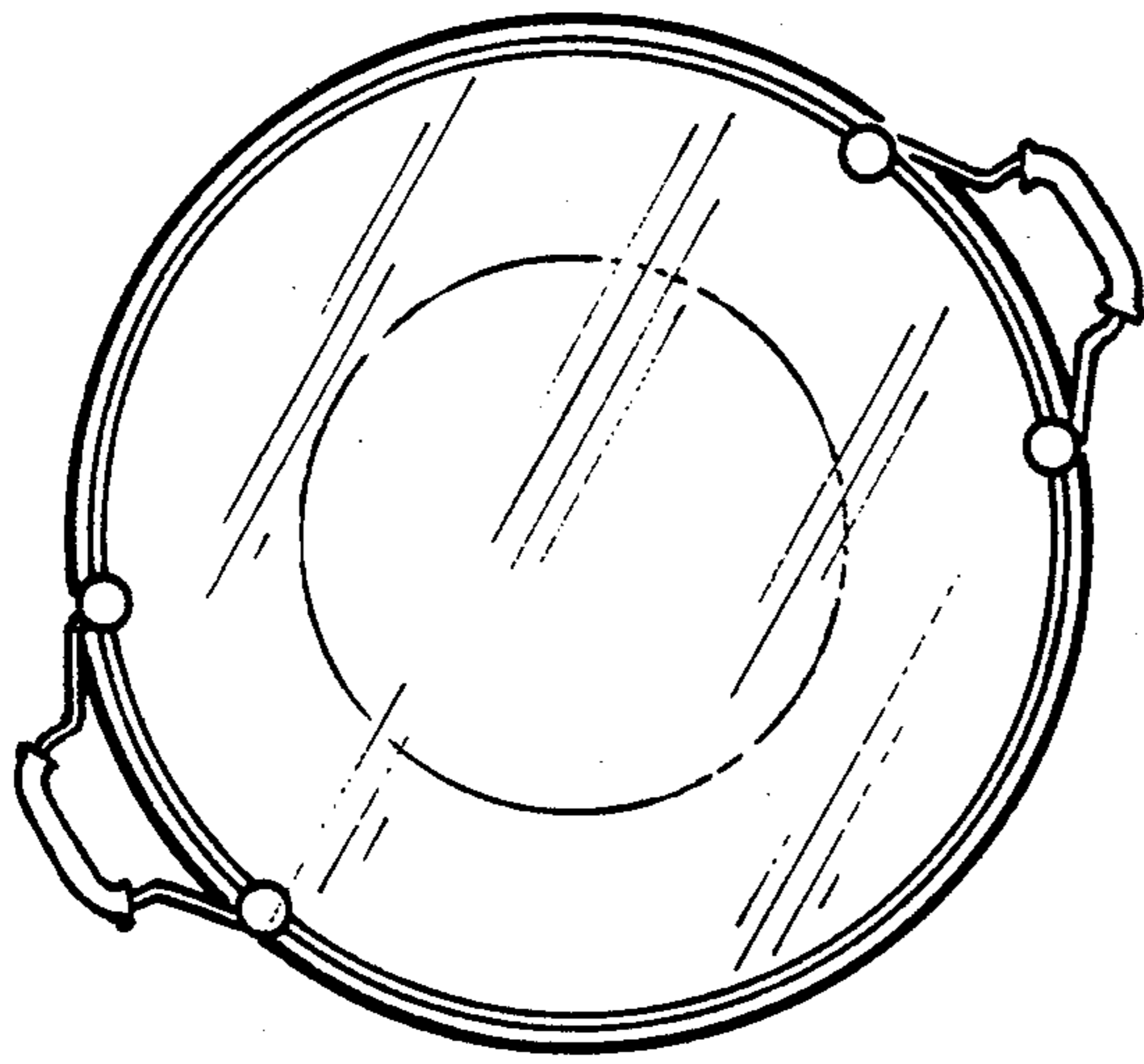


FIGURE 5

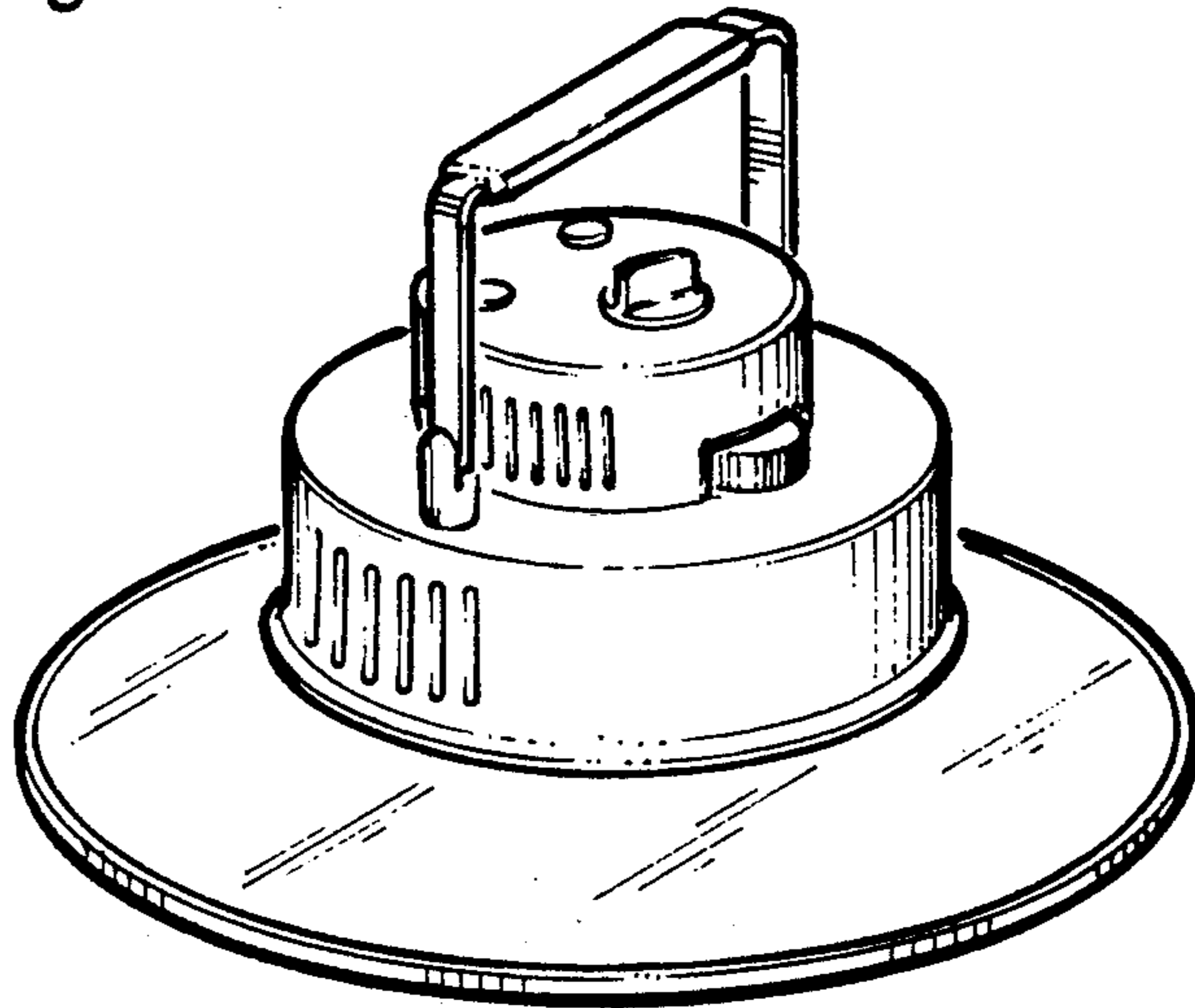


FIGURE 6

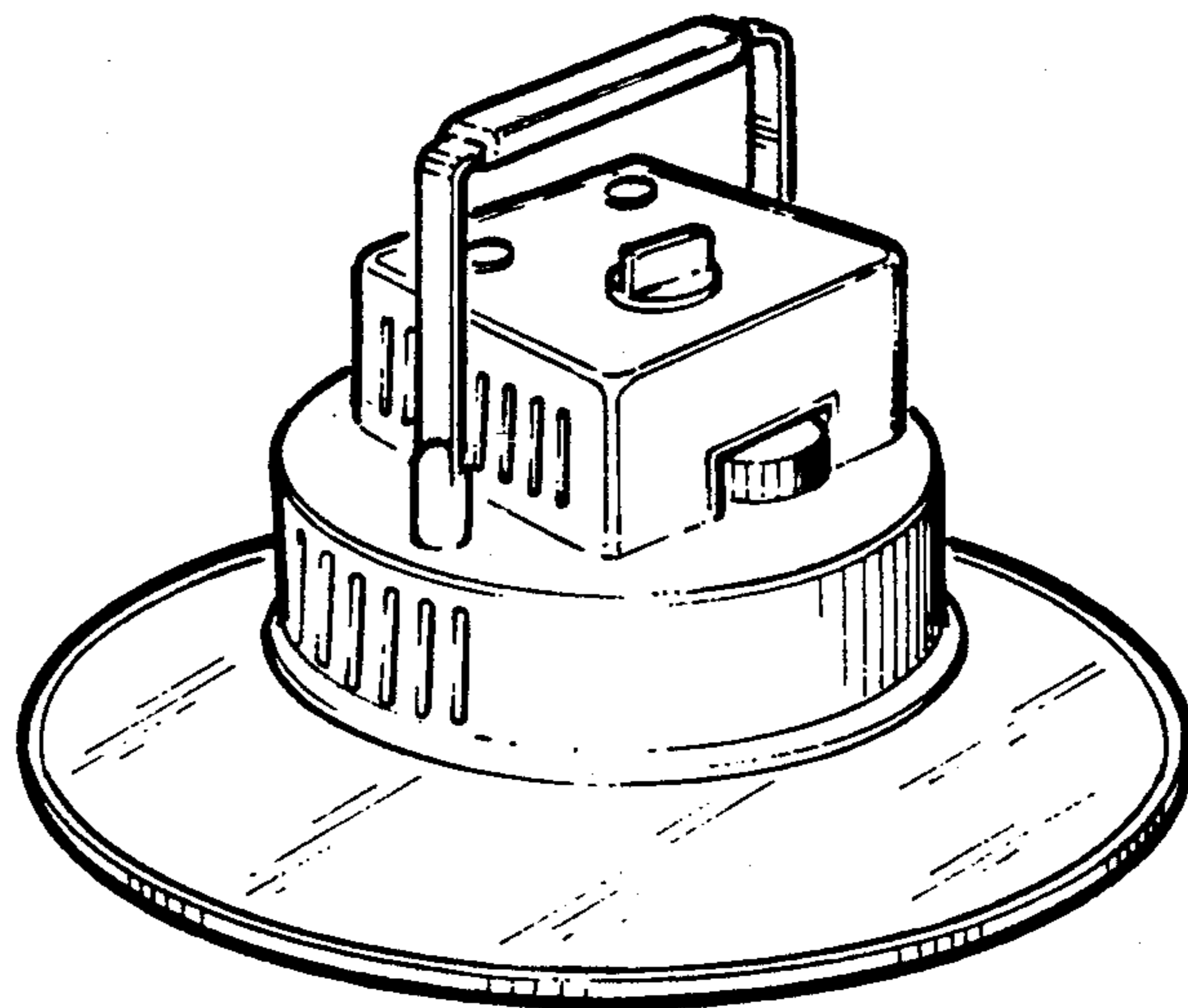


FIGURE 7