



US00D328831S

United States Patent [19]

[11] Patent Number: **Des. 328,831**

Wojcik

[45] Date of Patent: **** Aug. 25, 1992**

[54] **ROCKER ATTACHMENT FOR A WHEELCHAIR**

4,118,046 10/1978 Vaughan 280/304.1
4,832,357 5/1989 Crew 280/304.1

[76] Inventor: **Warren Wojcik, 3102 Alta Vista Dr., Fallbrook, Calif. 92028**

Primary Examiner—Bruce W. Dunkins
Assistant Examiner—Janice E. Seeger
Attorney, Agent, or Firm—James E. Brunton

[**] Term: **14 Years**

[57] **CLAIM**

[21] Appl. No.: **358,609**

The ornamental design for a rocker attachment for a wheelchair, as shown and described.

[22] Filed: **May 30, 1989**

[52] U.S. Cl. **D6/491; D6/495; D6/344**

DESCRIPTION

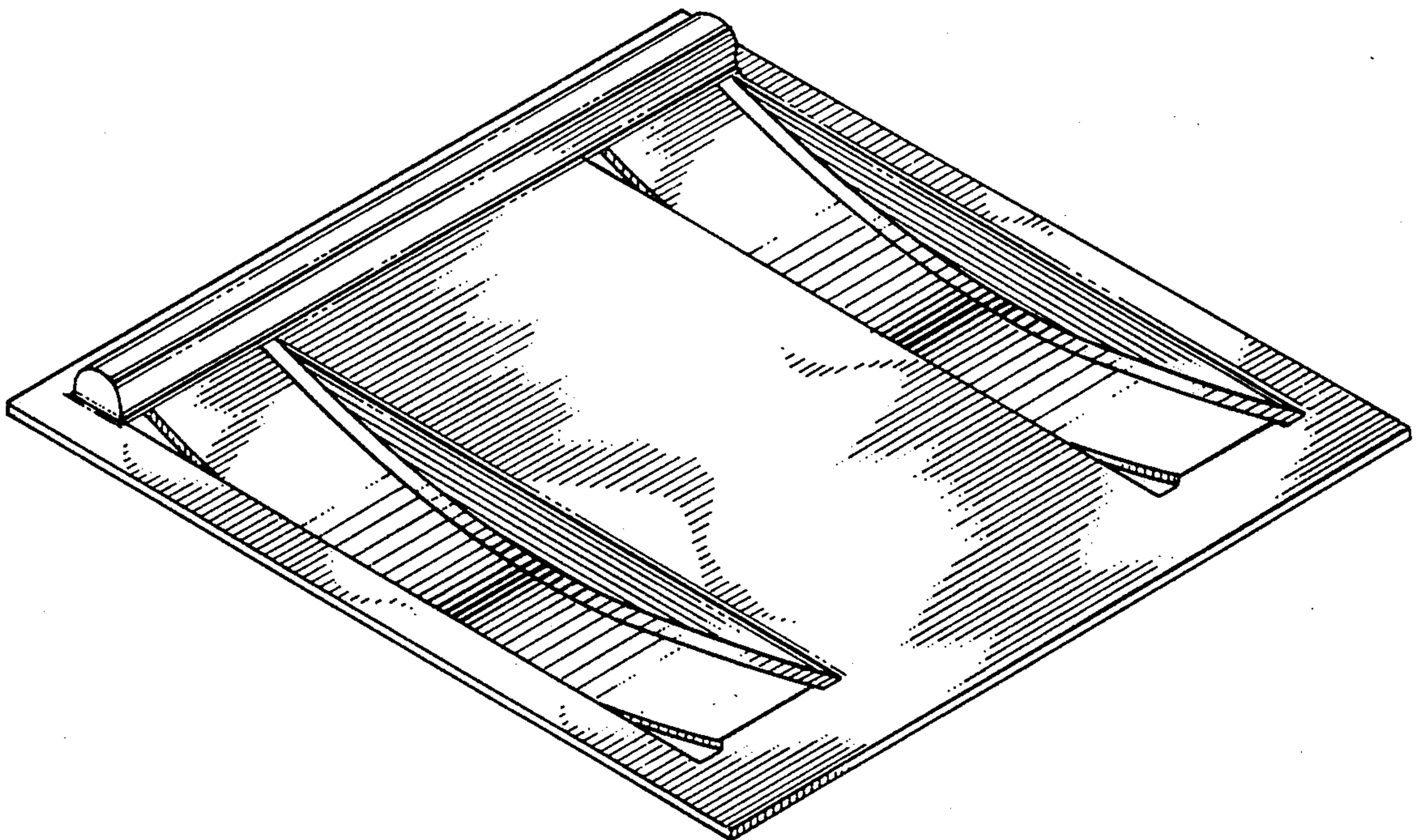
[58] Field of Search **D6/491, 495, 500-502, D6/509, 344; 297/258, 260, 261, 272; 280/304.1**

FIG. 1 is a perspective view of a rocker attachment for a wheelchair, showing my new design;
FIG. 2 is a top plan view;
FIG. 3 is a front elevational view, the rear being identical thereto;
FIG. 4 is a side elevational view, the opposite side being a mirror image thereof; and,
FIG. 5 is a bottom plan view.
FIGS. 2-5 have been drawn on an enlarged scale with respect to FIG. 1.

[56] **References Cited**

U.S. PATENT DOCUMENTS

3,227,445	1/1966	Jensen	297/258 X
3,306,660	2/1967	Williams	297/272 X
3,526,429	9/1970	Metzger	297/258
3,669,490	6/1972	Bertolet	297/272



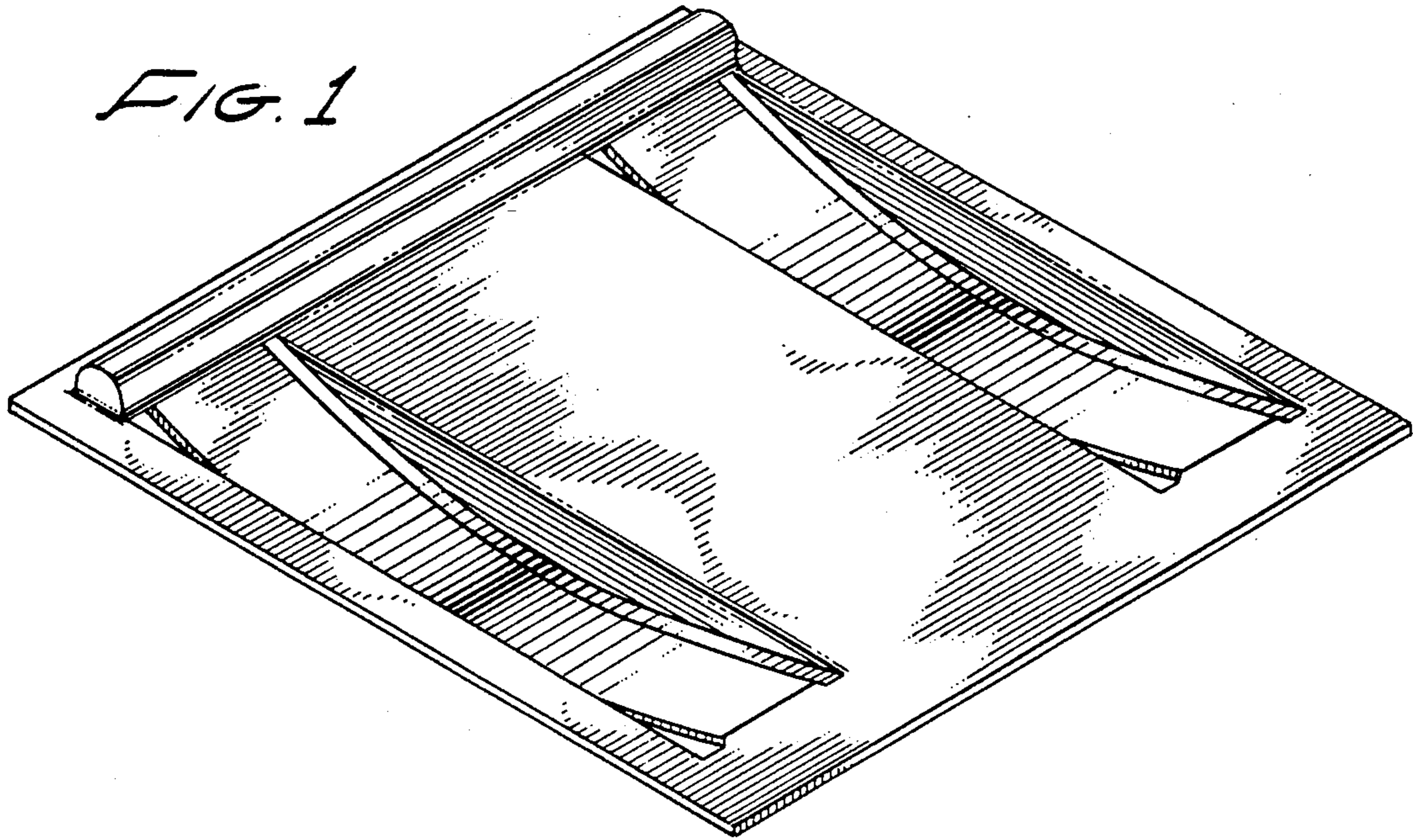


FIG. 2

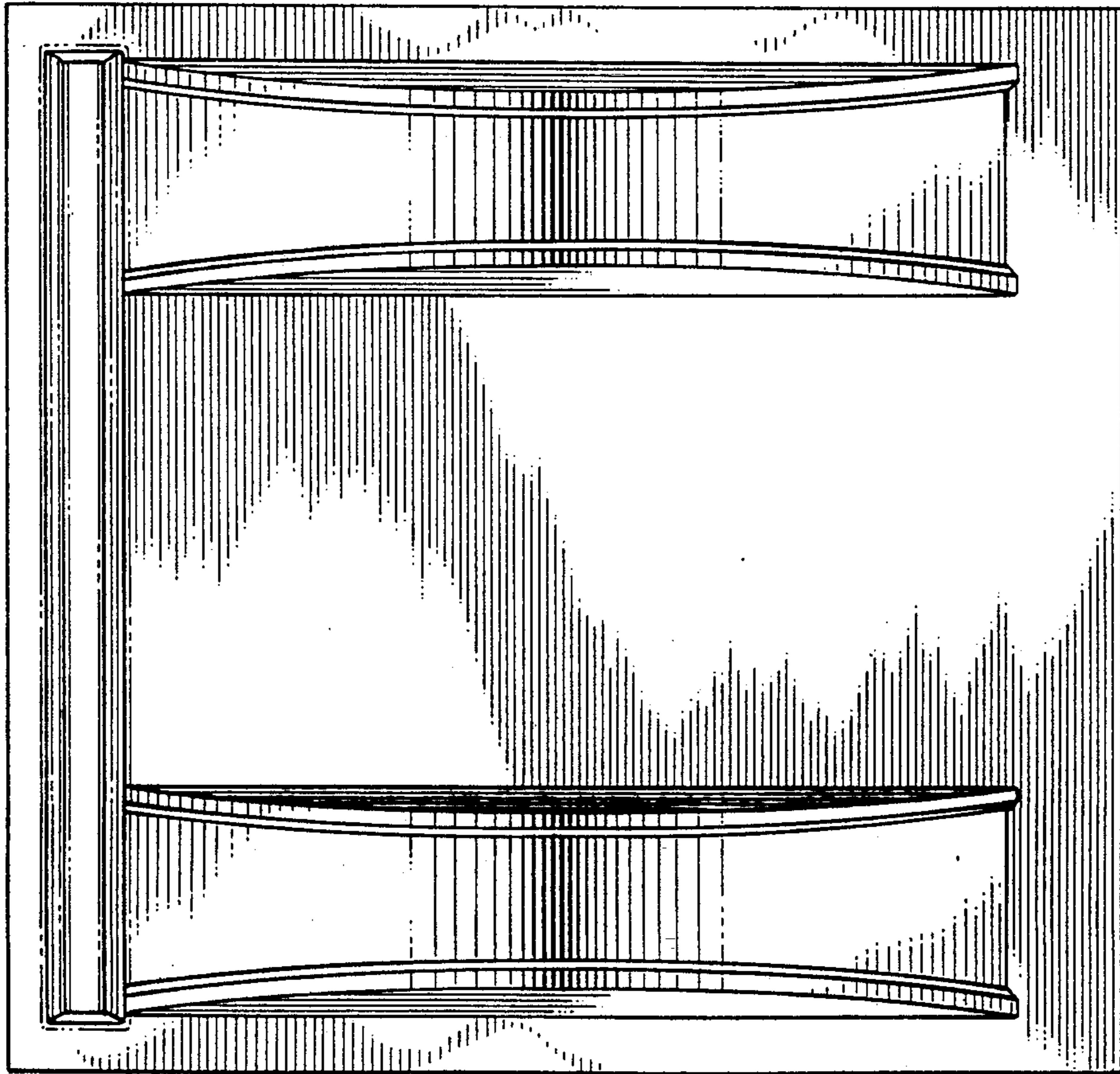


FIG. 3

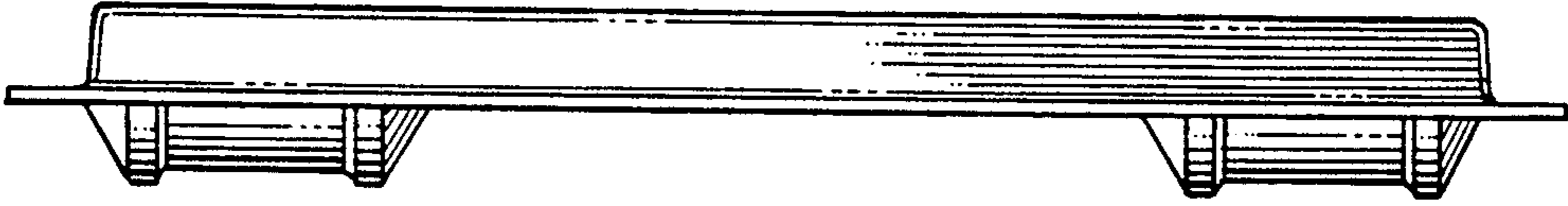


FIG. 4

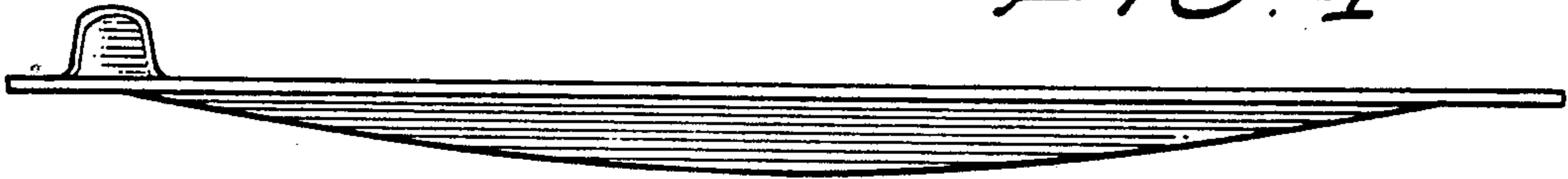


FIG. 5

