



US00D328830S

United States Patent [19]

[11] Patent Number: Des. 328,830

Allen

[45] Date of Patent: ** Aug. 25, 1992

[54] **MERCHANDISE DISPLAY STAND**

[75] Inventor: John L. Allen, Houston, Tex.

[73] Assignee: Liz Claiborne, Inc., New York, N.Y.

[**] Term: 14 Years

[21] Appl. No.: 410,740

[22] Filed: Sep. 21, 1989

[52] U.S. Cl. D6/478; D6/414; D6/465

[58] Field of Search D6/332, 445, 411, 410, D6/413, 414, 415, 436, 437, 438, 396, 397, 449, 455, 460, 461, 462, 463, 464, 465, 468, 477, 478, 479; 312/198, 199, 242; 211/105.1, 13, 187

[56] **References Cited**

U.S. PATENT DOCUMENTS

D. 210,134	2/1968	Christensen et al.	D6/332 X
D. 225,954	1/1973	Schachel	D6/479 X
D. 244,924	7/1977	Scheibner	D6/478 X
D. 256,307	8/1980	Frank	D6/478 X

D. 318,194	7/1991	Terrell et al.	D6/414
D. 318,383	7/1991	Terrell et al.	D6/411
1,644,716	10/1927	Fain	D6/436 X
3,828,937	8/1974	Nash	211/187 X

Primary Examiner—Donald P. Walsh
Assistant Examiner—Jeffrey Asch
Attorney, Agent, or Firm—Kirschstein, Ottinger, Israel & Schiffmiller

[57] **CLAIM**

The ornamental design for a merchandise display stand, as shown and described.

DESCRIPTION

FIG. 1 is a top plan view of a merchandise display stand showing my new design;
FIG. 2 is a front elevational view thereof, the rear view being a mirror image;
FIG. 3 is a right side elevational view thereof, the left side elevational view being a mirror image;
FIG. 4 is a bottom plan view thereof; and,
FIG. 5 is a perspective view thereof.

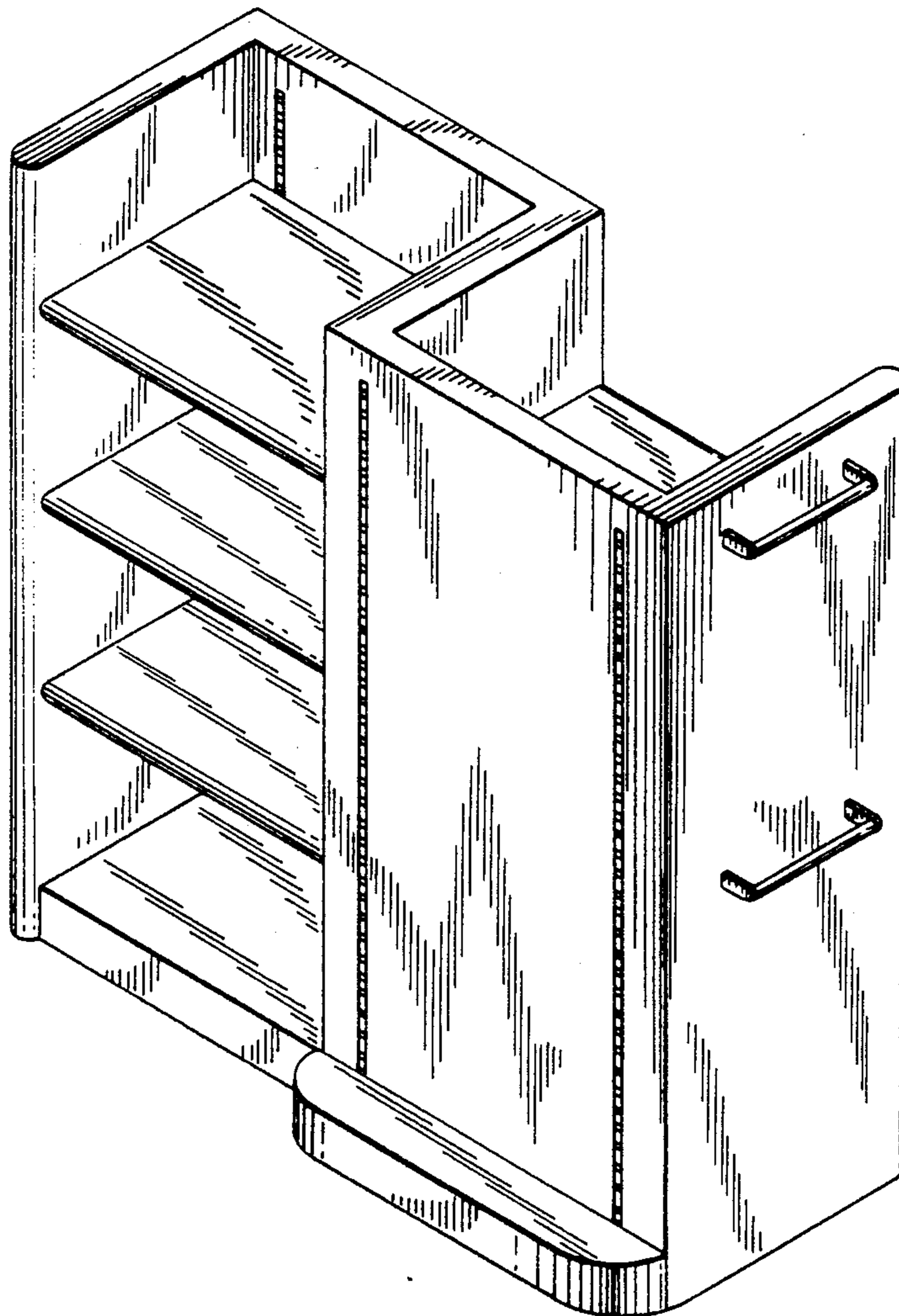


FIG. 1

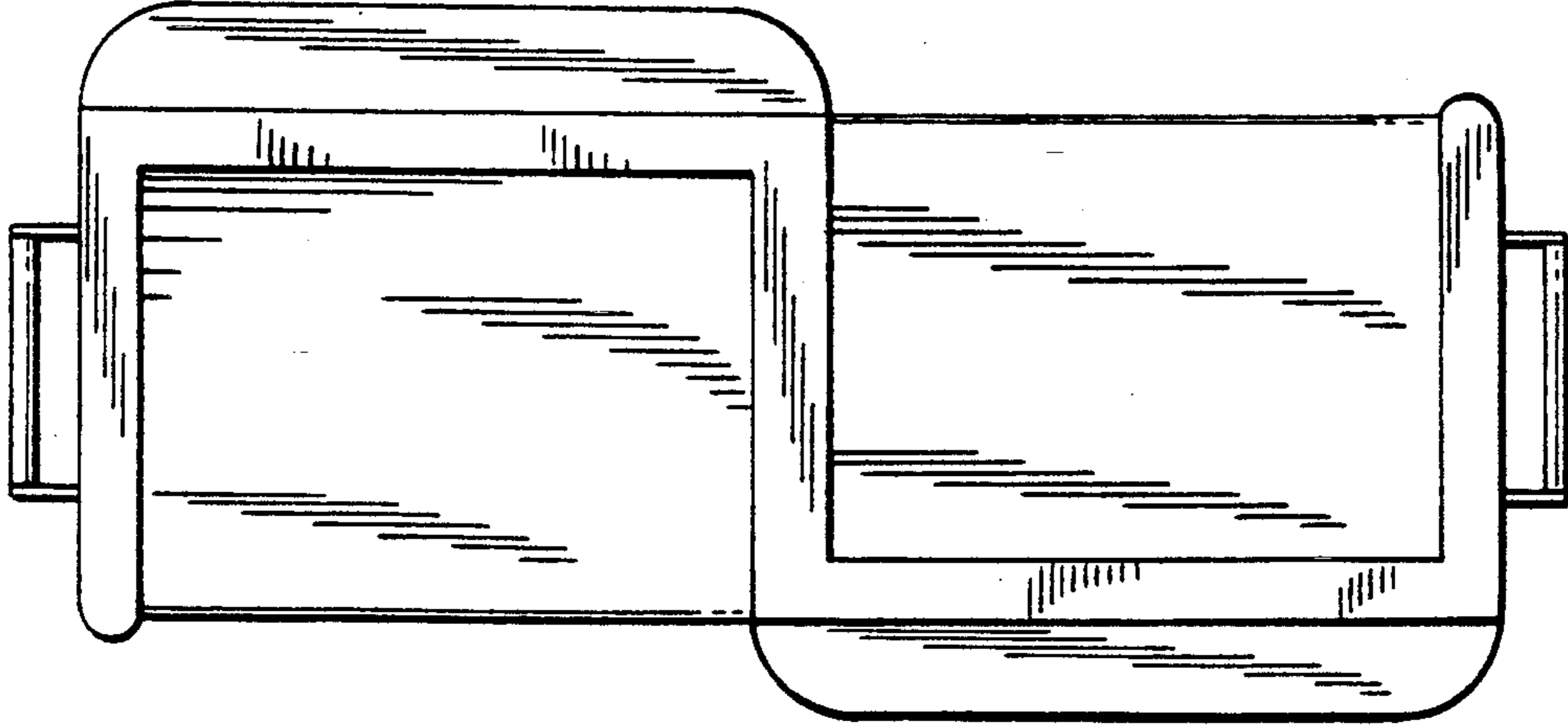


FIG. 2

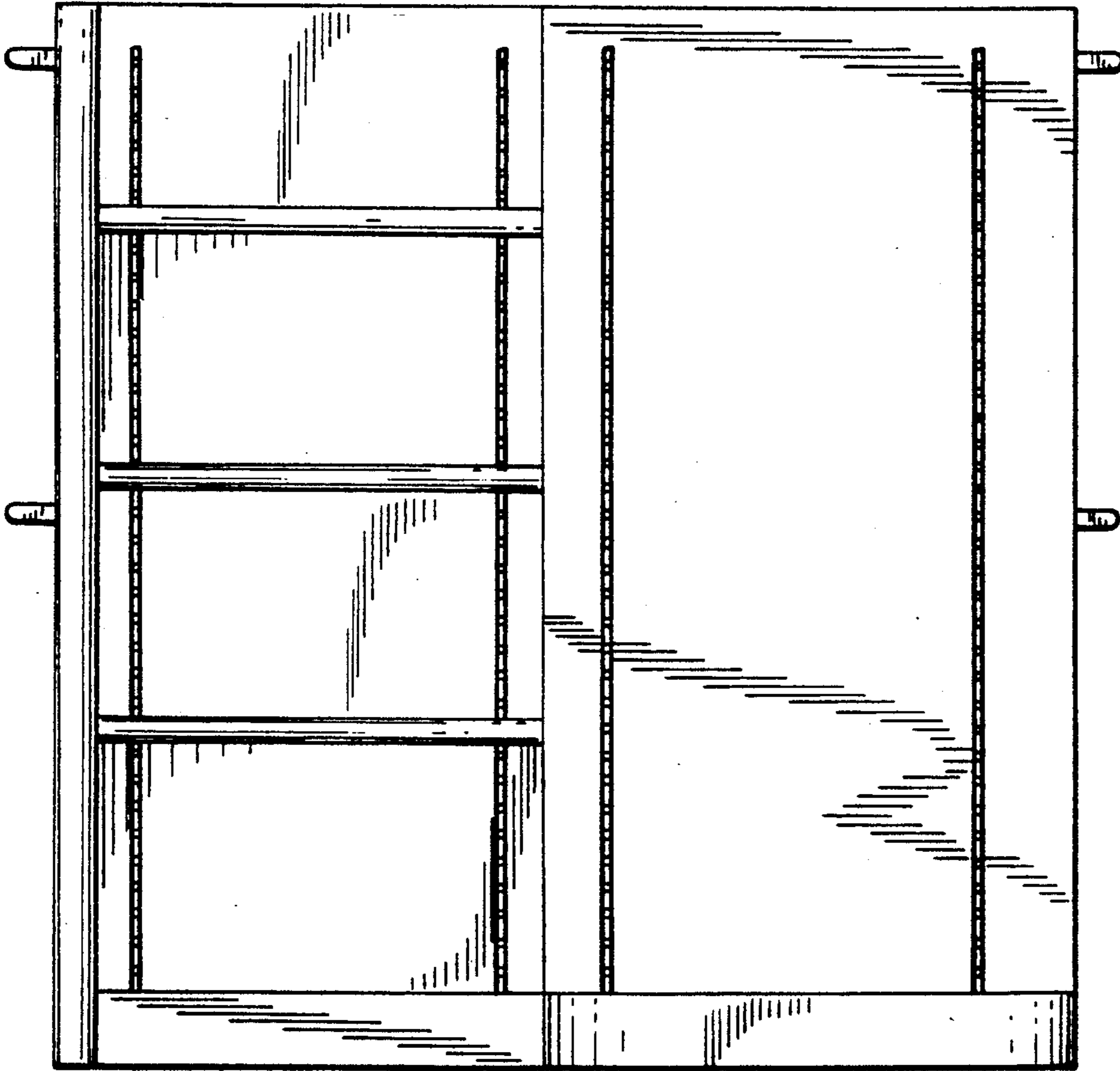


FIG. 3

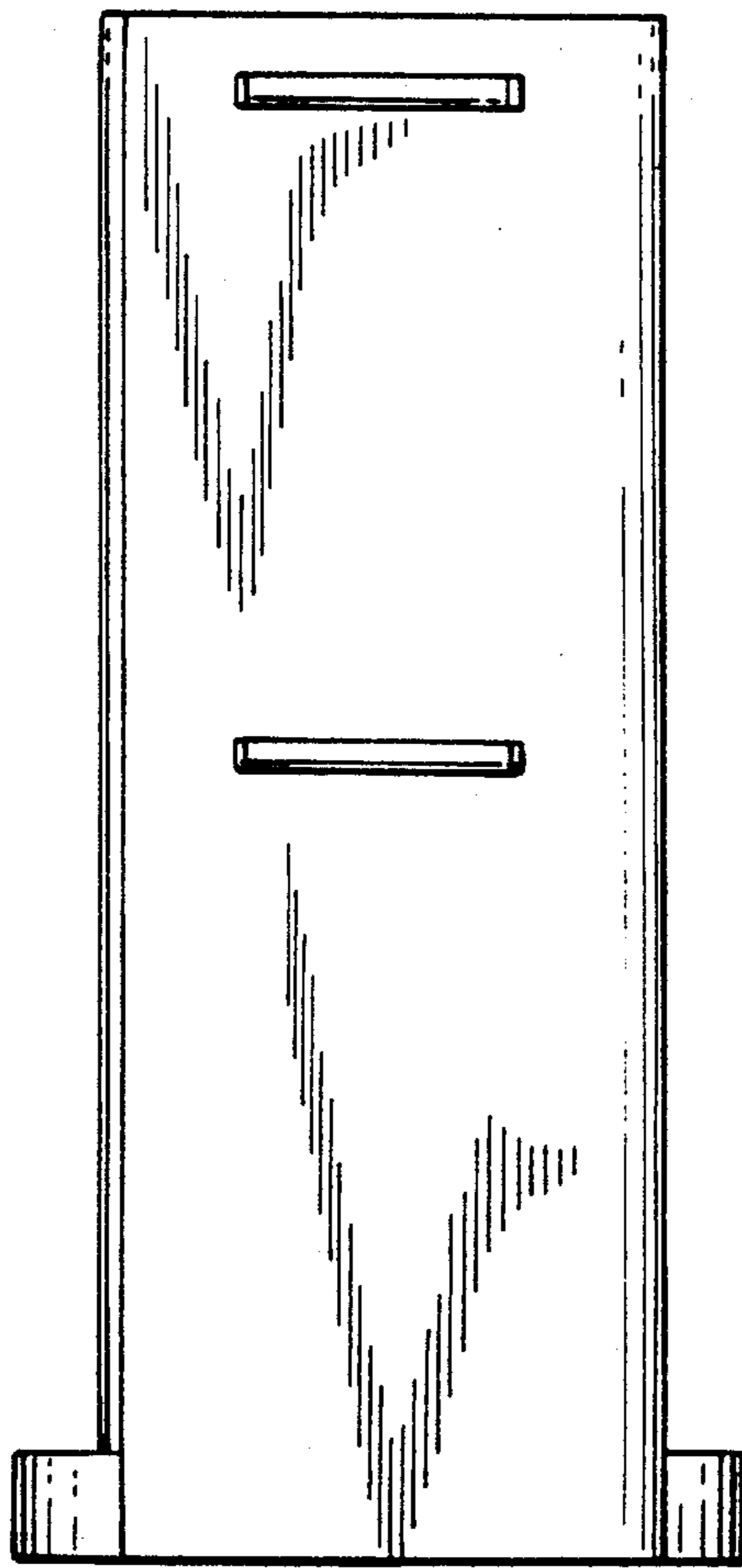


FIG. 4

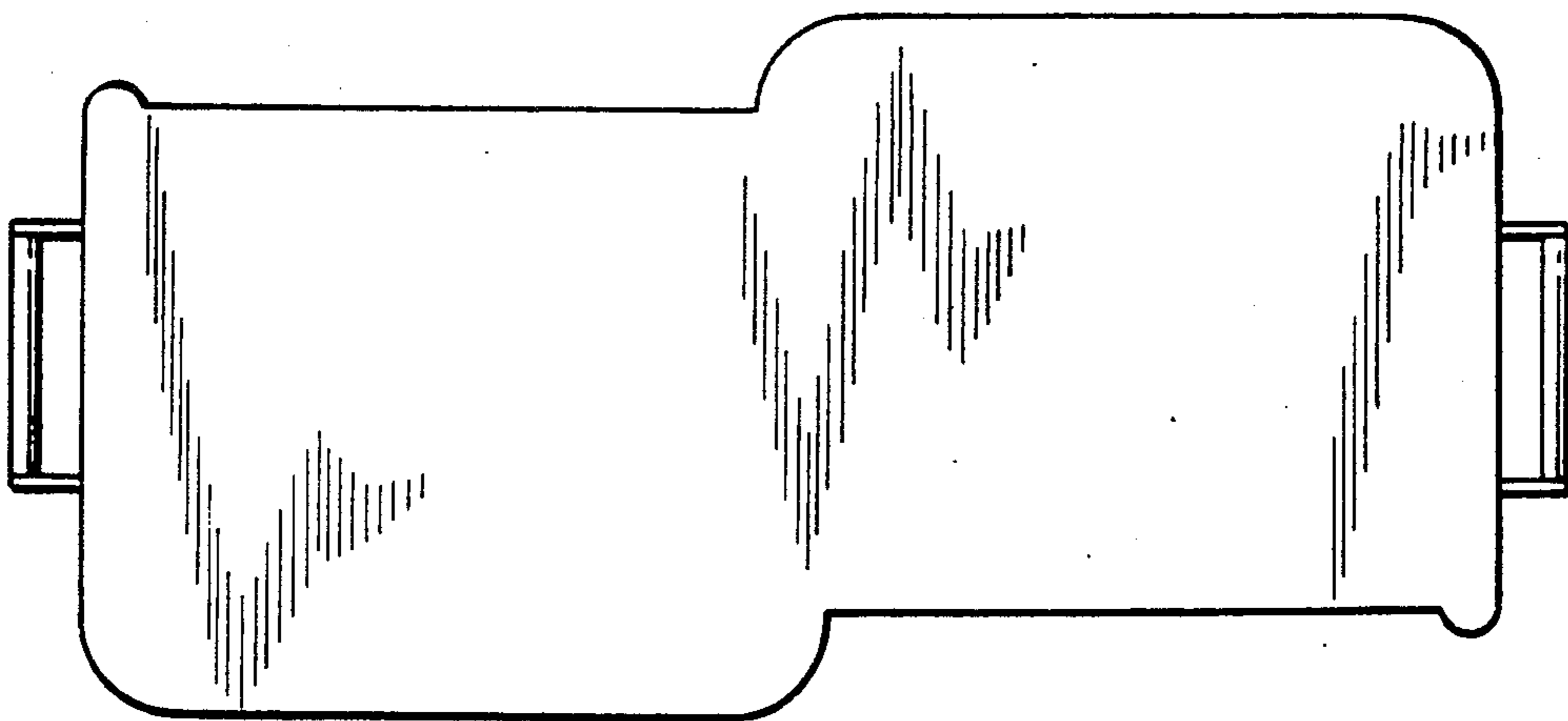


FIG. 5

