



US00D328826S

# United States Patent [19]

[11] Patent Number: Des. 328,826

Berger

[45] Date of Patent: \*\* Aug. 25, 1992

[54] SUNGLASS DISPLAY TRAY  
 [75] Inventor: Barry D. Berger, New York, N.Y.  
 [73] Assignee: R.N. Koch, Inc., Providence, R.I.  
 [\*\*] Term: 14 Years  
 [21] Appl. No.: 600,493  
 [22] Filed: Oct. 19, 1990  
 [52] U.S. Cl. .... D6/567  
 [58] Field of Search ..... D6/512, 553, 567, 569,  
 D6/572, 574; 211/13, 70.6, 86-90, 126, 134;  
 248/902

3,817,392 6/1974 Blods ..... 211/13  
 4,558,788 12/1985 Grothaus ..... 211/13

Primary Examiner—Brian N. Vinson  
 Attorney, Agent, or Firm—Salter, Michaelson & Benson

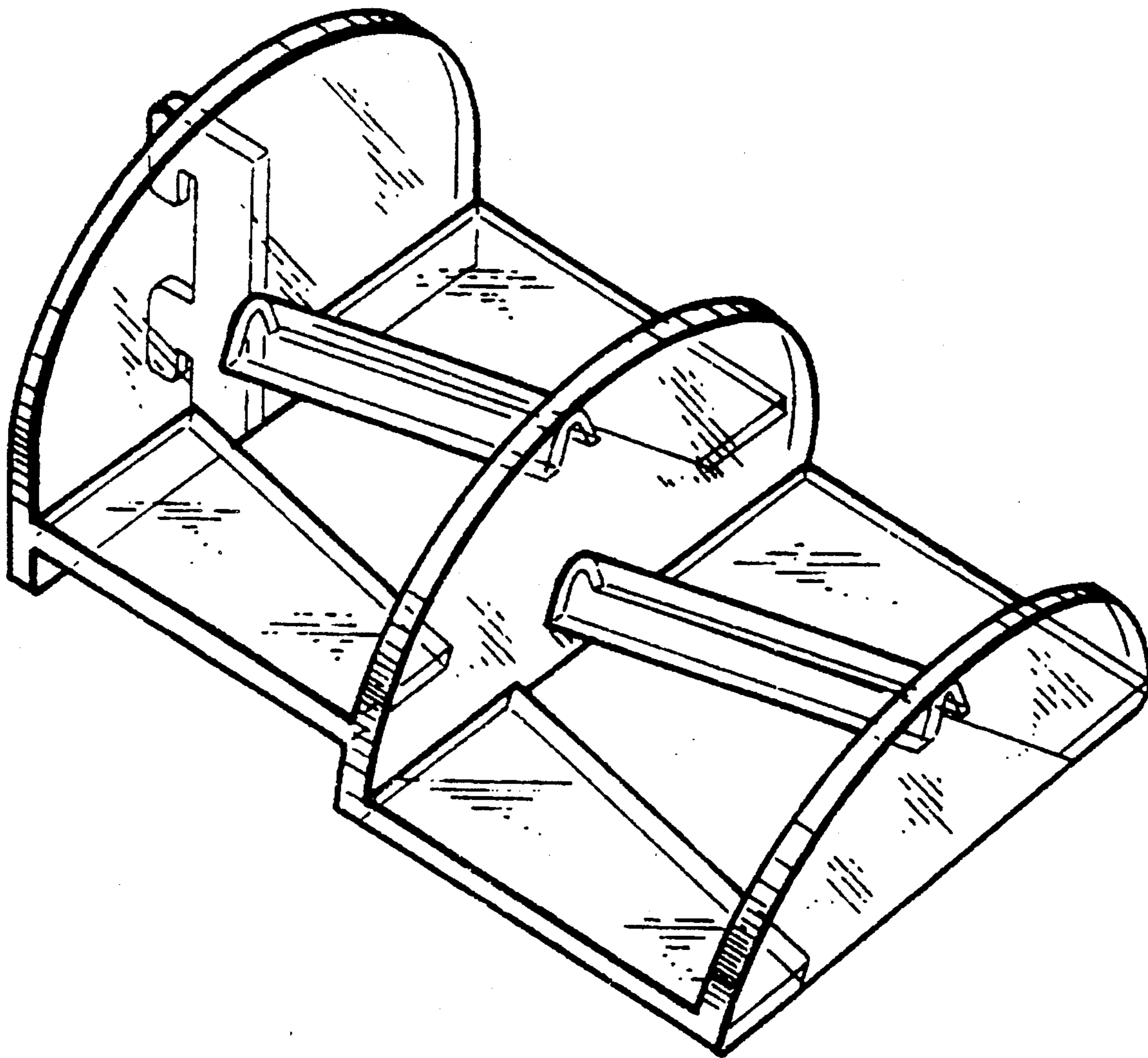
### [57] CLAIM

The ornamental design for a sunglass display tray, as shown and described.

### DESCRIPTION

FIG. 1 is a top, front, and left side perspective view of a sunglass display tray showing my new design; FIG. 2 is a front elevational view thereof; FIG. 3 is a left side elevational view thereof, the right side being a mirror image of that shown; FIG. 4 is a top plan view thereof; FIG. 5 is a rear elevational view thereof; and, FIG. 6 is a bottom plan view thereof.

[56] References Cited  
 U.S. PATENT DOCUMENTS  
 2,623,722 12/1952 Glunt ..... 248/902 X  
 2,949,683 8/1960 Glover ..... 211/13



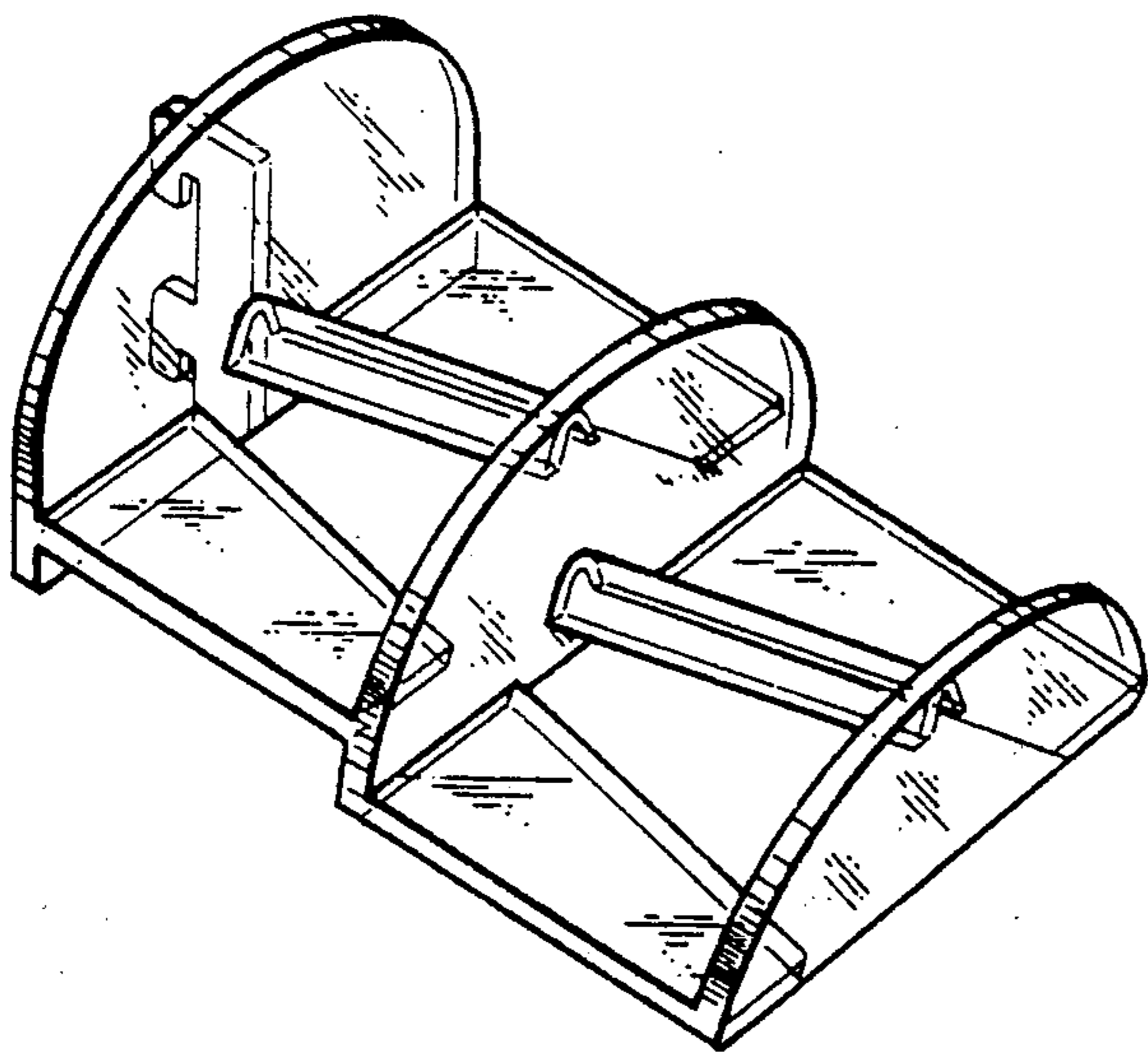


FIG. 1

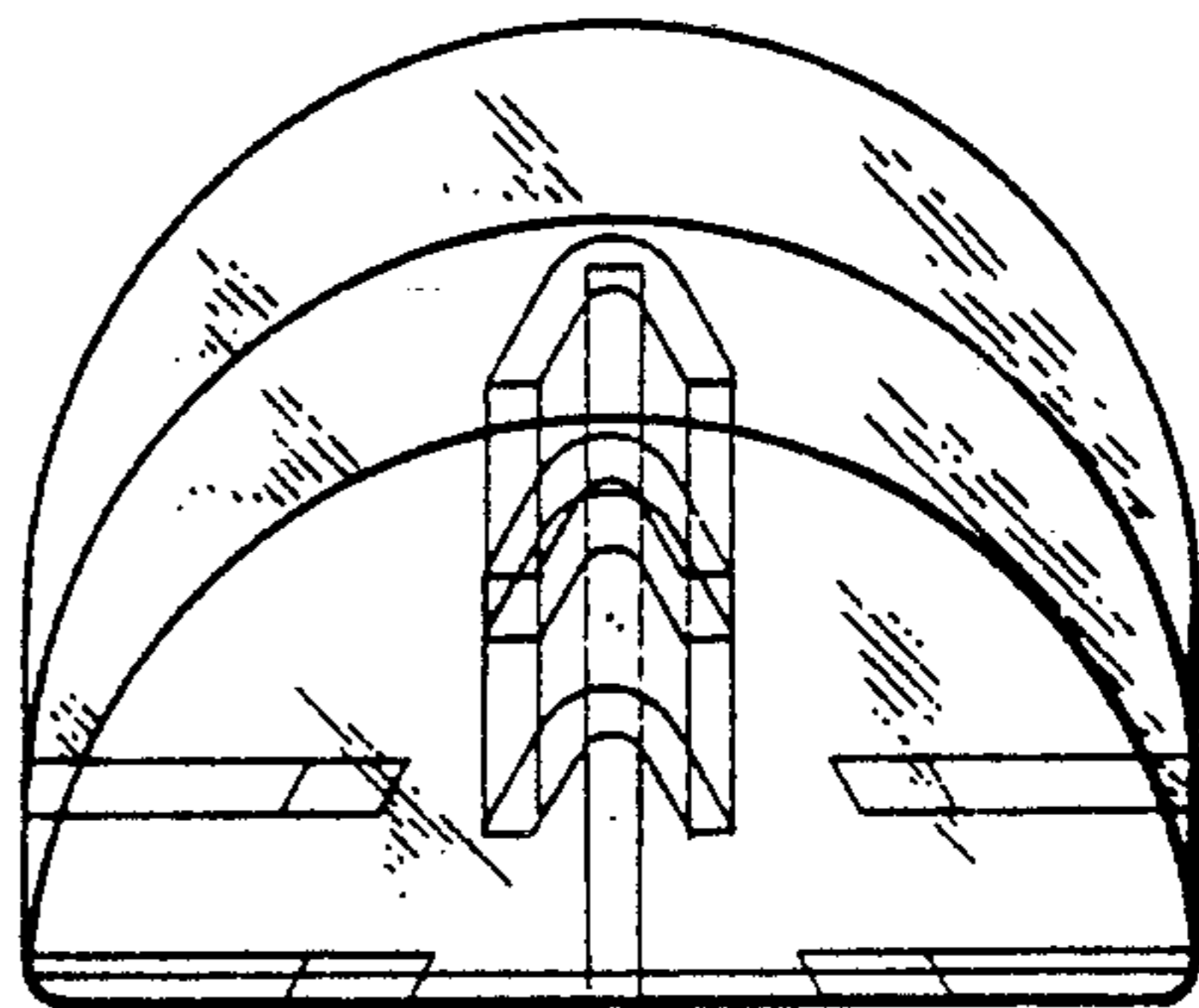


FIG. 2

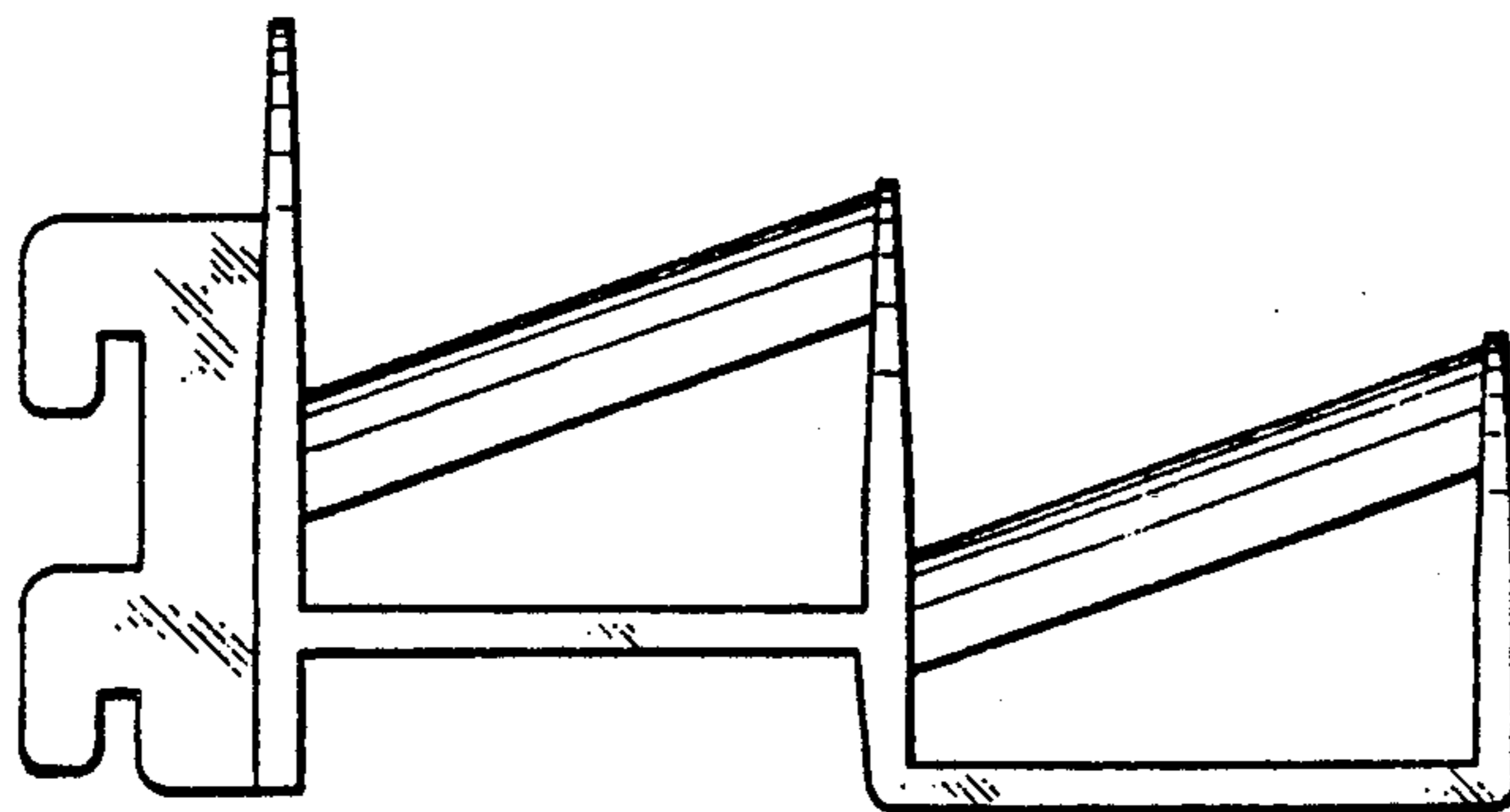


FIG. 3

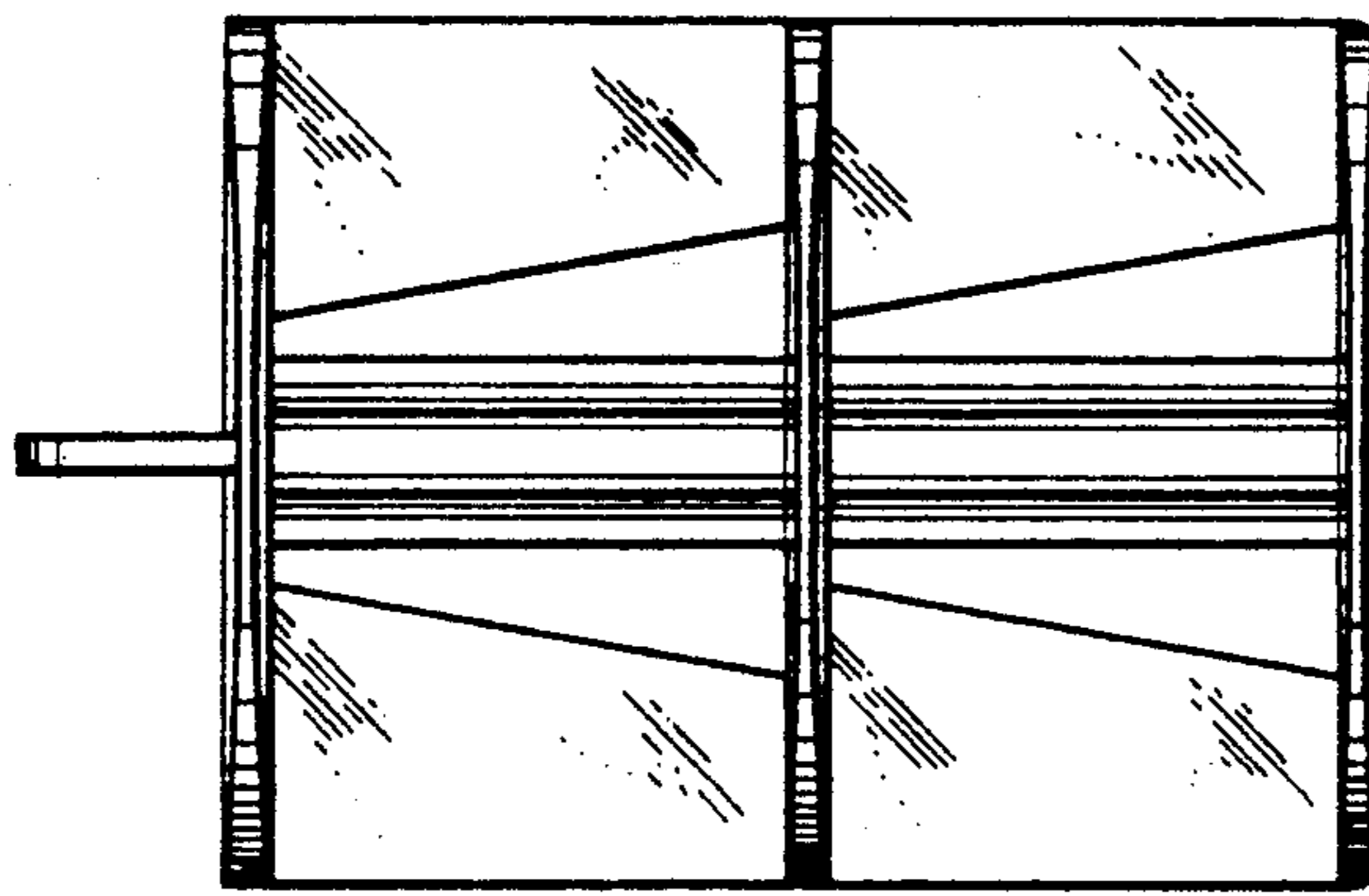


FIG. 4

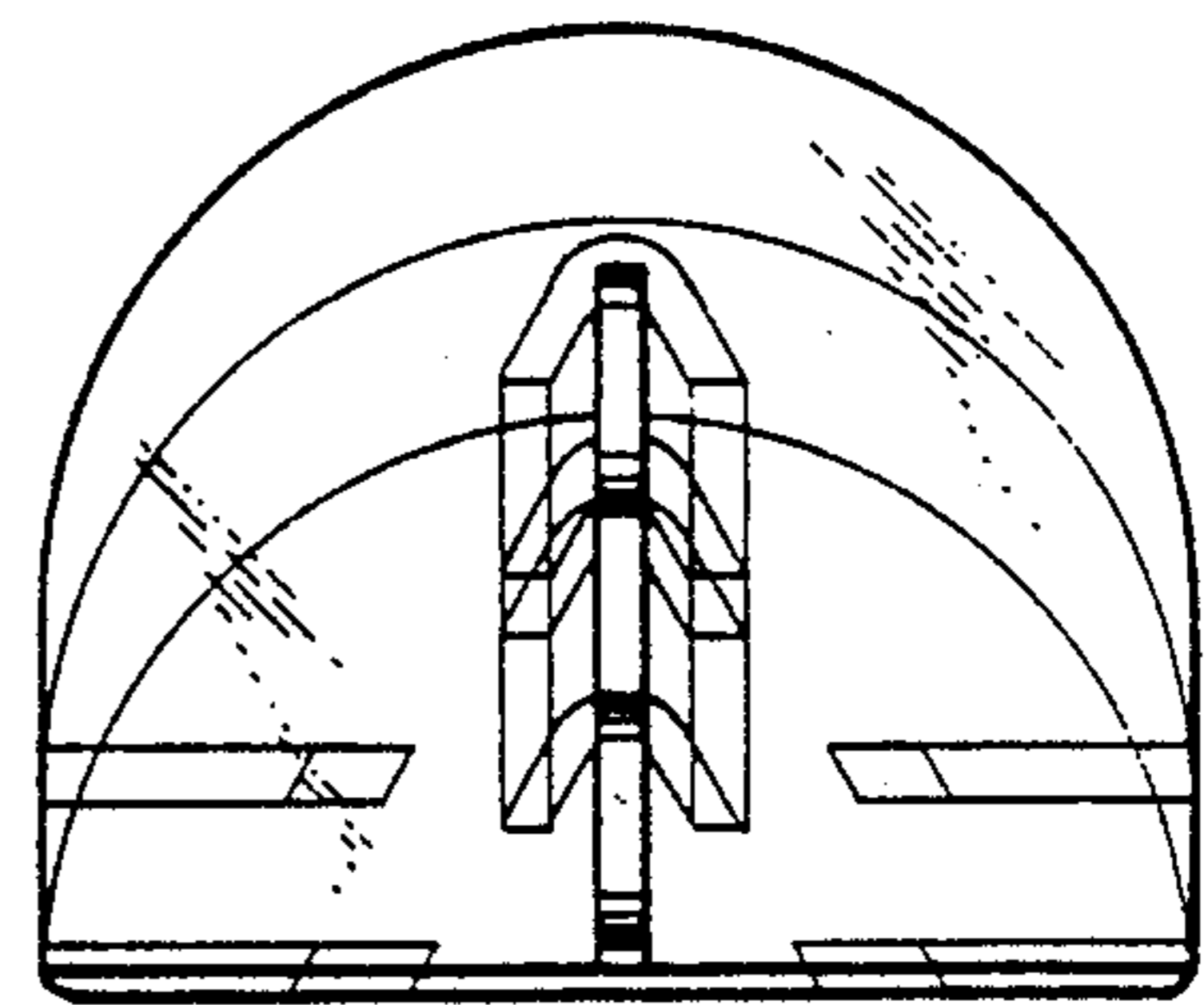


FIG. 5

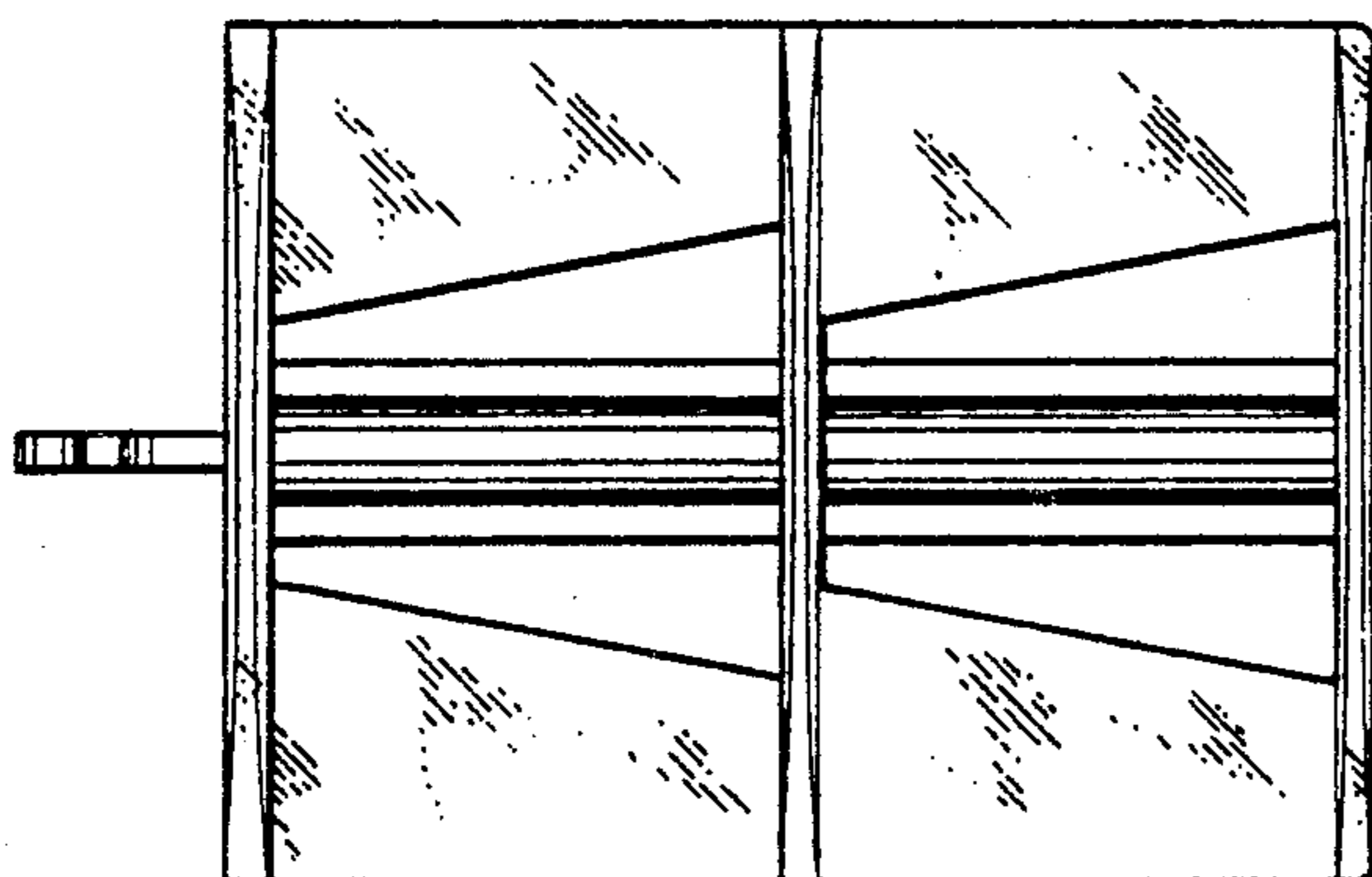


FIG. 6