



US00D328823S

United States Patent [19]

[11] Patent Number: **Des. 328,823**

Rogers, Jr. et al.

[45] Date of Patent: **** Aug. 25, 1992**

[54] ADJUSTABLE LOUNGE CHAIR

[76] Inventors: **Walter C. Rogers, Jr.**, P.O. Box 685, Denton, N.C. 27239; **Donald B. Fisher**, 119 Beach Summit Ct., Jupiter, Fla. 33477

[**] Term: **14 Years**

[21] Appl. No.: **409,868**

[22] Filed: **Sep. 20, 1989**

[52] U.S. Cl. **D6/367; D6/379**

[58] Field of Search **D6/334, 348, 360, 361, D6/367, 371, 372, 379, 500**

[56] References Cited

U.S. PATENT DOCUMENTS

D. 37,508	8/1905	Stickley	D6/379
D. 101,642	10/1936	Larsen	D6/372
D. 171,585	3/1954	Elman	D6/361
D. 247,010	1/1978	Daswick	D6/361 X
D. 267,055	11/1982	Cabbage, Jr.	D6/348
D. 285,630	9/1986	Rodriquez	D6/367
D. 298,788	12/1988	Thompson	D6/334 X

OTHER PUBLICATIONS

The Howell Co., ©1936, p. 12, Chair #219 shown top left.

Domus, May 1979, Chair shown at top of page.

Ligne Roset, 1984, p. 7, Chair with attached legrest (extended), pictured bottom left.

Primary Examiner—Donald P. Walsh

Assistant Examiner—Gary D. Watson

Attorney, Agent, or Firm—William E. Mouzavires

[57] CLAIM

The ornamental design for an adjustable lounge chair, as shown and described.

DESCRIPTION

FIG. 1 is a right-front perspective view of an adjustable lounge chair showing our new design;

FIG. 2 is a left-front perspective view showing the chair in an alternate position;

FIG. 3 is a right side elevational view;

FIG. 4 is a rear elevational view;

FIG. 5 is a top plan view; and,

FIG. 6 is a bottom plan view thereof.

FIG. 2 has been drawn to a smaller scale with respect to the other views.

The claim is characterized by the chair disclosed and is comprised of the C-shaped armrest and the vertical panel members in combination with the C-shaped legrest, all as best illustrated in FIG. 3.

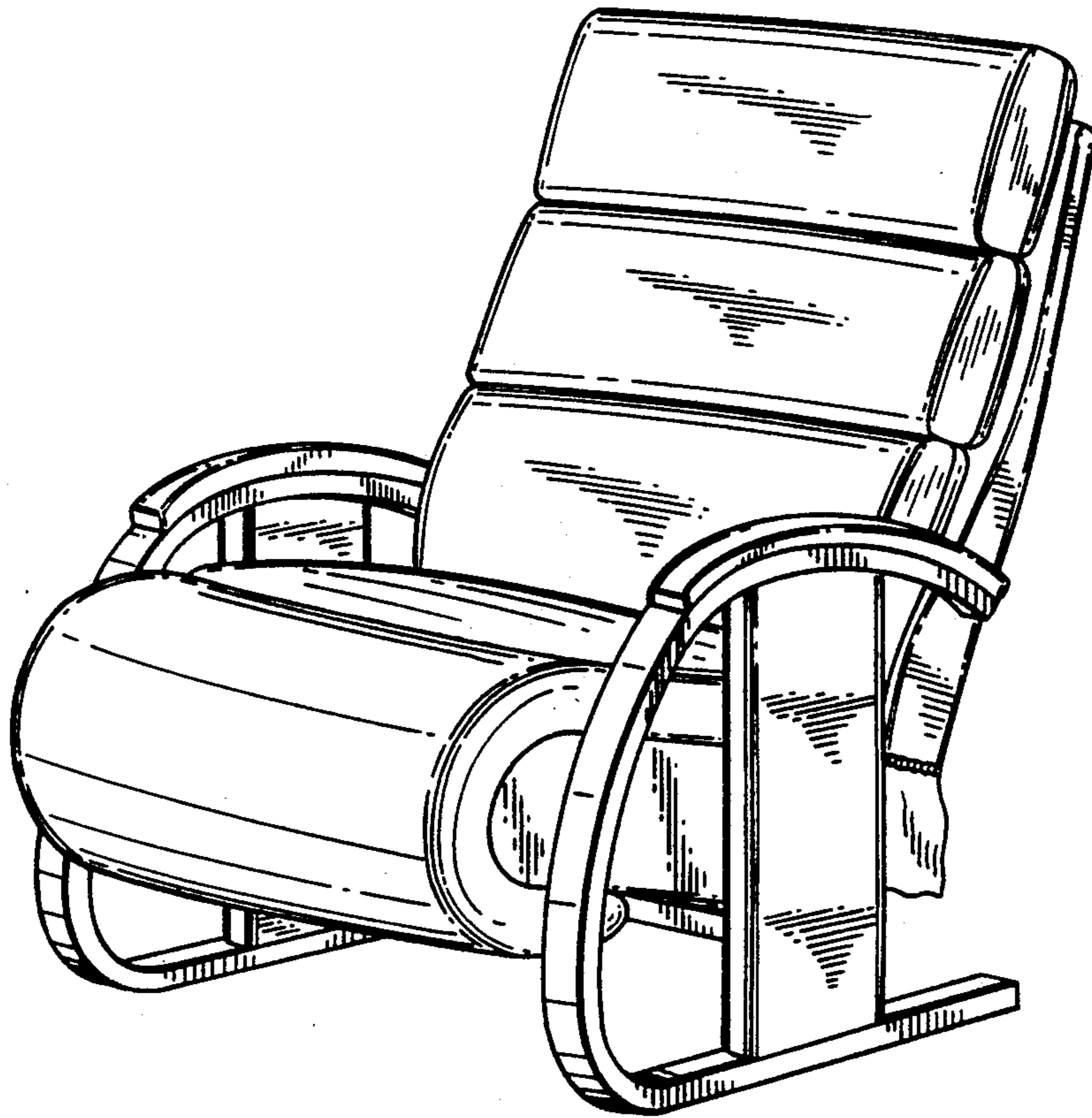


FIG. 1

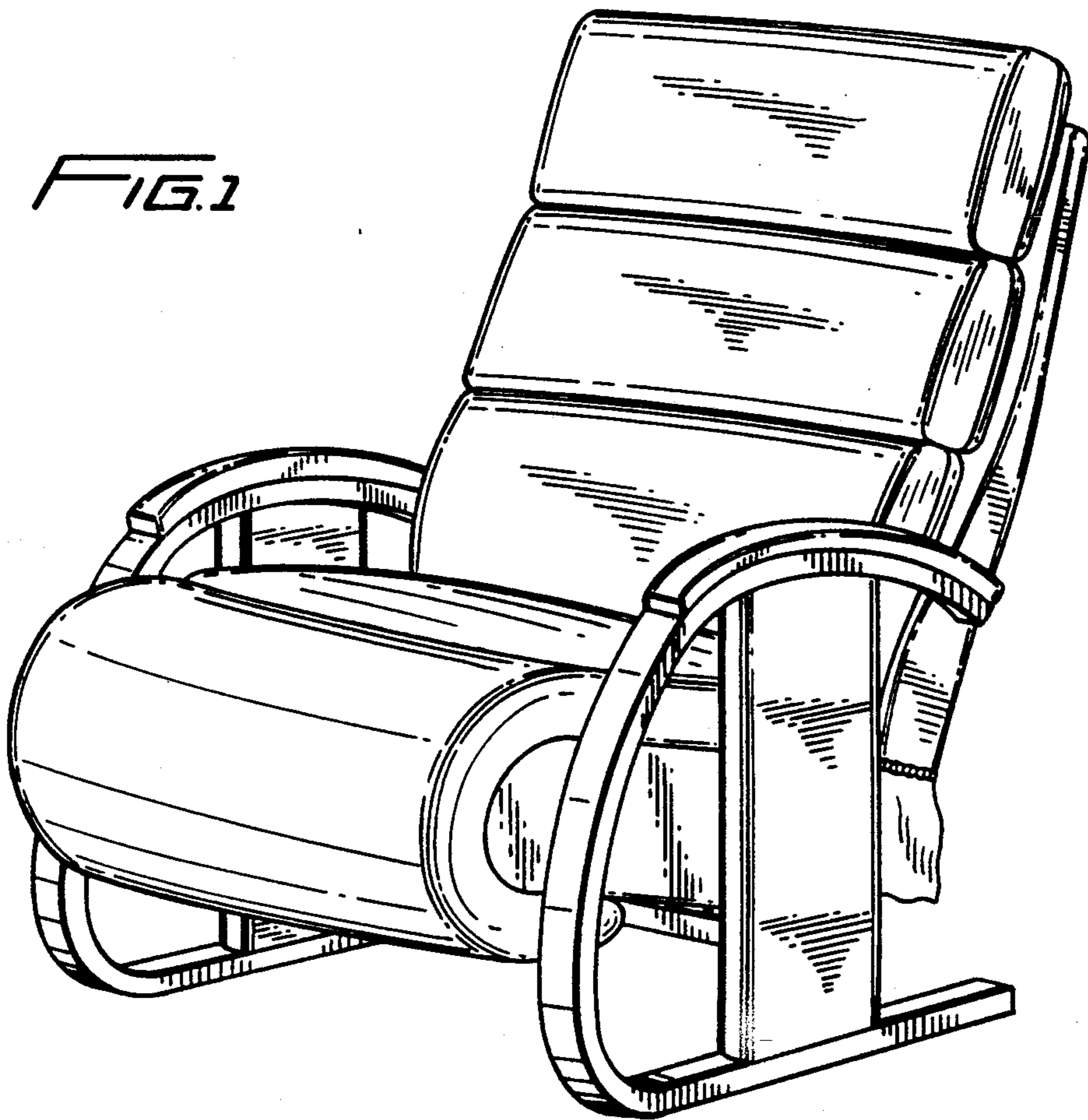
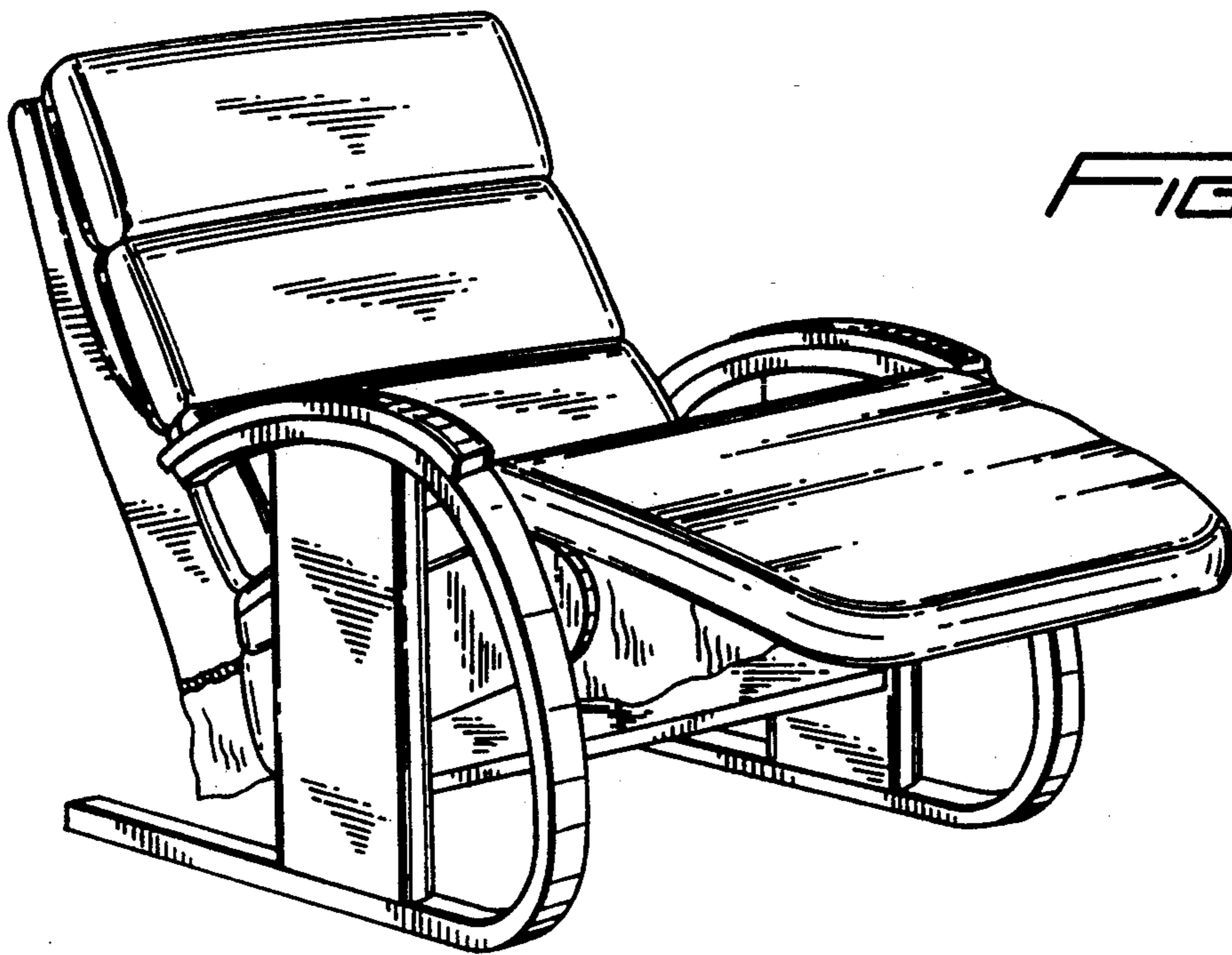


FIG. 2



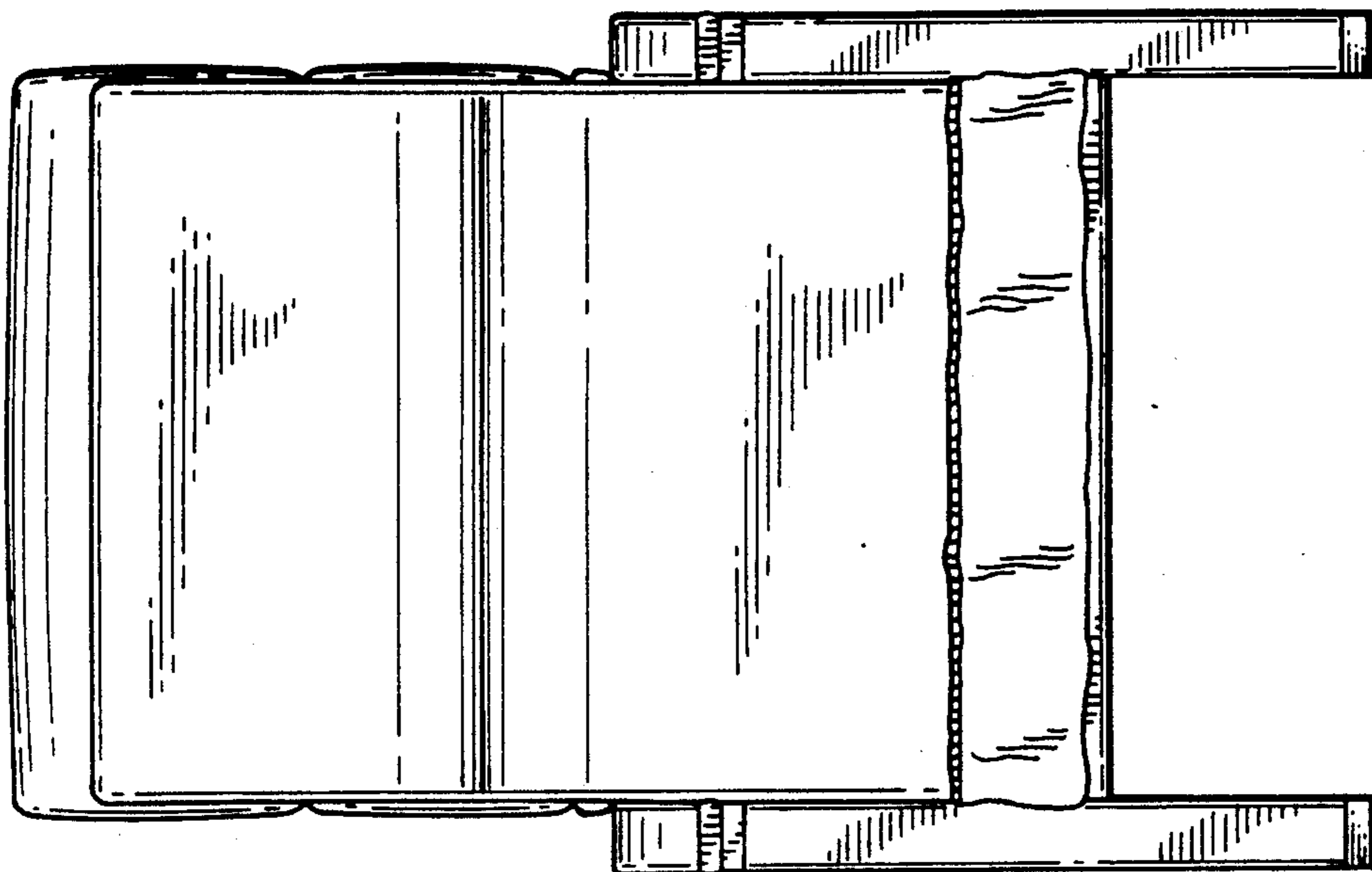


FIG. 4

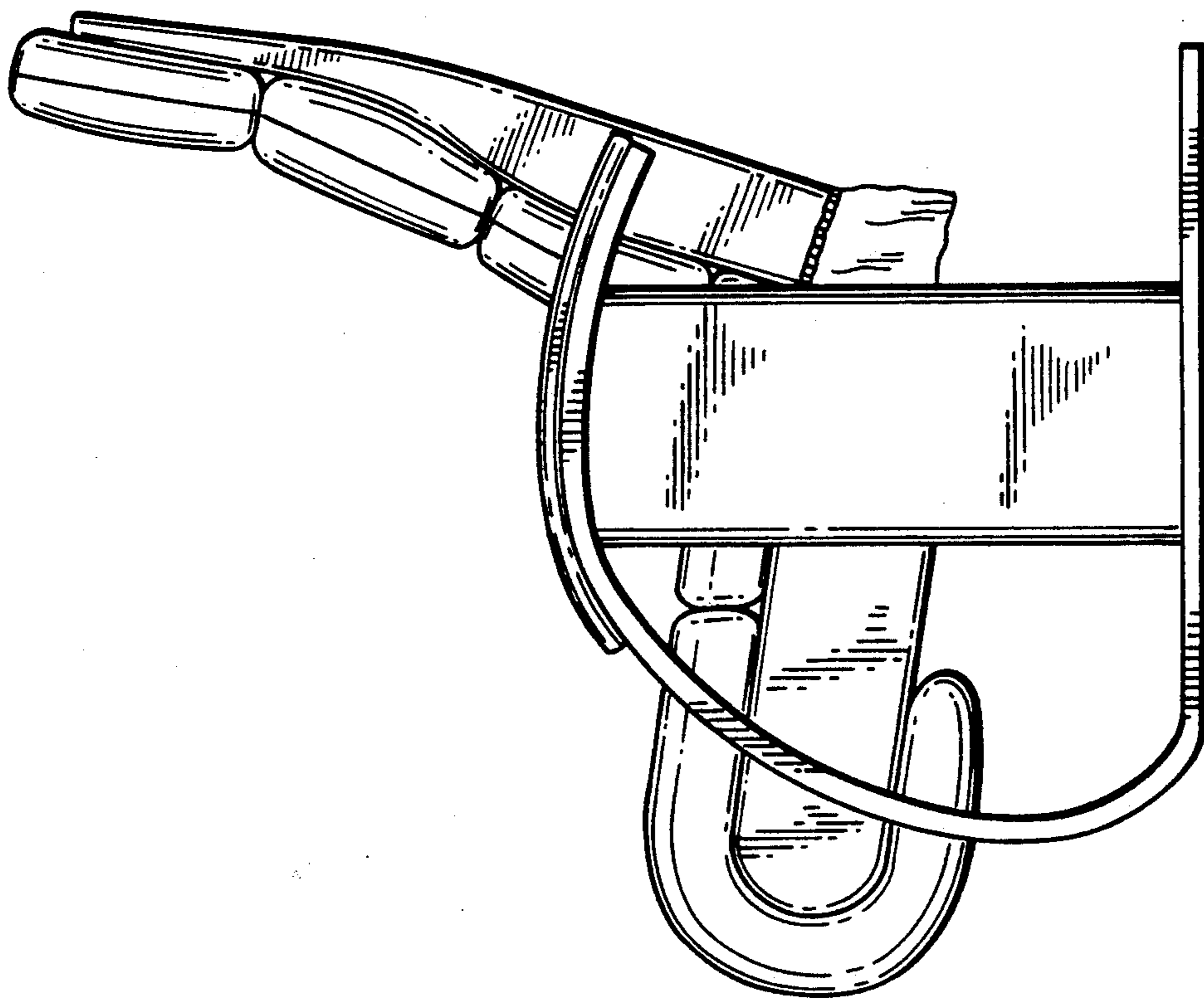


FIG. 3

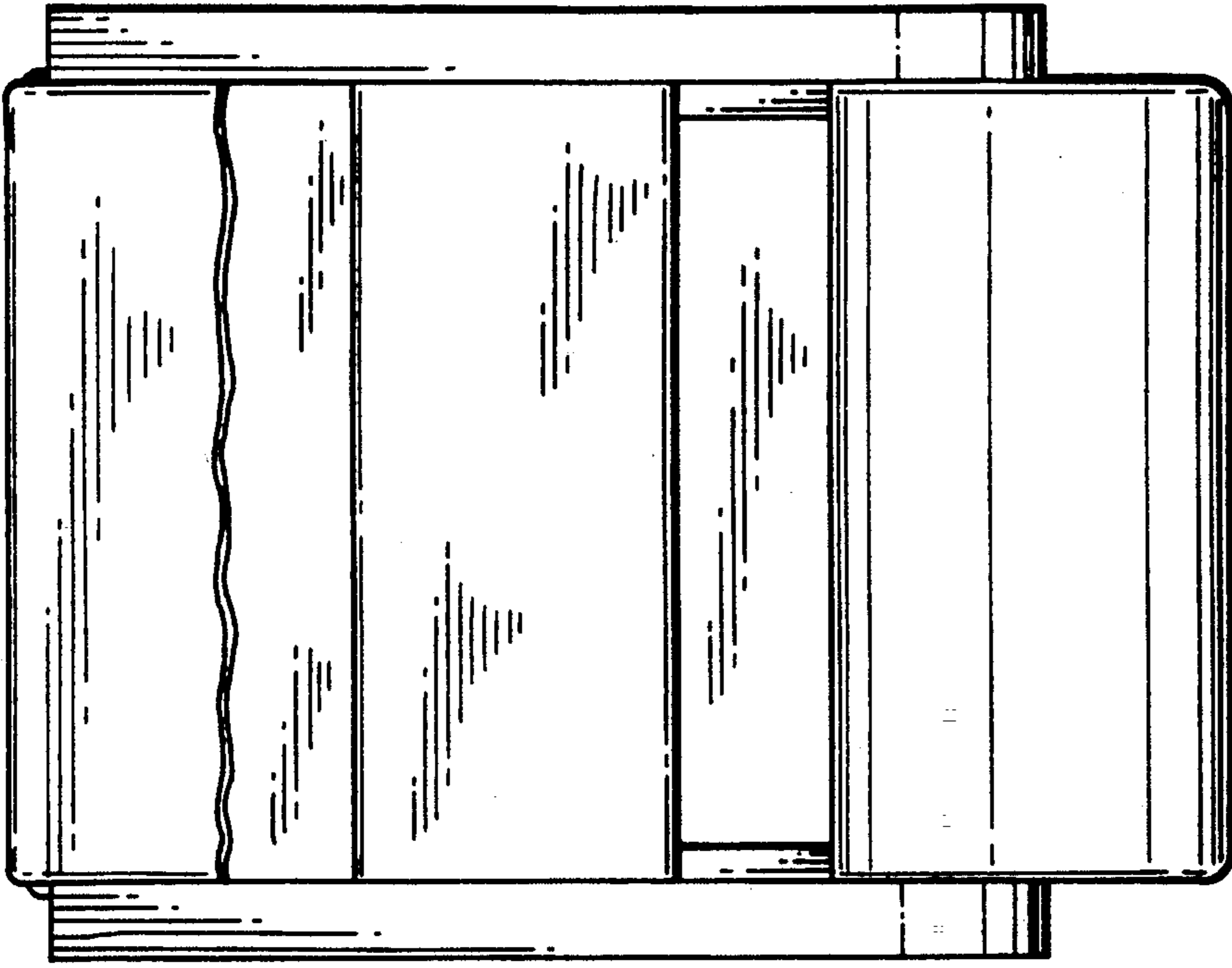


FIG. 6

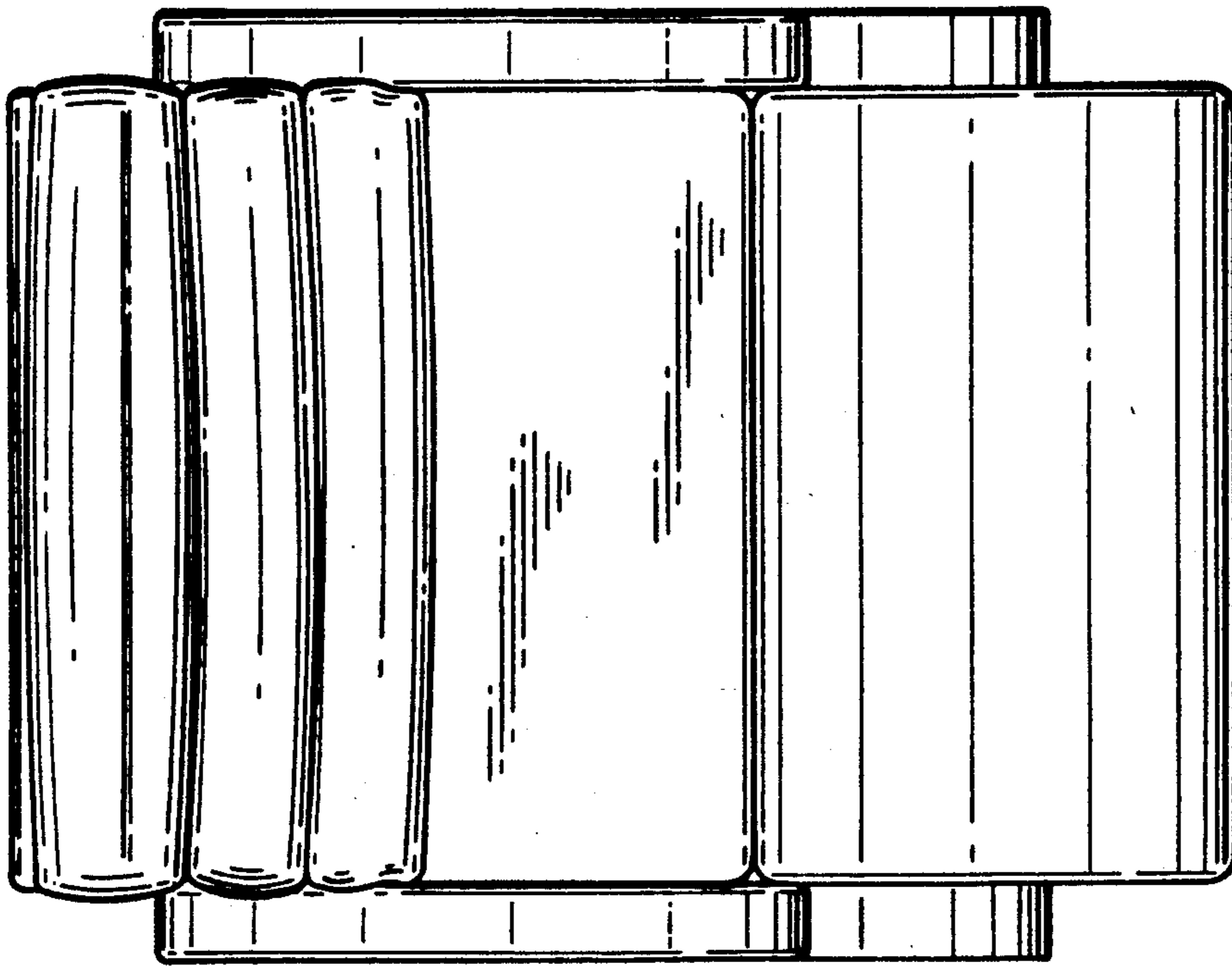


FIG. 5