



US00D328819S

United States Patent [19]

[11] Patent Number: **Des. 328,819**

Hanna et al.

[45] Date of Patent: **** Aug. 25, 1992**

[54] **TOOLBOX**

[75] Inventors: **Thomas E. Hanna; Keith E. Brightbill**, both of Wooster, Ohio

[73] Assignee: **Rubbermaid Incorporated**, Wooster, Ohio

[*] Notice: The portion of the term of this patent subsequent to Aug. 25, 2006 has been disclaimed.

[**] Term: **14 Years**

[21] Appl. No.: **471,126**

[22] Filed: **Jan. 26, 1990**

[52] U.S. Cl. **D3/78; D3/38; D3/72**

[58] Field of Search **D3/38, 78, 70, 72, 73, D3/74, 76, 37, 99, 30.1, 40; 312/220, 216, DIG. 33, 266, 269; 206/315.11, 315.1, 373; 43/54.1; 220/331, 334; 190/111; D9/423, 424**

[56] **References Cited**

U.S. PATENT DOCUMENTS

D. 158,368	5/1950	Felts et al.	D3/38
D. 220,556	4/1971	Evans	D3/99
D. 227,517	6/1973	Minneman	D3/78
D. 232,129	7/1974	Evans	D3/1
D. 237,121	10/1975	Metzner	D3/2
D. 246,071	10/1977	Landell et al.	D3/38
D. 246,139	10/1977	Landell et al.	D87/1 R
D. 246,548	11/1977	Uyeda	D87/1 R
D. 278,096	3/1985	Wacker et al.	D3/38
D. 280,015	8/1985	Sarajian	D3/78 X
D. 282,217	1/1986	Seynhaeve	D3/76 X
D. 306,016	2/1990	Dickenson et al.	D3/72
D. 314,666	2/1991	Lanius	D3/30 X
3,346,733	10/1967	Woolworth	240/6.4
3,606,511	9/1971	Henning et al.	312/266
3,612,635	8/1969	Uyeda et al.	312/269 X
3,747,796	7/1973	Kneier et al.	220/29

3,985,409	10/1976	Kneier	312/271
4,474,291	10/1984	Fortson	206/315.11
4,729,474	3/1988	Lanius et al.	206/315.11
4,739,577	4/1988	Lanius	43/54.1
4,775,199	10/1988	Lanius et al.	312/220

OTHER PUBLICATIONS

Disston brochure, 1989, The Disston Company, P.O. Box 3000, Danville, Va. 24543.

MTM Tool Gard brochure, MTM Molded Products Company, P.O. Box 14117, Dayton, Ohio 45414.

GSC brochure, GSC Technology Corporation, Champlain, N.Y.

Plano catalog, 1989, Plano Molding Company, 431 E. South St., P.O. Box 189, Plano, Ill. 60545-0189.

Flambeau catalog, 1989, Flambeau Products Corporation, Hardware Division, 15981 Valplast Rd., Middlefield, Ohio 44062.

Contico catalog, 1989, Contico, St. Louis, Mo. 63132.

Ekco catalog, 1989, Ekco Specialty Products, 165 W. Chicago Ave., Chicago, Ill. 60610.

Primary Examiner—Donald P. Walsh

Assistant Examiner—M. N. Pandozzi

Attorney, Agent, or Firm—Renner, Kenner, Greive, Bobak, Taylor & Weber

[57] **CLAIM**

The ornamental design for a toolbox, as shown and described.

DESCRIPTION

FIG. 1 is a top, front, left perspective view of a toolbox showing our new design;

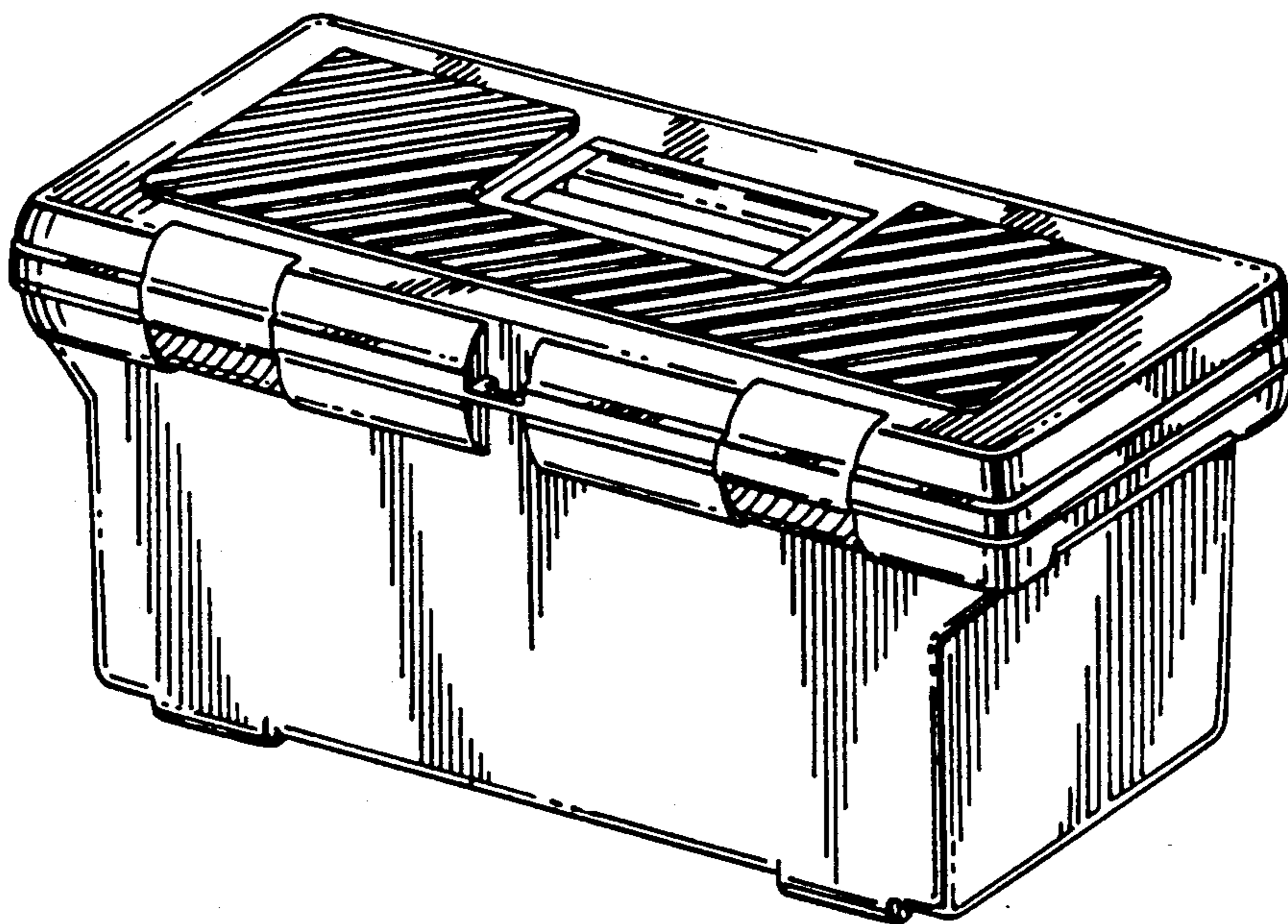
FIG. 2 is a front elevational view thereof;

FIG. 3 is a rear elevational view thereof;

FIG. 4 is a top plan view thereof;

FIG. 5 is a bottom plan view thereof; and,

FIG. 6 is a left side elevational view, the right side elevational view being a mirror image thereof.



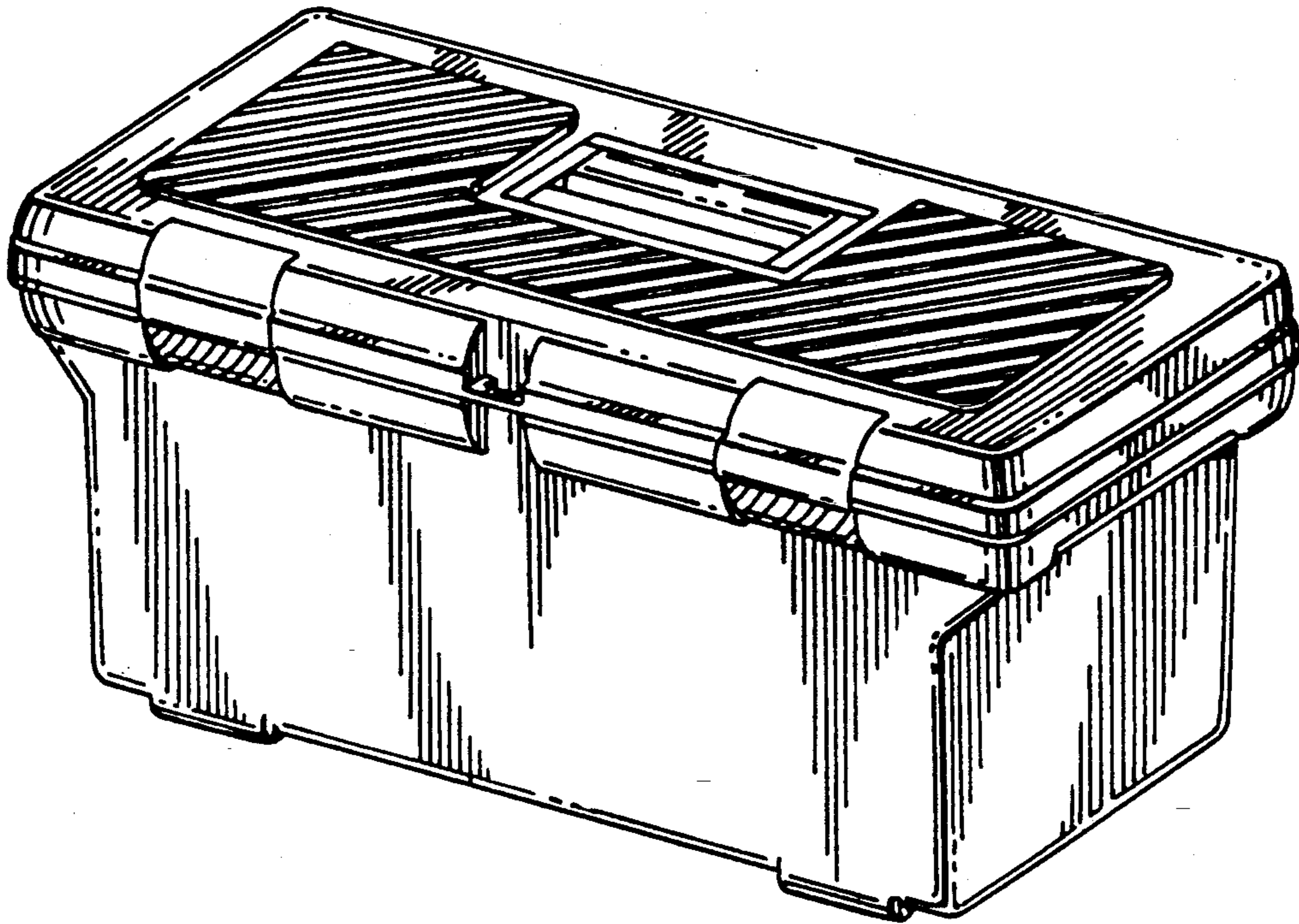


FIG. 1

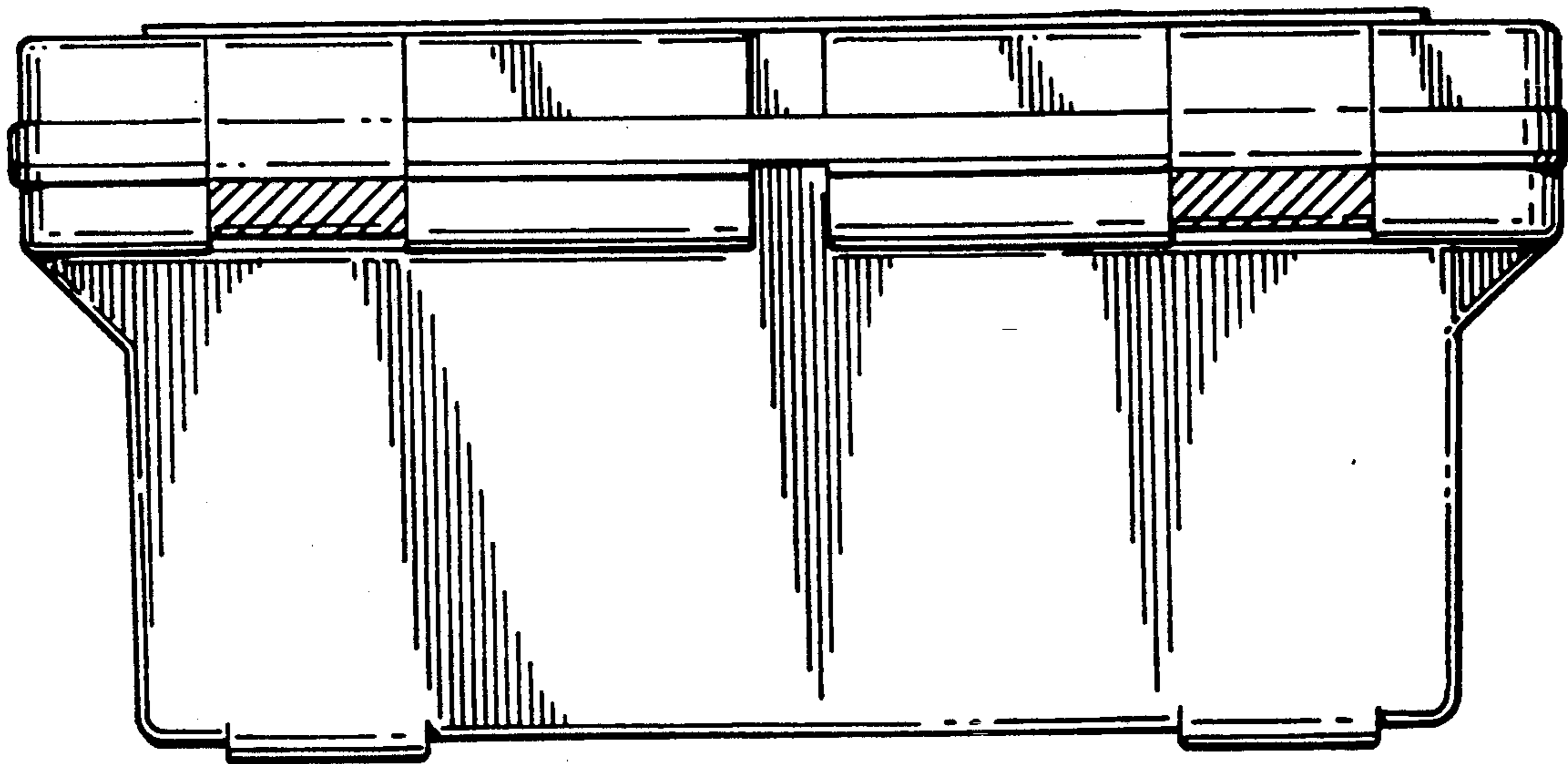


FIG. 2

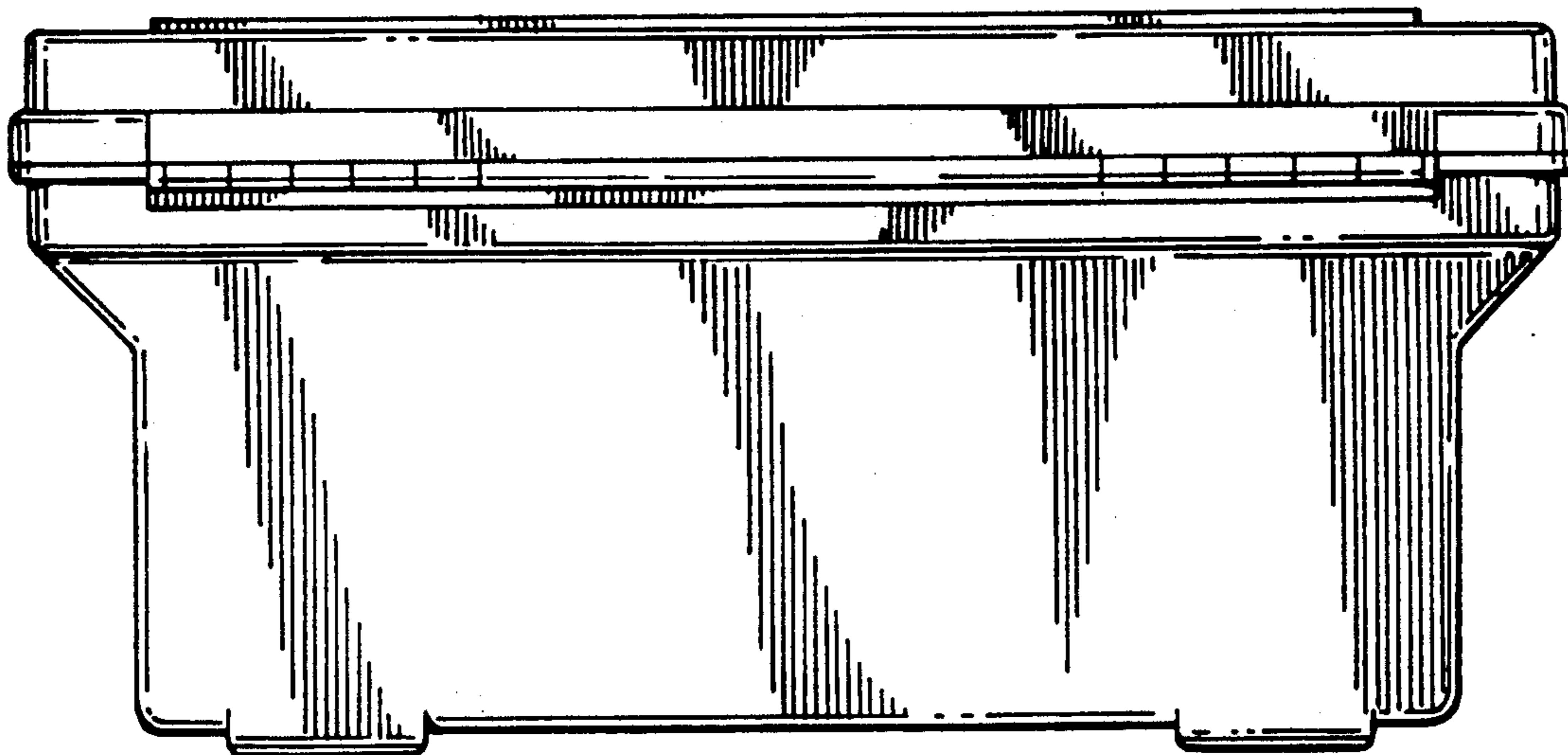


FIG. 3

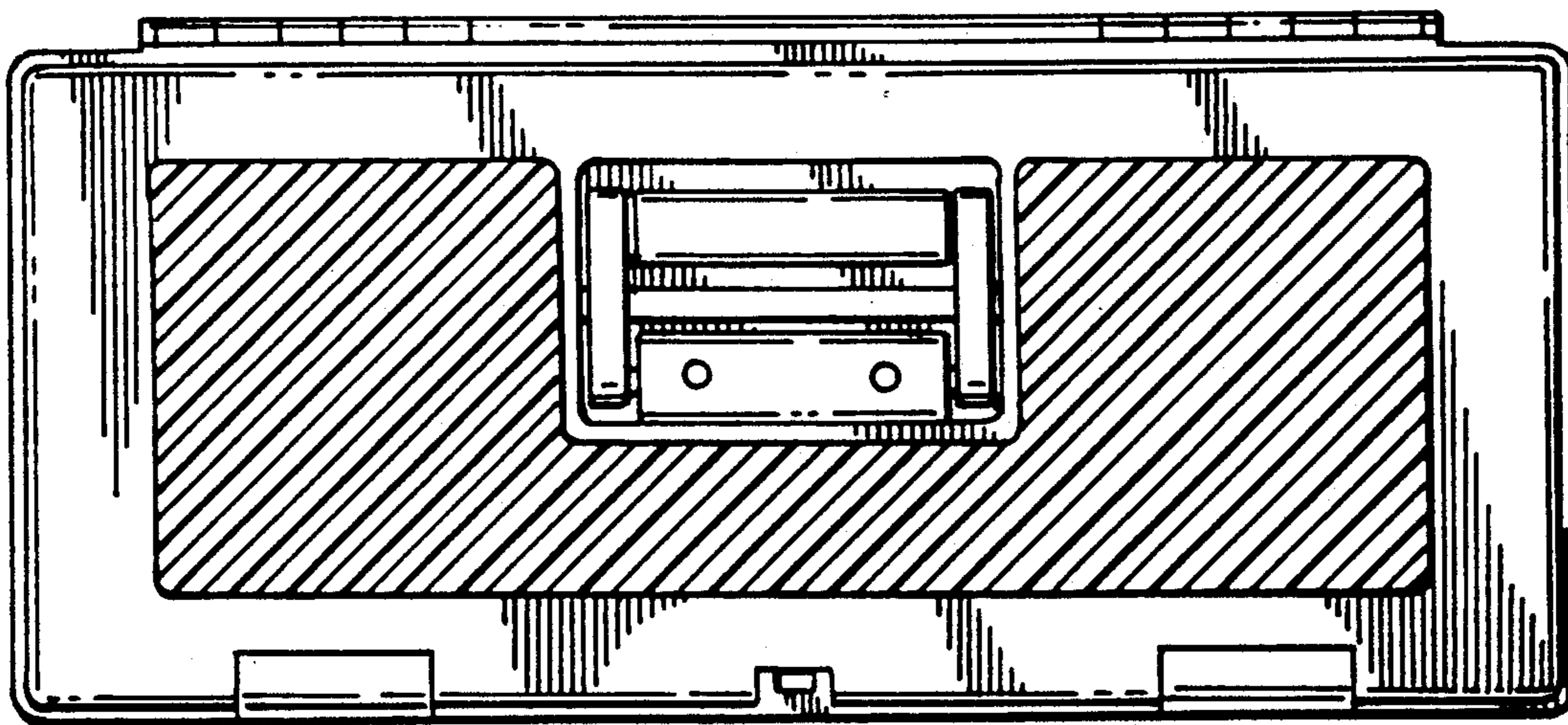


FIG. 4

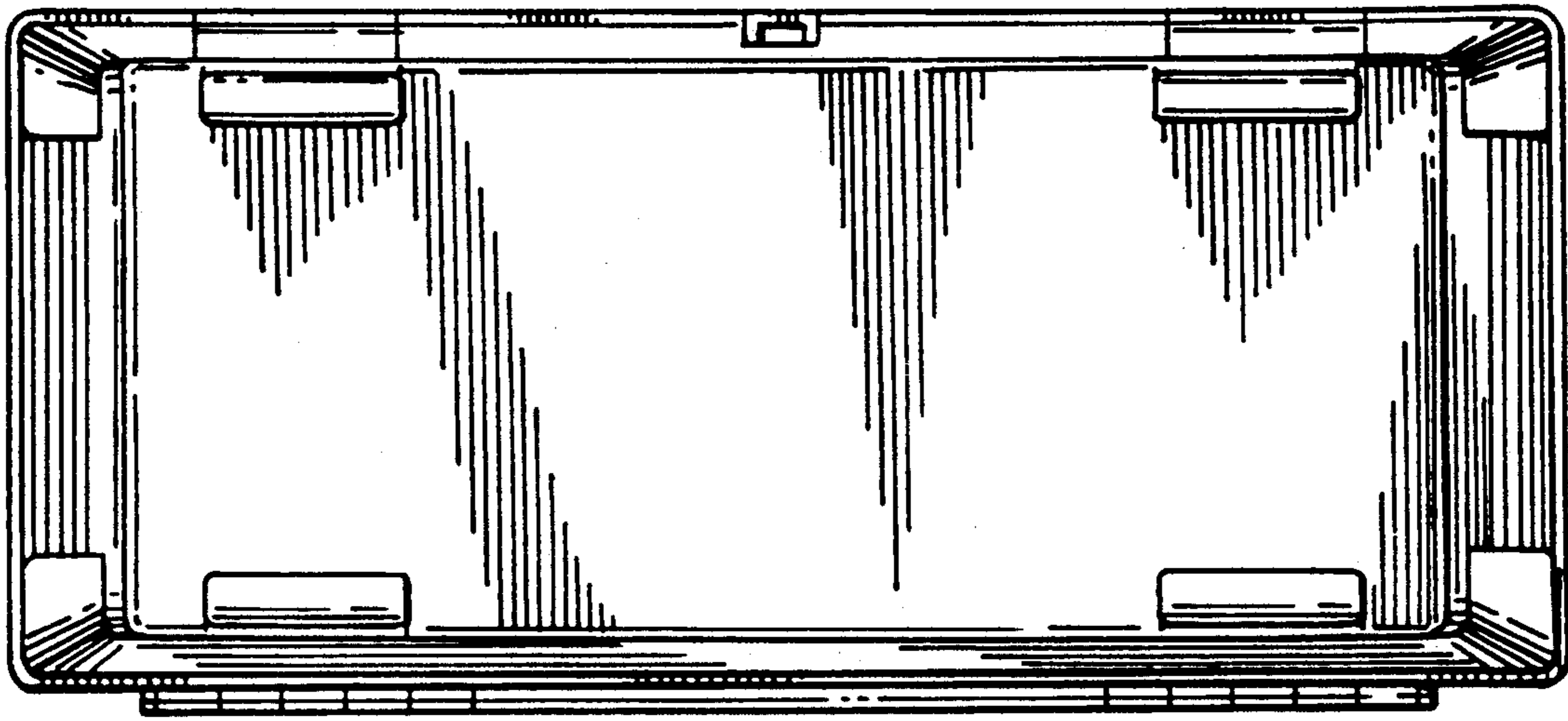


FIG. 5

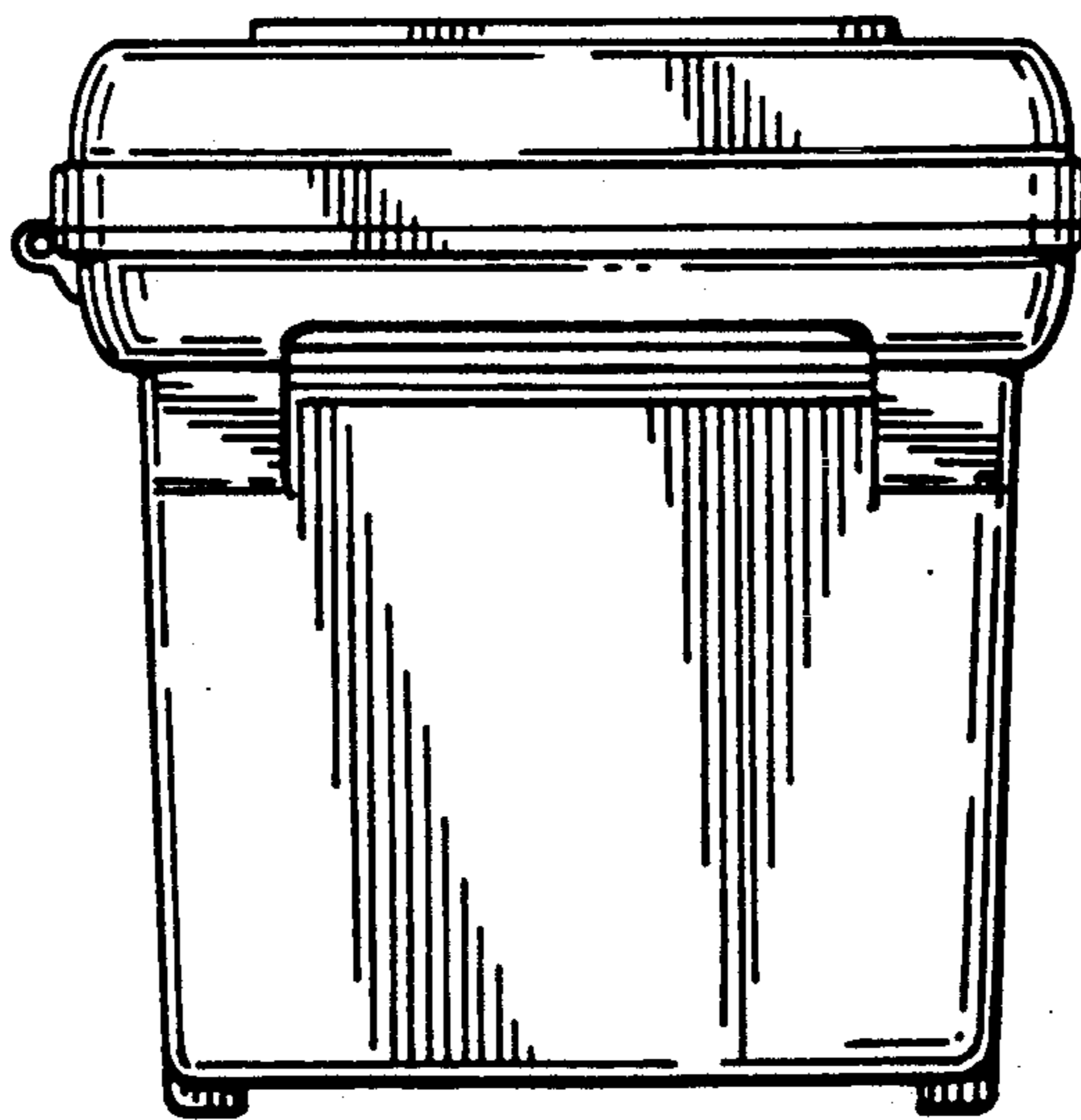


FIG. 6