



US00D328812S

# United States Patent [19]

[11] Patent Number: **Des. 328,812**

**Pritchett**

[45] Date of Patent: **\*\* Aug. 18, 1992**

[54] **HANDLE COVER FOR A SHOPPING CART**

*Primary Examiner—Kay H. Chin*

[76] Inventor: **Jeanne S. Pritchett, 909 Broad St.,  
Wilson, N.C. 27893**

[57] **CLAIM**

The ornamental design for a handle cover for a shopping cart, as shown and described.

[\*\*] Term: **14 Years**

### DESCRIPTION

[21] Appl. No.: **514,047**

[22] Filed: **Apr. 26, 1990**

[52] U.S. Cl. .... **D34/27**

[58] Field of Search ..... **D34/27; 280/33.992;  
16/DIG. 12, DIG. 24, DIG. 25, 111 A, 114 R**

FIG. 1 is a top plan view of a handle cover for a shopping cart showing my new design;

FIG. 2 is a bottom plan view thereof;

FIG. 3 is a top plan view of a second embodiment of the handle cover for a shopping cart, the bottom plan view being a mirror image of that shown;

FIG. 4 is a perspective view thereof, in a wrapped condition; and,

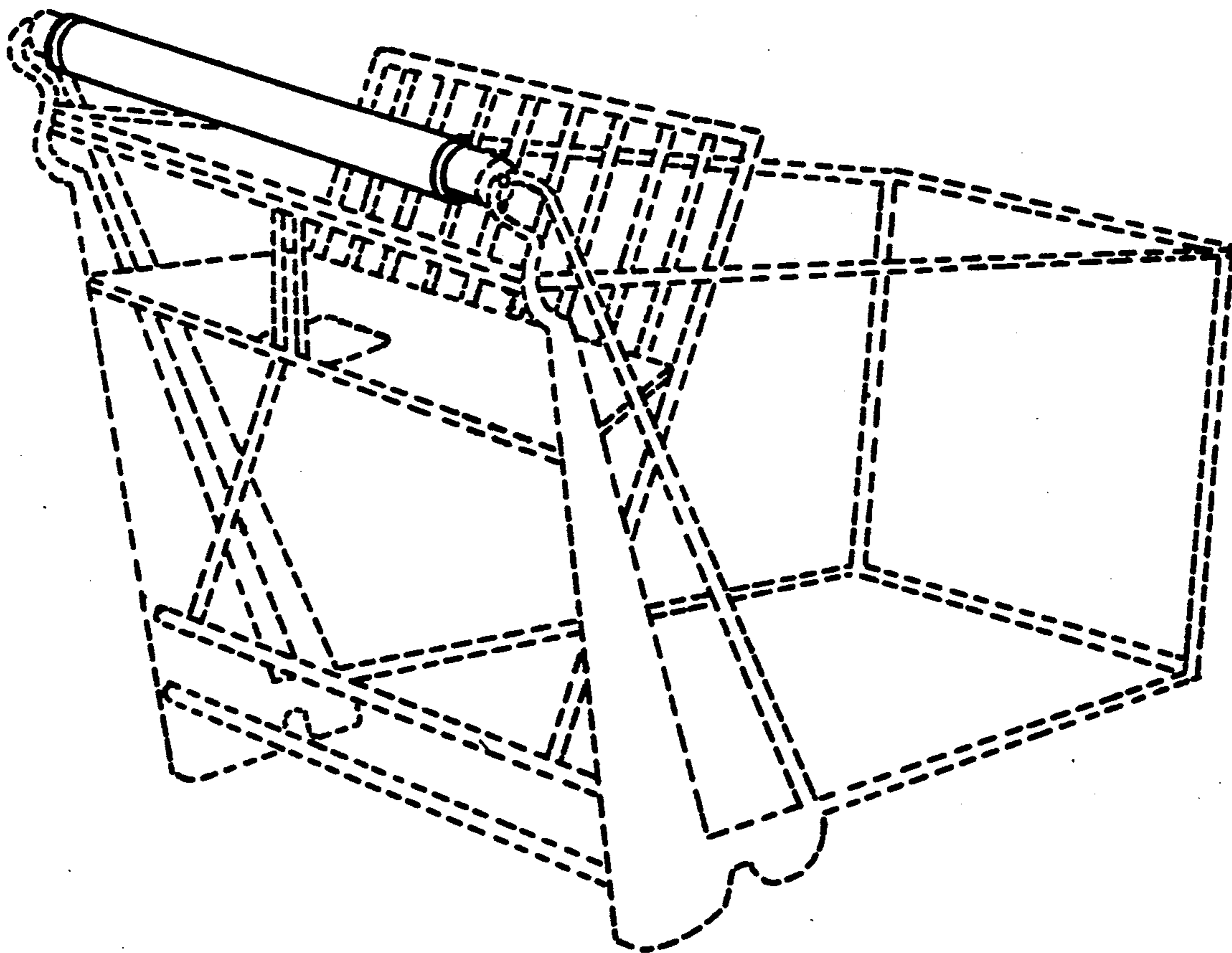
FIG. 5 is a perspective view thereof, showing the design wrapped around and attached to a shopping cart handle.

### [56] References Cited

#### U.S. PATENT DOCUMENTS

2,262,436	11/1941	Cotton	.....	D6/607
2,803,849	8/1957	Peters	.....	16/111 A
2,918,741	12/1959	Welter et al.	.....	280/33.992
3,866,649	2/1975	Bergmann	.....	280/33.992
4,805,937	2/1989	Boucher et al.	.....	280/33.992
4,881,746	11/1989	Andreesen	.....	280/33.992

The broken lines are for illustrative purposes only and form no part of the claimed design.



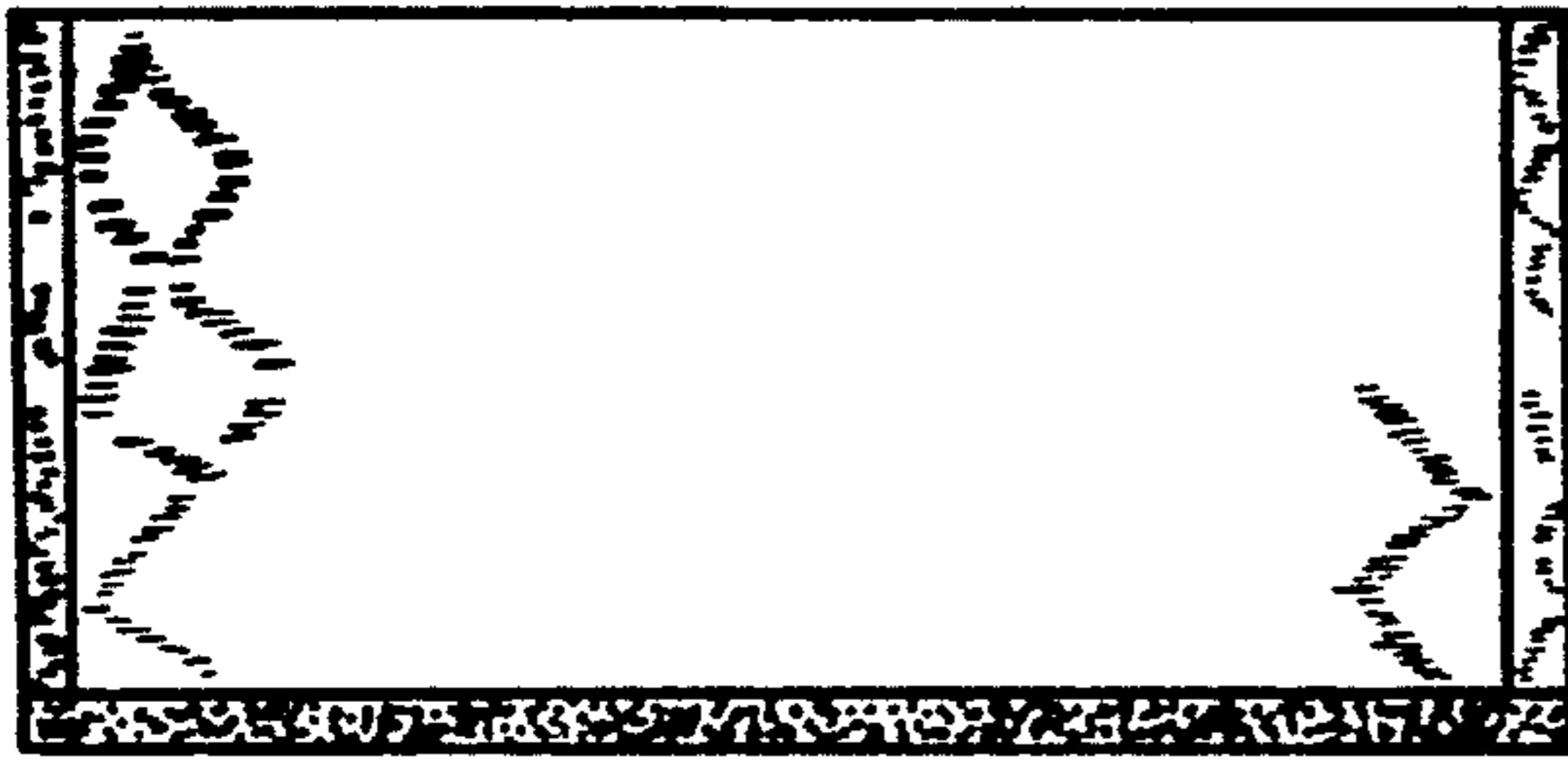


FIG. 1



FIG. 2

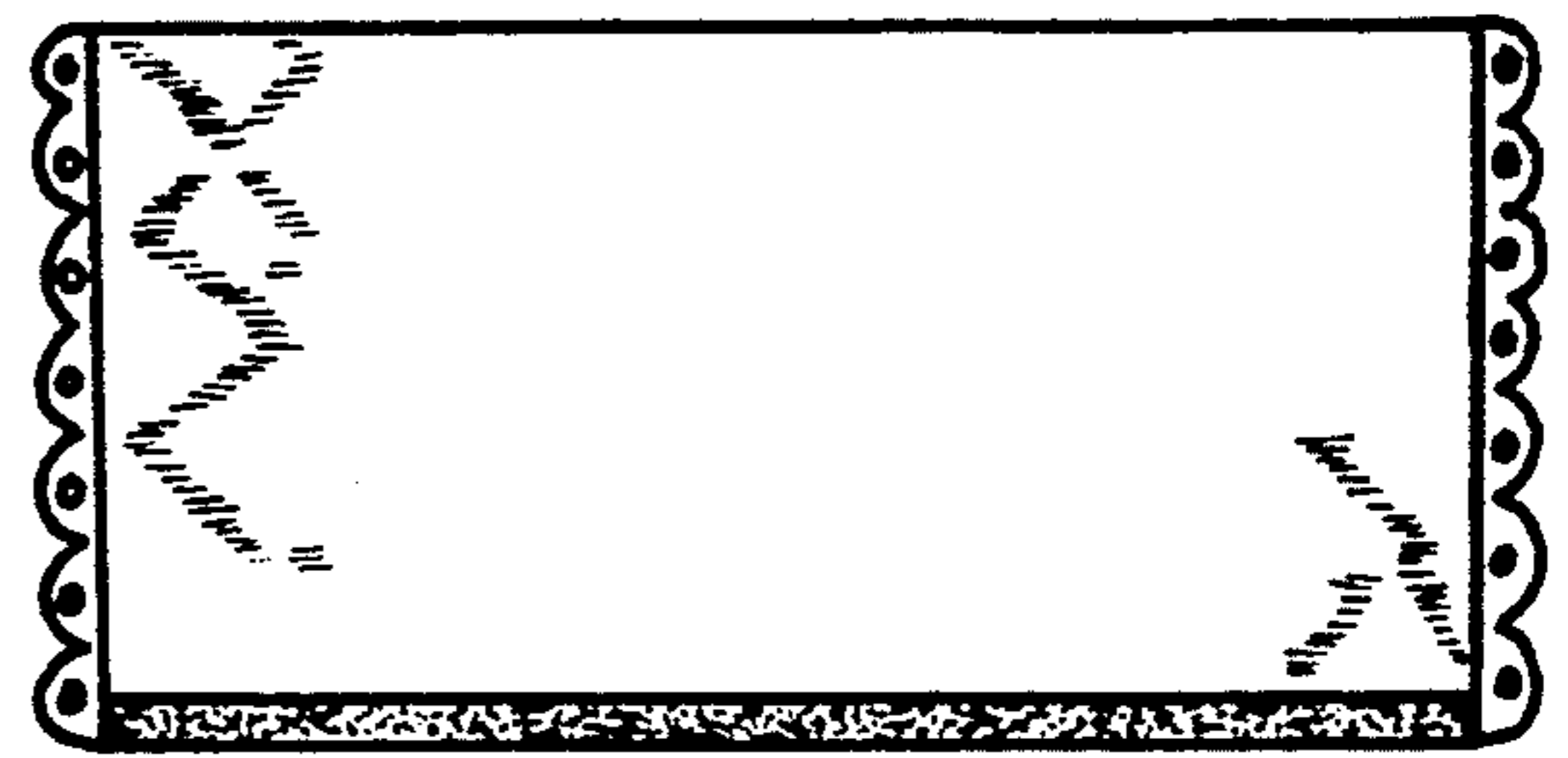


FIG. 3

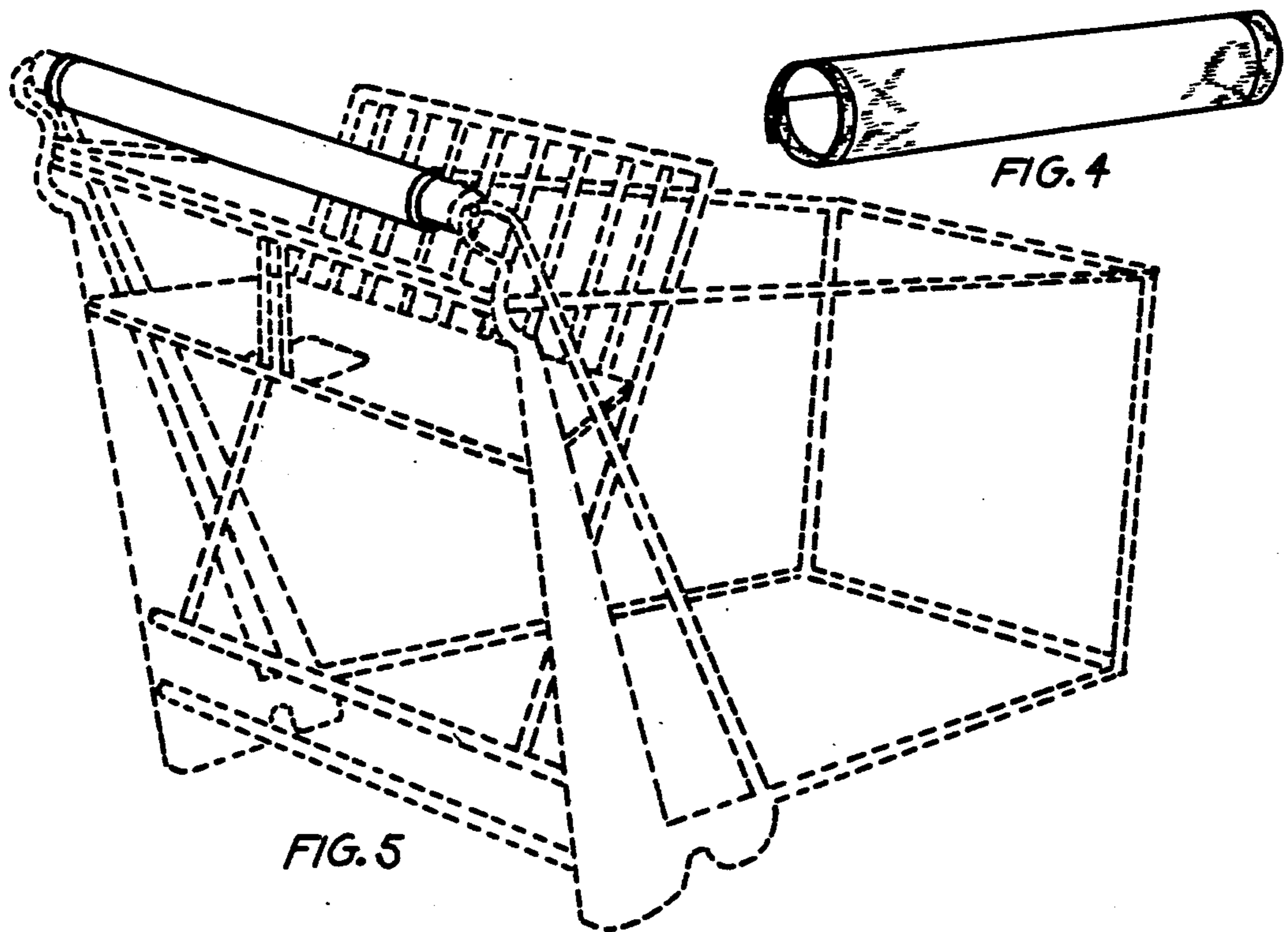


FIG. 4

FIG. 5