



US00D328810S

# United States Patent [19]

[11] Patent Number: **Des. 328,810**

Boothe et al.

[45] Date of Patent: \*\* Aug. 18, 1992

[54] **SYRINGE COLLECTION CONTAINER OR THE LIKE**

[75] Inventors: **Bobby L. Boothe; Edward P. Godsey,**  
both of Roanoke, Va.

[73] Assignee: **Chesapeake Packaging Company,**  
Richmond, Va.

[\*\*] Term: **14 Years**

[21] Appl. No.: **590,148**

[22] Filed: **Sep. 28, 1990**

[52] U.S. Cl. .... **D34/11; D34/1**

[58] Field of Search ..... **D34/1, 10, 4, 7, 11;**  
**220/908, 909, 910; 229/162, 117, 122, 921,**  
**125.02, 165; D9/418, 432; 206/270, 366, 216,**  
**457**

[56] **References Cited**

**U.S. PATENT DOCUMENTS**

4,121,755	10/1978	Meseke et al. ....	229/38
4,315,592	2/1982	Smith .....	229/38
4,380,289	4/1983	Bigelow .....	206/216

4,447,004	5/1984	House et al. ....	229/154
4,674,676	6/1987	Sandel et al. ....	229/142
4,809,850	3/1989	Laible et al. ....	206/366
4,917,243	4/1990	Abrams et al. ....	206/365
4,922,597	5/1990	Ikeda et al. ....	29/240
4,927,076	5/1990	Simpson .....	229/132
4,969,554	11/1990	Sawaya .....	206/366

*Primary Examiner—Kay H. Chin*  
*Attorney, Agent, or Firm—Joseph G. Seeber*

[57] **CLAIM**

The ornamental design for a syringe collection container or the like, as shown and described.

**DESCRIPTION**

FIG. 1 is a top, front and right side perspective view of a syringe collection container or the like showing our new design;

FIG. 2 is a top plan view thereof;

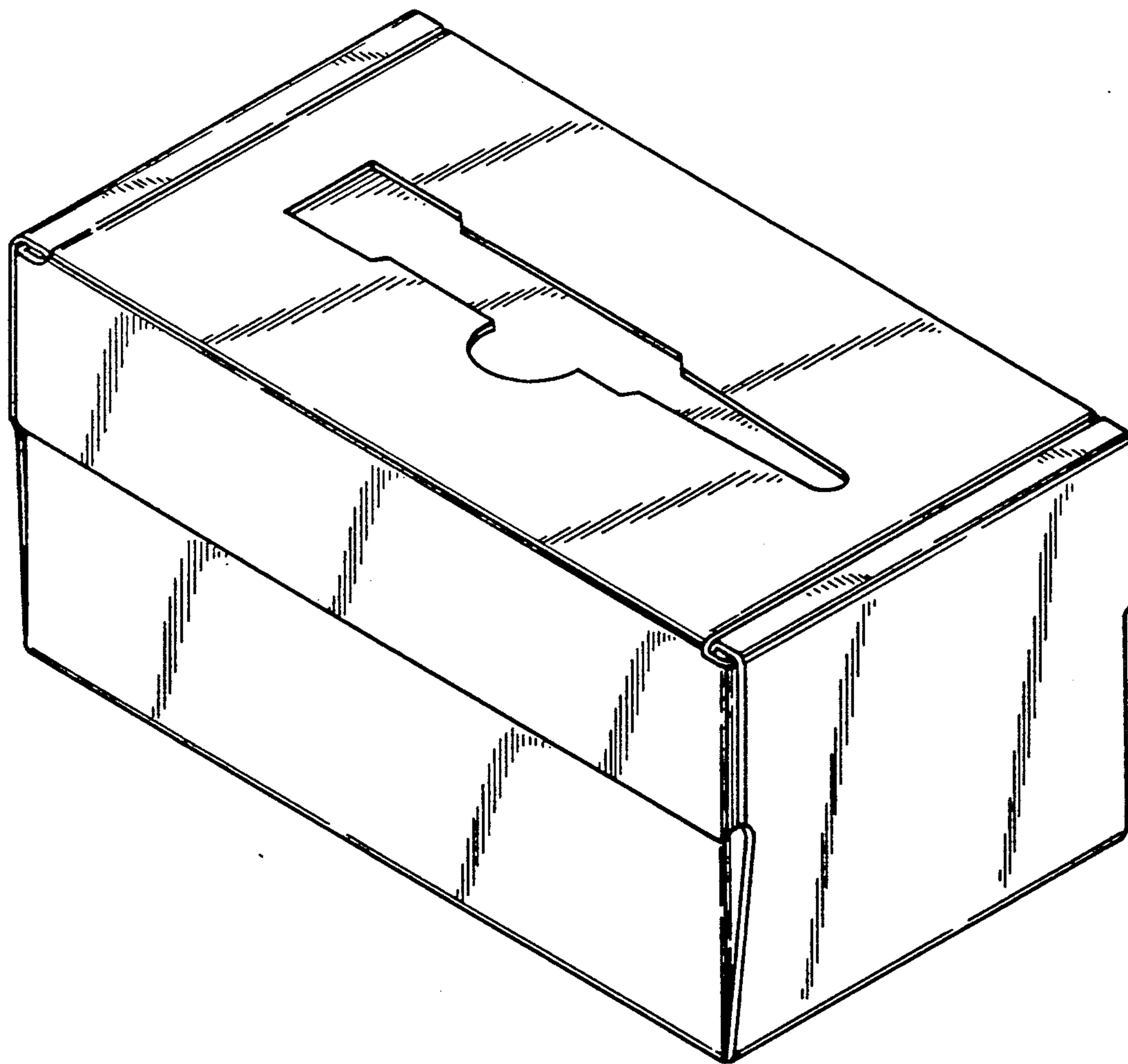
FIG. 3 is a bottom plan view thereof;

FIG. 4 is a front elevational view thereof;

FIG. 5 is a rear elevational view thereof;

FIG. 6 is a left side elevational view thereof; and,

FIG. 7 is a right side elevational view thereof.



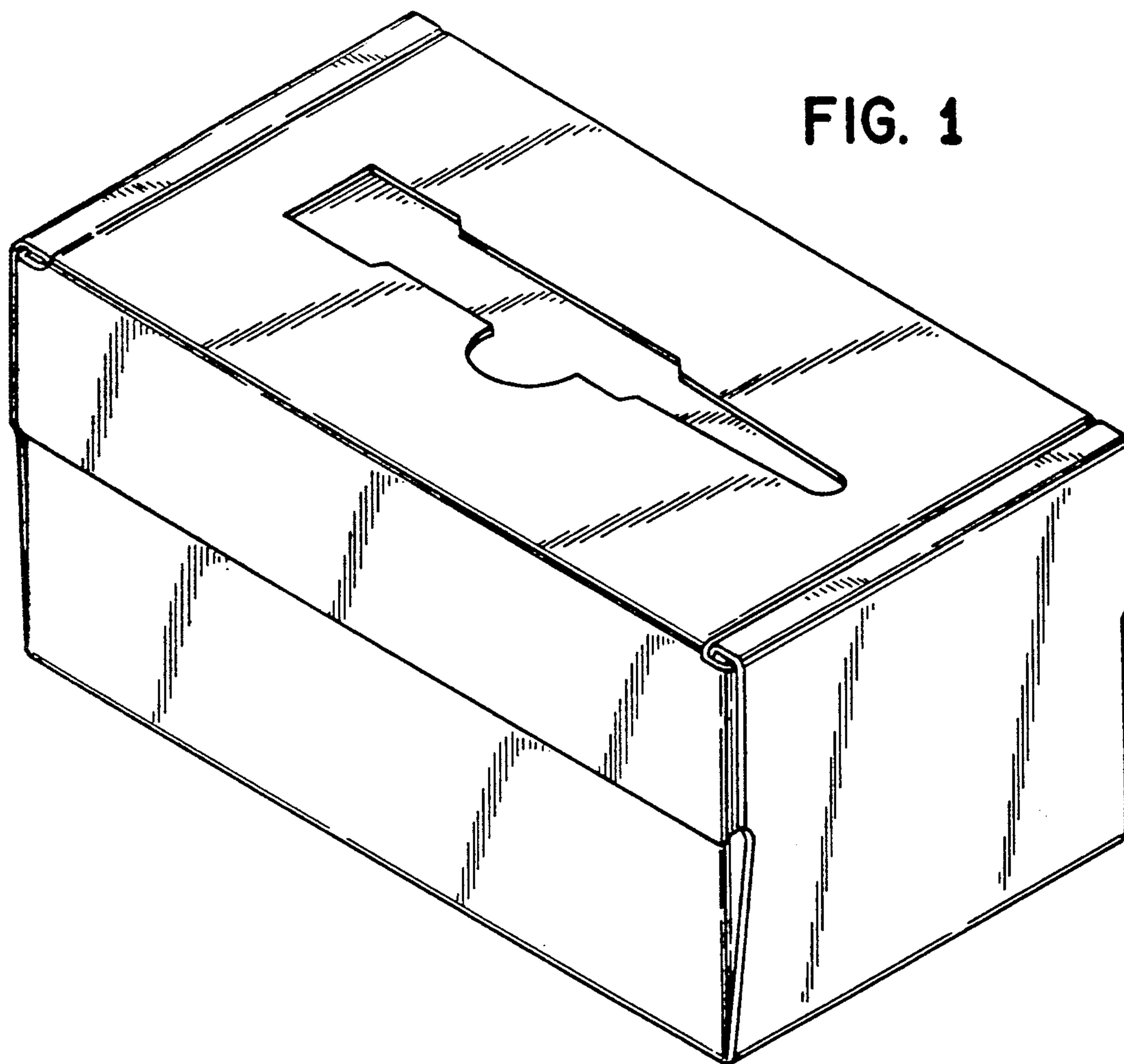


FIG. 2

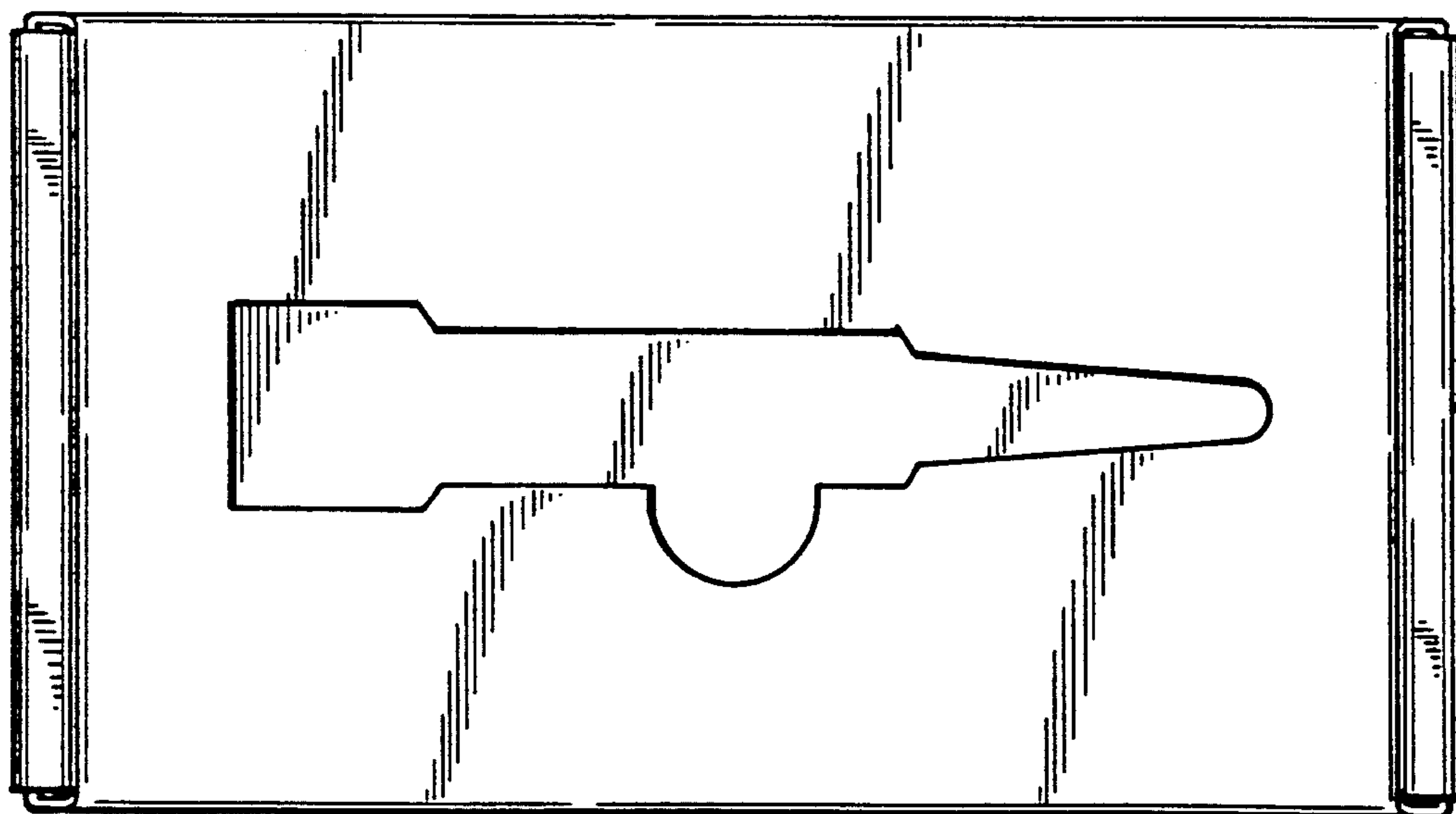


FIG. 3

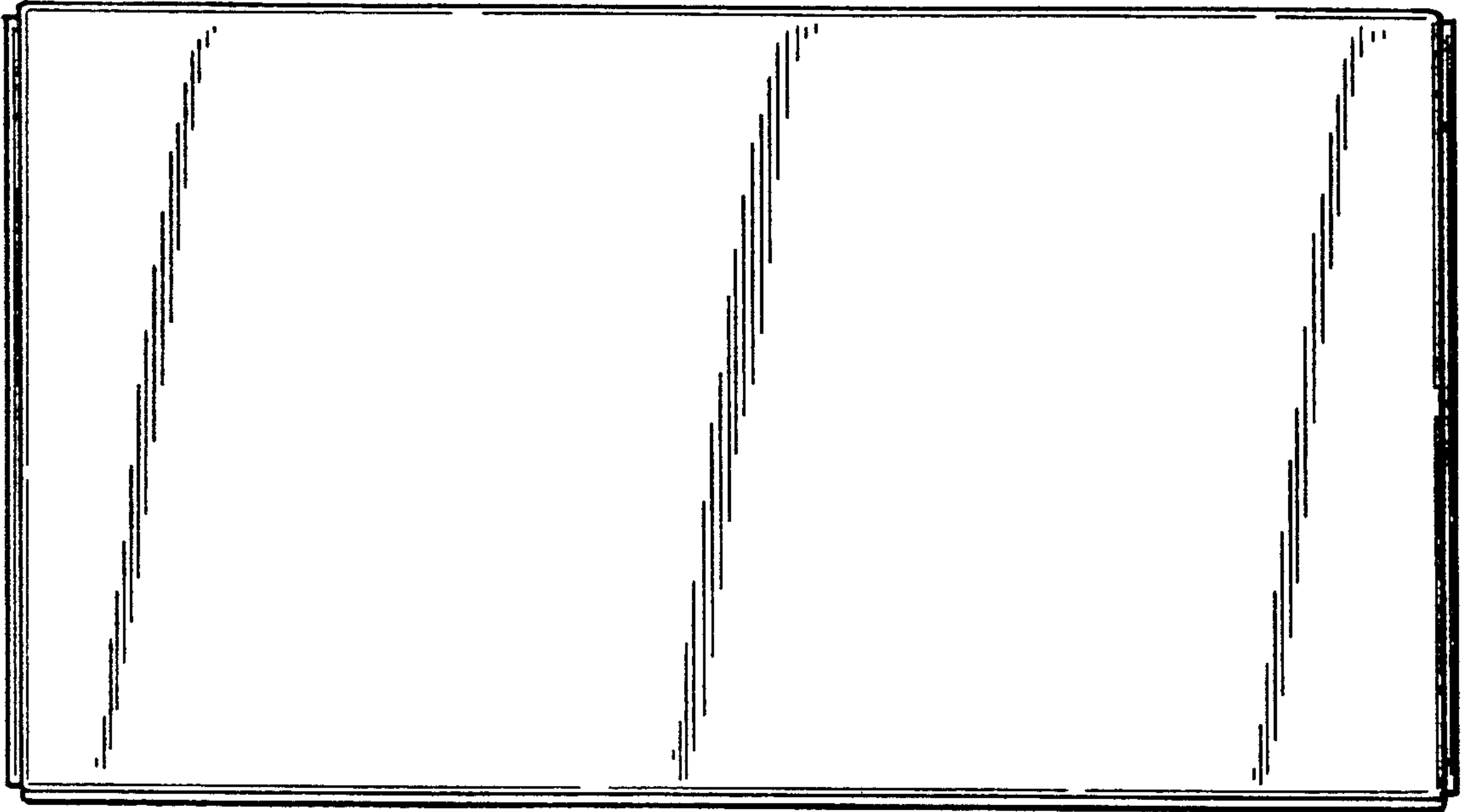


FIG. 4

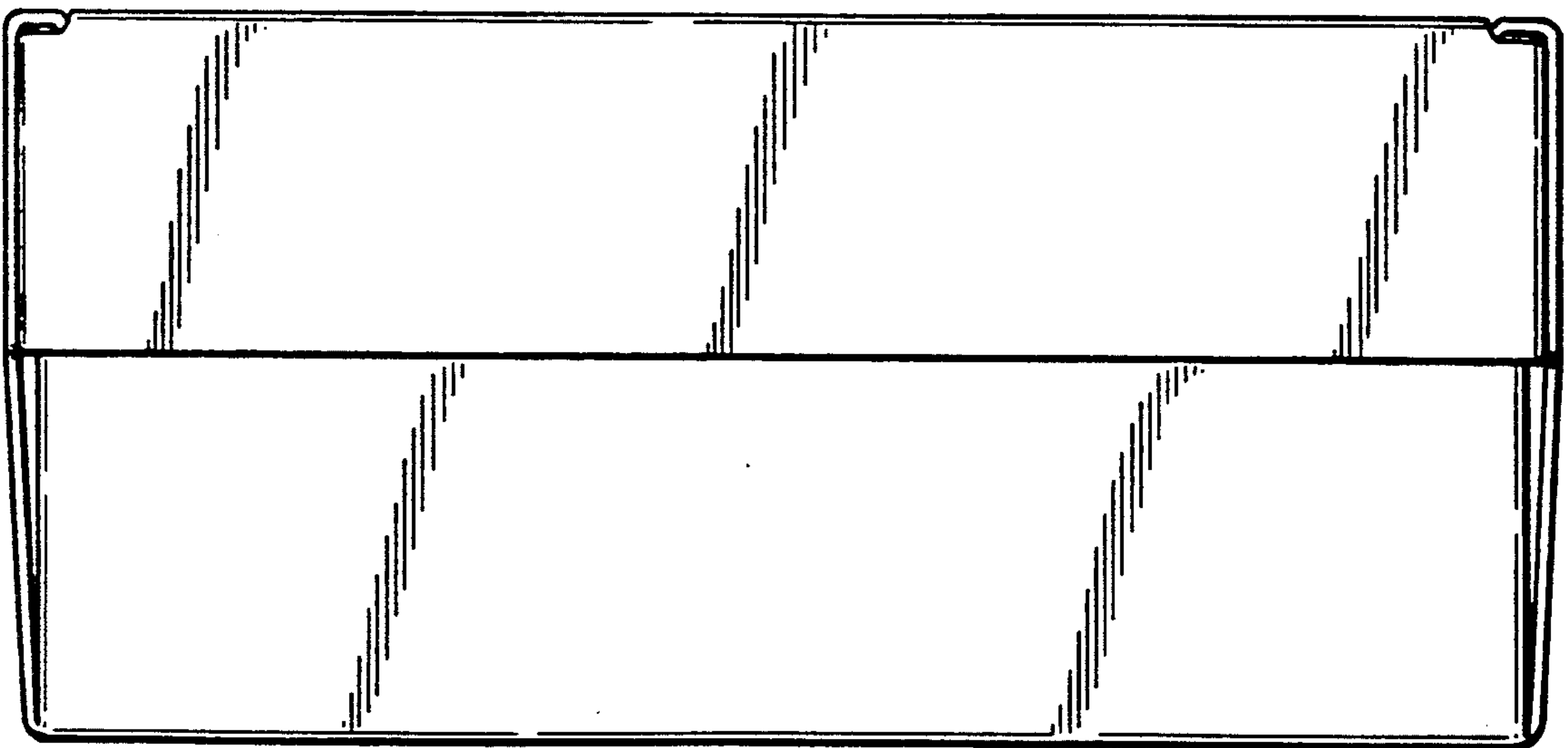


FIG. 5

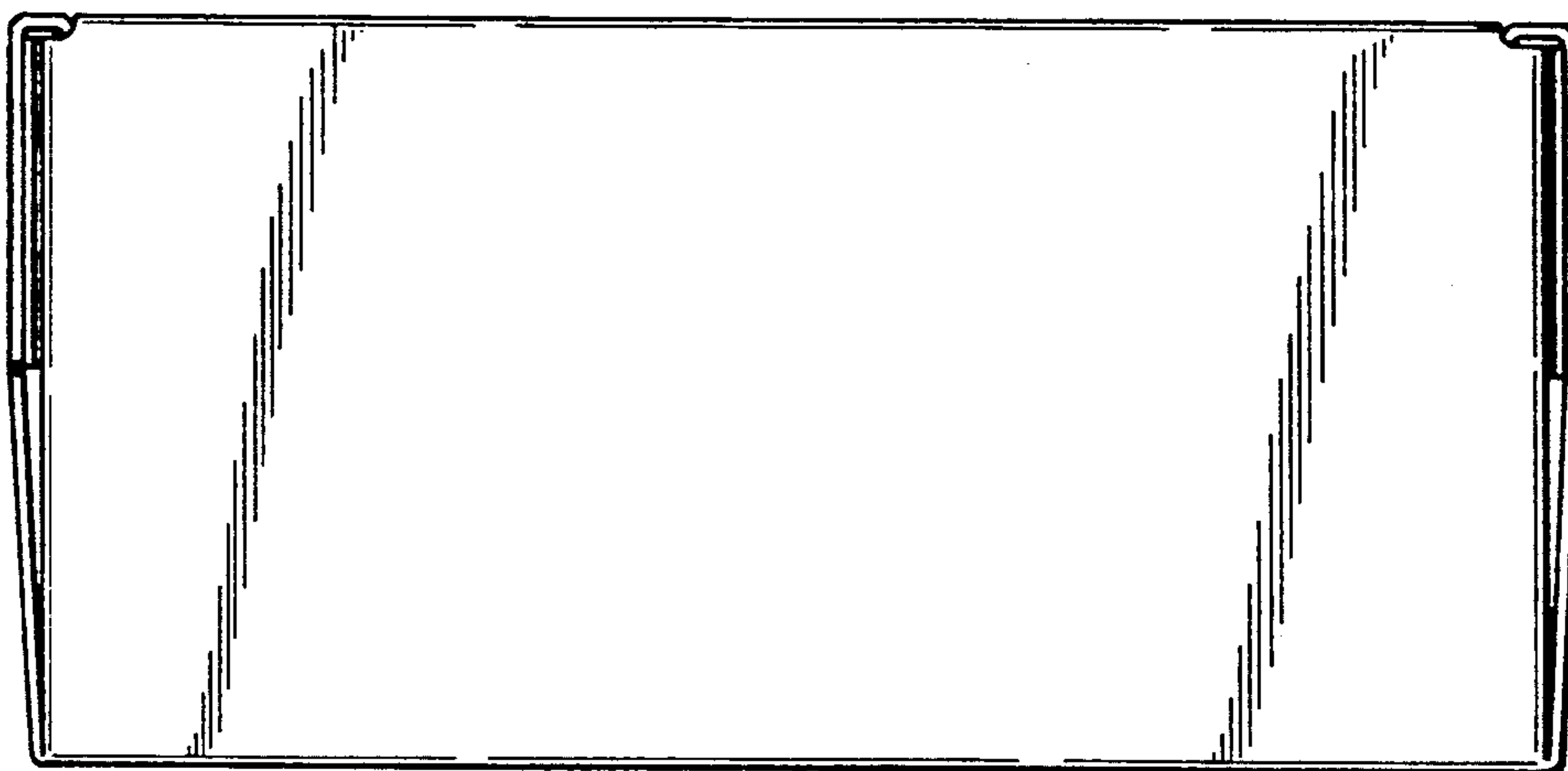


FIG. 6

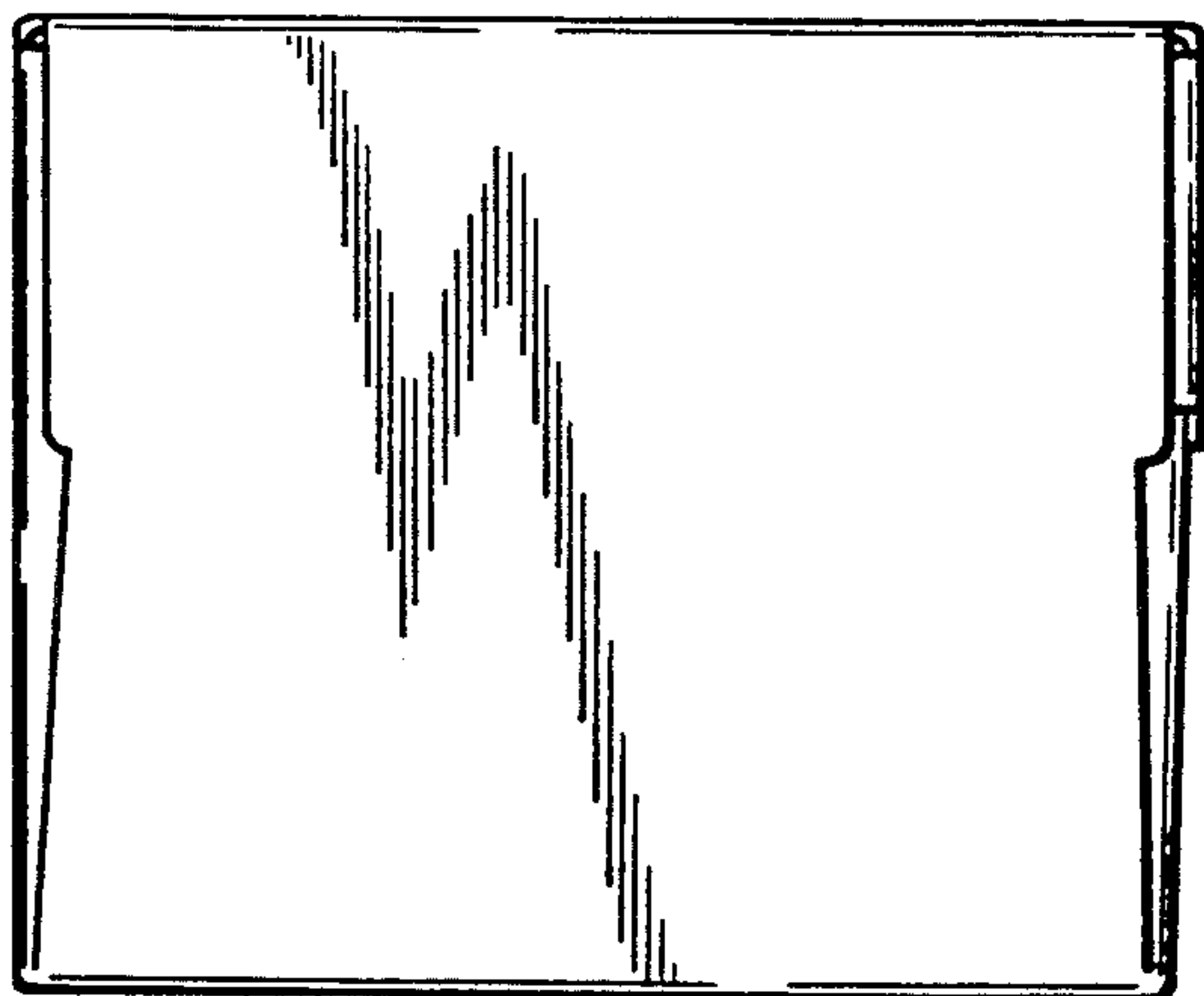


FIG. 7

