



US00D328809S

United States Patent [19]

[11] Patent Number: **Des. 328,809**

Shooter

[45] Date of Patent: **** Aug. 18, 1992**

[54] DUSTPAN

422,240	2/1890	Marshall	15/257.5
452,696	5/1891	Downing	15/257.1
1,106,282	8/1914	Coats	15/257.1
3,345,670	10/1967	Charie	15/257.1

[76] Inventor: **John F. Shooter, 4307 47th St., Lubbock, Tex. 79413**

[**] Term: **14 Years**

FOREIGN PATENT DOCUMENTS

[21] Appl. No.: **425,992**

1022961 3/1953 France 294/55

[22] Filed: **Oct. 24, 1989**

Primary Examiner—Wallace R. Burke

Assistant Examiner—Lavone D. Tabor

[52] U.S. Cl. **D32/74; D7/691**

[58] Field of Search **D7/691-692; D8/10, 14, 16, 19, 45; D32/74; 15/257.1-257.9; 294/54.5, 55**

[57] CLAIM

The ornamental design for a dustpan, as shown and described.

[56] References Cited

DESCRIPTION

U.S. PATENT DOCUMENTS

D. 28,025	12/1897	Payne	D32/74
234,644	11/1880	Alexander	15/257.1
D. 239,723	4/1976	Martin	D7/691 X
D. 250,164	11/1978	Speidel	D32/74
D. 254,705	4/1980	Whiteside	D8/10
268,636	12/1882	De Meza	15/257.1
411,855	10/1889	Cline	15/257.5

FIG. 1 is a perspective view of a dustpan showing my new design;

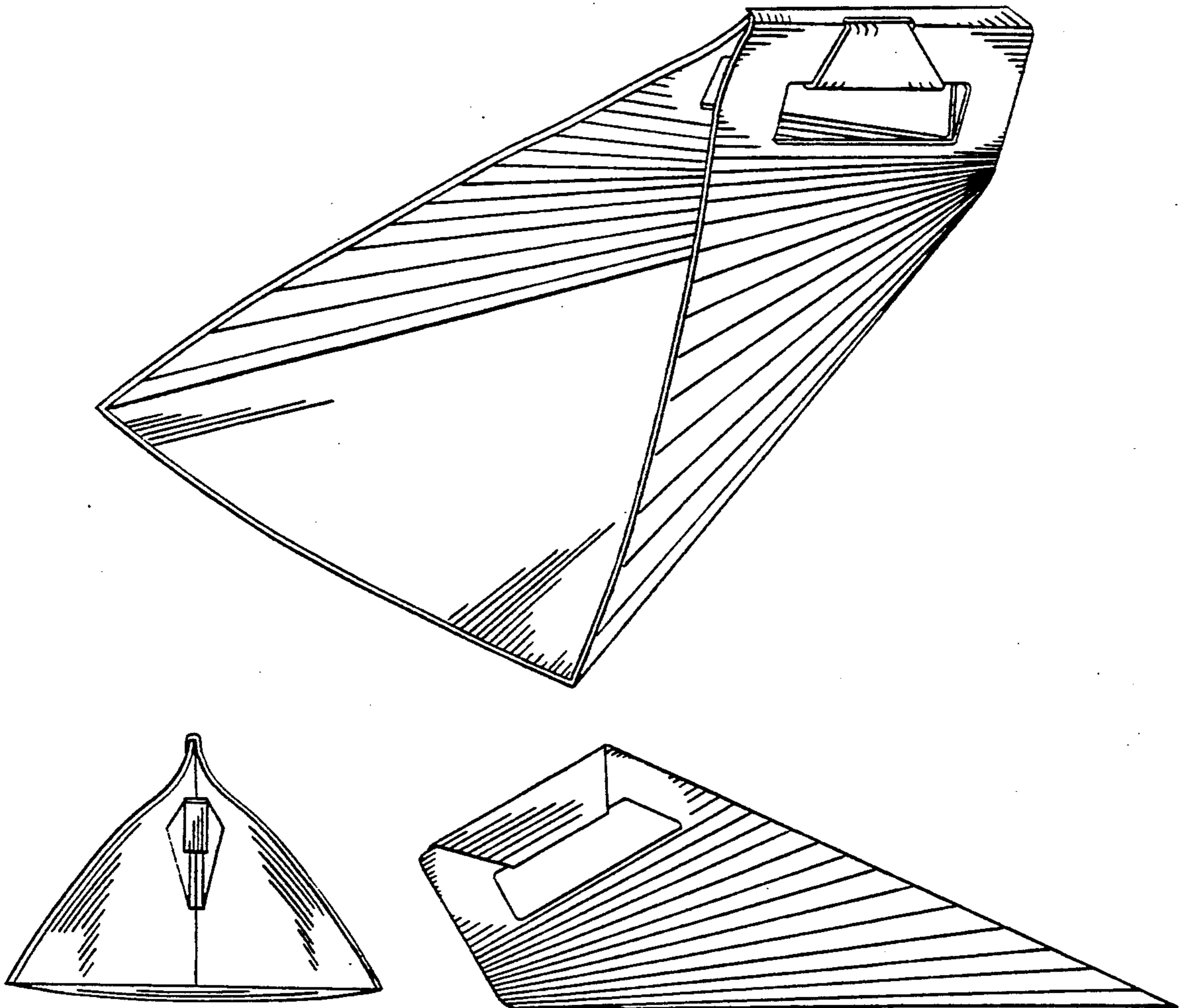
FIG. 2 is a reduced front elevational view thereof;

FIG. 3 is a side elevational view thereof;

FIG. 4 is a rear elevational view thereof; and,

FIG. 5 is an elevational view of the side opposite that shown in FIG. 3.

The undisclosed bottom is unornamented.



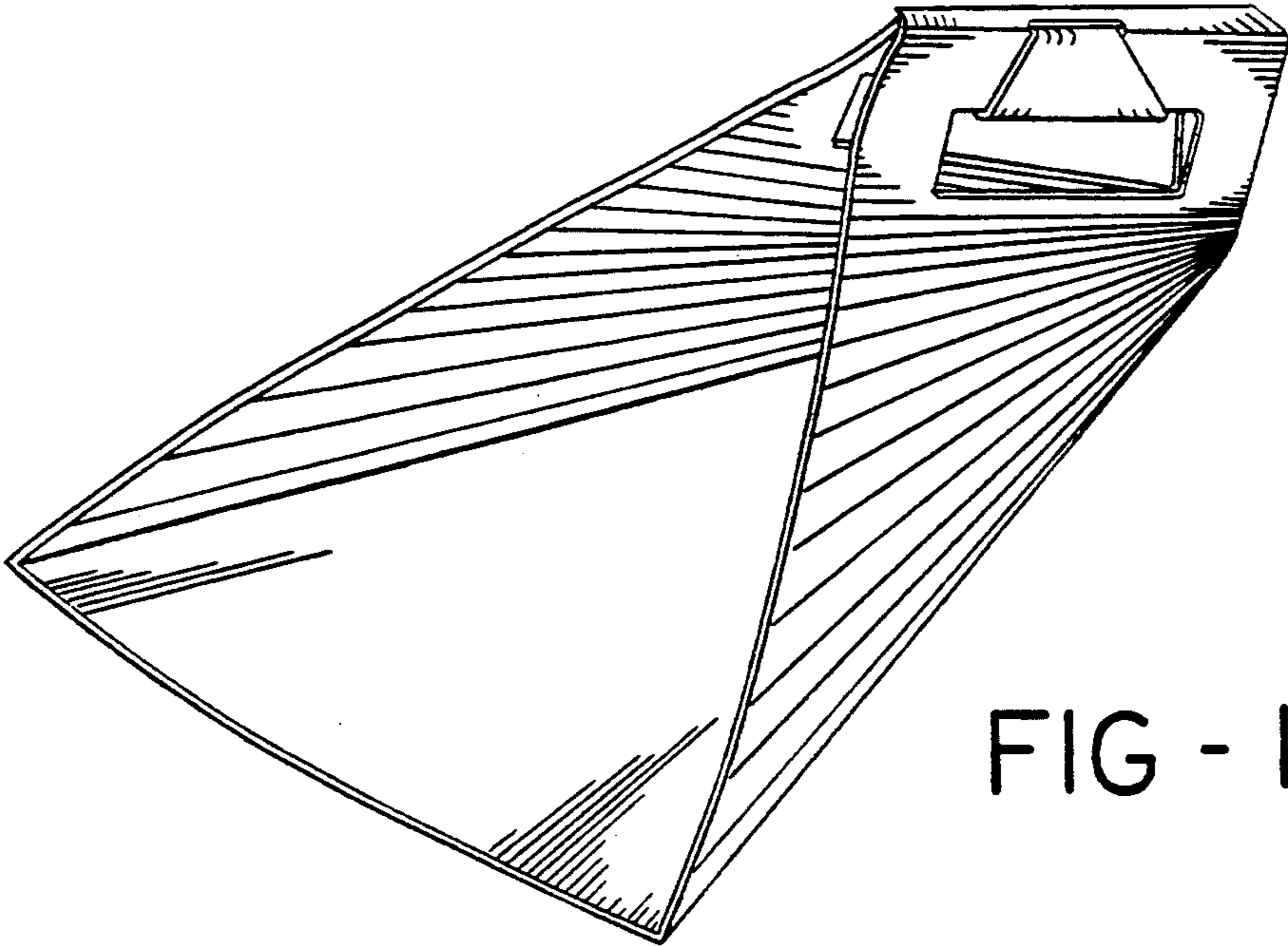


FIG - 1

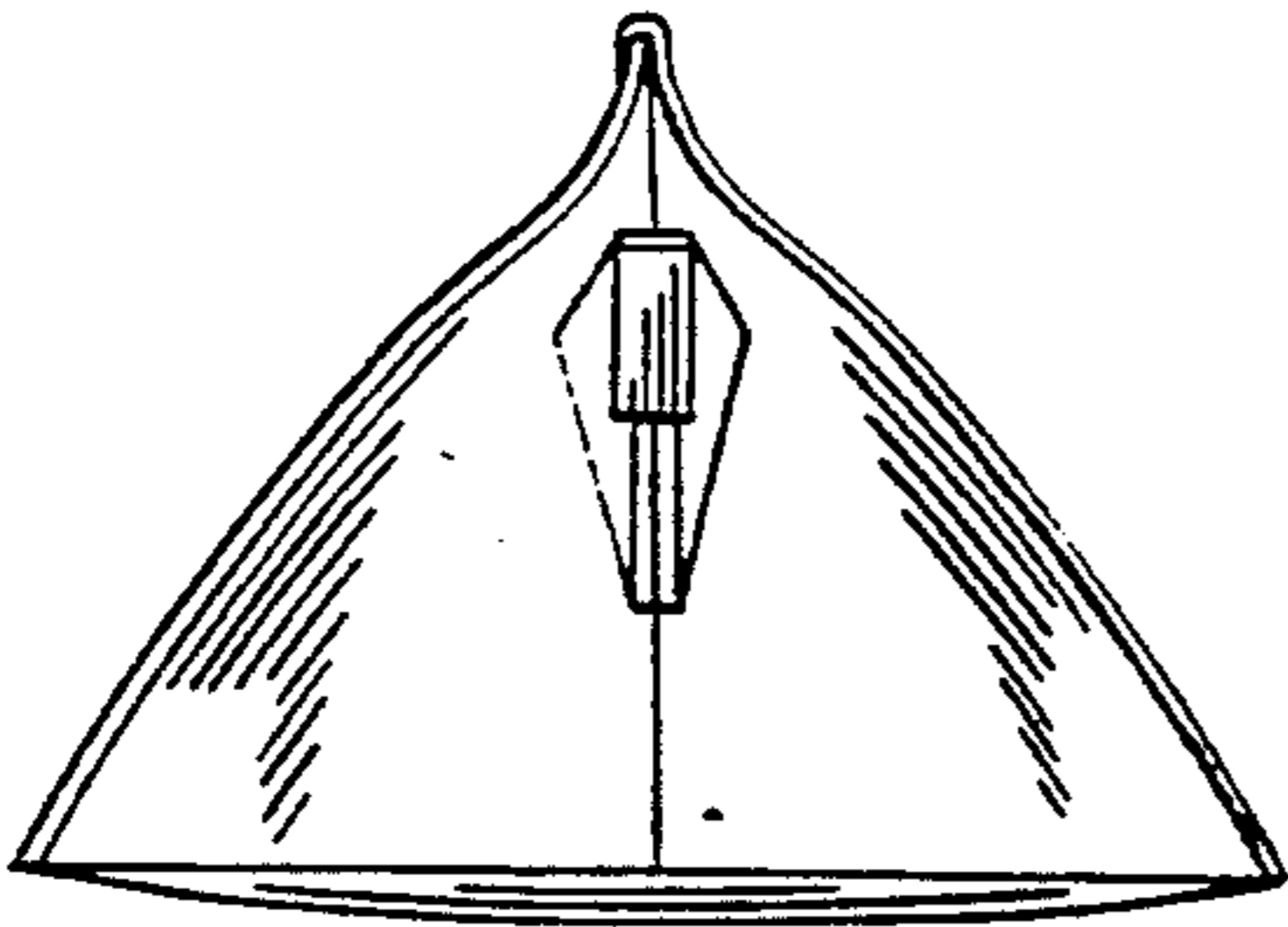


FIG - 2

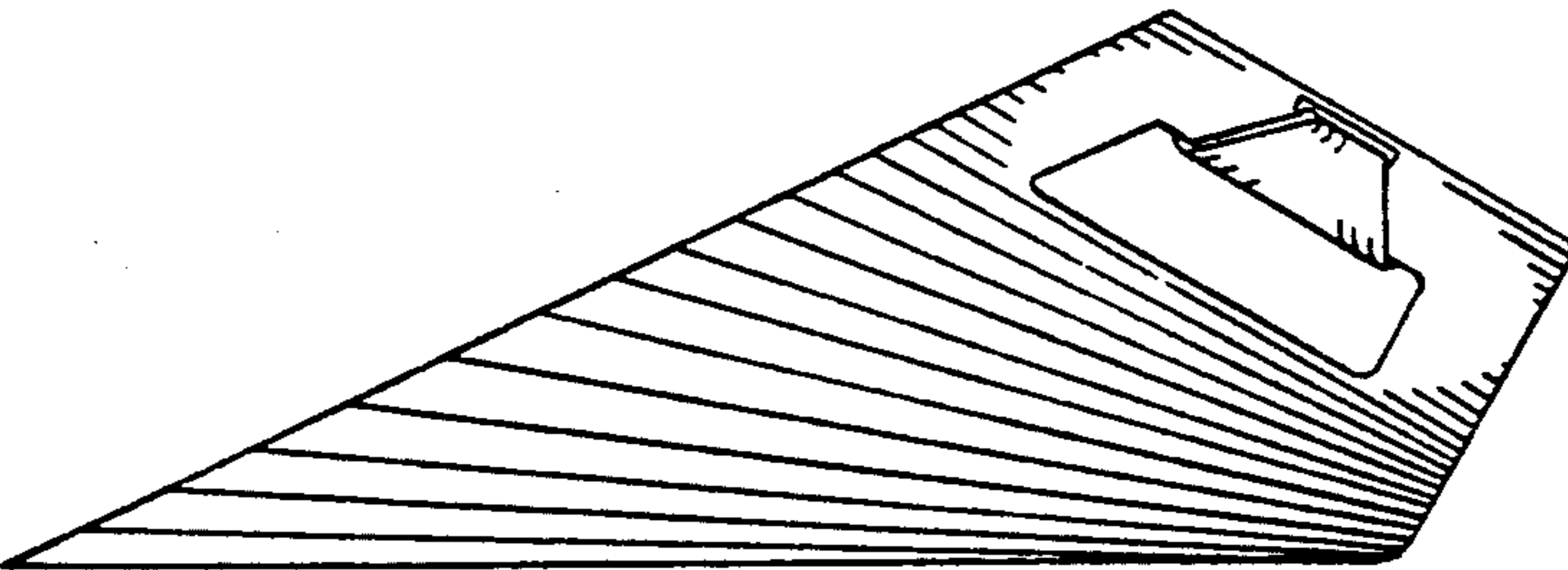


FIG - 3

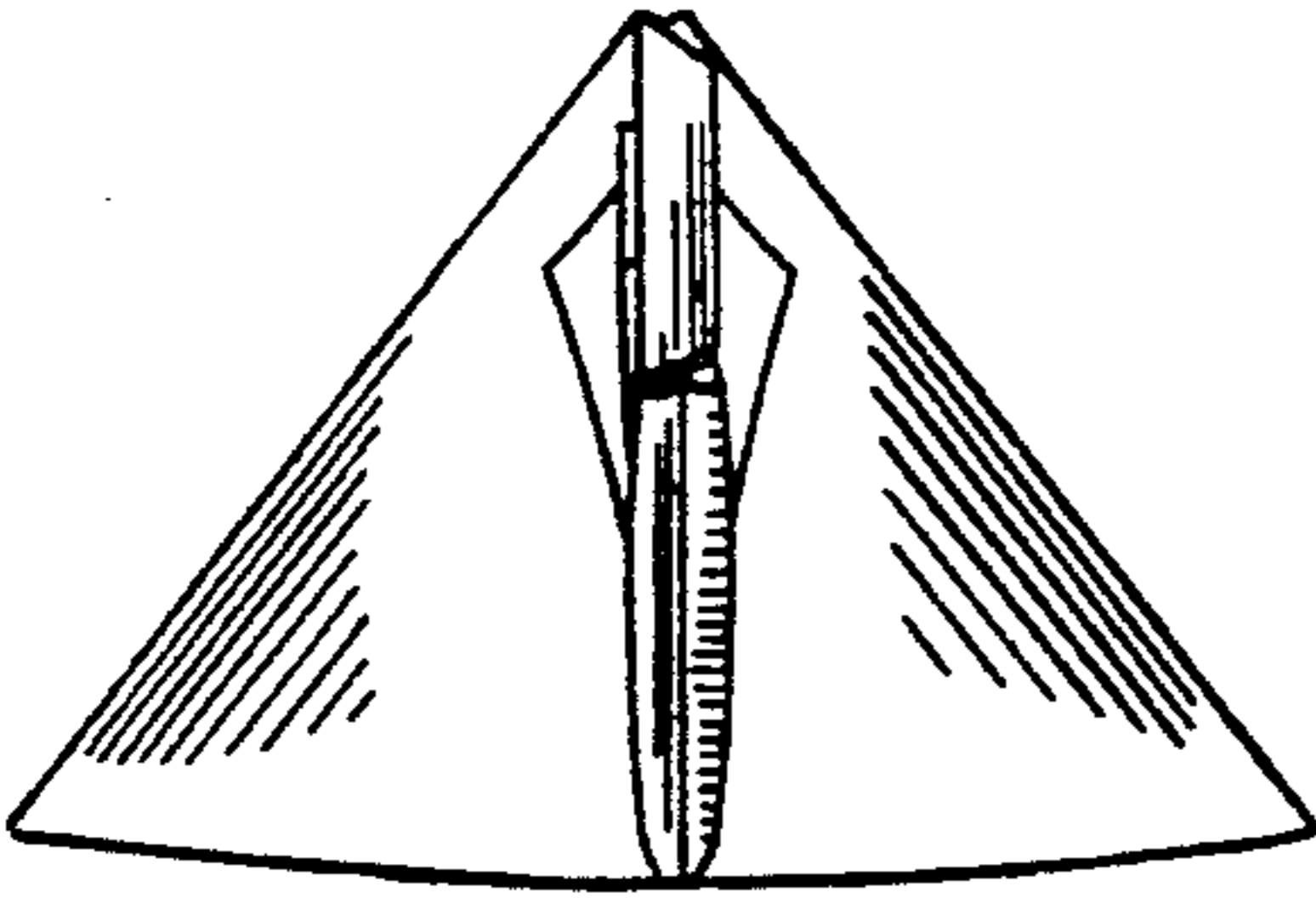


FIG - 4

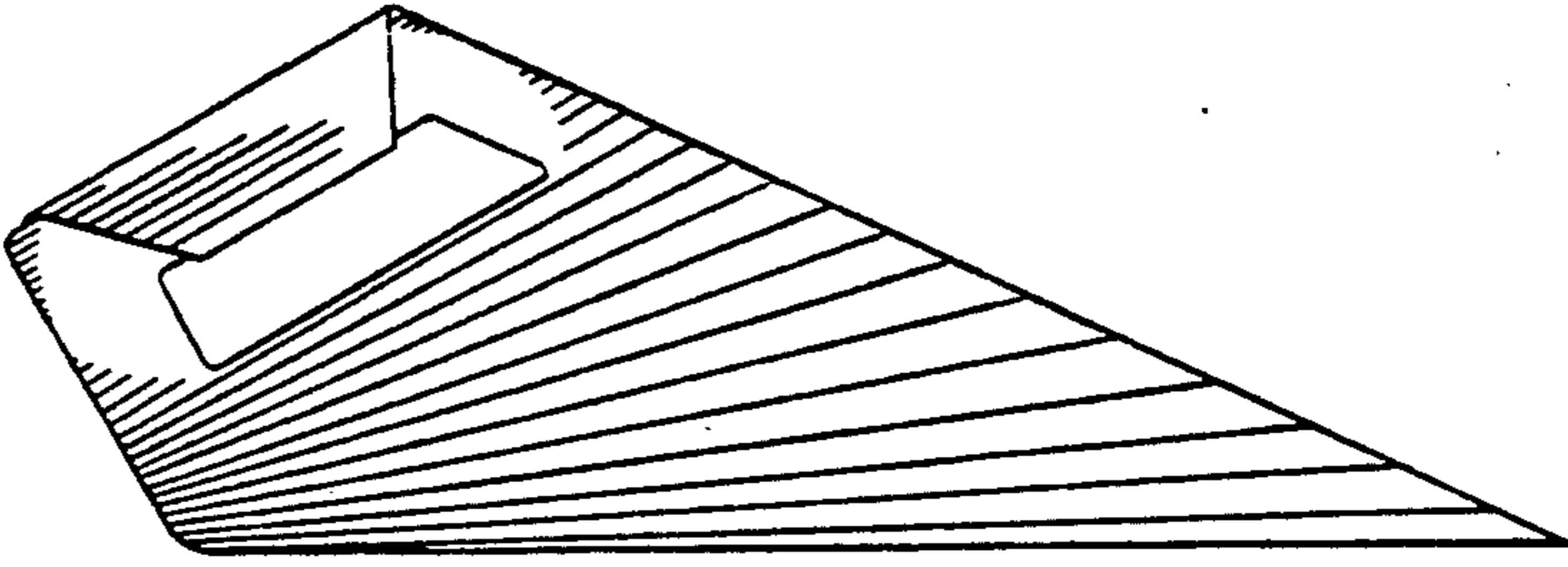


FIG - 5