



US00D328806S

# United States Patent [19]

[11] Patent Number: **Des. 328,806**

Tucker et al.

[45] Date of Patent: **\*\* Aug. 18, 1992**

[54] **IMPLEMENT FOR SCARING BIRDS**

[76] Inventors: **Robert M. Tucker**, Beermullah Road, Gingin, Western Australia;  
**Christopher C. Scott**, Beermullah Road, Gingin 6503, Western Australia, both of Australia

2,788,762 4/1957 Wright ..... 116/22 A  
 3,292,319 12/1966 McCarthy ..... 116/22 A  
 3,783,262 1/1974 Pile ..... 362/184  
 4,074,653 2/1978 Pember ..... 116/22 A  
 4,185,581 1/1980 Tilton ..... 116/22 A  
 4,665,744 5/1987 Smith ..... D10/59

[\*\*] Term: **14 Years**

[21] Appl. No.: **443,959**

[22] Filed: **Nov. 30, 1989**

### FOREIGN PATENT DOCUMENTS

269545 3/1969 Austria ..... 116/22 A  
 1178678 1/1970 United Kingdom ..... 52/101  
 1468275 3/1977 United Kingdom ..... 116/22 A  
 2194566 3/1988 United Kingdom ..... 52/101

### [30] Foreign Application Priority Data

Jun. 1, 1989 [AU] Australia ..... 1752/89

[52] U.S. Cl. .... **D30/199; D30/119**

[58] Field of Search ..... D10/59, 109; 119/903,  
 119/52.1, 57.9, 159, 52.3; D25/38, 43, 44, 133,  
 1; D30/199, 151, 154, 160, 119; 43/2, 3;  
 D22/125; 362/184; D21/119, 93; 52/72, 173,  
 24, 25, 101; 116/22 A, 22 R, 264, 271; 40/591,  
 592, 602

### OTHER PUBLICATIONS

Duncraft Catalog; p. 11; item-Squirrel-Go-Round No. 111.

*Primary Examiner*—A. Hugo Word  
*Assistant Examiner*—Cathy Anne MacCormac  
*Attorney, Agent, or Firm*—Baker & Daniels

### [56] References Cited

#### U.S. PATENT DOCUMENTS

D. 22,164 1/1893 Thrush ..... D21/93  
 D. 24,692 9/1895 Cain et al. .... D21/93  
 D. 205,078 6/1966 Netzel et al. .... D10/59  
 733,778 7/1903 Weber ..... 116/22 A  
 1,273,607 7/1918 Hawks ..... D10/109

### [57] CLAIM

The ornamental design for an implement for scaring birds, as shown and described.

### DESCRIPTION

FIG. 1 is a top perspective view of an implement for scaring birds showing our new design;  
 FIG. 2 is a top plan view thereof; and,  
 FIG. 3 is a side elevational view thereof, all sides being identical to the side shown except for the bracket.

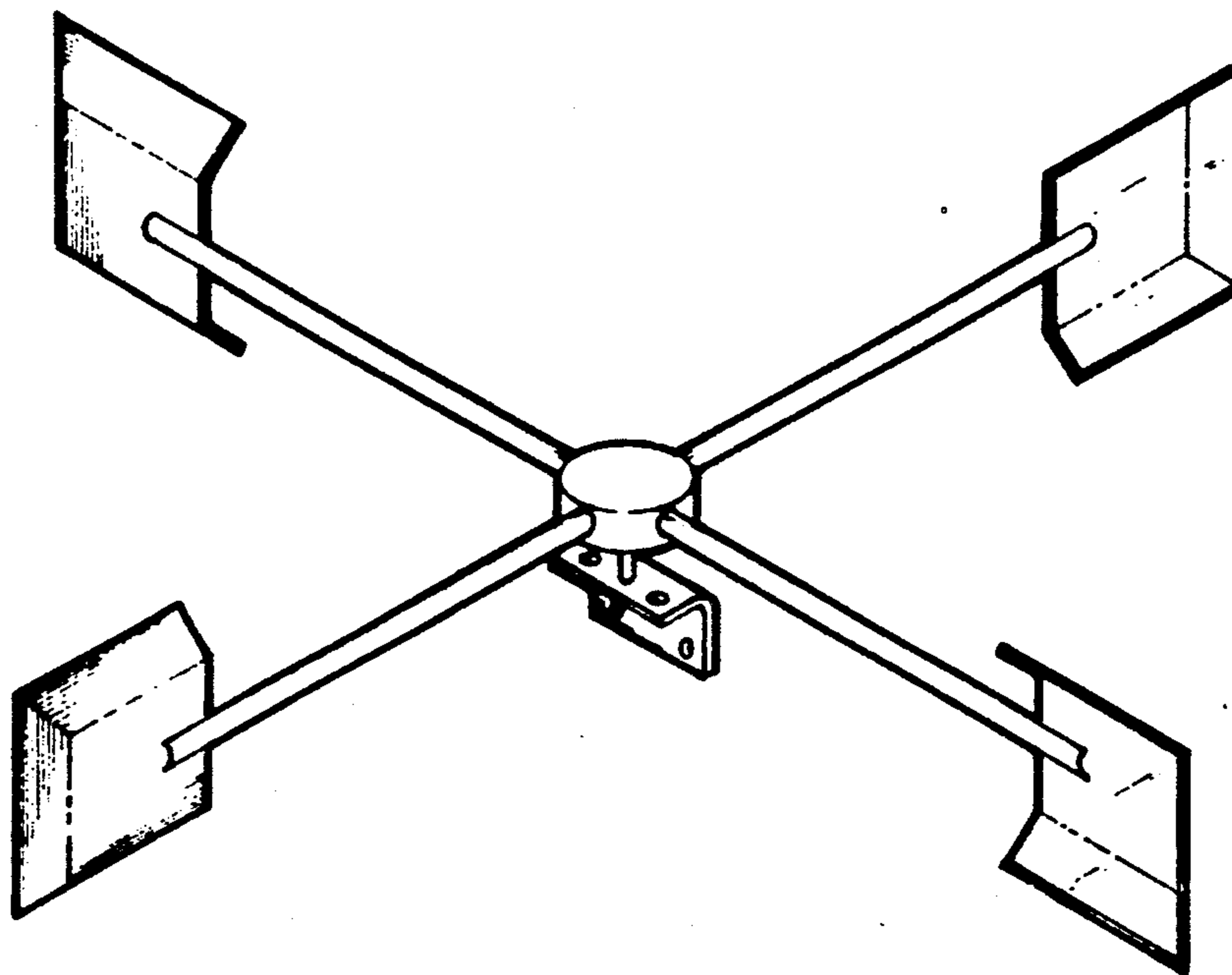


Fig. 1.

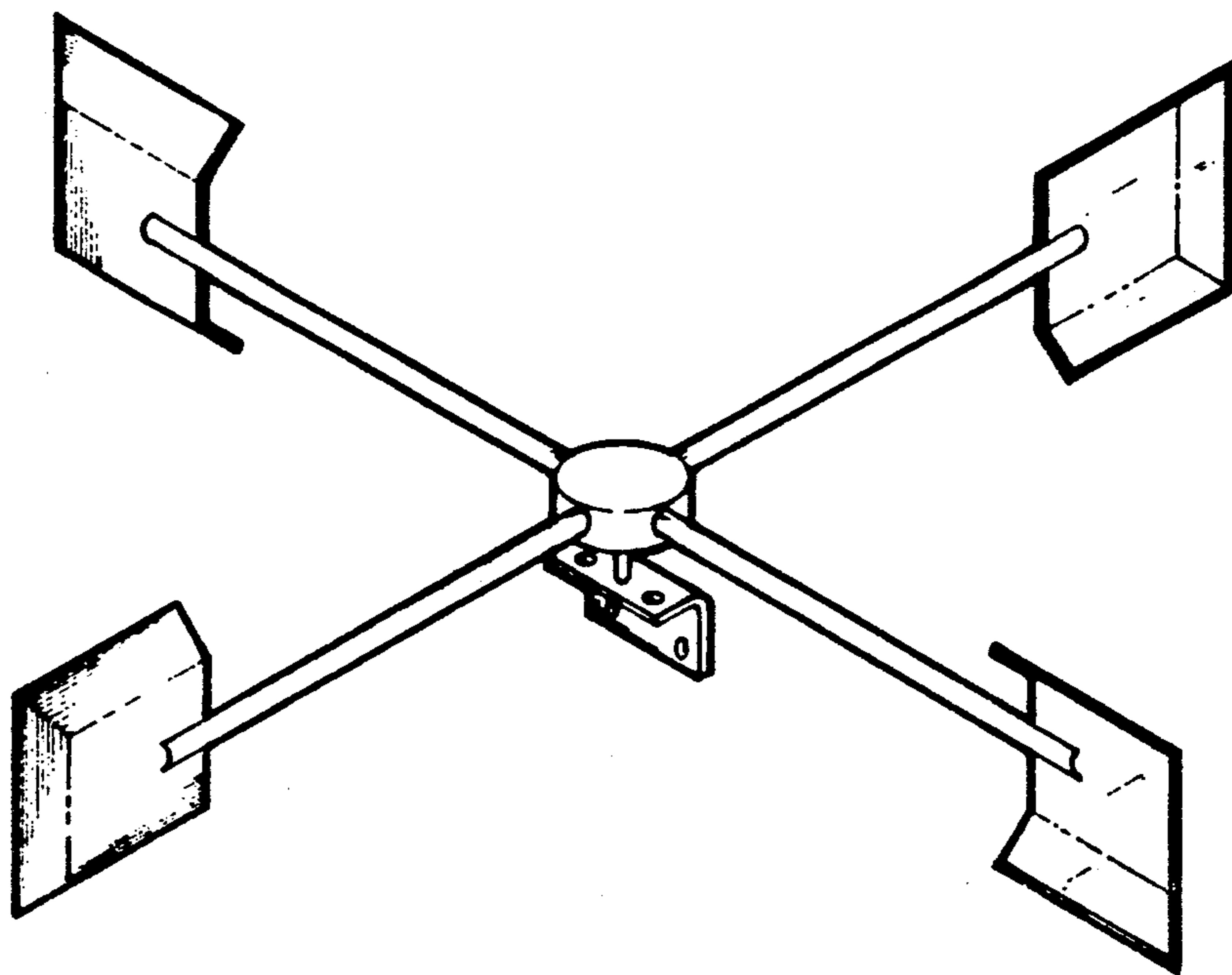


Fig .2.

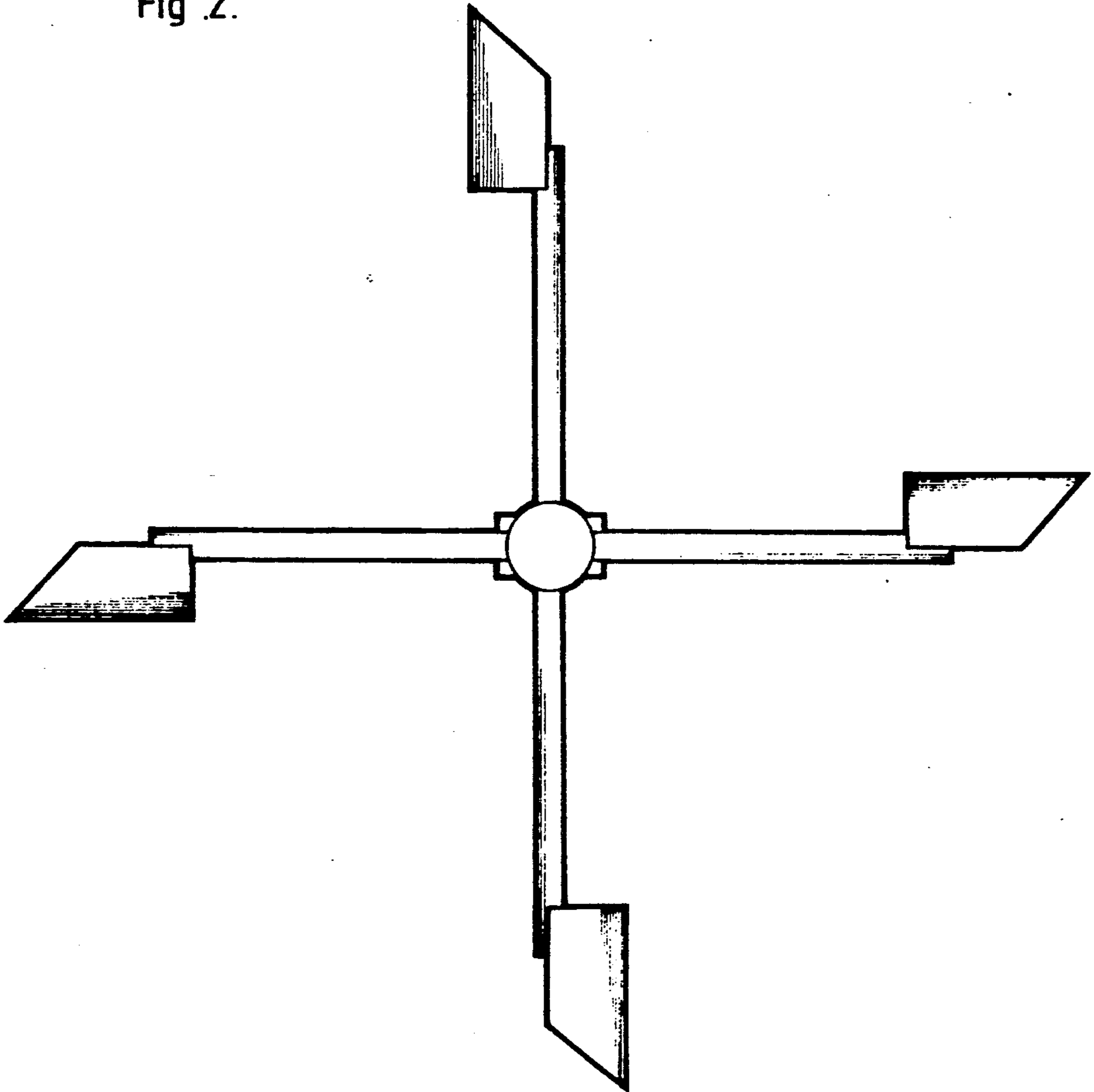


Fig .3.

