



US00D328801S

United States Patent [19]

[11] Patent Number: **Des. 328,801**

Emmerling

[45] Date of Patent: **** Aug. 18, 1992**

[54] SHADE FOR A NIGHT LIGHT OR SIMILAR ARTICLE

2,824,216 2/1958 Brennan 362/354 X
4,343,032 8/1982 Schwartz 362/147 X

[75] Inventor: **Ronald A. Emmerling, Montclair, N.J.**

OTHER PUBLICATIONS

Hardware Age, Jan. 1984, p. 13, Night Light.

[73] Assignee: **American Tack & Hardware Co., Inc., Monsey, N.Y.**

Primary Examiner—Susan J. Lucas
Attorney, Agent, or Firm—Gottlieb, Rackman & Reisman

[**] Term: **14 Years**

[57] CLAIM

[21] Appl. No.: **603,853**

The ornamental design for a shade for a night light or similar article, as shown and described.

[22] Filed: **Oct. 26, 1990**

DESCRIPTION

[52] U.S. Cl. **D26/118; D26/26**

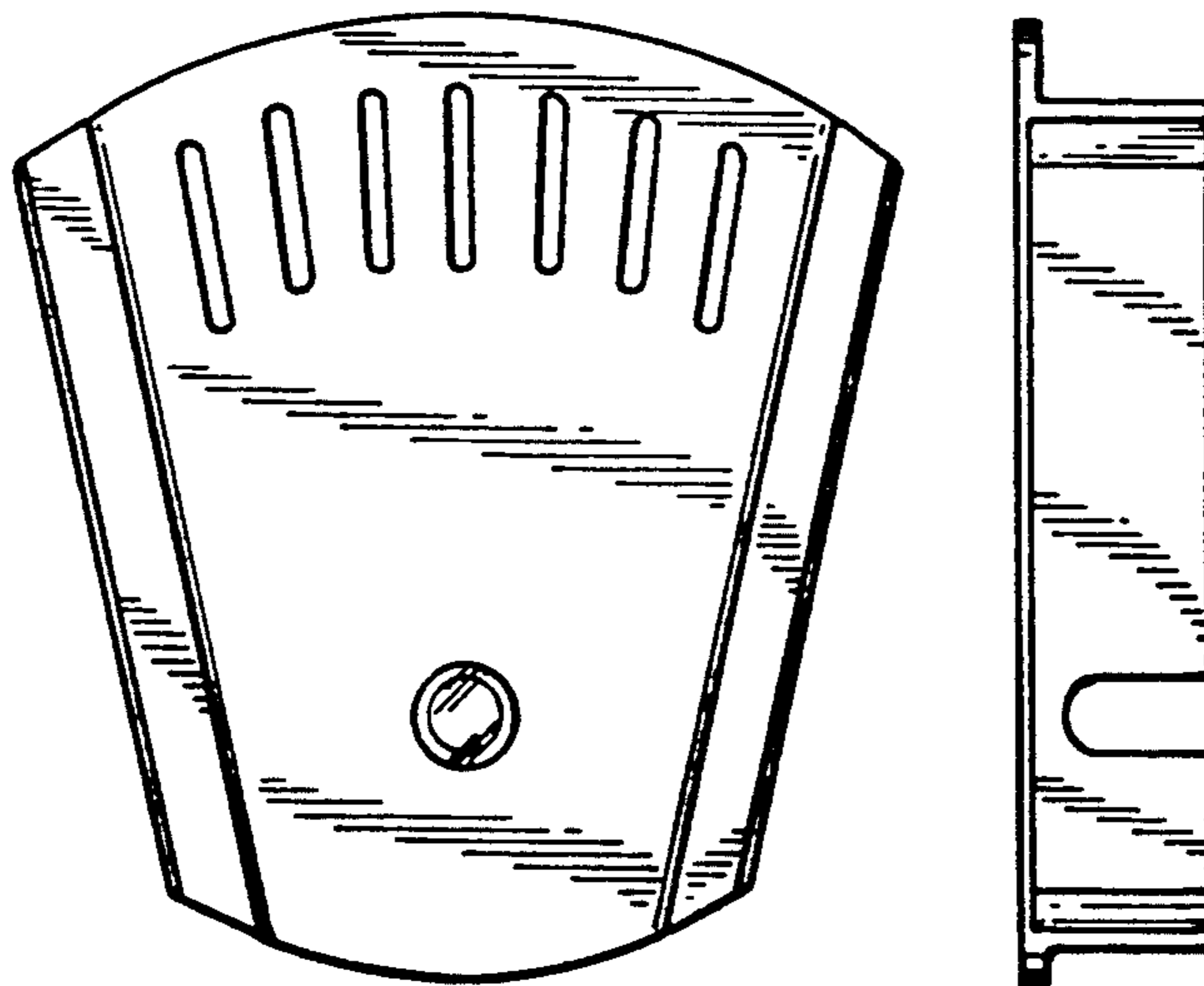
[58] Field of Search **362/226; D26/118, 119, D26/128-137, 24, 26, 72, 80-92**

FIG. 1 is a front elevational view of a shade for a night light or similar article showing my new design; FIG. 2 is a right side elevational view thereof, the left side being a mirror image; FIG. 3 is a rear elevational view thereof; FIG. 4 is a top plan view thereof; and, FIG. 5 is a bottom plan view thereof.

[56] References Cited

U.S. PATENT DOCUMENTS

D. 274,271 6/1984 Schwartz D26/118
D. 287,408 12/1986 Gaines D26/26



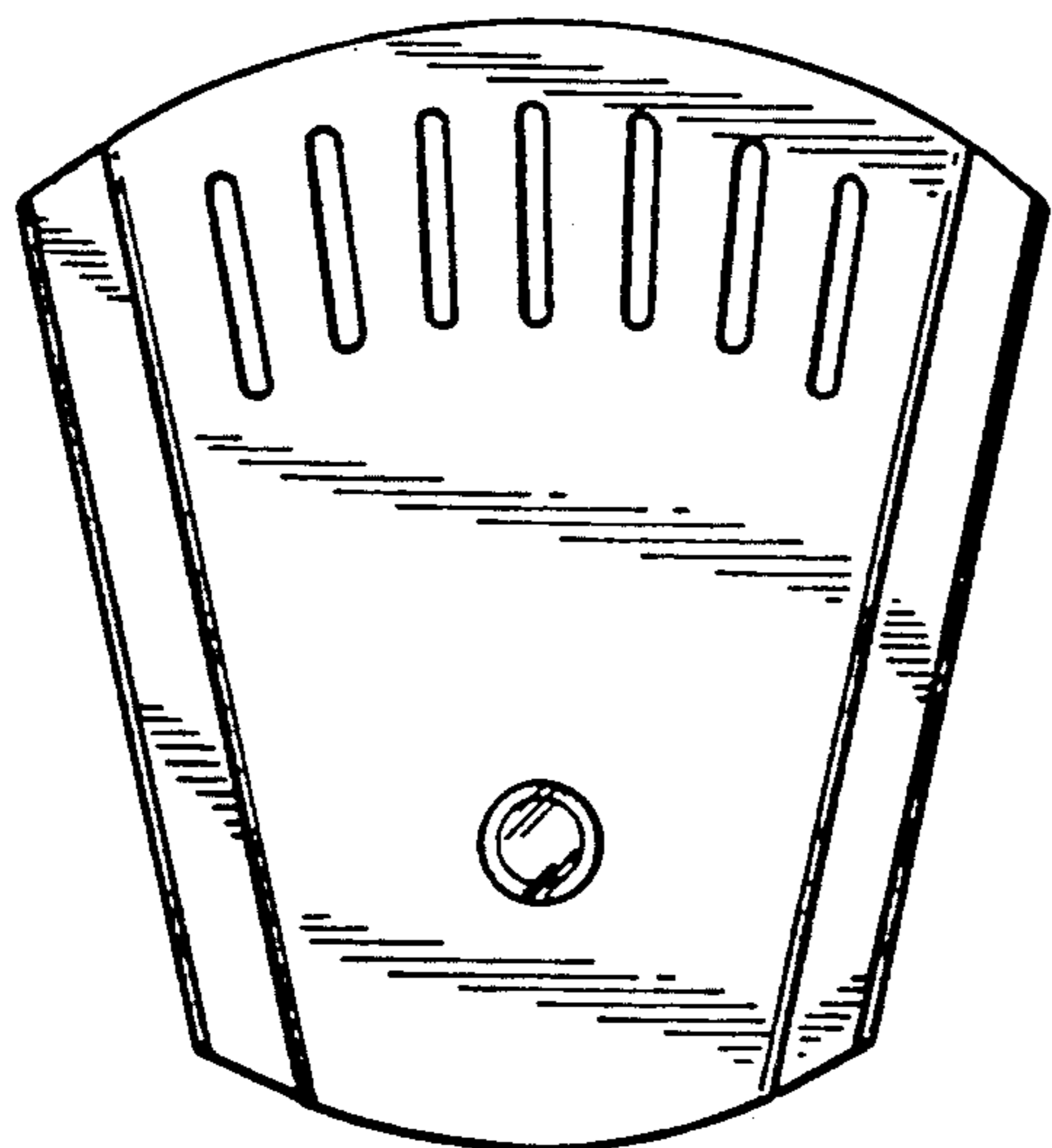


FIG. 1

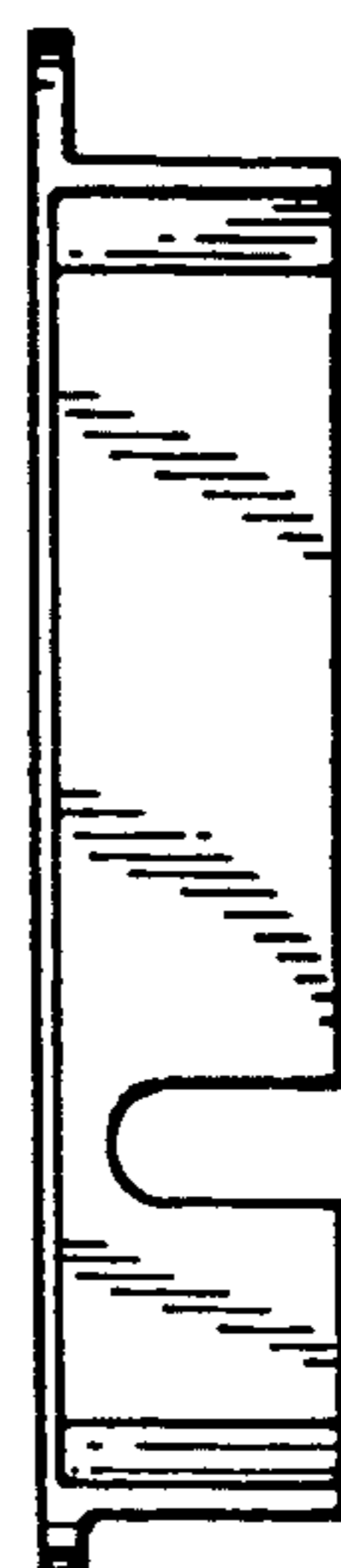


FIG. 2

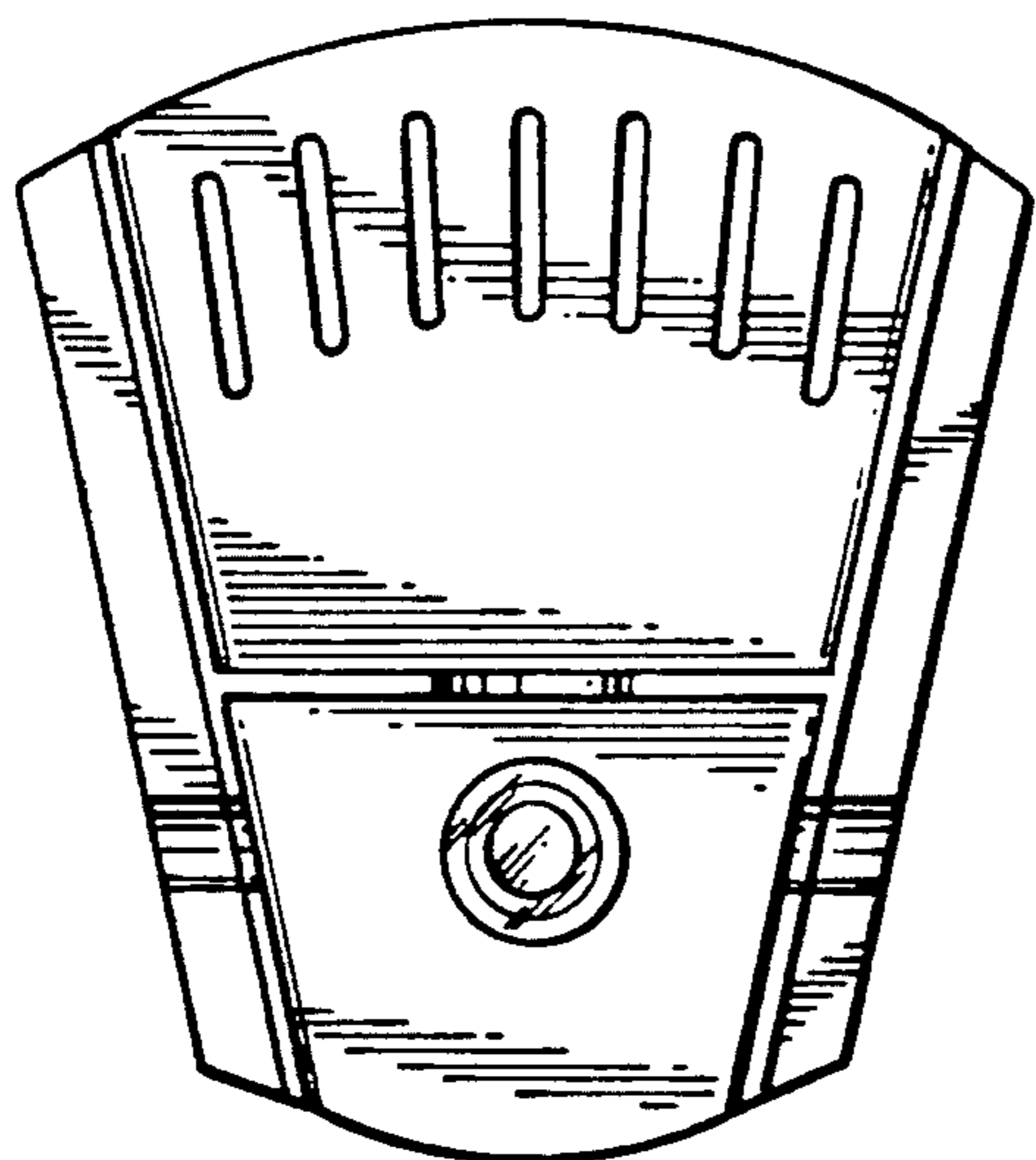


FIG. 3



FIG. 4



FIG. 5