



US00D328793S

# United States Patent [19]

[11] Patent Number: **Des. 328,793**

Hölbl

[45] Date of Patent: **\*\* Aug. 18, 1992**

## [54] REFRIGERATION CABINET FOR A MICROTOME

[75] Inventor: **Werner Hölbl, Vienna, Austria**

[73] Assignee: **Cambridge Instruments GmbH, Heidelberg, Fed. Rep. of Germany**

[\*] Notice: The portion of the term of this patent subsequent to Mar. 3, 2006 has been disclaimed.

[\*\*] Term: **14 Years**

[21] Appl. No.: **335,977**

[22] Filed: **Apr. 10, 1989**

### [30] Foreign Application Priority Data

Oct. 10, 1988 [DE] Fed. Rep. of Germany ..... M8802411.3

[52] U.S. Cl. .... **D24/216**

[58] Field of Search ..... **D24/8, 17, 1.1; 62/320, 62/384, 448, DIG. 10**

## [56] References Cited

### U.S. PATENT DOCUMENTS

3,204,424 9/1965 McCormick et al. .... 62/320  
4,548,051 10/1985 Moessner ..... 62/320

*Primary Examiner*—Stella Reid

*Attorney, Agent, or Firm*—Bean, Kauffman & Spencer

## [57] CLAIM

The ornamental design for a referigeration cabinet for a microtome, as shown.

## DESCRIPTION

FIG. 1 is a front, right, top perspective view of a refrigeration cabinet for a microtome, showing my new design;

FIG. 2 is a right side elevational view of FIG. 1;

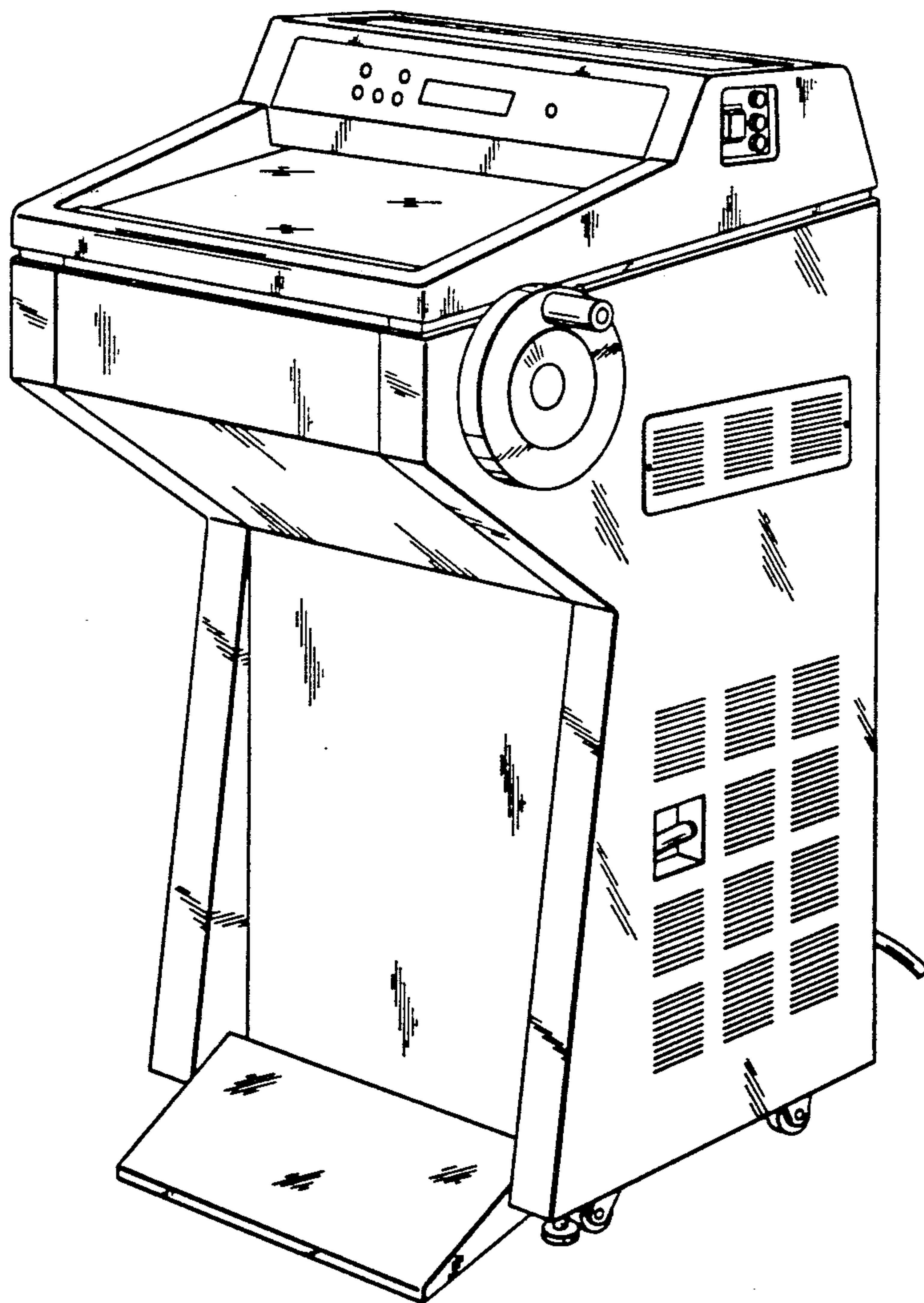
FIG. 3 is a front elevational view of FIG. 1;

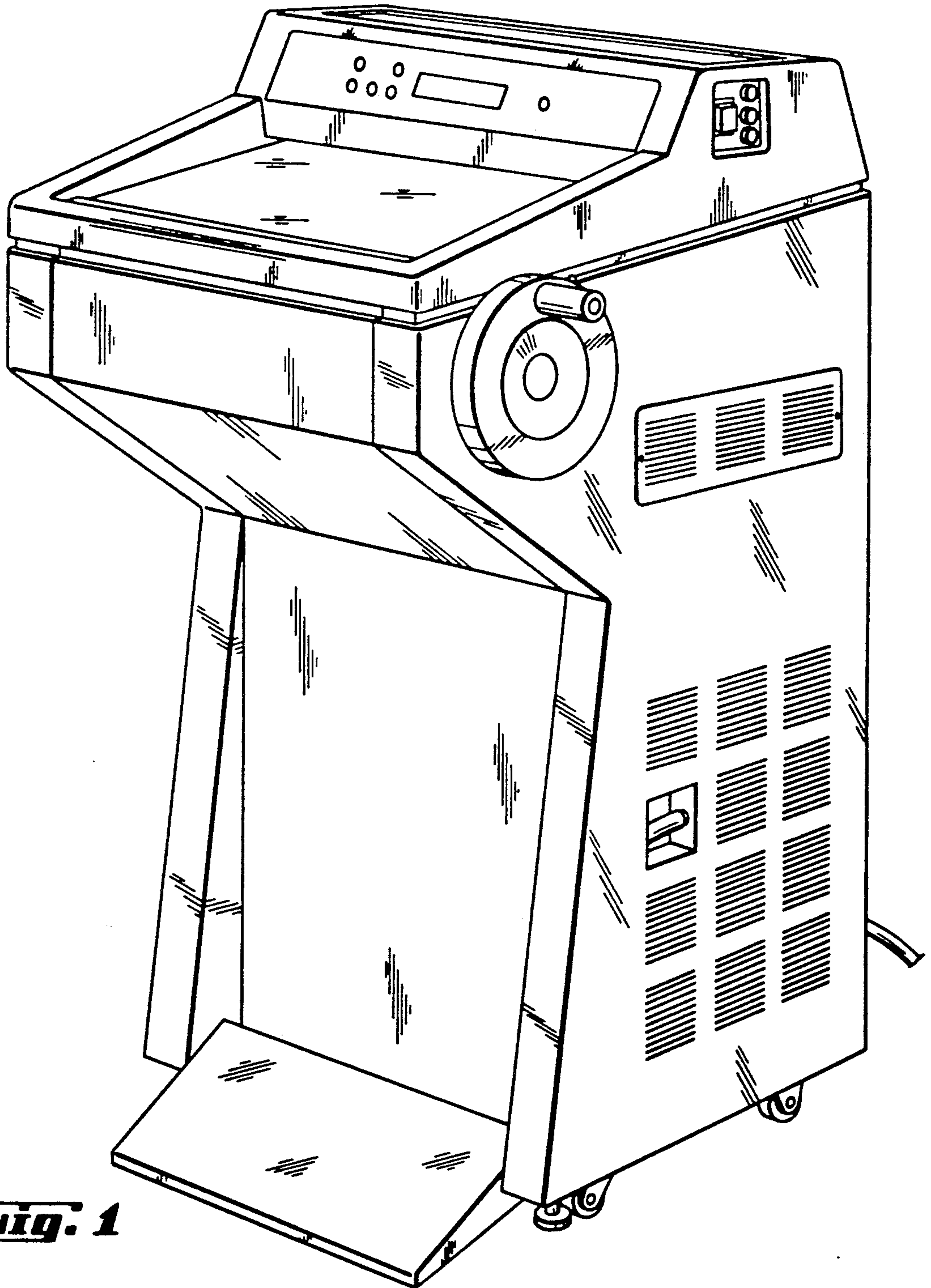
FIG. 4 is a left side elevational view of FIG. 1;

FIG. 5 is a rear elevational view of FIG. 1;

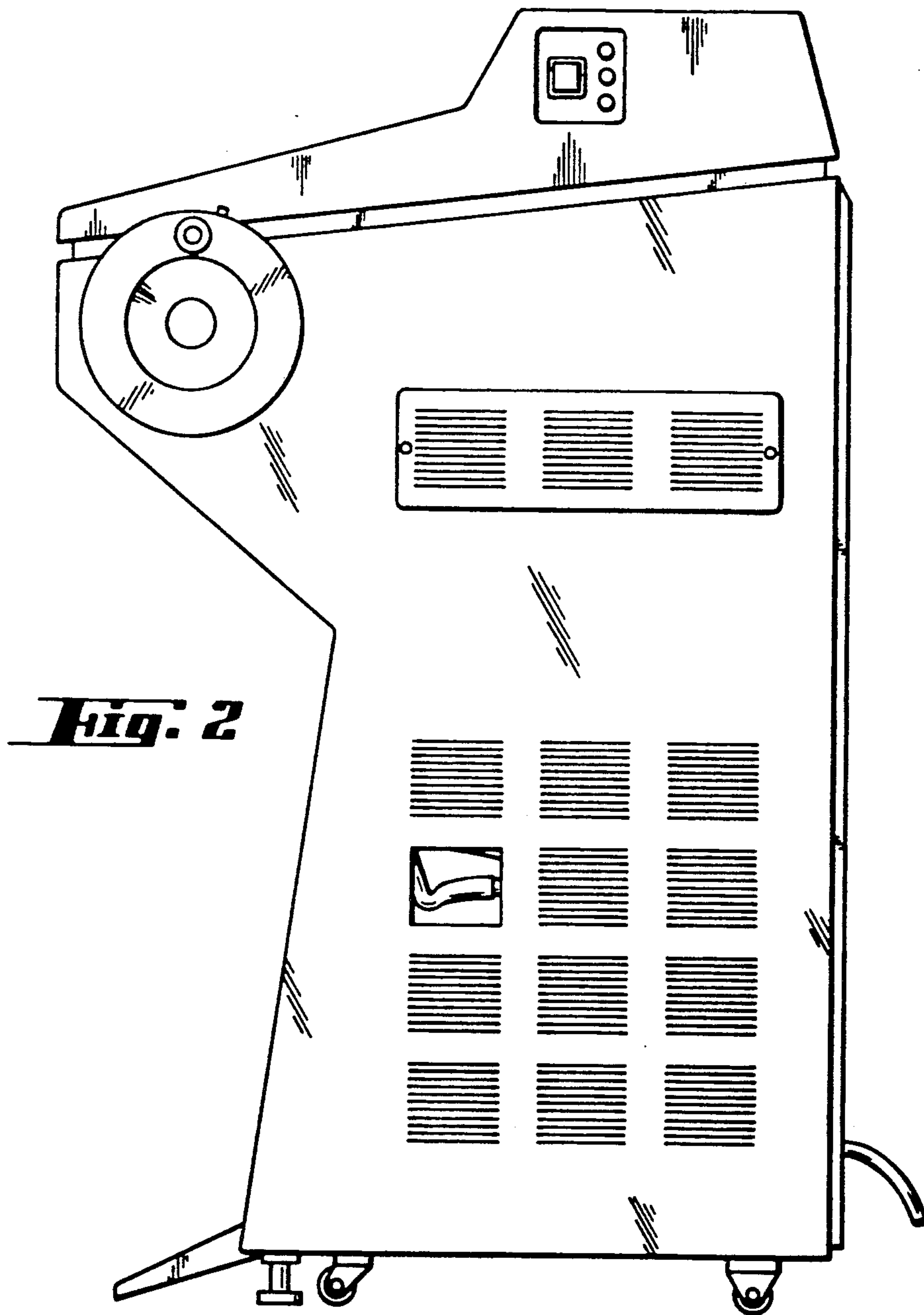
FIG. 6 is a top plan view of FIG. 1; and,

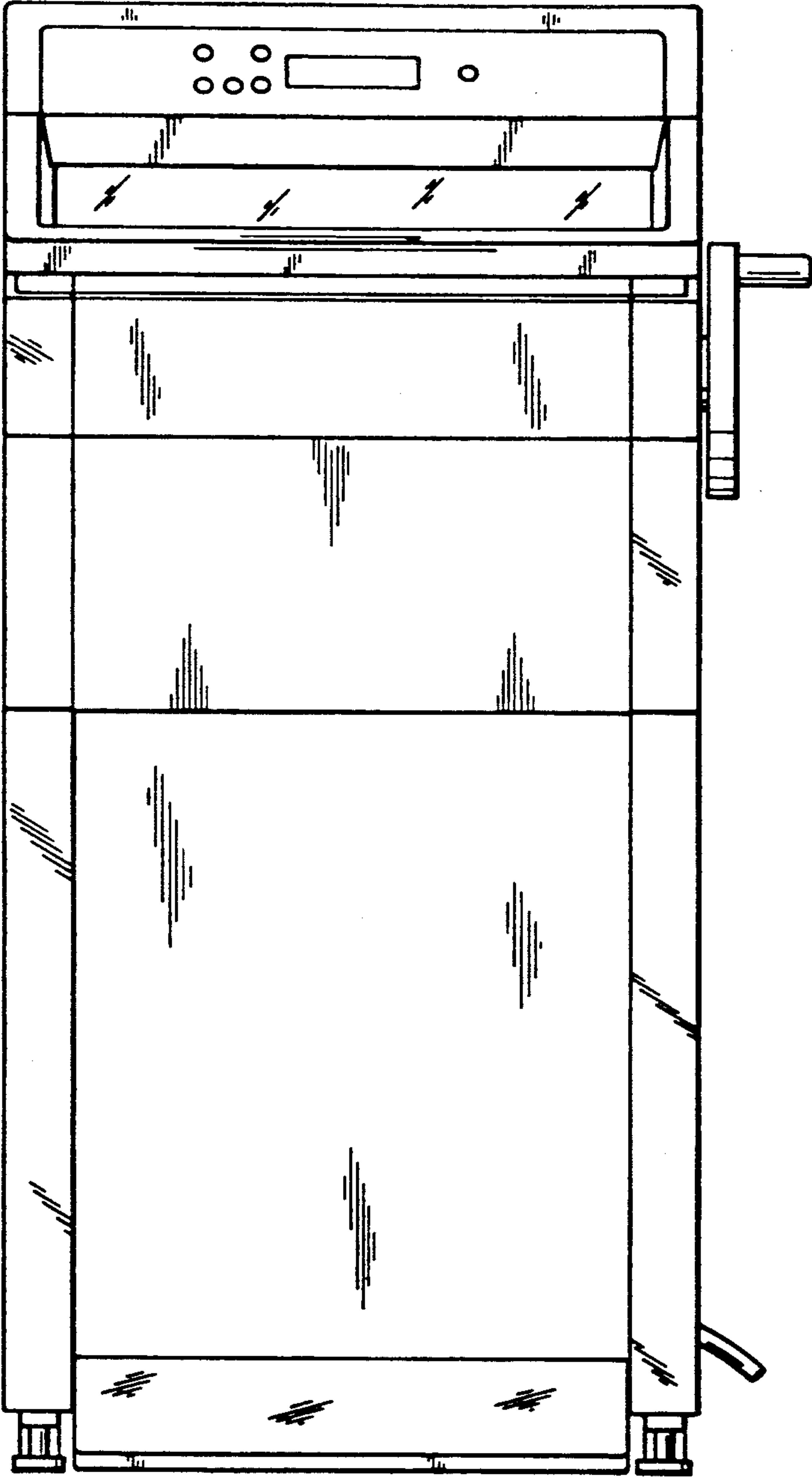
FIG. 7 is a bottom plan view of FIG. 1.





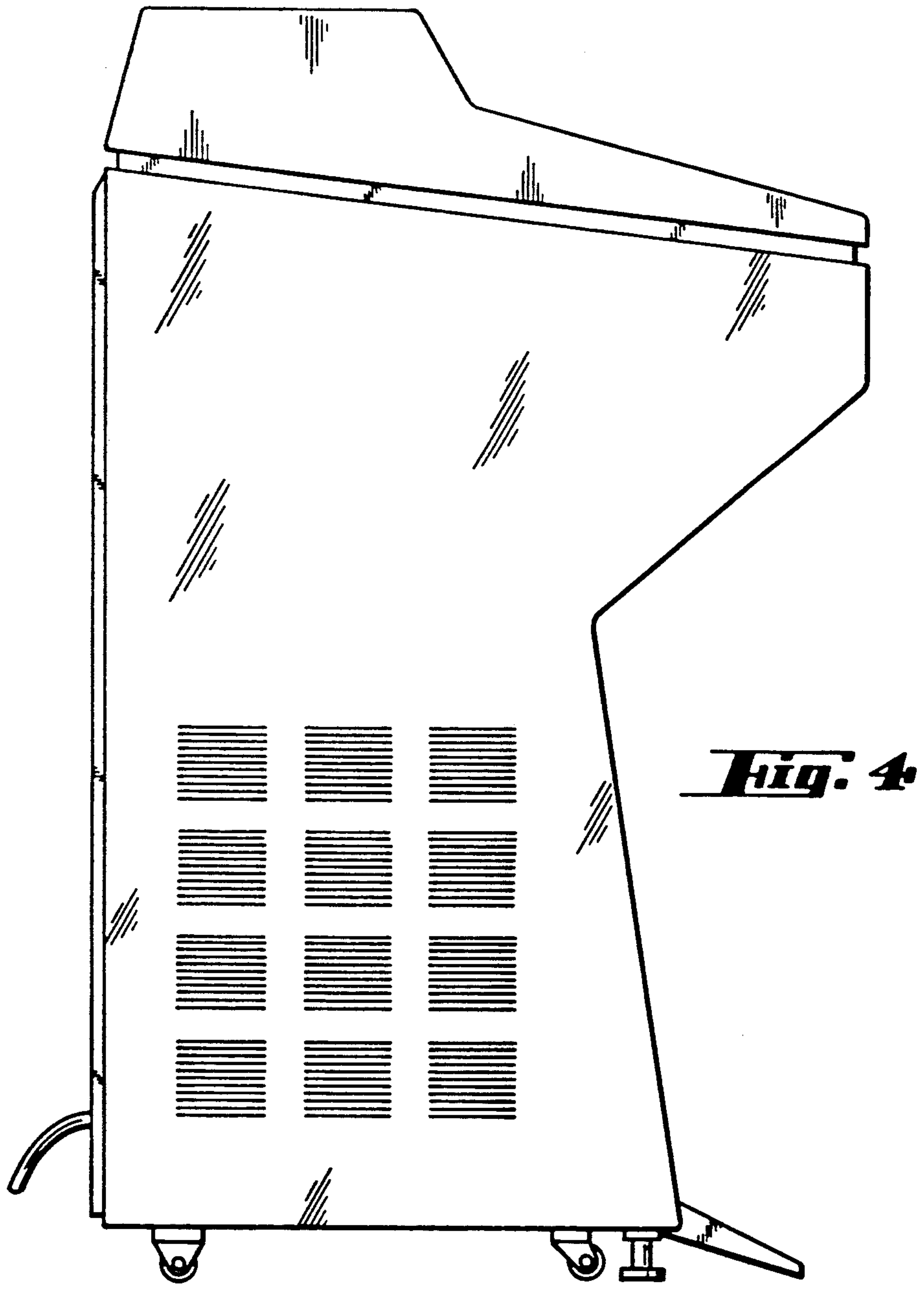
**Fig. 1**



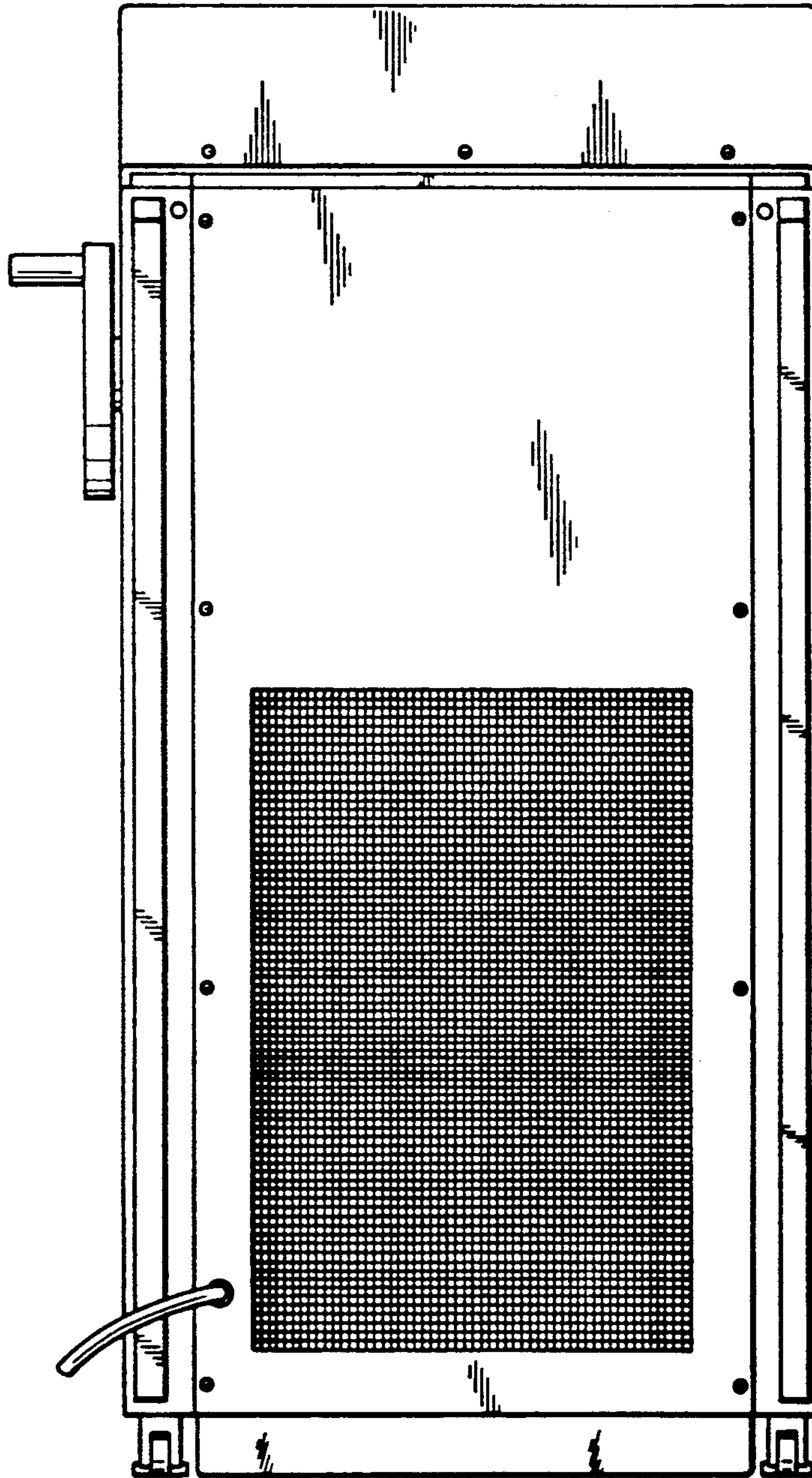


**Fig. 3**

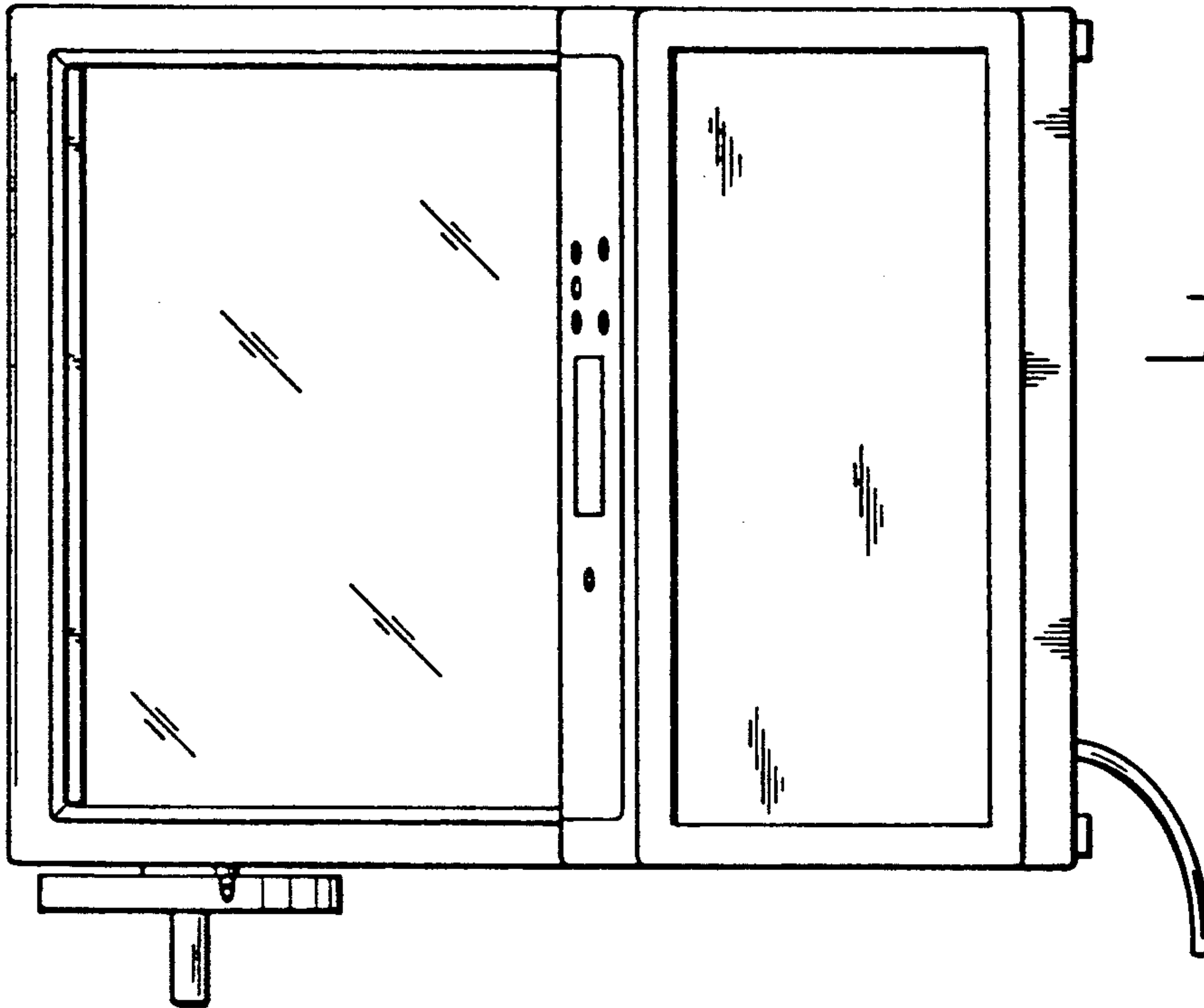




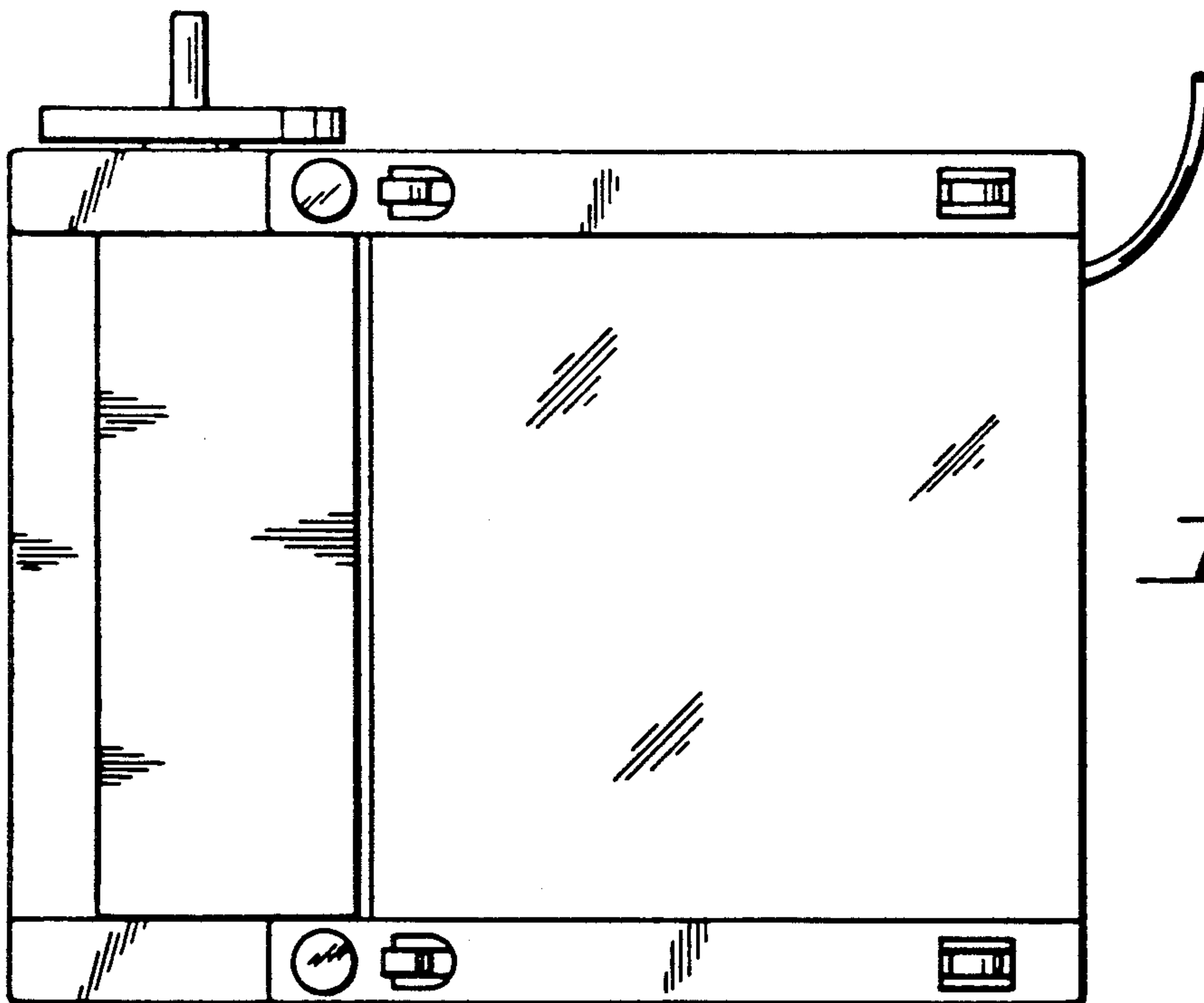
***Fig. 4***



**Fig. 5**



**Fig. 6**



**Fig. 7**