



US00D328791S

United States Patent [19]

Nordstrom et al.

[11] Patent Number: **Des. 328,791**

[45] Date of Patent: **** Aug. 18, 1992**

[54] **DENTAL CONTROL UNIT**

[75] Inventors: **Carl Nordstrom**, Lake Oswego;
Larry D. Lietz, Dundee; **George K. Austin, Jr.**, Newberg; **Raymond G. Reed**, Milwaukie, all of Oreg.

[73] Assignee: **A-Dec, Inc.**, Newberg, Oreg.

[**] Term: **14 Years**

[21] Appl. No.: **595,375**

[22] Filed: **Nov. 27, 1990**

[52] U.S. Cl. **D24/177**

[58] Field of Search **D24/176-179;**
433/52-54, 27-28, 25, 103-105, 49, 72, 125, 77,
79

[56] **References Cited**

U.S. PATENT DOCUMENTS

D. 197,406 1/1964 Haas **D24/177**
D. 243,188 1/1977 Meyer **D24/177**

D. 288,122 2/1987 McGaha et al. **D24/177**
4,226,590 10/1980 Hofmann **433/28**
4,770,632 9/1988 Ryder et al. **433/28**

Primary Examiner—Susan J. Lucas
Assistant Examiner—M. H. Tung
Attorney, Agent, or Firm—Klarquist, Sparkman,
Campbell, Leigh & Whinston

[57] **CLAIM**

The ornamental design for a dental control unit, as shown and described.

DESCRIPTION

FIG. 1 is a top perspective view of a dental control unit showing our new design;
FIG. 2 is a right side elevational view thereof;
FIG. 3 is a left side elevational view thereof;
FIG. 4 is a top plan view thereof;
FIG. 5 is a front elevational view thereof;
FIG. 6 is a bottom plan view thereof; and,
FIG. 7 is a rear elevational view thereof.

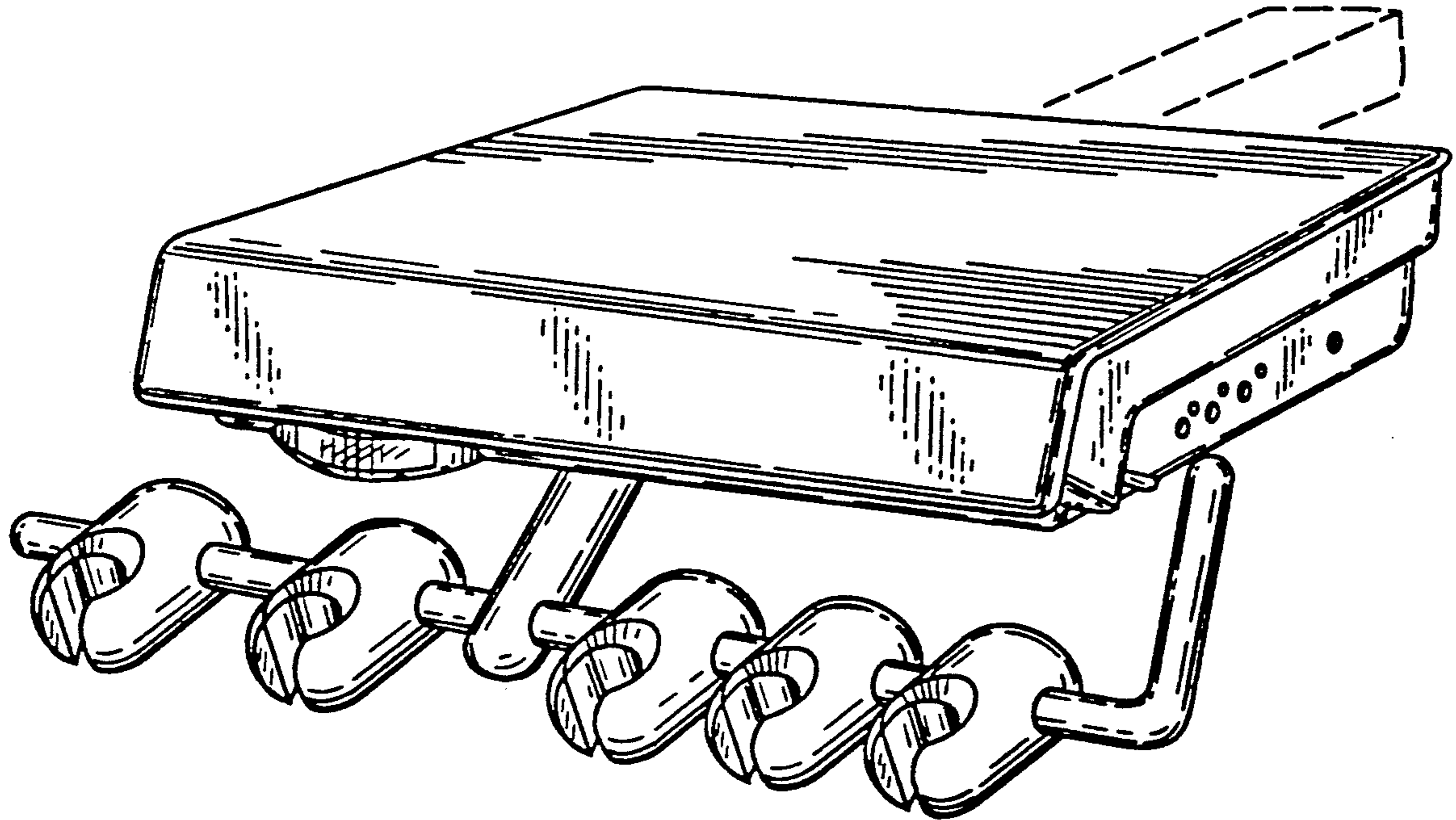


FIG. 1

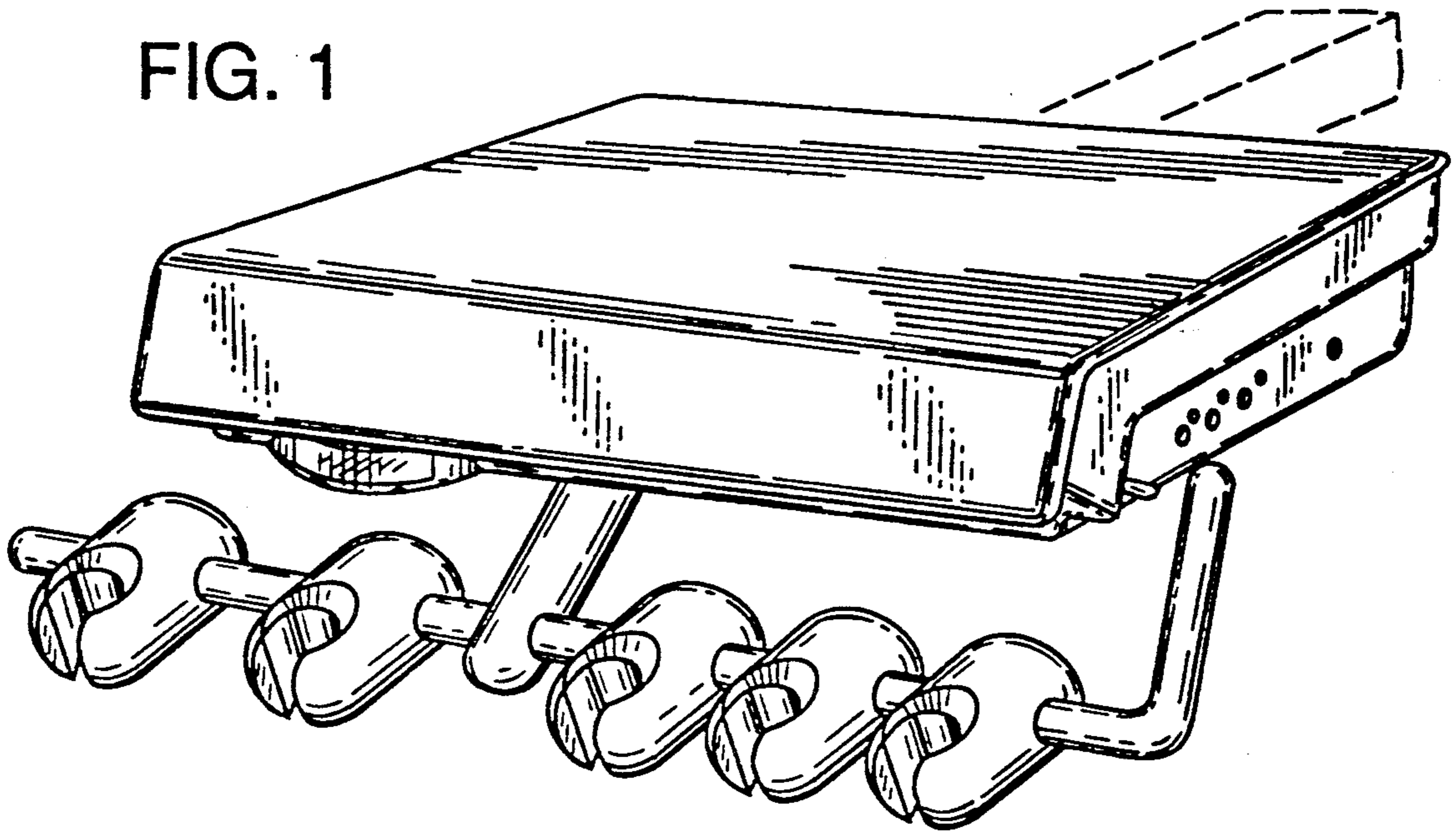


FIG. 2

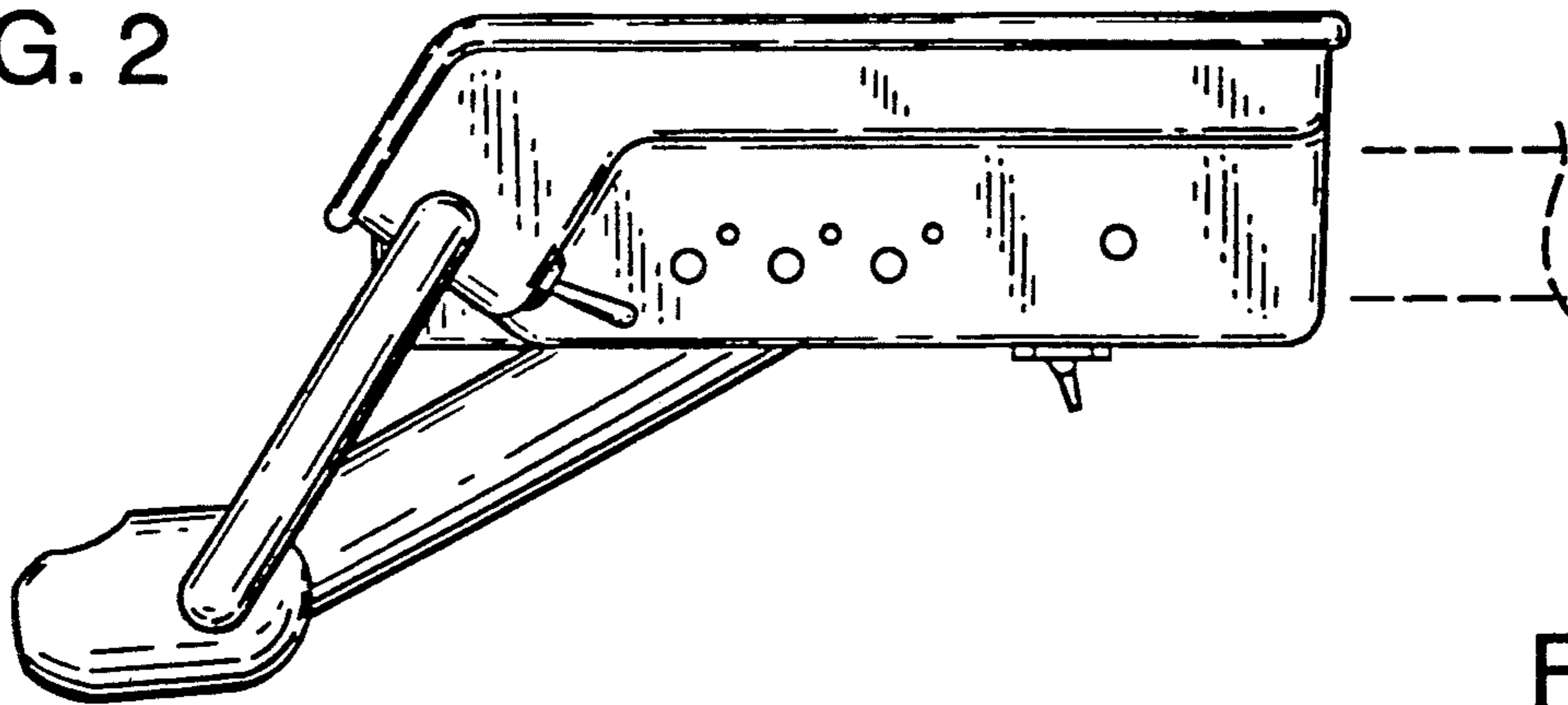


FIG. 3

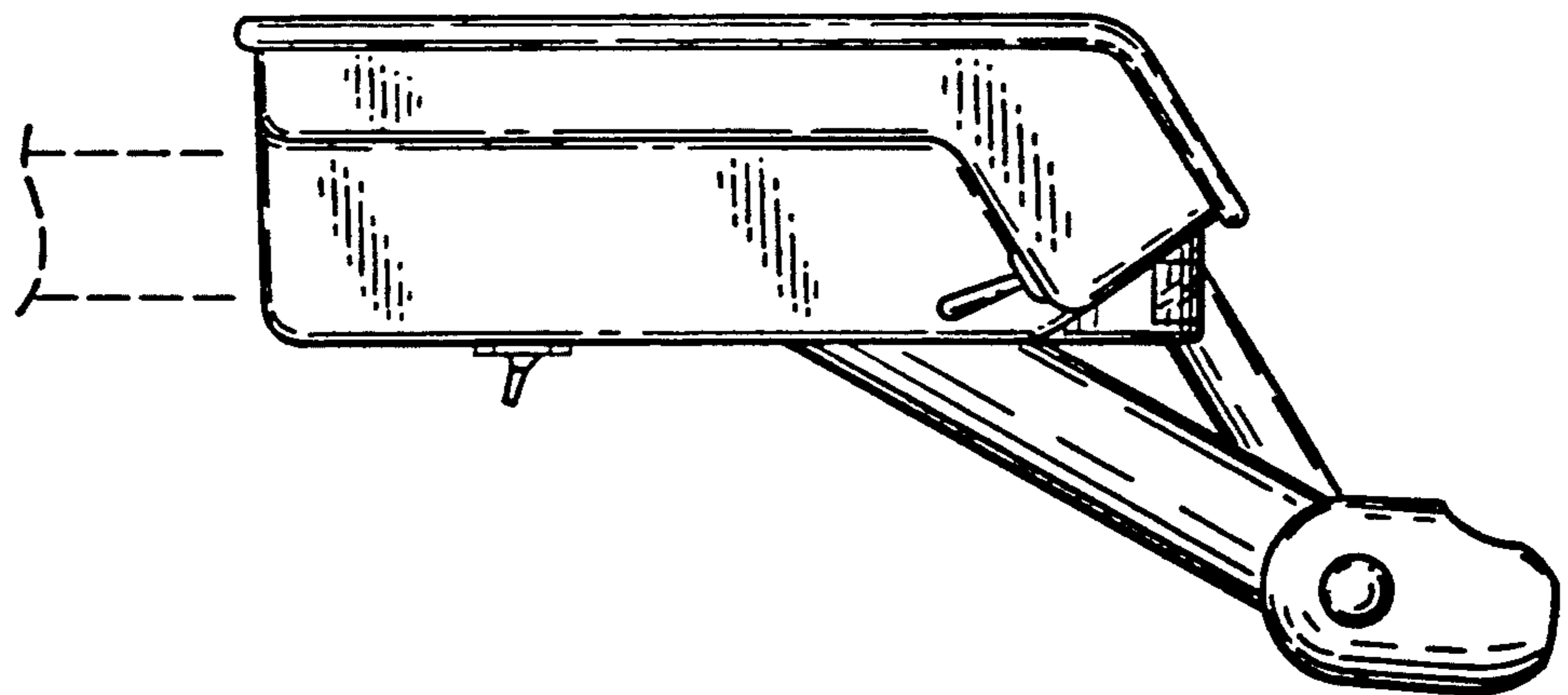


FIG. 4

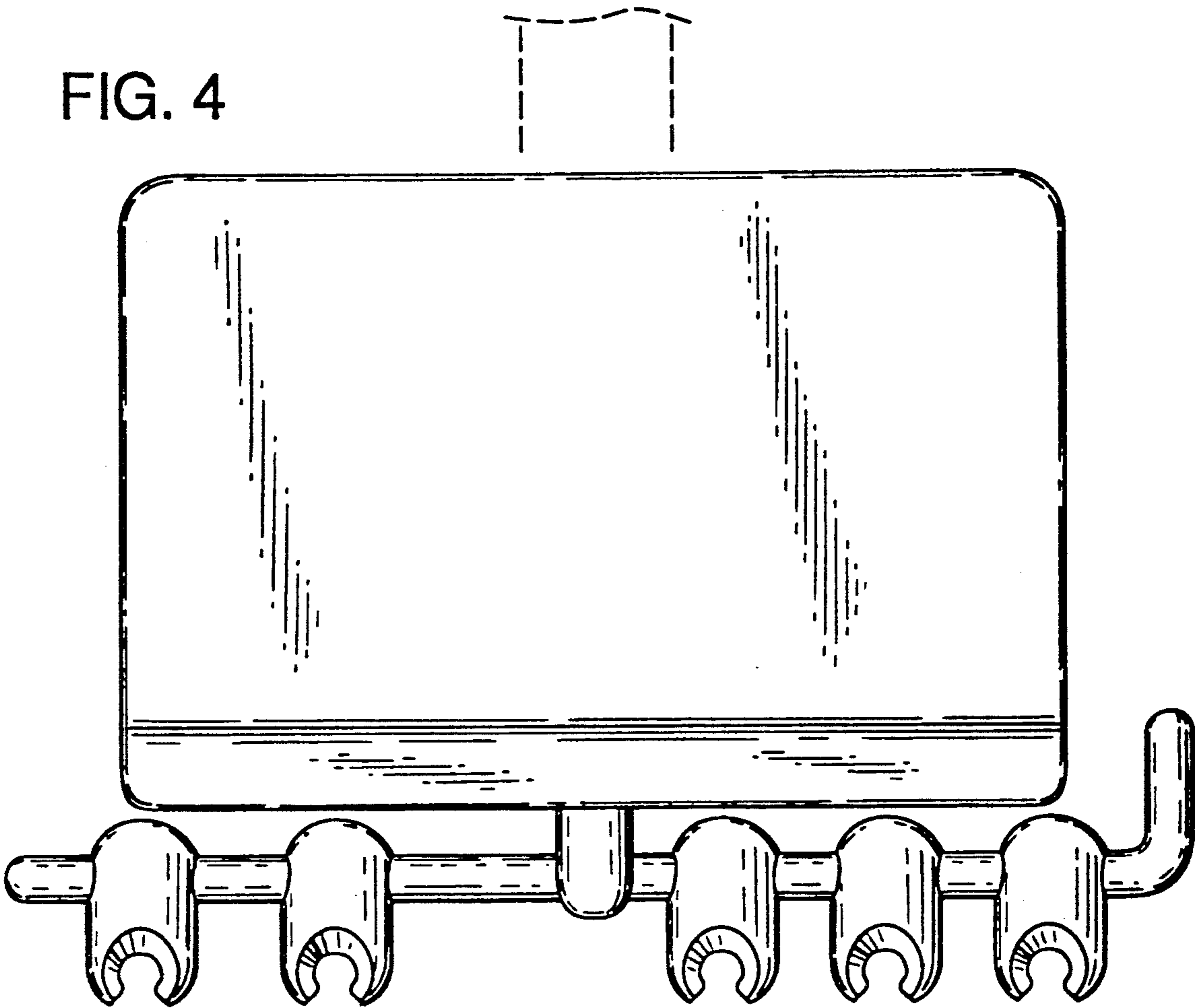


FIG. 5

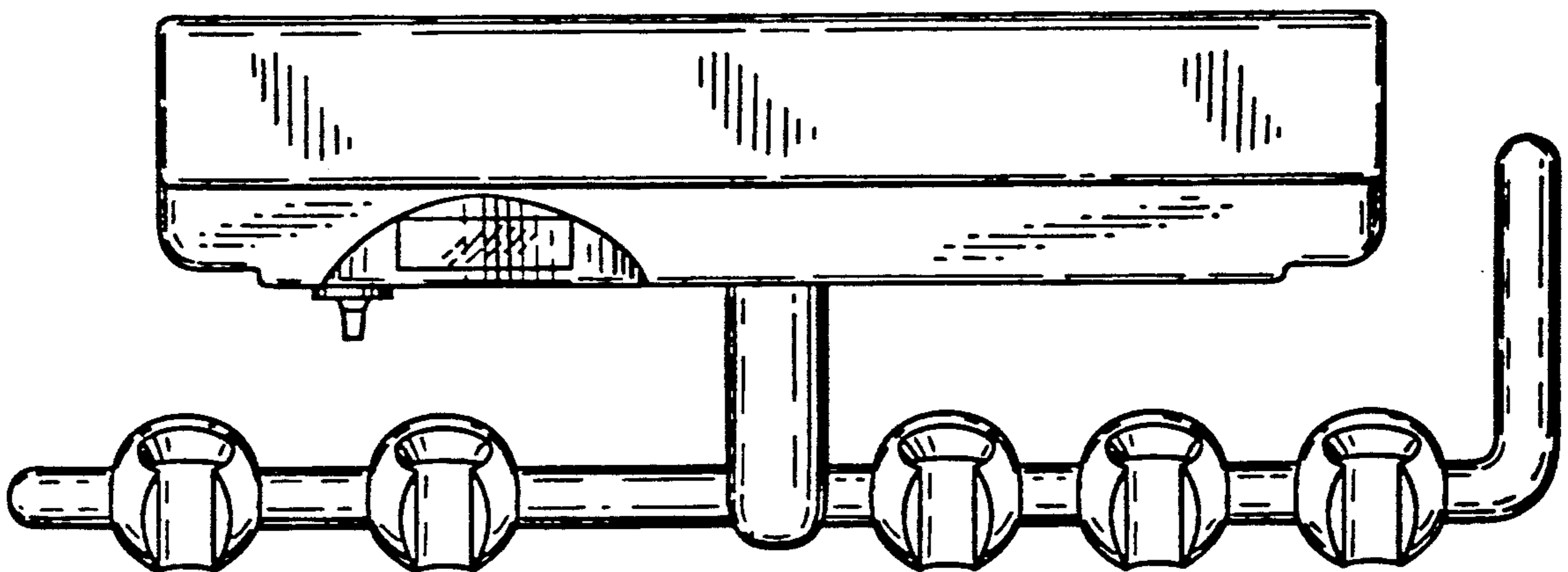


FIG. 6

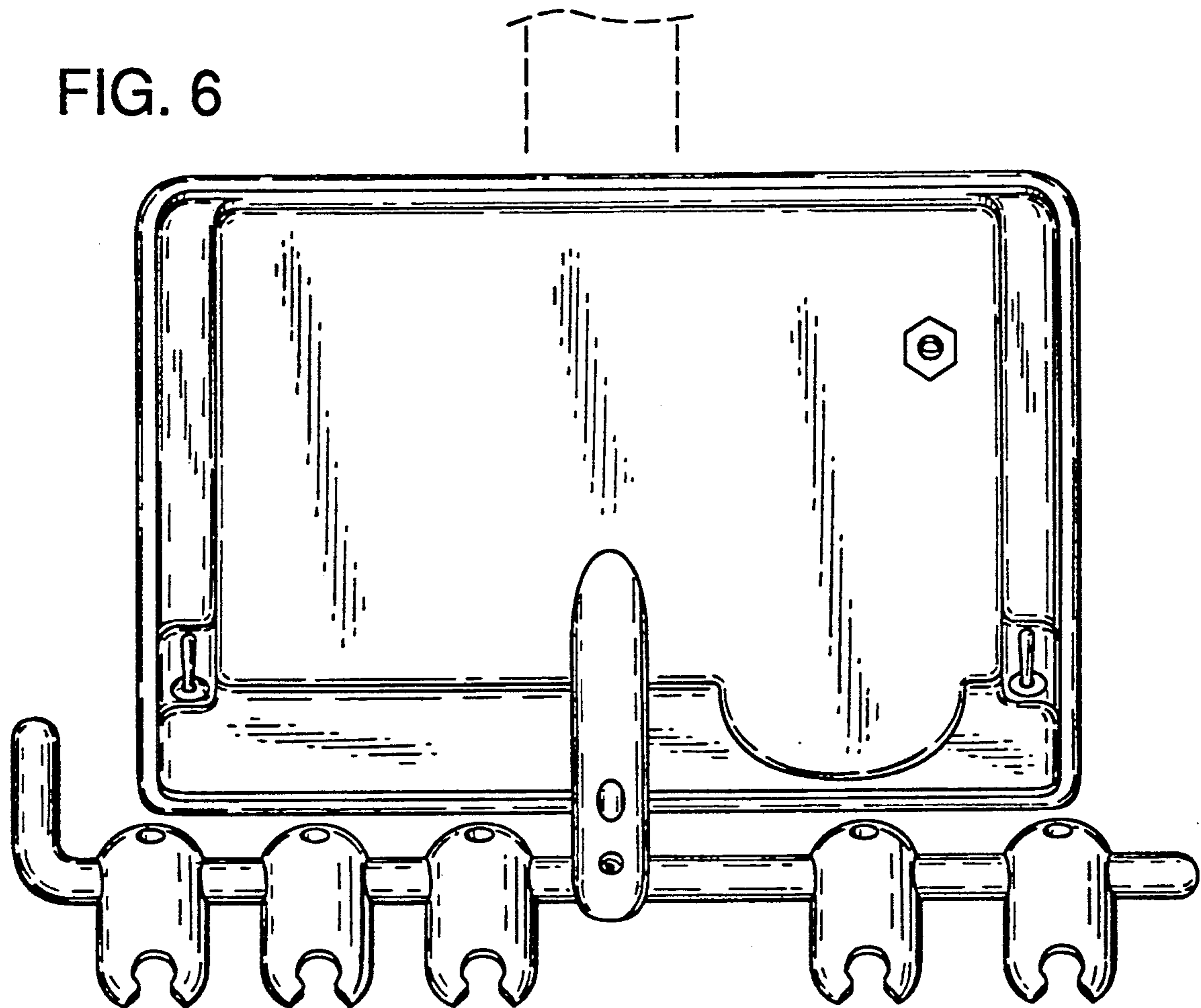
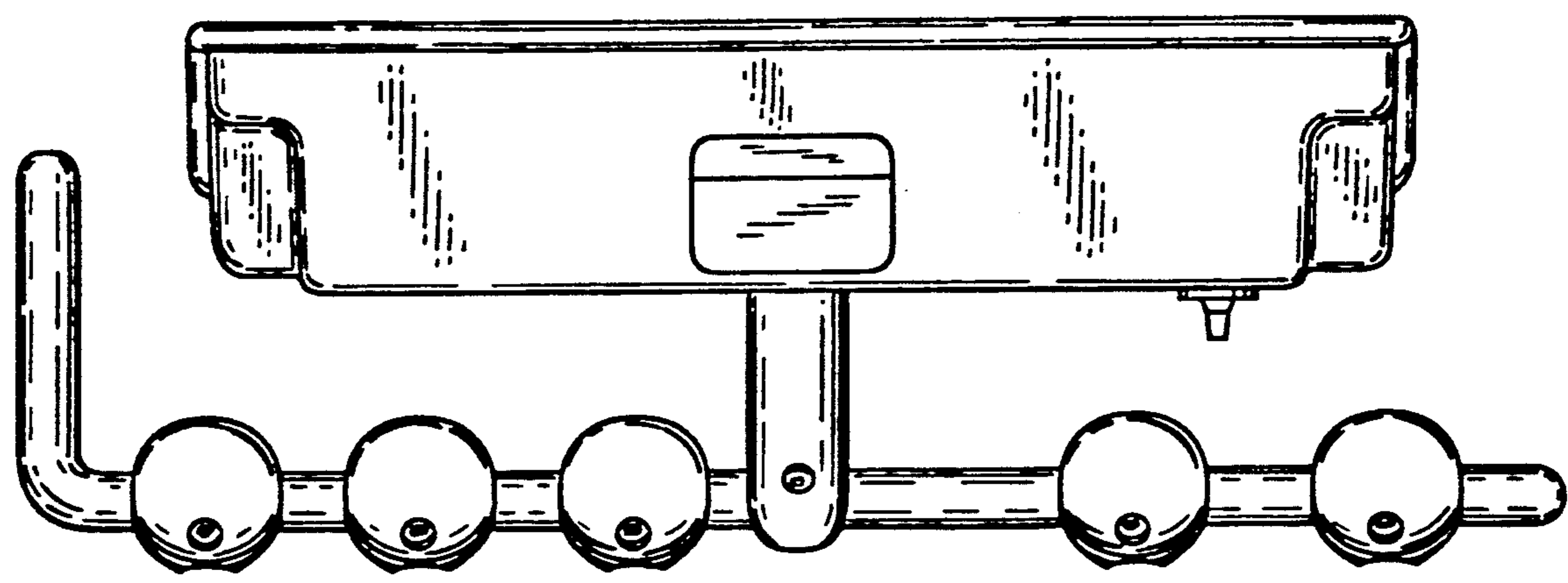


FIG. 7



UNITED STATES PATENT AND TRADEMARK OFFICE
CERTIFICATE OF CORRECTION

PATENT NO. : Des. 328, 791
DATED : August 18, 1992
INVENTOR(S) : Nordstrom et al

Page 1 of 2

It is certified that error appears in the above-identified patent and that said Letters Patent is hereby corrected as shown below:

The title page should be deleted to appear as per attached title page.

Signed and Sealed this
Twenty-eighth Day of December, 1993

Attest:



BRUCE LEHMAN

Attesting Officer

Commissioner of Patents and Trademarks

United States Patent [19]
Nordstrom et al.

[11] **Patent Number: Des. 328,791**
 [45] **Date of Patent: ** Aug. 18, 1992**

[54] **DENTAL CONTROL UNIT**

[75] **Inventors:** Carl Nordstrom, Lake Oswego;
 Larry D. Lietz, Dundee; George K.
 Austin, Jr., Newberg; Raymond G.
 Reed, Milwaukie, all of Oreg.

[73] **Assignee:** A-Dec, Inc., Newberg, Oreg.

[**] **Term:** 14 Years

[21] **Appl. No.:** 595,375

[22] **Filed:** Nov. 27, 1990

[52] **U.S. Cl. D24/177**

[58] **Field of Search D24/176-179;**
 433/52-54, 27-28, 25, 103-105, 49, 72, 125, 77,
 79

[56] **References Cited**

U.S. PATENT DOCUMENTS

D. 197,406 1/1964 Haas D24/177
 D. 243,188 1/1977 Meyer D24/177

D. 288,122 2/1987 McGaha et al. D24/177
 4,226,590 10/1980 Hofmann 433/28
 4,770,632 9/1988 Ryder et al. 433/28

Primary Examiner—Susan J. Lucas
Assistant Examiner—M. H. Tung
Attorney, Agent, or Firm—Klarquist, Sparkman,
 Campbell, Leigh & Winston

[57] **CLAIM**

The ornamental design for a dental control unit, as shown and described.

DESCRIPTION

FIG. 1 is a top perspective view of a dental control unit showing our new design;
 FIG. 2 is a right side elevational view thereof;
 FIG. 3 is a left side elevational view thereof;
 FIG. 4 is a top plan view thereof;
 FIG. 5 is a front elevational view thereof;
 FIG. 6 is a bottom plan view thereof; and,
 FIG. 7 is a rear elevational view thereof.

