



US00D328789S

United States Patent [19]

[11] Patent Number: **Des. 328,789**

Kopf

[45] Date of Patent: **** Aug. 18, 1992**

[54] **FILTER SHEET SUPPORT ELEMENT**

[76] Inventor: **Henry B. Kopf**, 108 Coatbridge Cir., Cary, N.C. 27511

[**] Term: **14 Years**

[21] Appl. No.: **487,180**

[22] Filed: **Mar. 1, 1990**

[52] U.S. Cl. **D24/162**

[58] Field of Search **D24/162, 164, 169;**
210/321.61, 321.86, 321.87, 323.1, 340, 231,
321.75, 486, 487, 493.1, 493.2

4,735,718	5/1986	Peters	210/321.1
4,750,983	6/1988	Foster et al.	204/301
4,769,140	9/1988	Van Dijk et al.	210/184
4,801,381	1/1989	Niesen	210/321.84
4,867,876	9/1989	Kopf	210/228
4,882,050	11/1989	Kopf	210/231
4,956,085	9/1990	Kopf	210/231

FOREIGN PATENT DOCUMENTS

369216	8/1984	European Pat. Off. .
2930986	2/1980	Fed. Rep. of Germany .
229603	1/1985	German Democratic Rep. .
8600237	1/1986	PCT Int'l Appl. .
1392030	4/1975	United Kingdom .

[56] **References Cited**

U.S. PATENT DOCUMENTS

744,761	11/1903	James .	
802,105	10/1905	Johnson et al. .	
1,138,251	5/1915	Schaefer .	
1,282,414	12/1918	Hagstrom .	
1,540,251	9/1925	Buckley et al. .	
2,390,628	12/1945	Van Winkle	210/188
2,473,986	9/1949	Booth	210/185
2,590,242	3/1952	Fusco	210/188
3,221,883	12/1965	Linnström	210/228
3,471,023	10/1969	Rosaen	210/493.1 X
3,520,803	7/1970	Iaconelli	210/23
3,585,131	6/1971	Esmond	210/321
3,659,718	5/1972	Brociner et al.	210/486 X
3,966,612	6/1976	Johansson	210/338
3,988,242	10/1976	Kurita et al.	210/227
4,229,304	10/1980	Fisner	210/231
4,235,721	11/1980	Nakamura et al.	210/227
4,310,416	1/1982	Tanaka et al.	210/321.3
4,411,784	10/1983	Esmond	210/321.1
4,430,218	2/1984	Peri et al.	210/321.3
4,540,492	9/1985	Kessler	216/651
4,543,187	9/1985	Steppacher	210/232
4,610,789	9/1986	Barch	210/321.87
4,624,784	11/1986	Lefebvre	210/321.1

OTHER PUBLICATIONS

Prostak TM Bench Top Development System Lit No. SD200, Aug. 1986.

"Laboratory Ultra Filtration Products for Improved Biological Recovery", Lit. No. AB841, Oct. 1988.

"Shorten the Race to the Market with Millipore Pilot and Process Systems", Lit. No. SD100, Jan. 1988.

Primary Examiner—Stella Reid

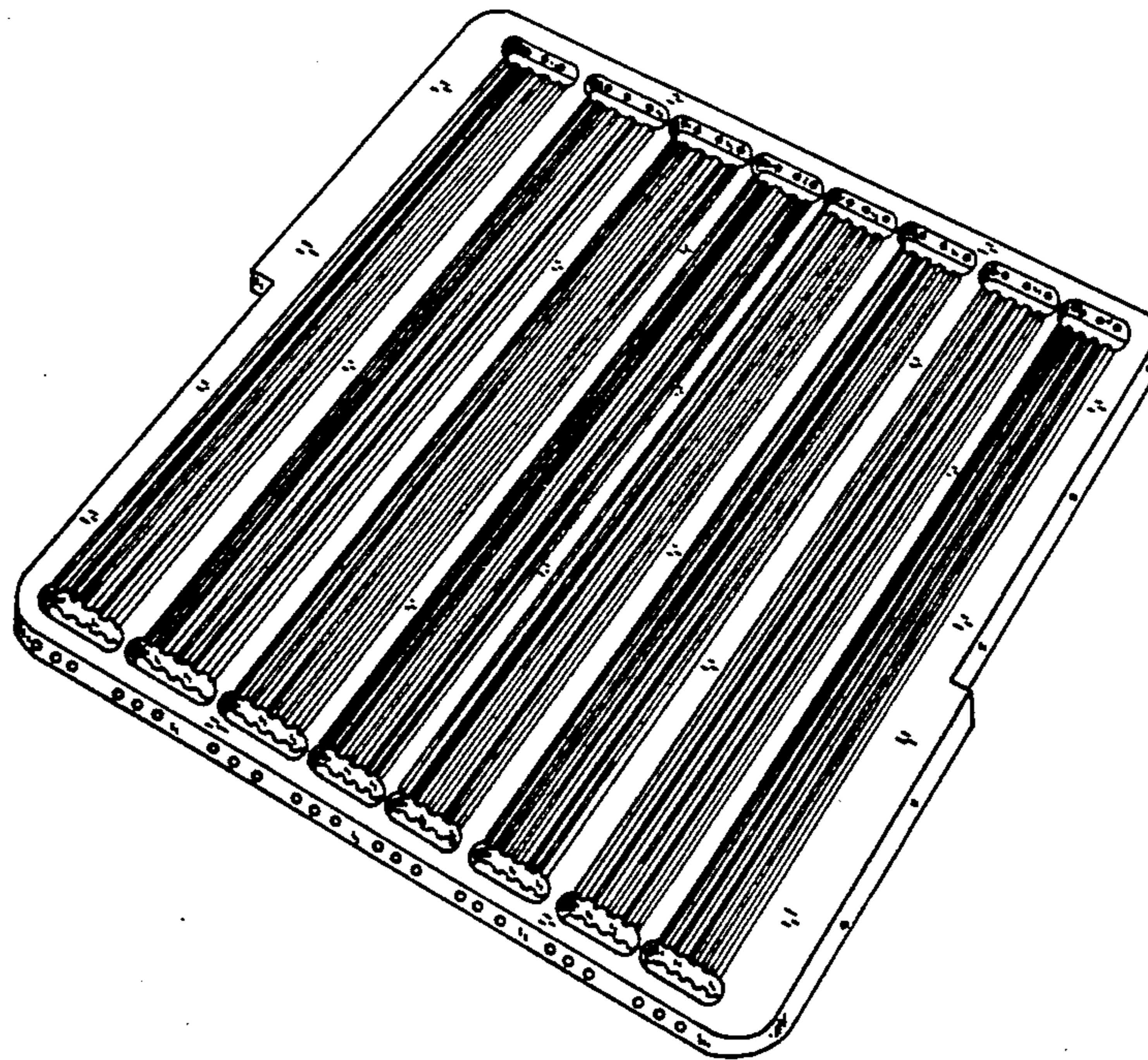
Attorney, Agent, or Firm—Steven J. Hultquist

[57] **CLAIM**

The ornamental design for a filter sheet support element, as shown and described.

DESCRIPTION

FIG. 1 is a perspective view of a filter sheet support element, showing my new design; FIG. 2 is a top plan view thereof, the bottom plan view being identical thereto; FIG. 3 is a right side elevational view thereof, the left side elevational view being identical thereto; and, FIG. 4 is a front elevational view thereof, the rear elevational view being identical thereto.



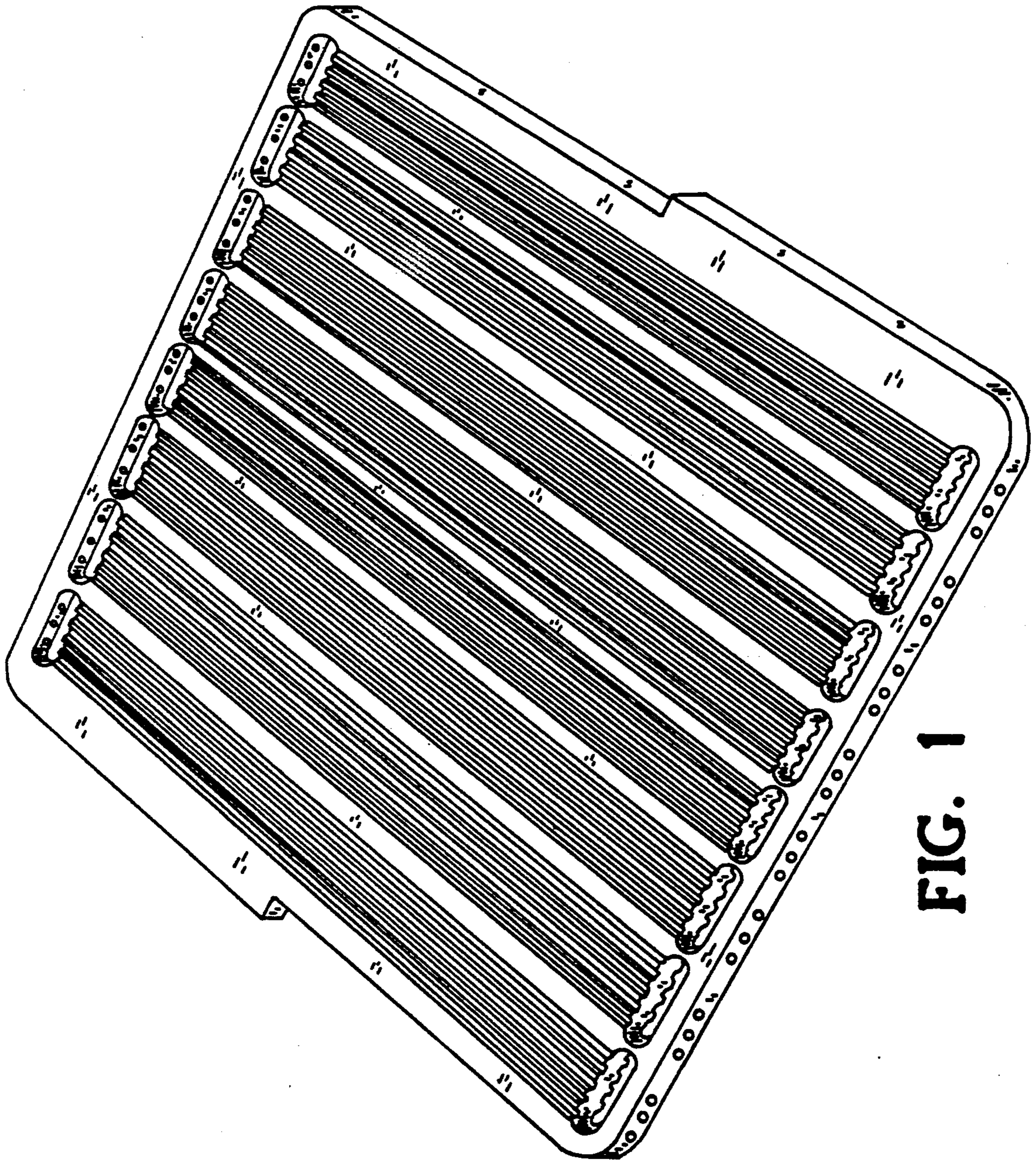


FIG. 1

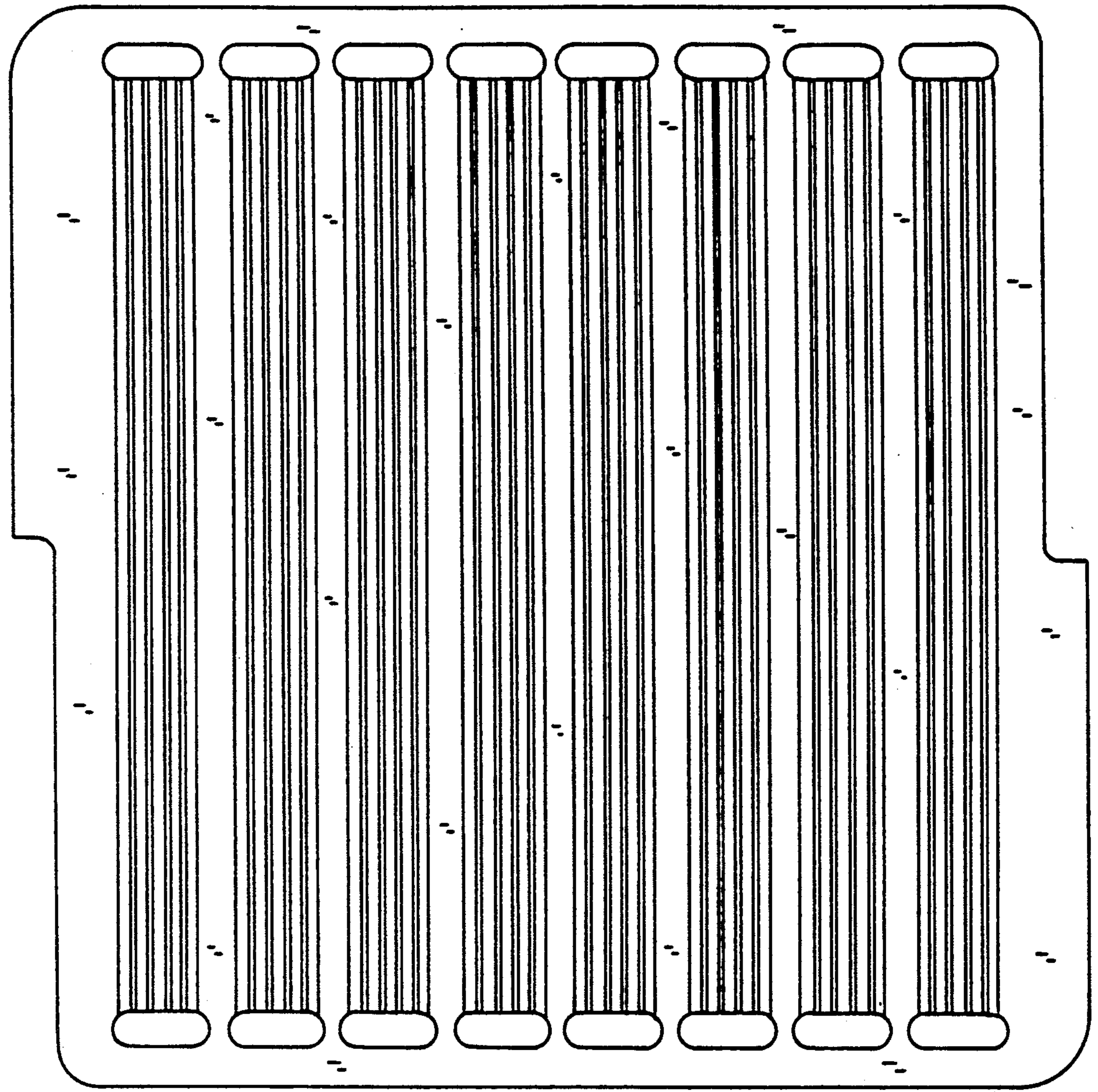


FIG. 2



FIG. 3



FIG. 4