



US00D328787S

# United States Patent [19]

[11] Patent Number: **Des. 328,787**

Picha et al.

[45] Date of Patent: **\*\* Aug. 18, 1992**

[54] PERCUTANEOUS REPLACEMENT GASTROSTOMY TUBE

4,573,576	3/1986	Krul	604/104 X
4,668,225	5/1987	Russo et al.	604/104 X
4,826,481	5/1989	Sacks et al.	604/104 X

[75] Inventors: **George J. Picha, Independence; Dean J. Secrest, Euclid, both of Ohio**

*Primary Examiner—Stella Reid*  
*Assistant Examiner—I. Simmons*

[73] Assignee: **Applied Medical Technology, Inc., Independence, Ohio**

*Attorney, Agent, or Firm—Pearne, Gordon, McCoy & Granger*

[\*\*] Term: **14 Years**

[57] **CLAIM**

[21] Appl. No.: **497,335**

The ornamental design for a percutaneous replacement gastrostomy tube, as shown and described.

[22] Filed: **Mar. 22, 1990**

**DESCRIPTION**

[52] U.S. Cl. .... **D24/108**

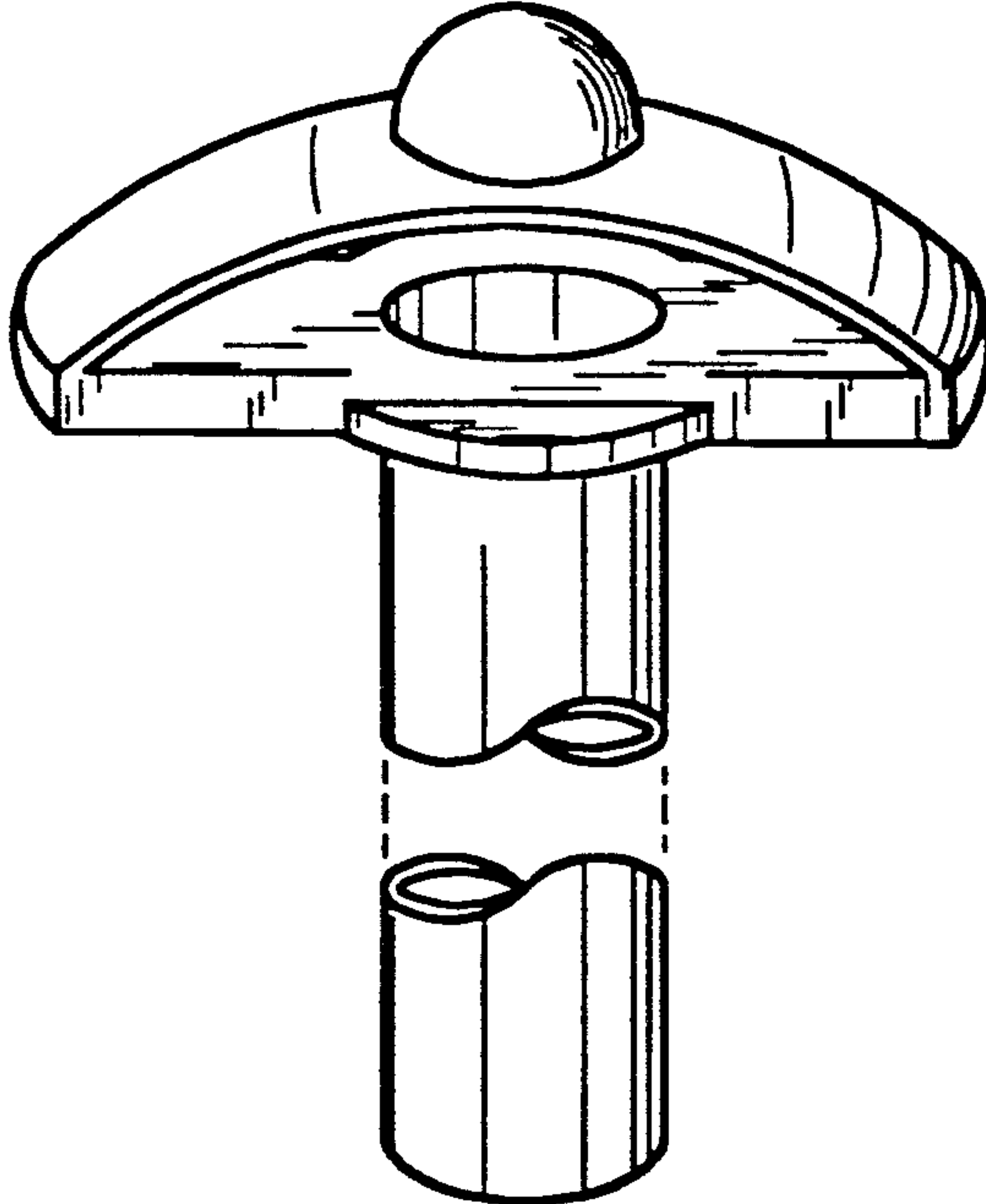
[58] Field of Search ..... **D24/107, 108, 112; 604/35, 98, 104, 119**

FIG. 1 is a top perspective view of a percutaneous replacement gastrostomy tube showing our new design; FIG. 2 is a bottom perspective view thereof; FIG. 3 is a front elevational view thereof, the rear elevational view being identical thereto; FIG. 4 is a side elevational view thereof, the opposite side elevational view being identical thereto; and, FIG. 5 is a top plan view thereof.

[56] **References Cited**

**U.S. PATENT DOCUMENTS**

D. 323,886	2/1992	Picha et al.	D24/108
3,915,171	10/1975	Shermeta	604/101



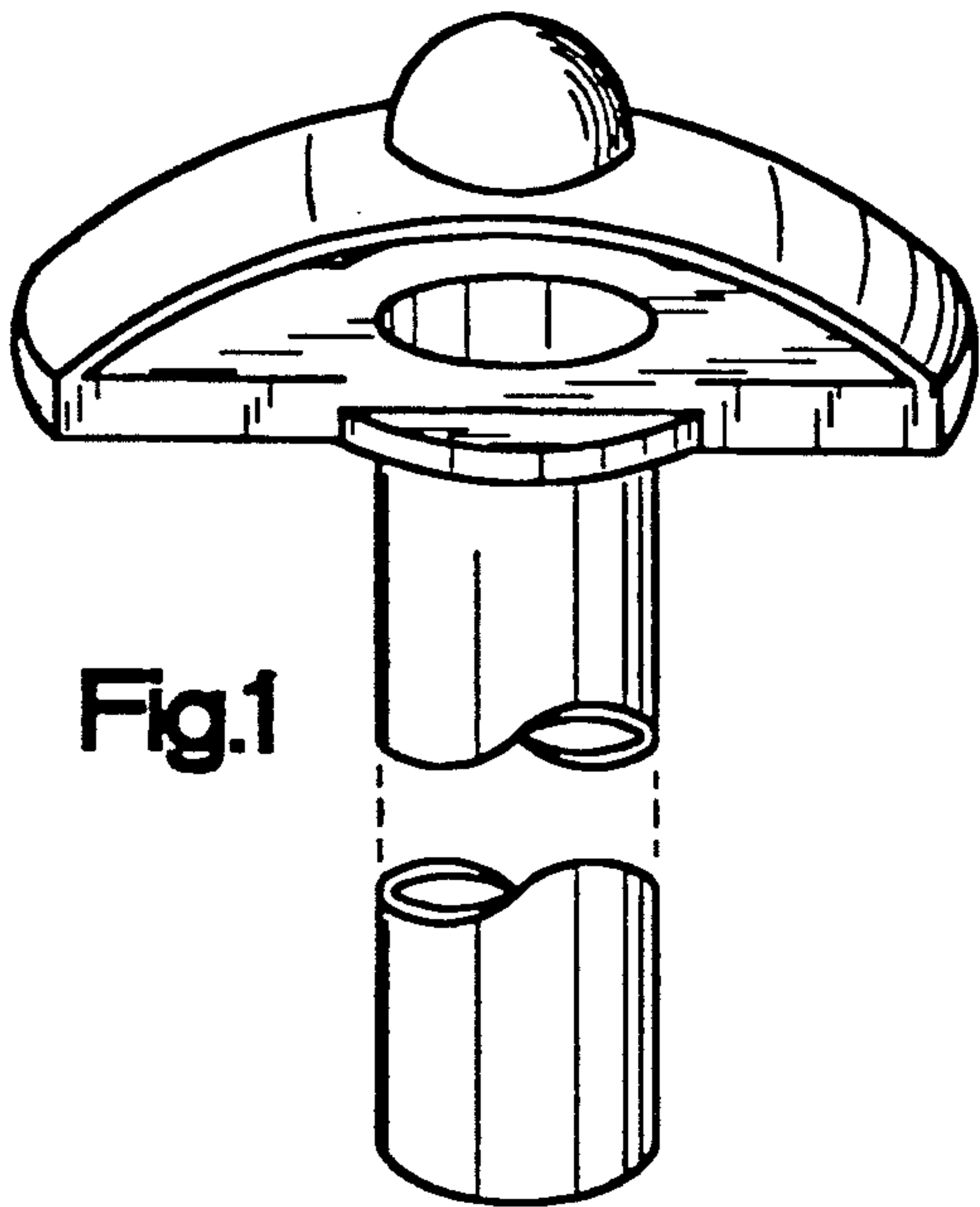


Fig.1

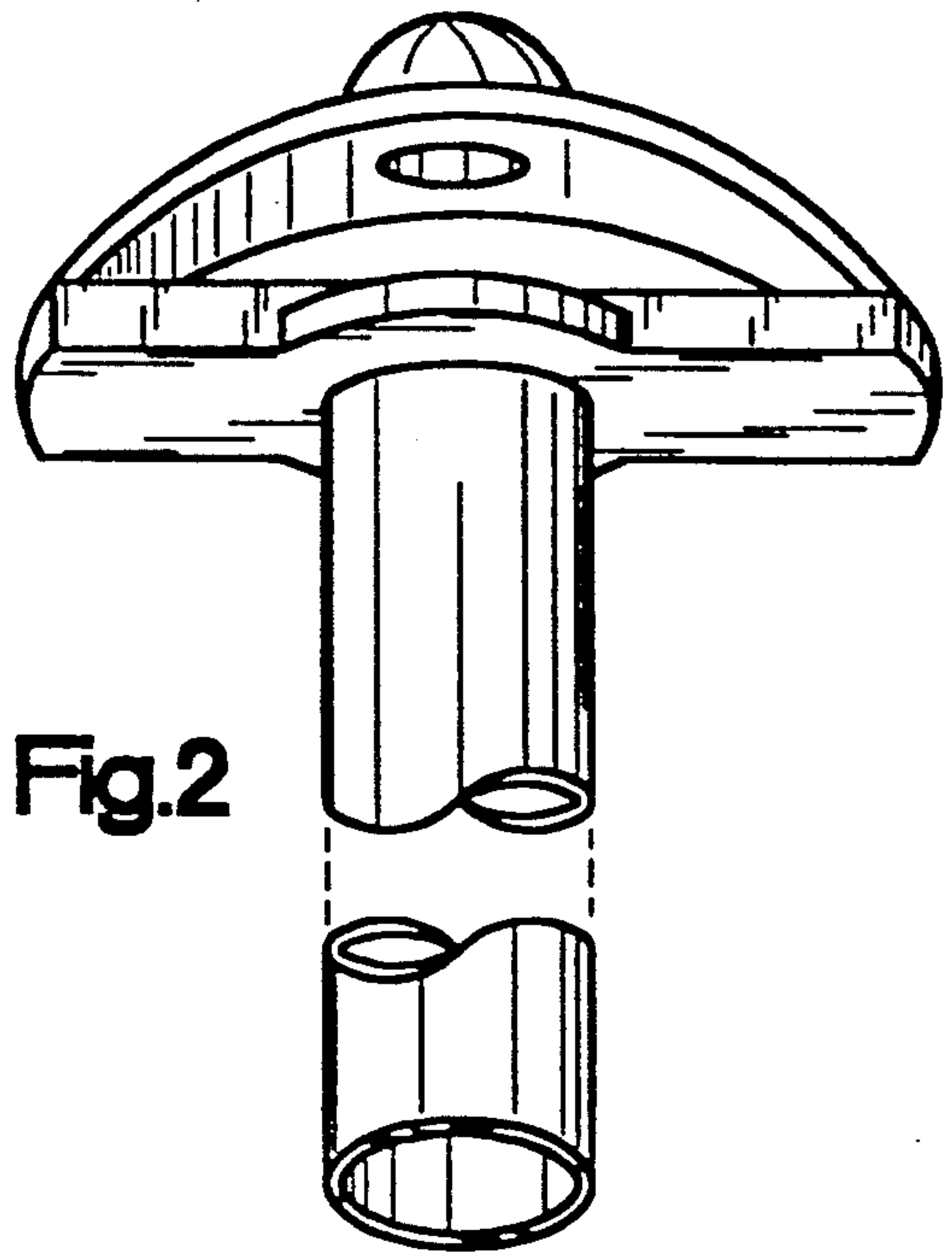


Fig.2



Fig.3

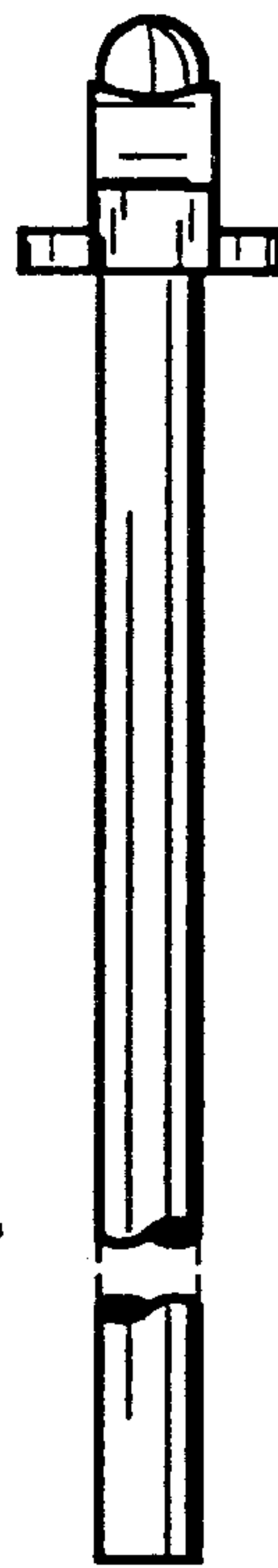


Fig.4

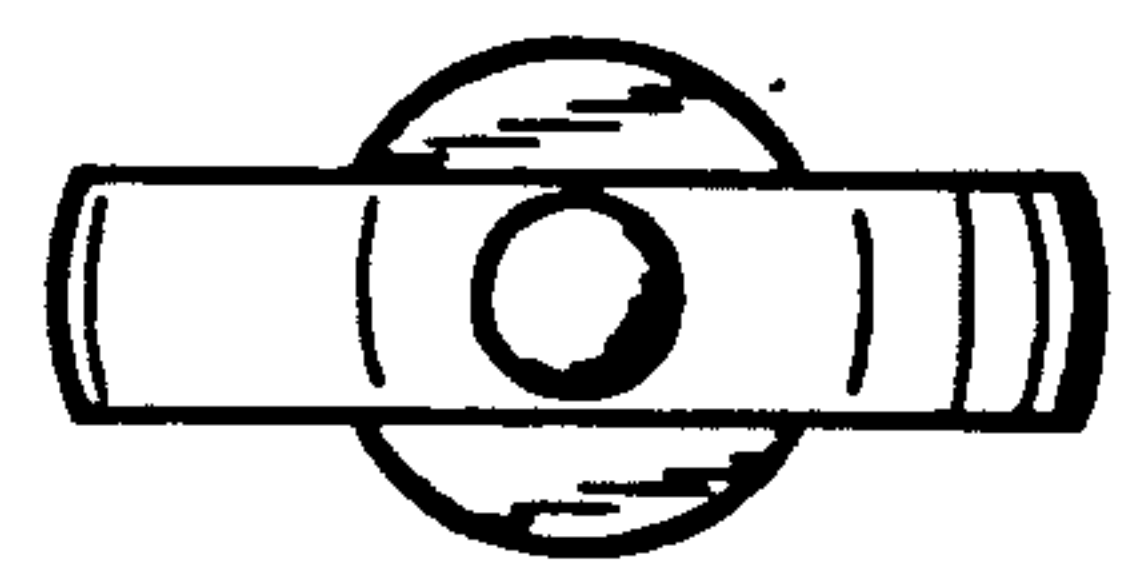


Fig.5