



US00D328786S

# United States Patent [19]

[11] Patent Number: **Des. 328,786**

**Obson**

[45] Date of Patent: **\*\* Aug. 18, 1992**

[54] **TRACK MOUNTED FAN UNIT**

[76] Inventor: **Stephen Obson, 61 Dubonnet Dr., Depew, N.Y. 14043**

[\*\*] Term: **14 Years**

[21] Appl. No.: **543,071**

[22] Filed: **Jun. 25, 1990**

[52] U.S. Cl. .... **D23/380; D26/65**

[58] Field of Search ..... **D23/380, 370; D26/63, D26/65; 362/96, 239; 248/674, 225.1, 222.3; 416/5**

3,604,913 9/1971 Crete ..... 362/239  
4,190,881 5/1978 Drost et al. .... 362/239  
4,450,655 5/1984 Rosenthal et al. .... 248/222.3

*Primary Examiner*—Wallace R. Burke  
*Assistant Examiner*—Lisa Lichtenstein  
*Attorney, Agent, or Firm*—Terry M. Gernstein

[57] **CLAIM**

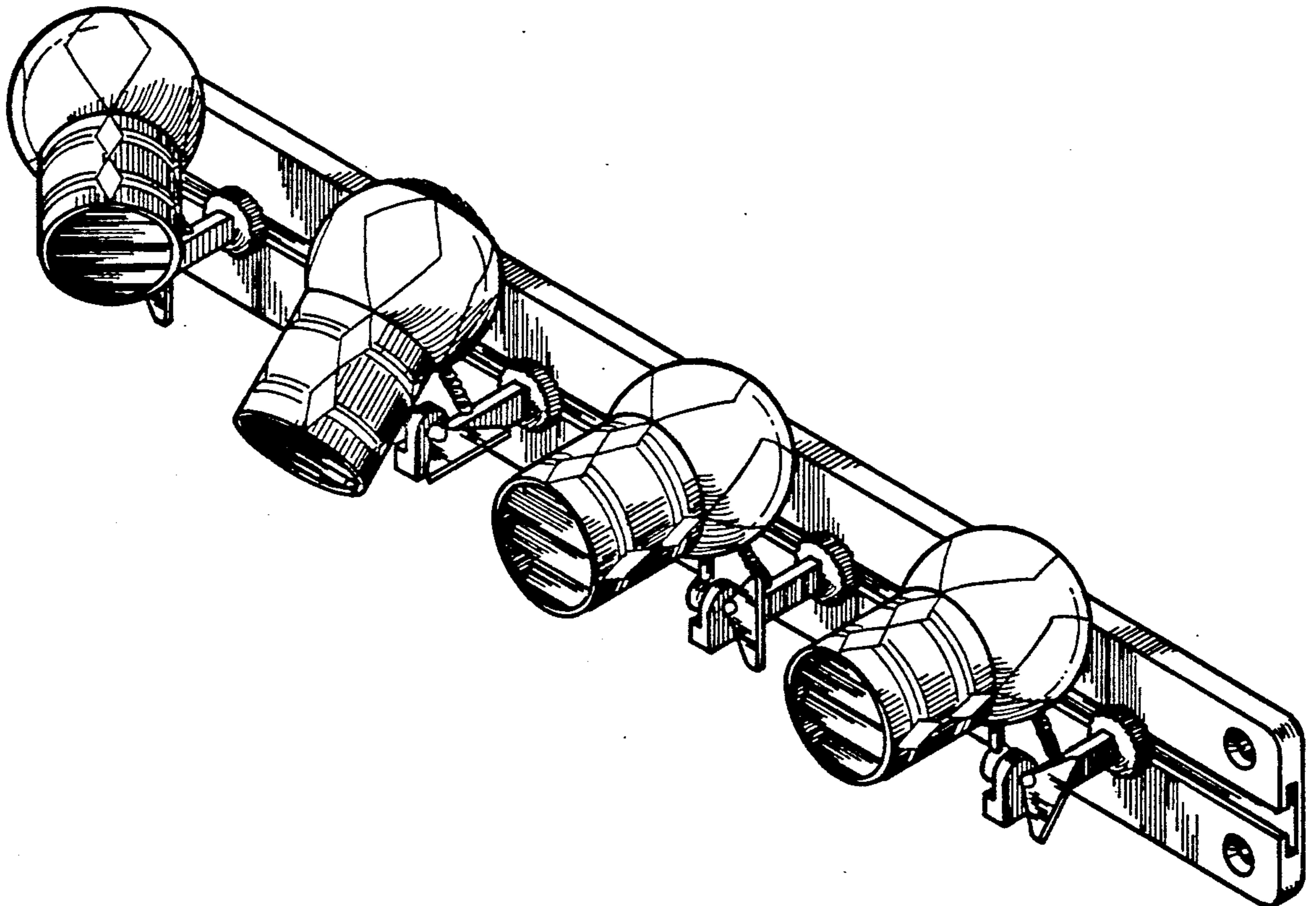
The ornamental design for a track mounted fan unit, as shown and described.

**DESCRIPTION**

FIG. 1 is a front, top and right side perspective view of a track mounted fan unit showing my new design; FIG. 2 is a partial front elevational view thereof; FIG. 3 is a partial rear elevational view thereof; FIG. 4 is a partial bottom plan view thereof; FIG. 5 is a partial left side elevation view thereof; and, FIG. 6 is a top plan view thereof, the bottom view being a mirror image of the top view shown in FIG. 6. The track mounted fan unit has been broken away in FIGS. 2-6 for ease of illustration.

[56] **References Cited**  
**U.S. PATENT DOCUMENTS**

D. 118,846	2/1940	Wommer .....	D26/63
D. 149,266	4/1948	Gustafson .....	D26/63
D. 181,416	11/1957	Hewitt .....	D26/63
D. 304,292	10/1989	Sträter .....	D26/65
D. 313,867	1/1991	Fremont et al. ....	D26/63
D. 319,512	8/1991	Lettenmayer .....	D26/63
2,268,801	1/1942	Carlton .....	D23/370



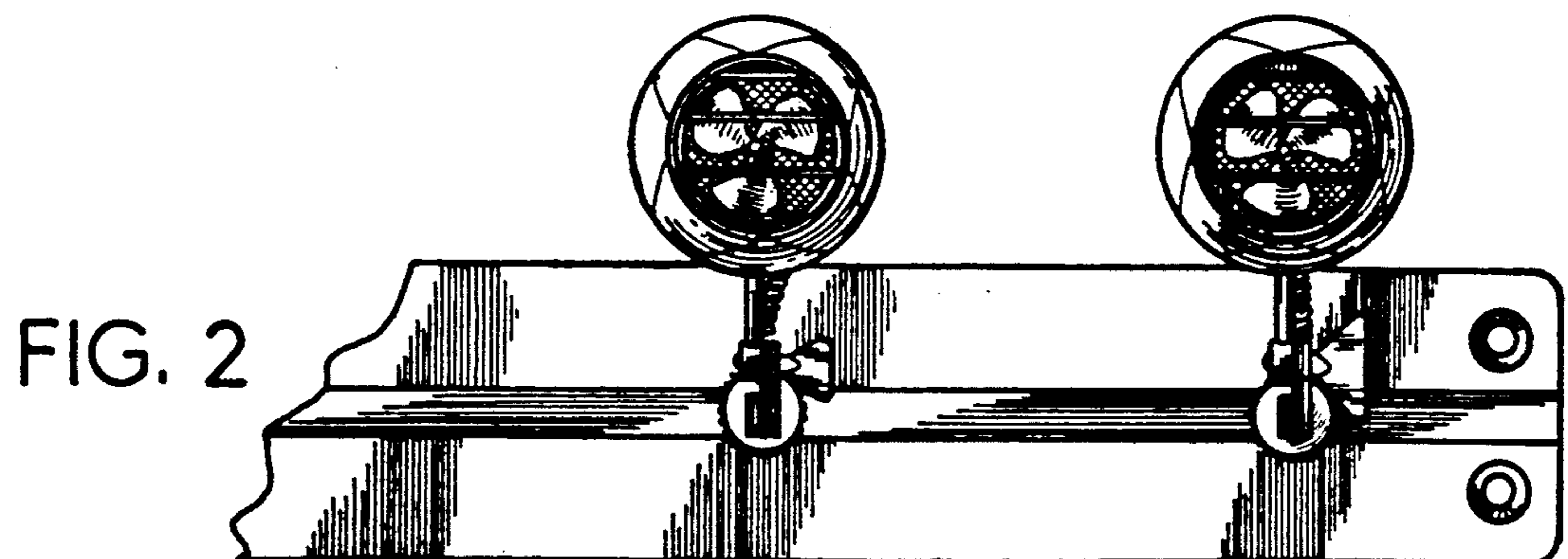
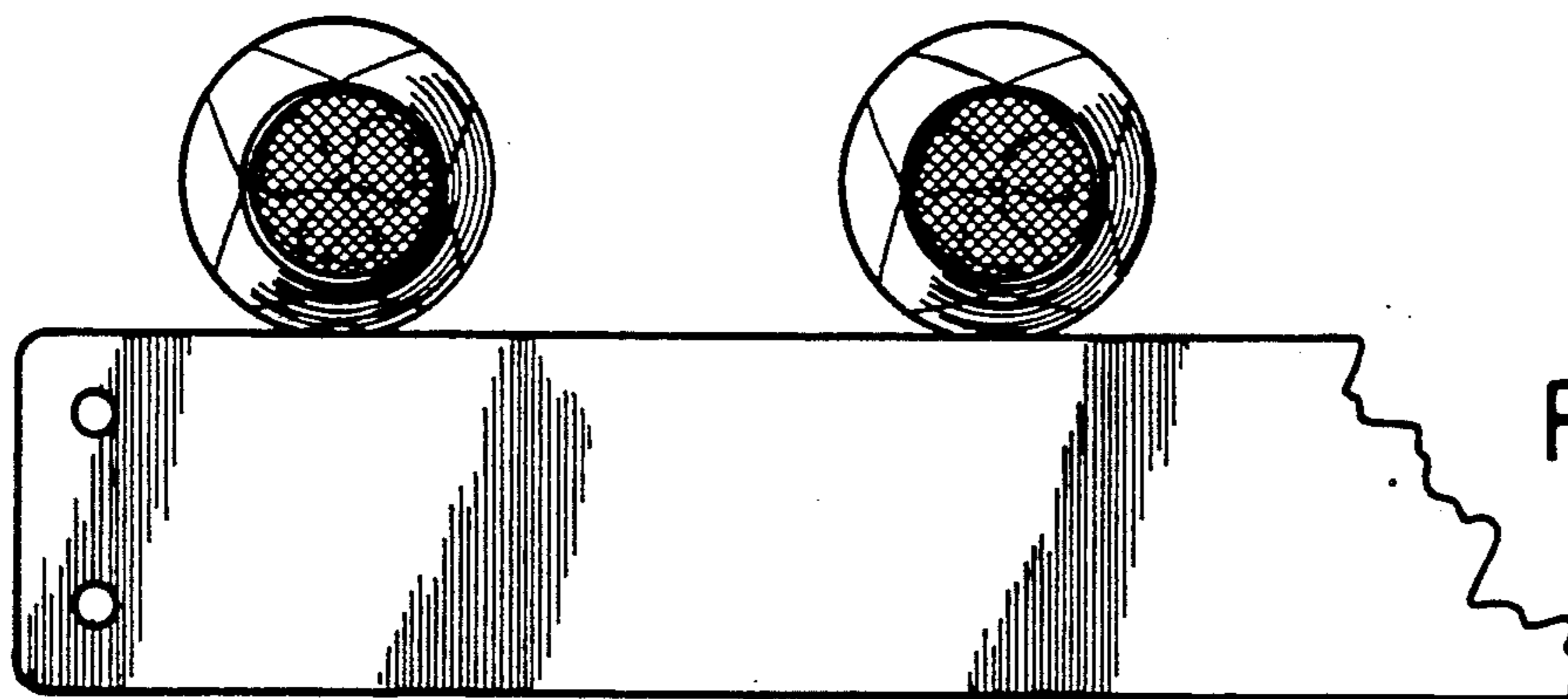
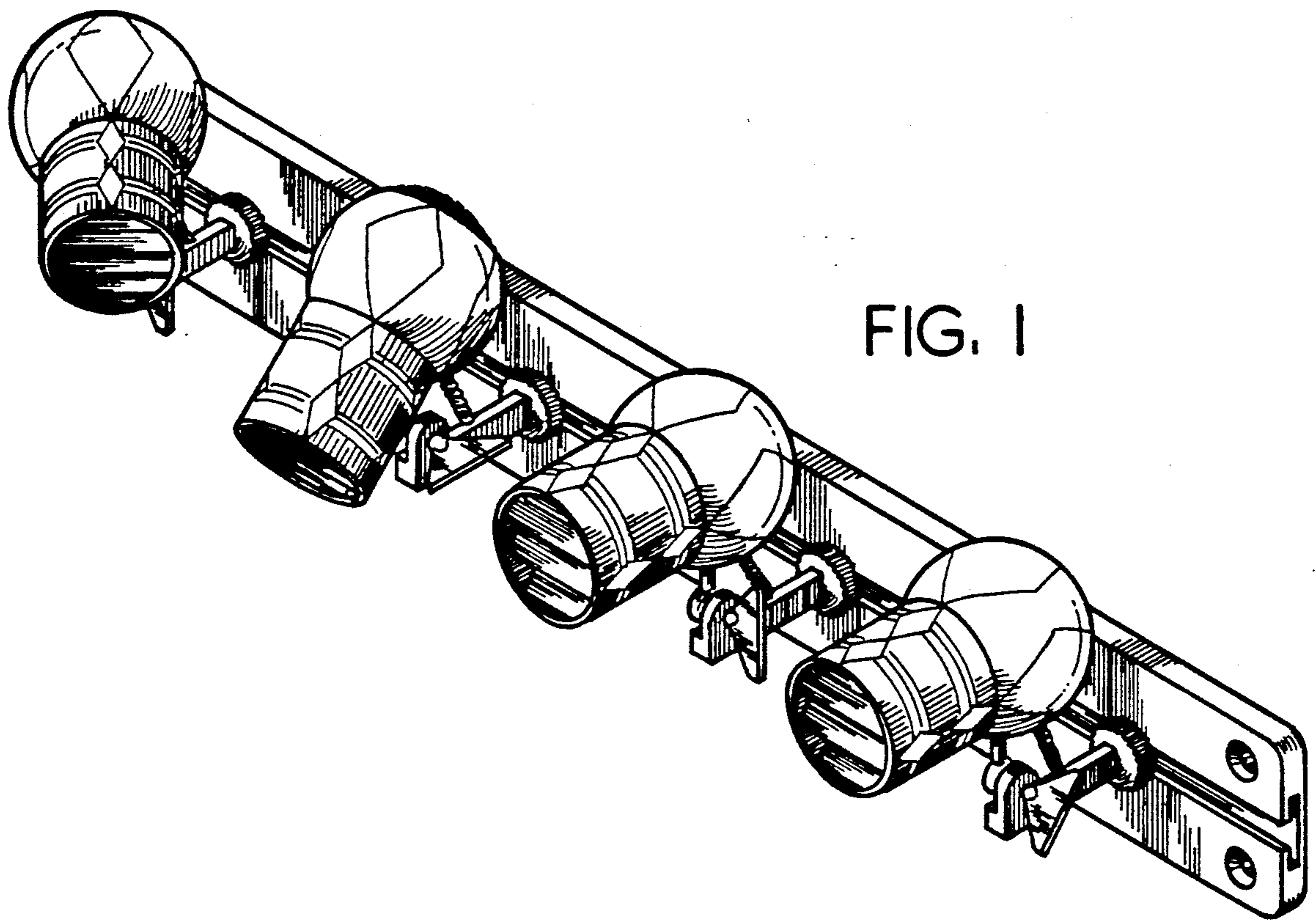


FIG. 6

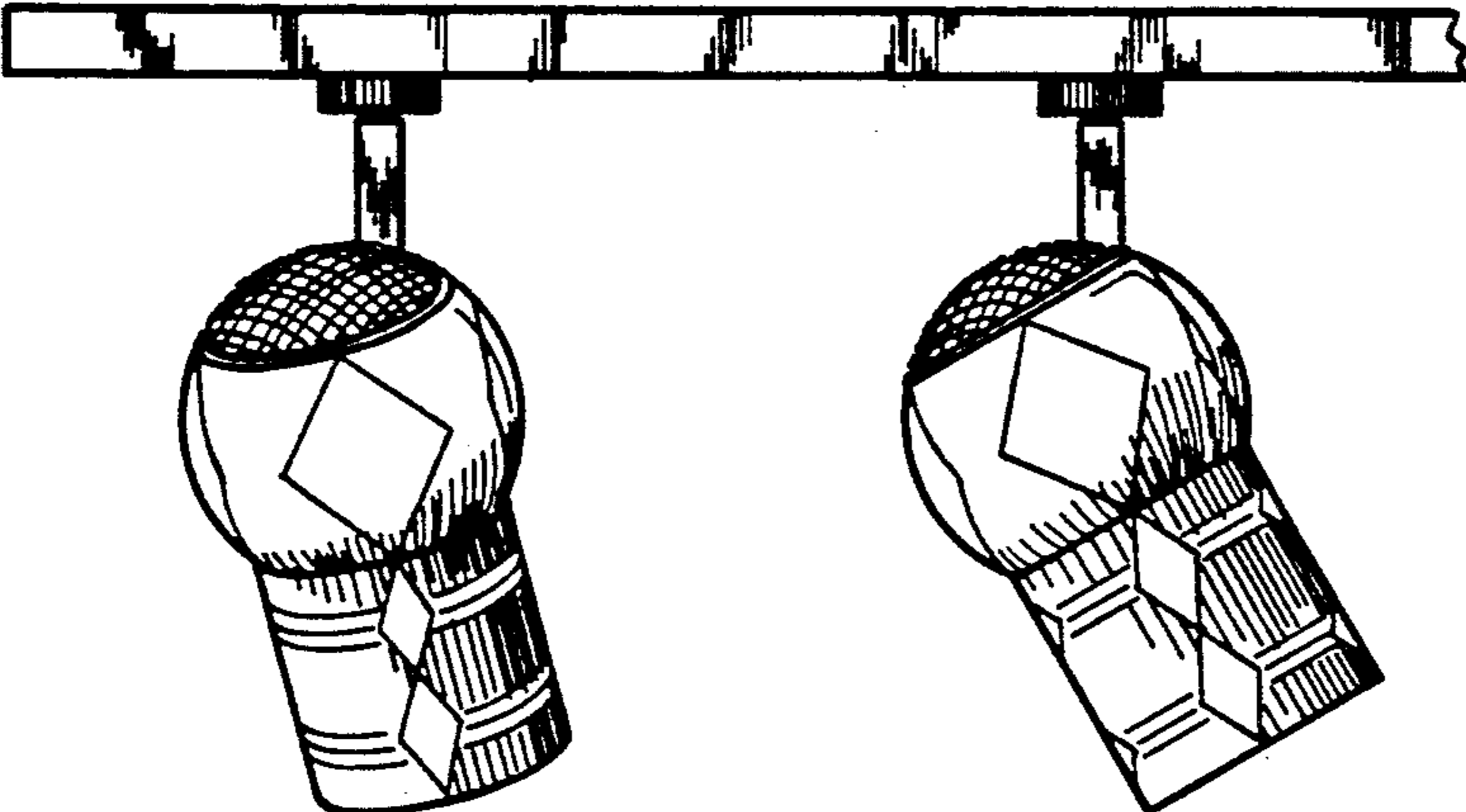


FIG. 4

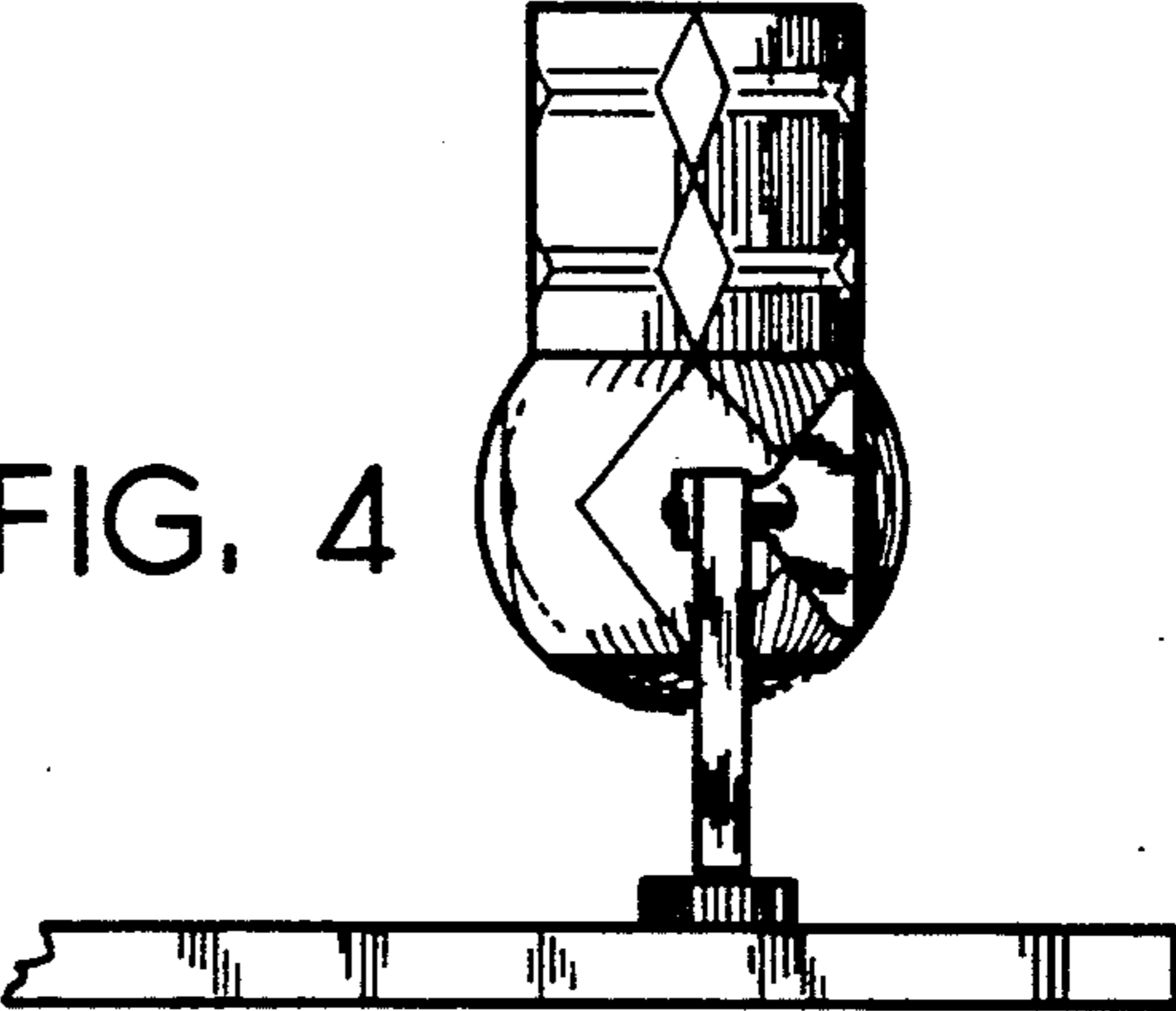


FIG. 5

