



US00D328784S

# United States Patent [19]

[11] Patent Number: **Des. 328,784**

Ragonesi

[45] Date of Patent: \*\* Aug. 18, 1992

[54] **FRAGRANCE CARTRIDGE FOR USE IN A ROOM AIR FRESHENING UNIT**

[75] Inventor: **Mary L. Ragonesi, New York, N.Y.**

[73] Assignee: **Montrose Products, Inc., New York, N.Y.**

[\*\*] Term: **14 Years**

[21] Appl. No.: **548,638**

[22] Filed: **Jul. 5, 1990**

[52] U.S. Cl. .... **D23/366; D25/136**

[58] Field of Search ..... **D23/366-369; 206/0.5; D25/136; D3/30.1; 422/123; D9/341; 239/60, 211; 428/905**

[56] **References Cited**

**U.S. PATENT DOCUMENTS**

D. 17,182	3/1887	Mankey	.....	D25/136
D. 32,376	3/1900	McKinster	.....	D3/30.1
D. 295,676	5/1988	Steiner et al.	.....	D23/366
D. 315,542	3/1991	Dalton et al.	.....	D25/136

**OTHER PUBLICATIONS**

Methods and Materials of Residential Construction ©1981, p. 238 molding 31, lower left side of page.  
WP/Series Moulding Patterns, 1967 Edition, p. 11, casing WP 395, top right side of page.  
DeWalt Products Corp. Adv. Brochure, ©1940, p. 6, molding A upper left side of page.

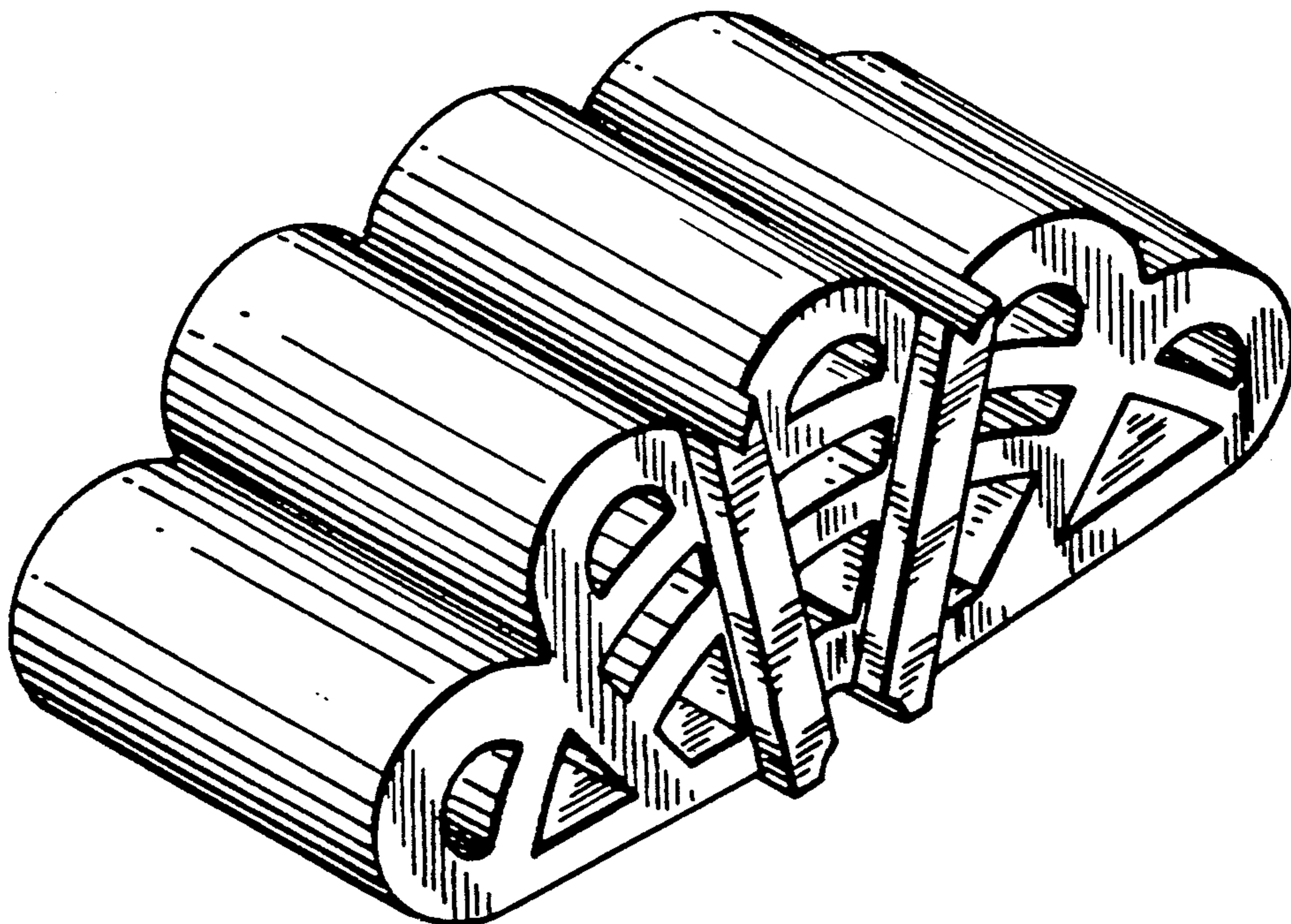
*Primary Examiner*—Wallace R. Burke  
*Assistant Examiner*—Lisa Lichtenstein  
*Attorney, Agent, or Firm*—Blum Kaplan

[57] **CLAIM**

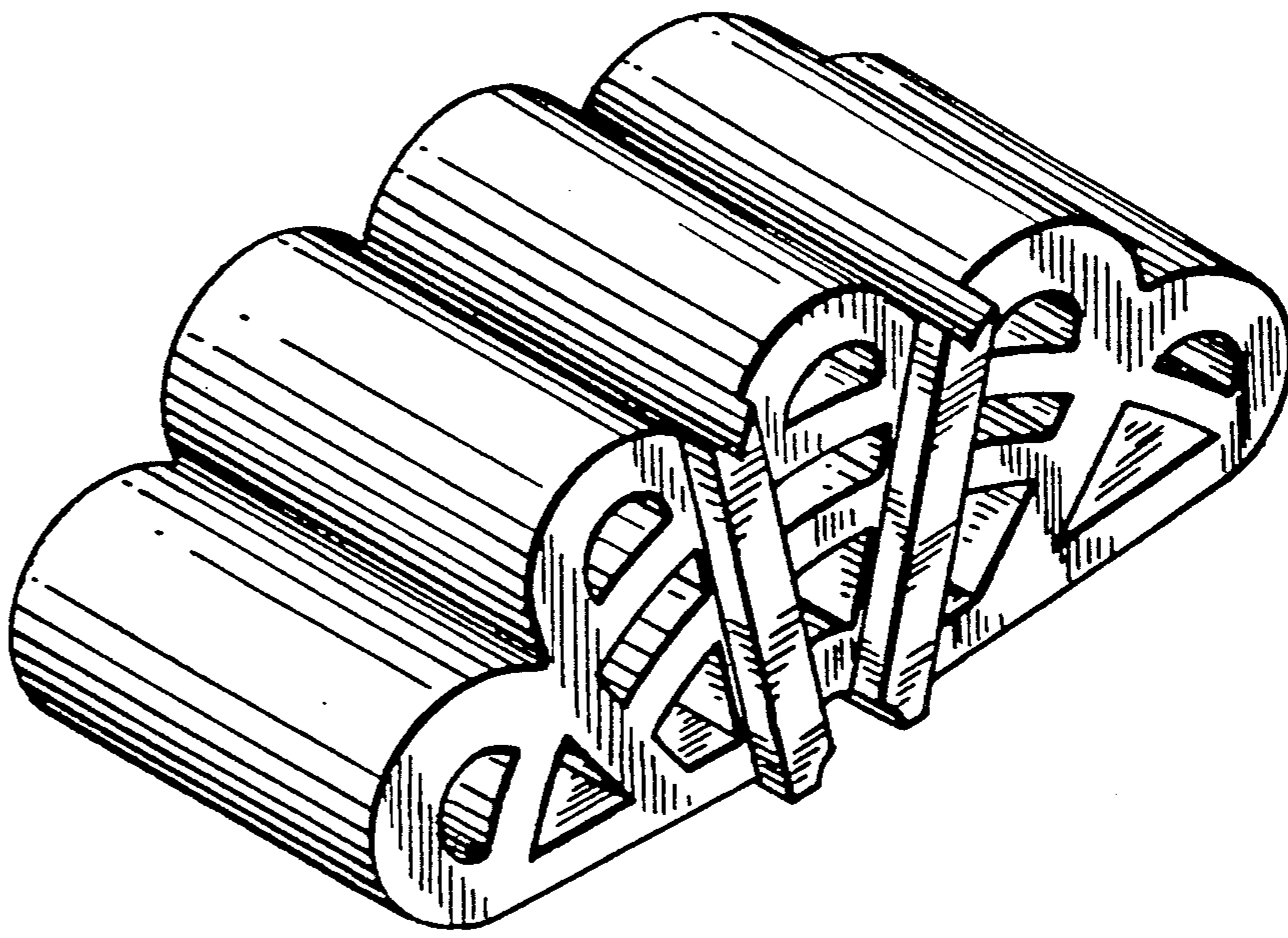
The ornamental design for a fragrance cartridge for use in a room air freshening unit, as shown and described.

**DESCRIPTION**

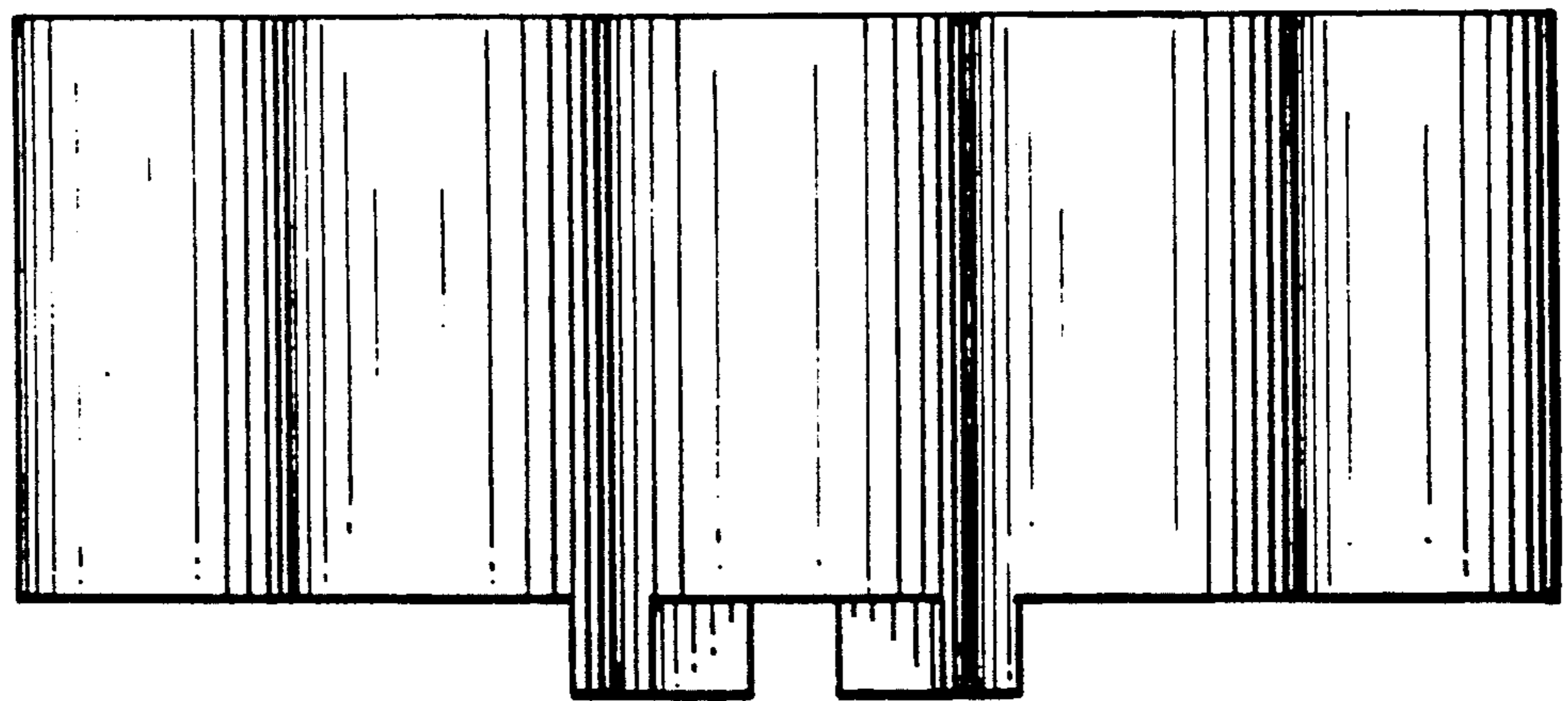
FIG. 1 is a top, front and right side perspective view of a fragrance cartridge for use in a room air freshening unit, showing my new design;  
FIG. 2 is a top plan view thereof;  
FIG. 3 is a front elevational view thereof;  
FIG. 4 is a left side elevational view thereof, the right side elevational view being a mirror image thereof;  
FIG. 5 is a rear elevational view thereof; and,  
FIG. 6 is a bottom plan view thereof.



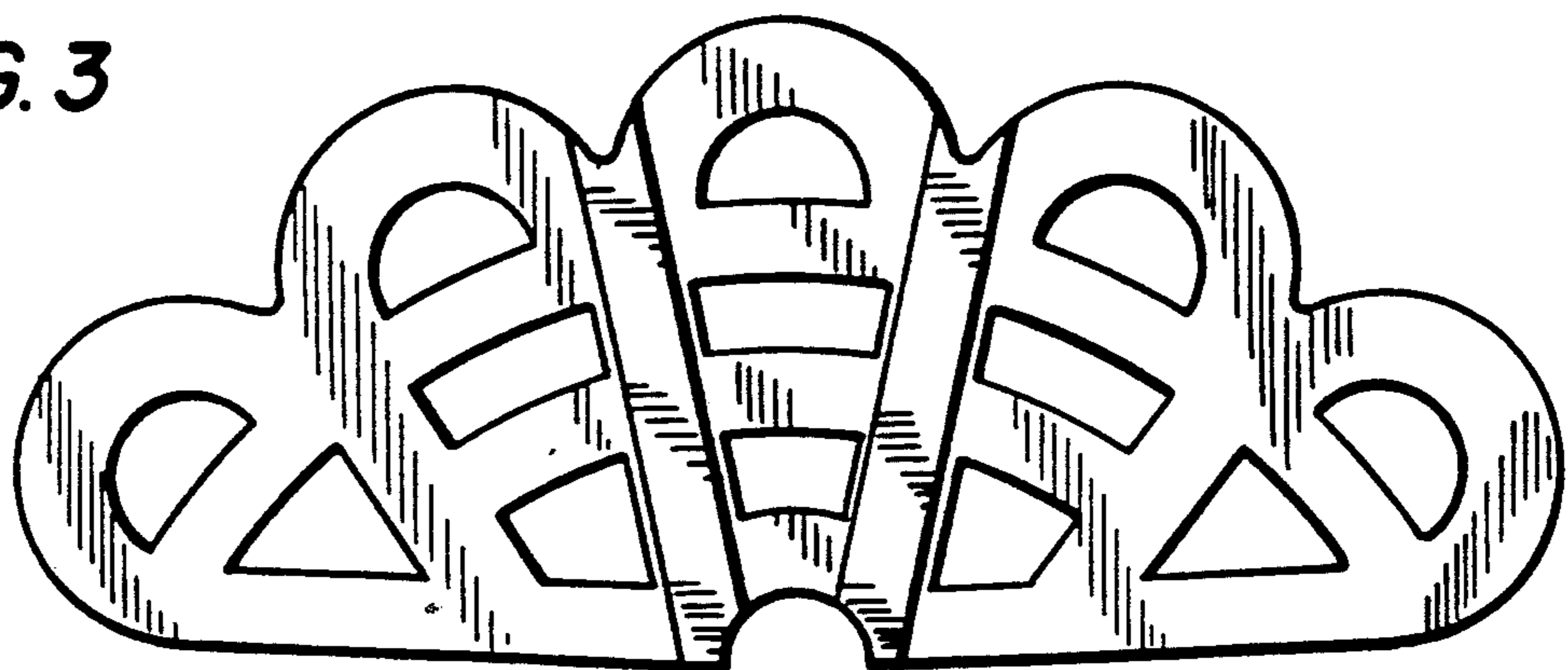
*FIG. 1*



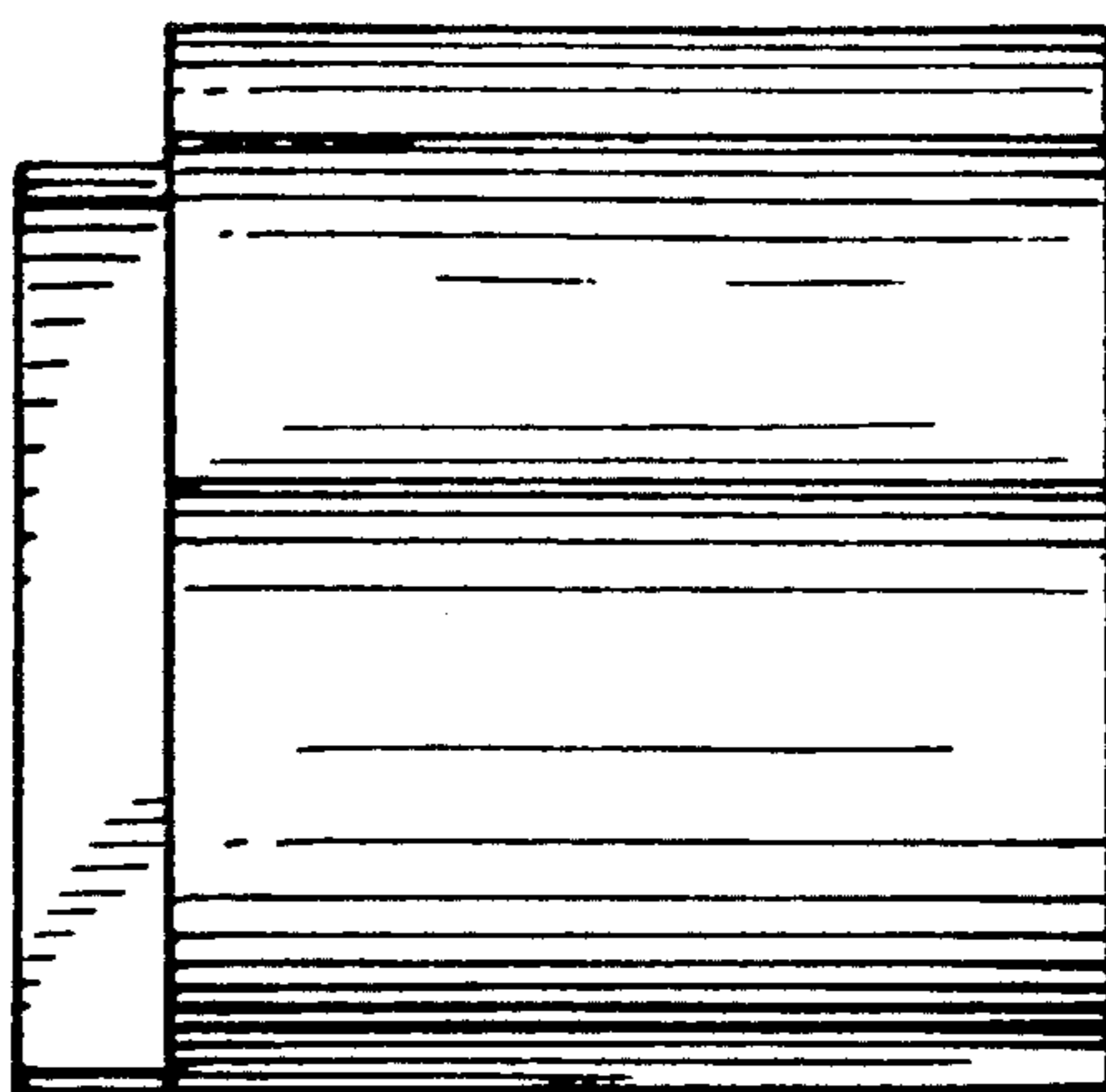
*FIG. 2*



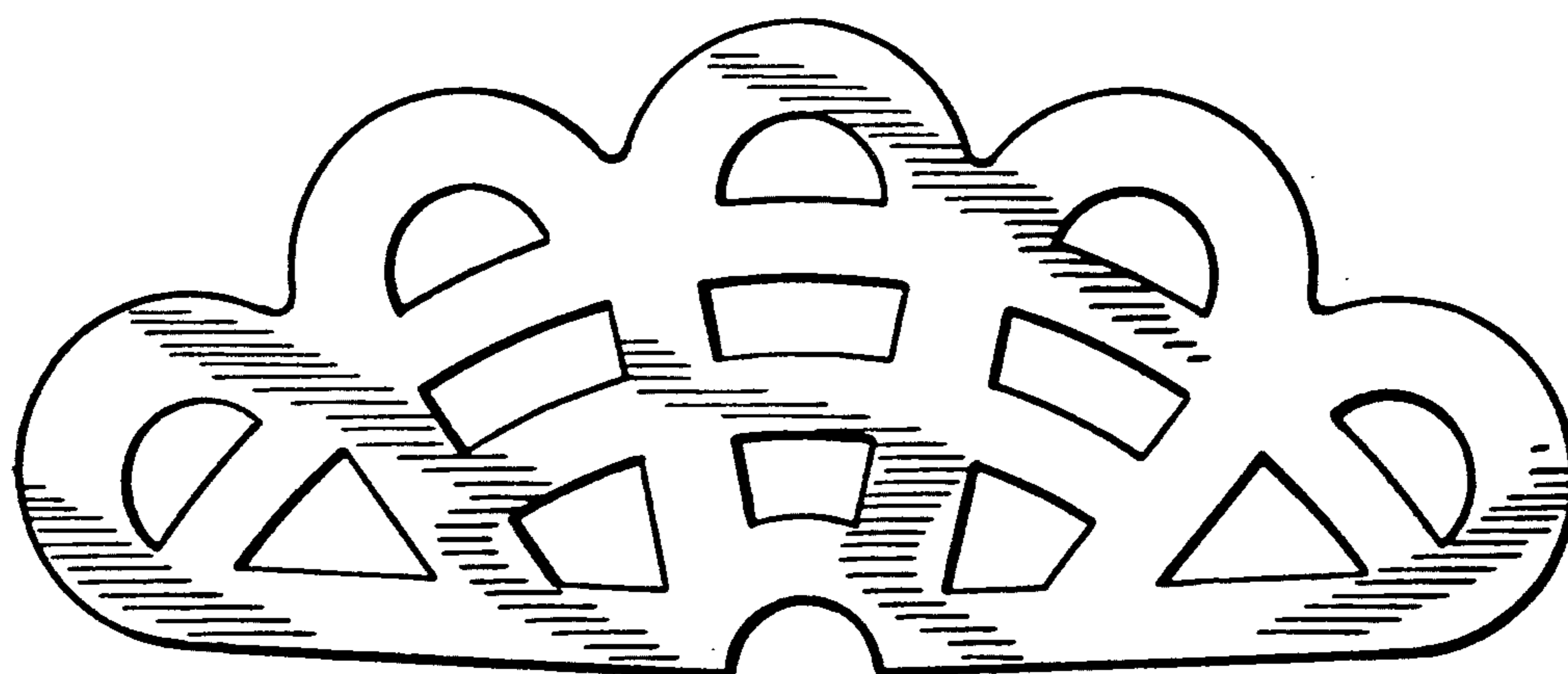
*FIG. 3*



*FIG. 4*



*FIG. 5*



*FIG. 6*

