



US00D328783S

United States Patent [19]

[11] Patent Number: **Des. 328,783**

Vander Meulen et al.

[45] Date of Patent: **** Aug. 18, 1992**

[54] **DOUBLE BOWL SINK**

[75] Inventors: **Koenraad R. C. Vander Meulen**, Mechlin, Belgium; **Raymond J. Pohl**, Wilmington, Del.

[73] Assignee: **E. I. Du Pont de Nemours and Company**, Wilmington, Del.

[**] Term: **14 Years**

[21] Appl. No.: **238,098**

[22] Filed: **Aug. 30, 1988**

[52] U.S. Cl. **D23/290**

[58] Field of Search **4/553, 619, 627-656; 134/115; 312/228; D23/284-294, 308**

[56] **References Cited**

U.S. PATENT DOCUMENTS

2,889,559 6/1959 Lyon, Jr. 4/642

OTHER PUBLICATIONS

Domestic Engineering, Oct. 1986, p. 108 (1st FIG. in 2nd Column, 'Prestige' by Franke, Inc.).

Sweet's Catalog for Engineering & Retrofit, 1986, Section 15.7/JUS p. 2, (1st FIG. in First Column ODL-M-2233-A-GR-L).

Kohler Co., Form P-1205-188, pp. 4 & 15-17 & back cover (1988).

Luwa Corp. LV019/86 (1986).

Blanco 114/USA-CLB/7-88WD (1988).

Primary Examiner—James R. Largen

Attorney, Agent, or Firm—Richard H. Burgess

[57] CLAIM

The ornamental design for a double bowl sink, as shown and described.

DESCRIPTION

FIG. 1 is a perspective view taken from the top, right side and front of a double bowl sink showing my new design;

FIG. 2 is a top plan view thereof;

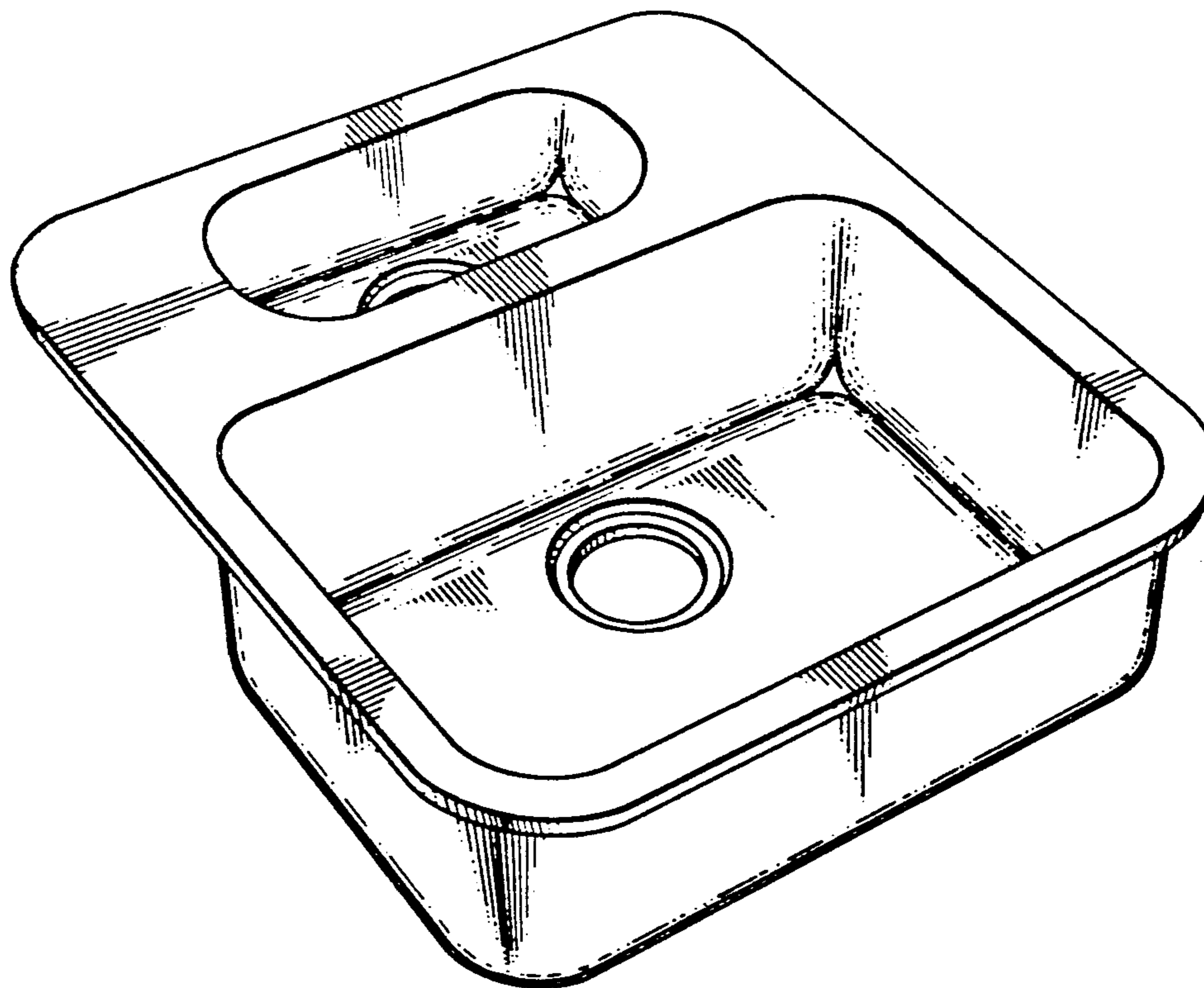
FIG. 3 is a cross sectional view taken along line 3—3 of FIG. 2;

FIG. 4 is a cross sectional view taken along line 4—4 of FIG. 2;

FIG. 5 is a cross sectional view taken along line 5—5 of FIG. 2; and,

FIG. 6 is another perspective view taken from the top, right side and front thereof.

The broken line showing of a counter top in FIG. 6 is for illustrative purposes only and forms no part of the claimed design.



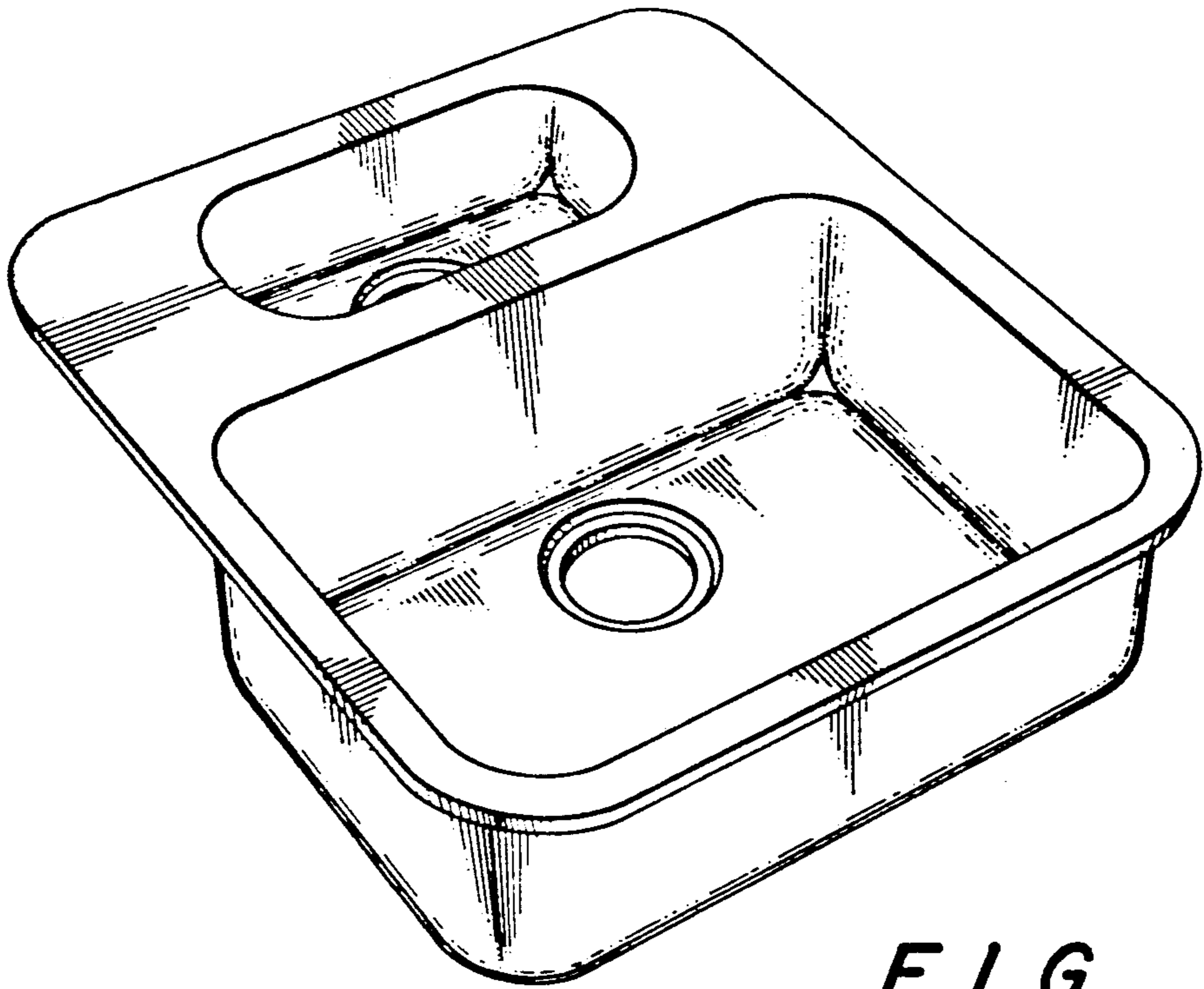


FIG. 1

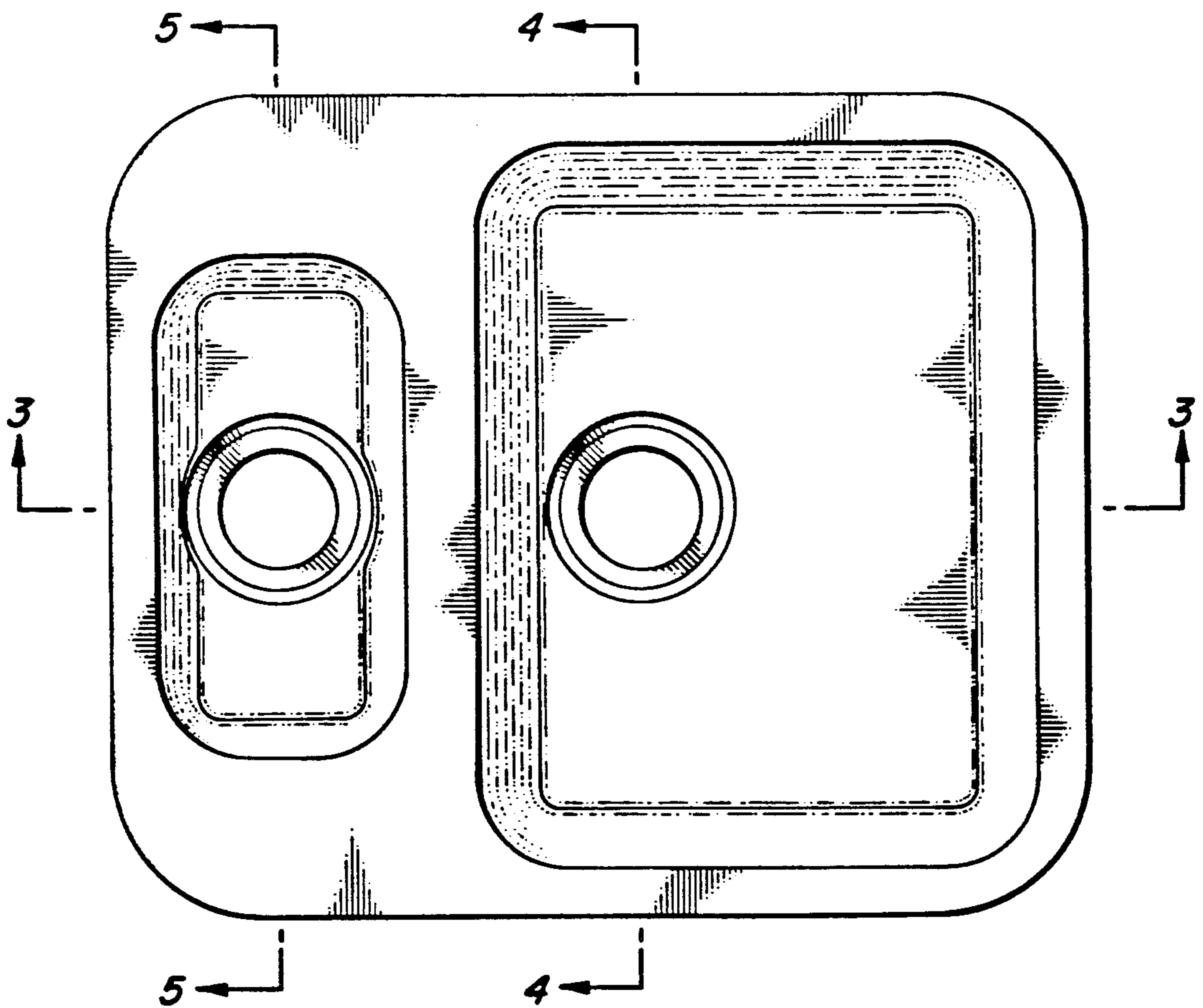


FIG. 2

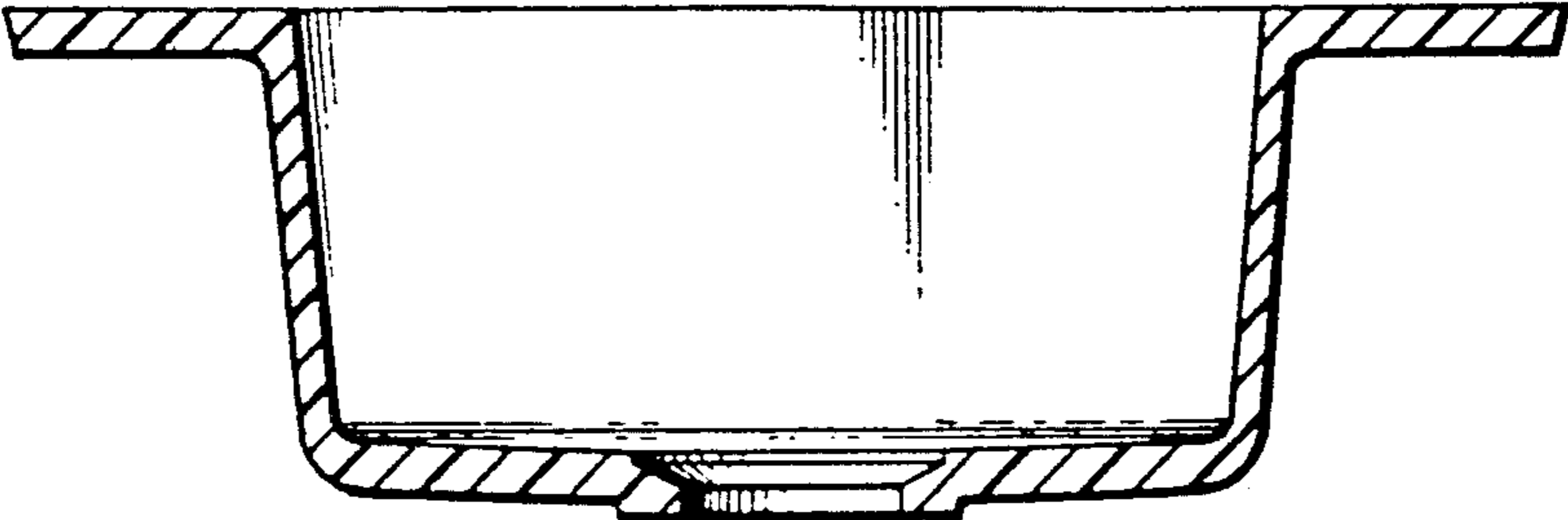


FIG. 5

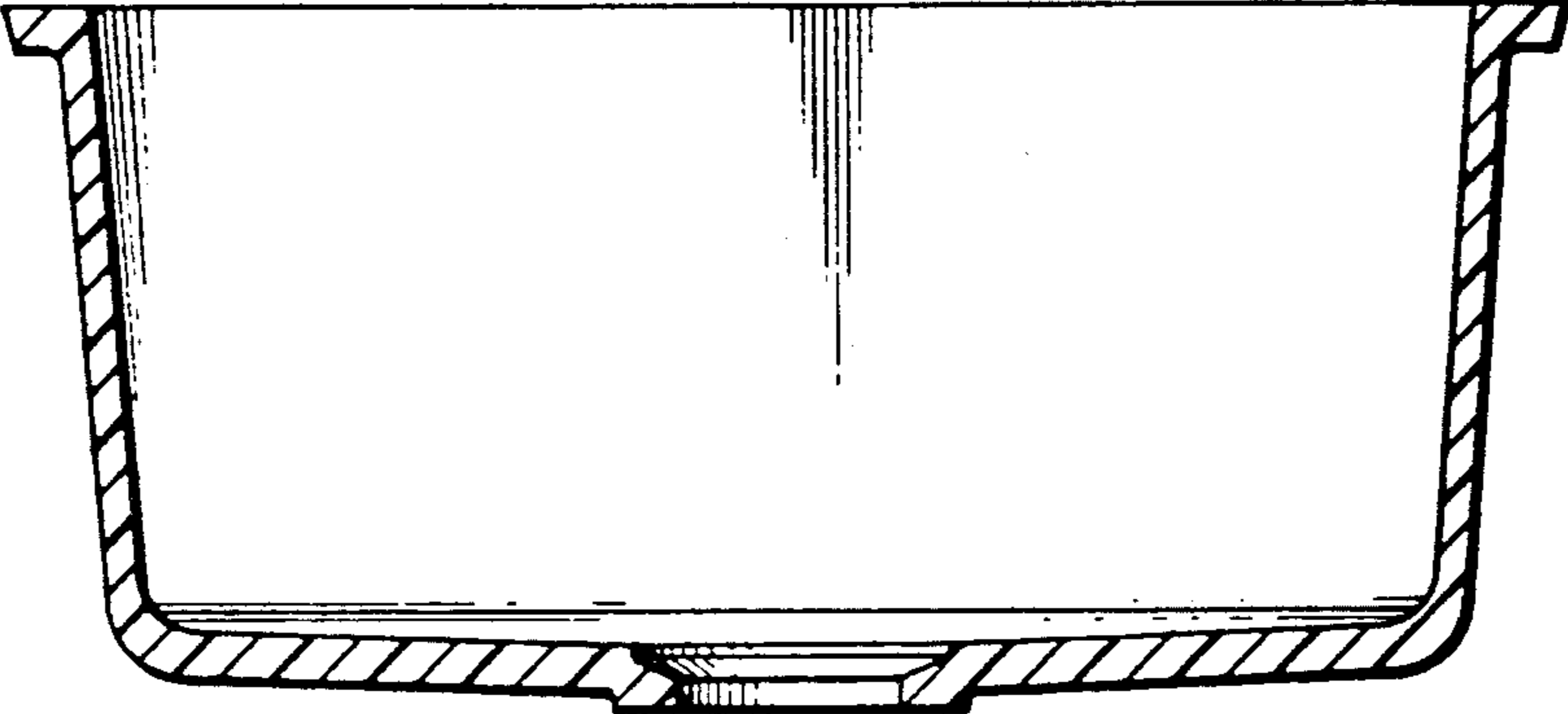


FIG. 4

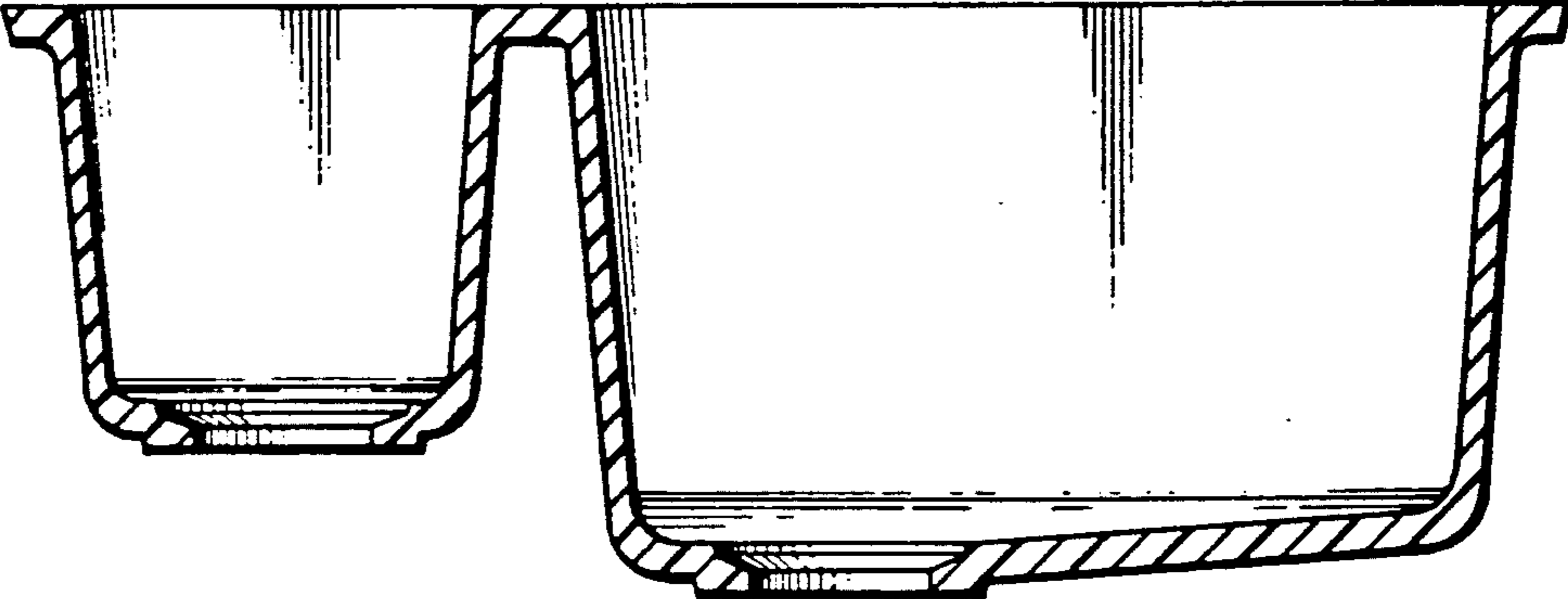


FIG. 3

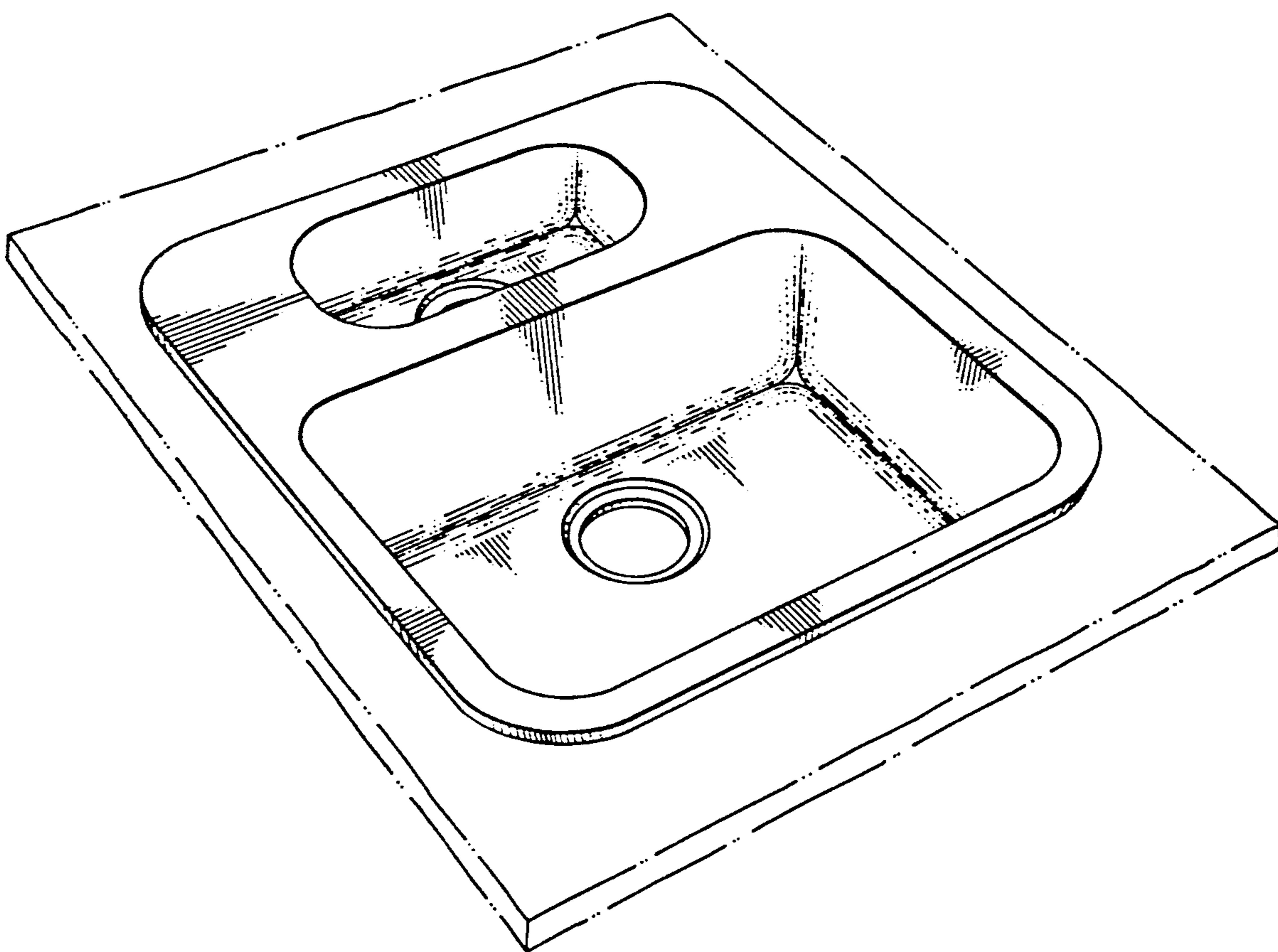


FIG. 6