



US00D328779S

United States Patent [19]

[11] Patent Number: **Des. 328,779**

Albers et al.

[45] Date of Patent: **** Aug. 18, 1992**

[54] **PAINT GUN SPRAYER**

4,239,157 12/1980 Farth 239/288.5

[76] Inventors: **Terry A. Albers**, 22 Chicory Bend Ct., Sacramento, Calif. 95831; **Chin H. Hsu**, No. 11 An Ho Road, Lane 41, 3rd Fl., Taipei, Taiwan

Primary Examiner—Susan J. Lucas
Assistant Examiner—M. H. Tung
Attorney, Agent, or Firm—Joseph E. Gerber

[**] Term: **14 Years**

[57] **CLAIM**

The ornamental design for a paint gun sprayer, as shown.

[21] Appl. No.: **692,031**

[22] Filed: **Apr. 25, 1991**

DESCRIPTION

[52] U.S. Cl. **D23/225**

FIG. 1 is a perspective view of a paint gun sprayer showing our new design;

[58] Field of Search **D23/213, 223-227;**

FIG. 2 is a bottom plan view thereof;

239/301, 332, 373, 394, 414-415, 525-528, 532,

FIG. 3 is a top plan view thereof;

554, 556

FIG. 4 is a front elevational view thereof;

[56] **References Cited**

U.S. PATENT DOCUMENTS

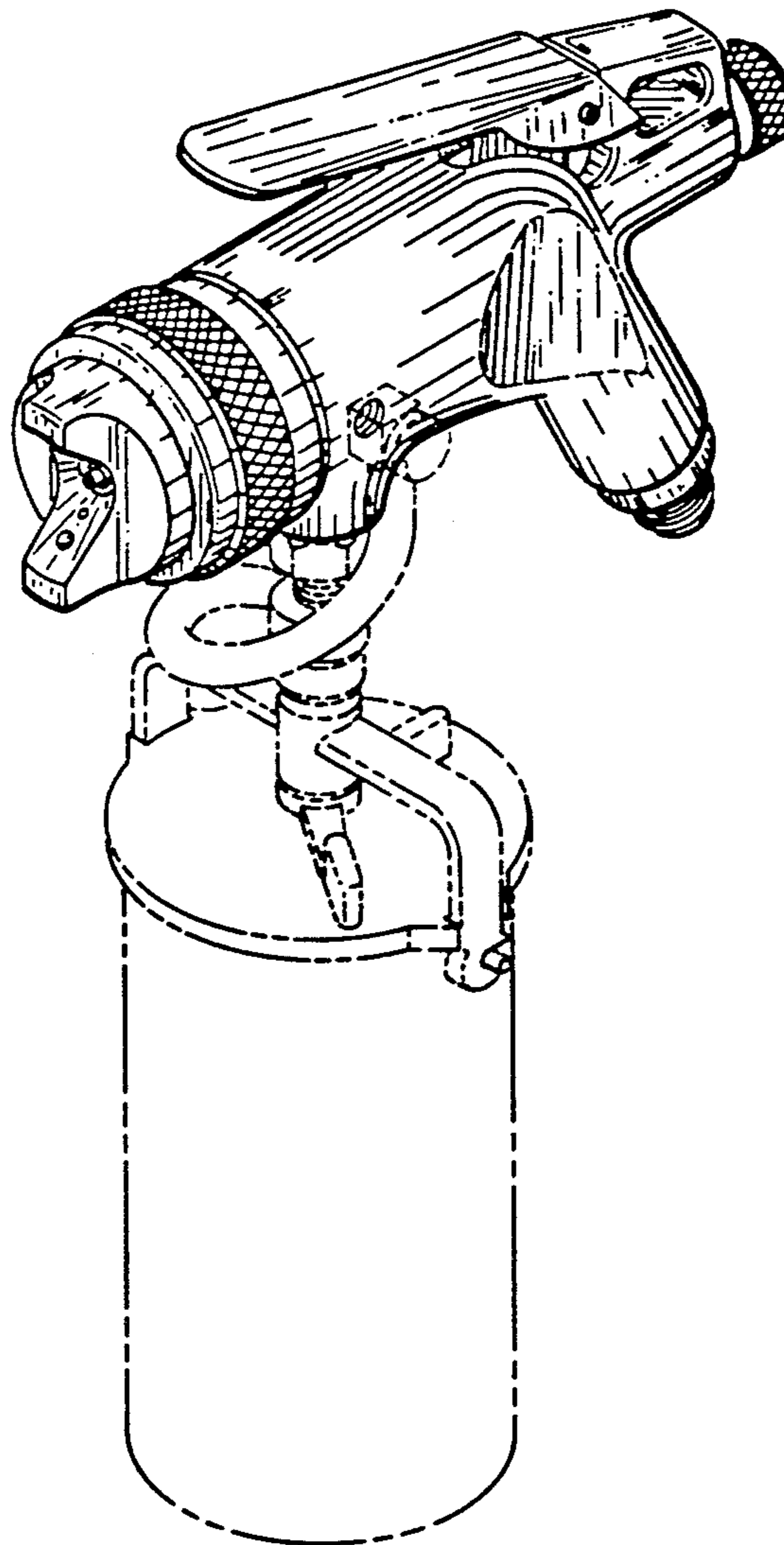
- D. 211,172 5/1968 Johnson D23/225
- D. 305,057 12/1989 Morgan D23/226
- D. 313,270 12/1990 Lin D23/226
- 3,381,845 5/1968 MacDonald D23/225 X

FIG. 5 is a rear elevational view thereof;

FIG. 6 is a right side elevational view thereof; and,

FIG. 7 is a left side elevational view thereof.

The broken line drawing of a paint can in FIG. 1 is for illustrative purposes only and forms no part of the claimed design.



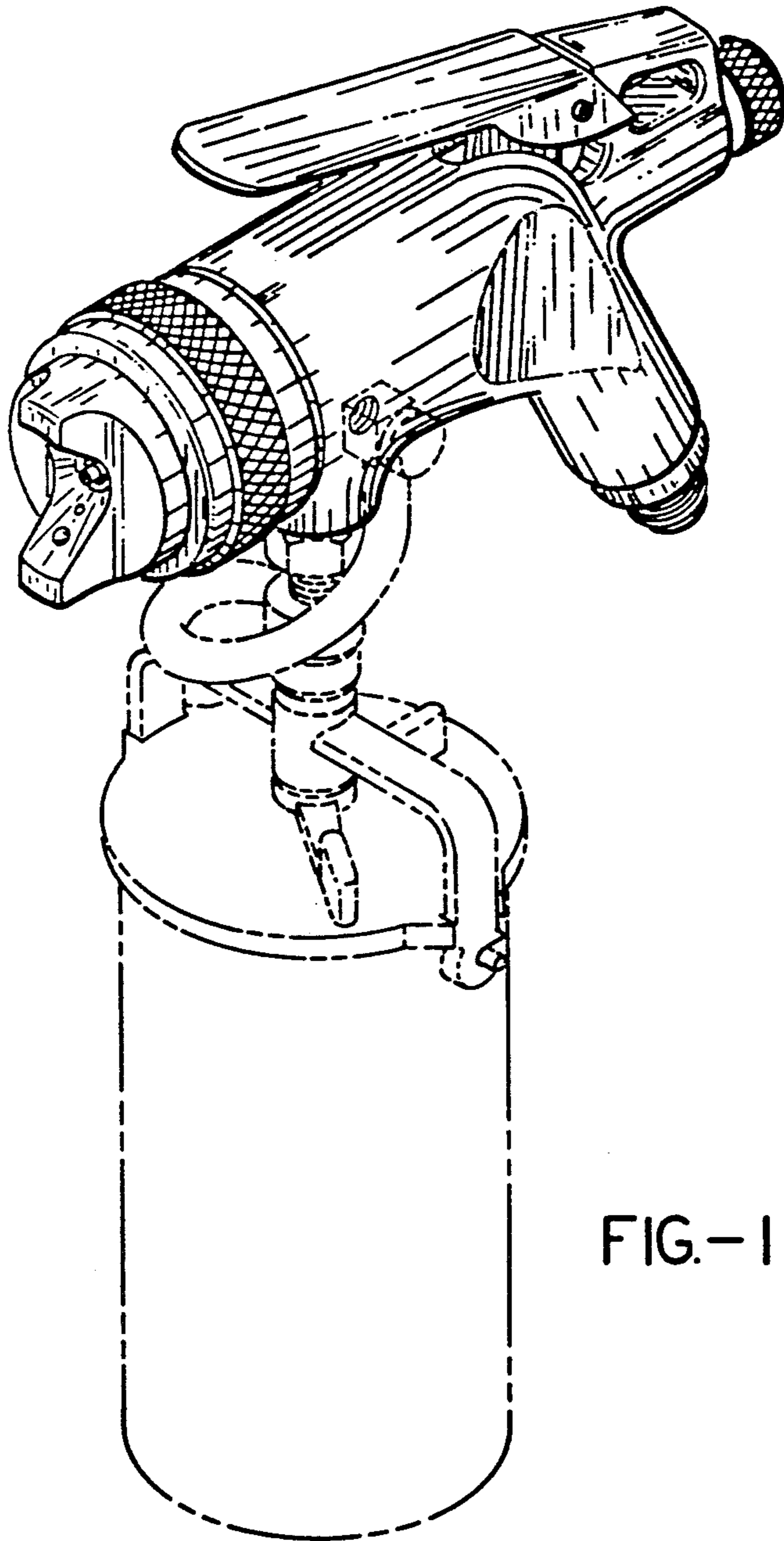


FIG.-1

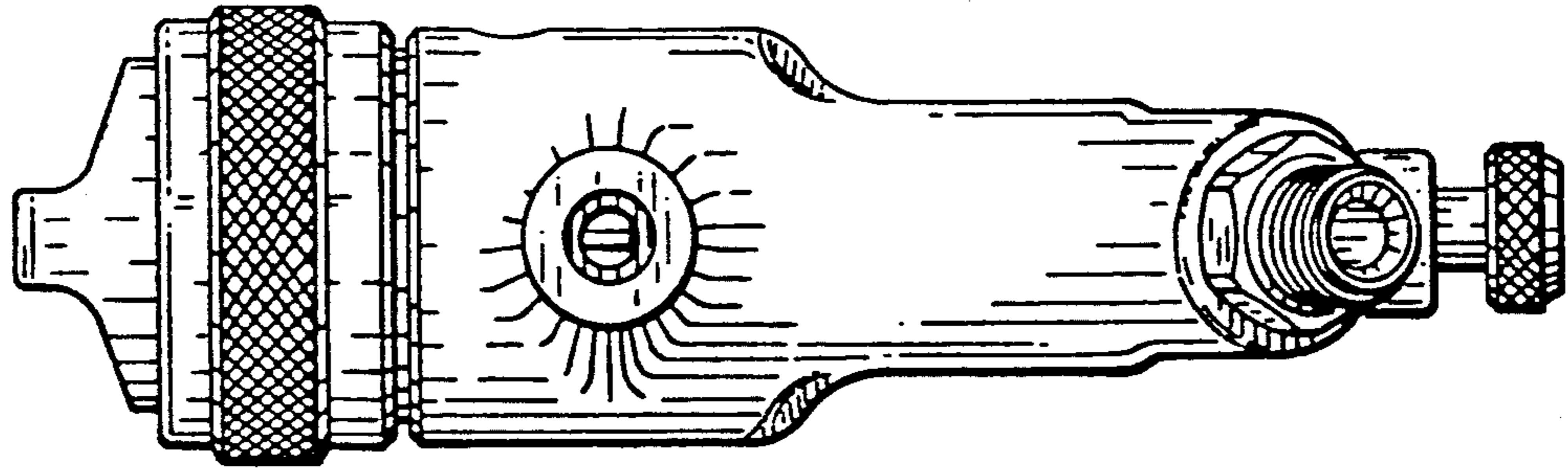


FIG. - 2

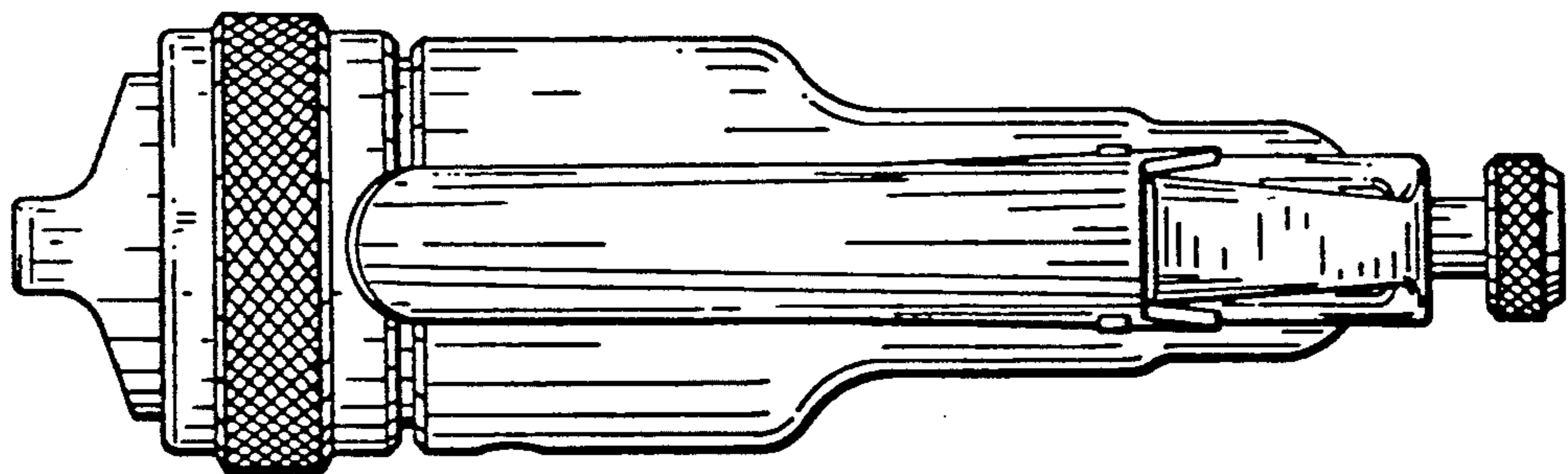


FIG. - 3

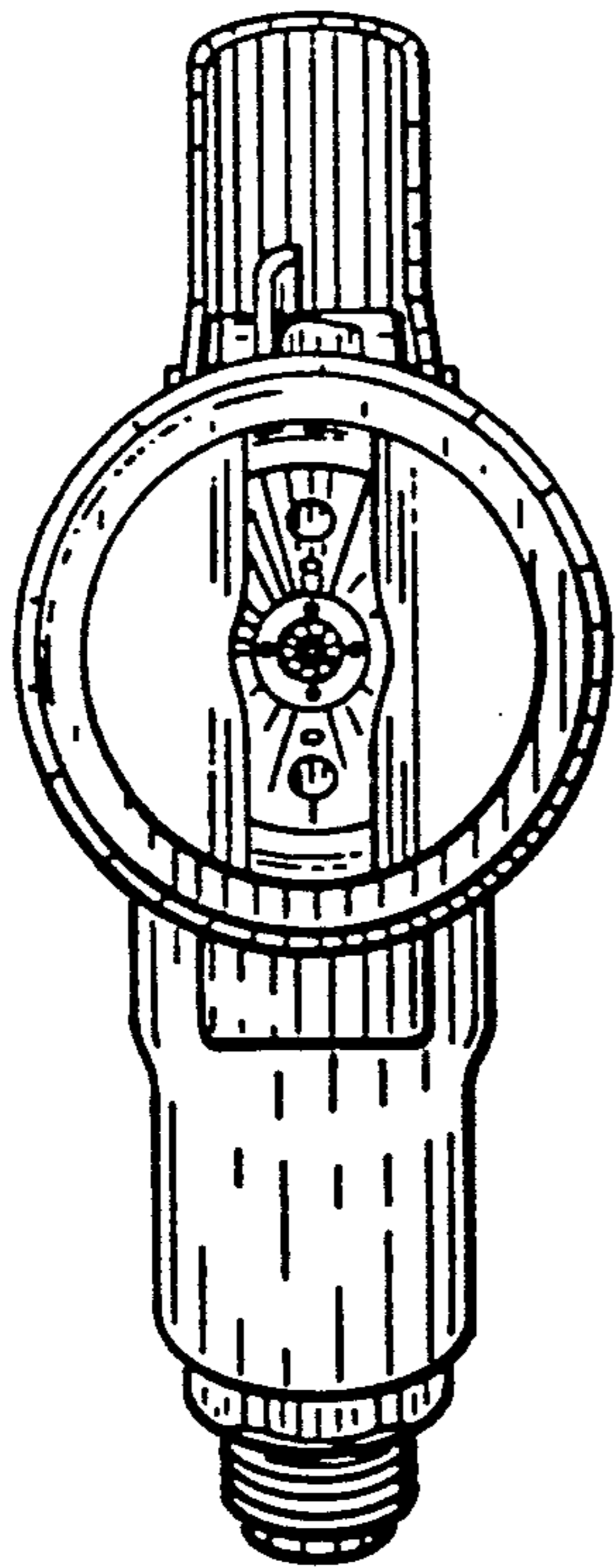


FIG. - 4

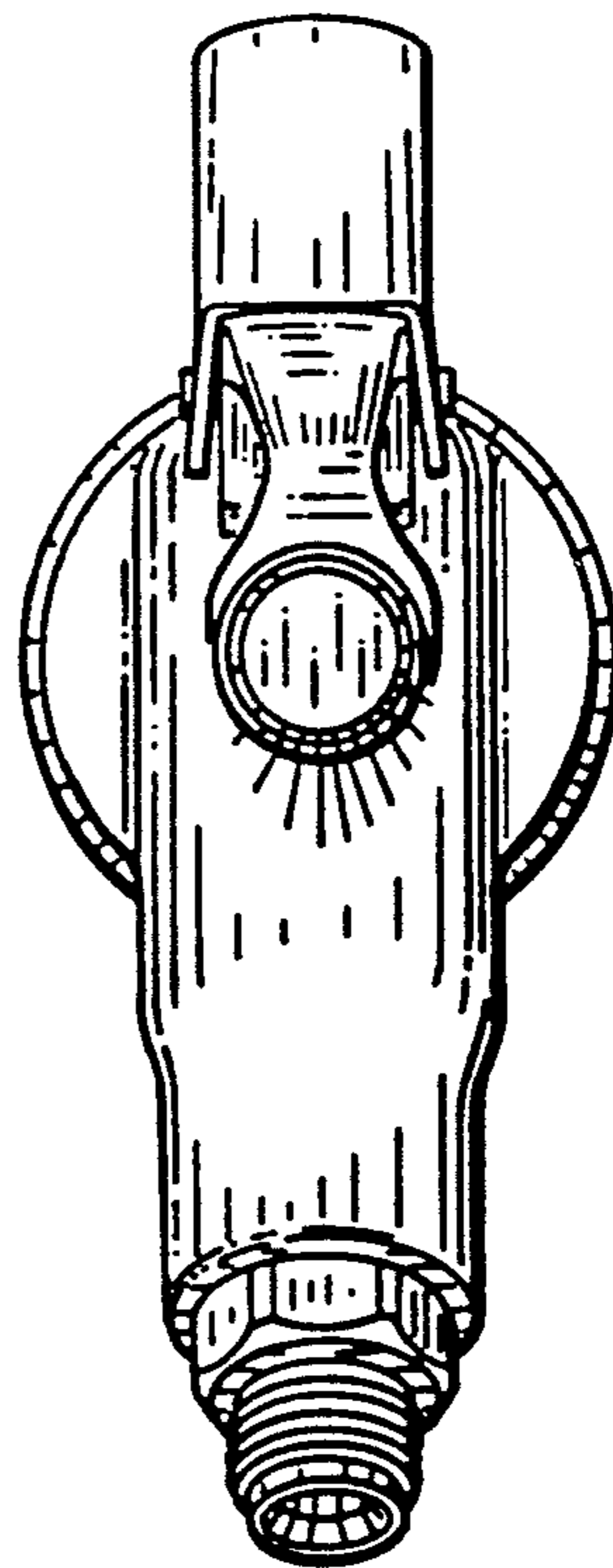


FIG. - 5

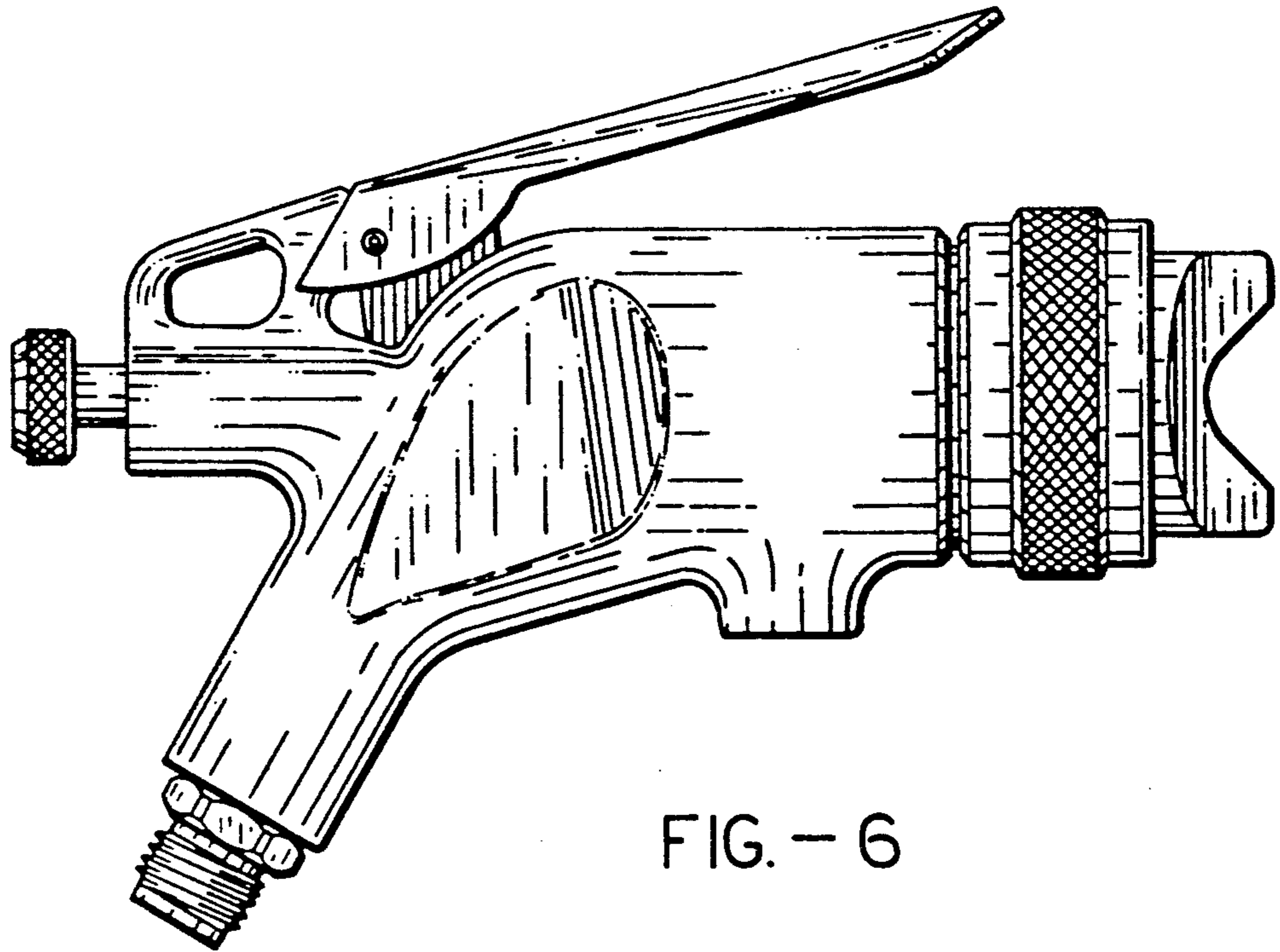


FIG. - 6

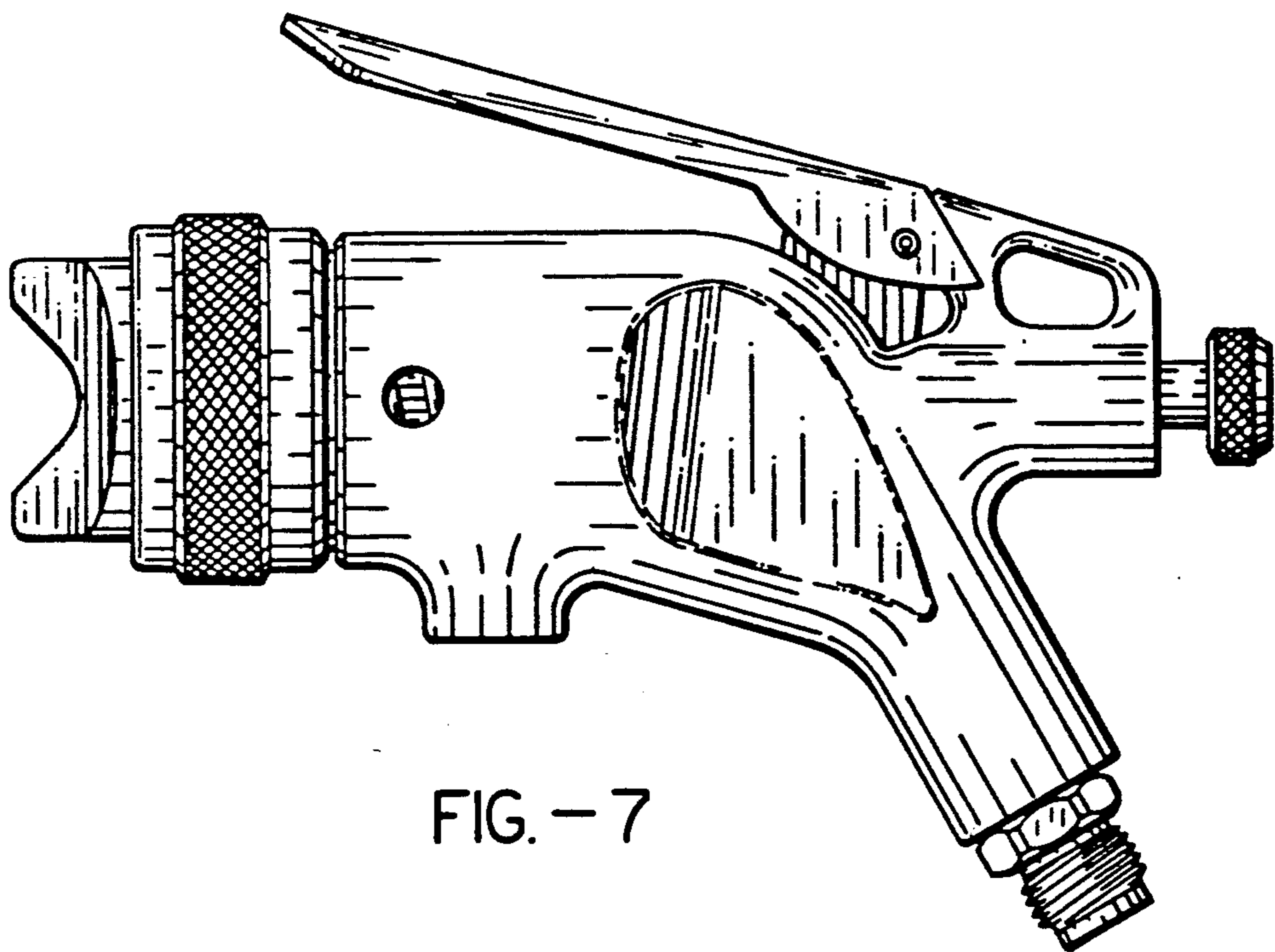


FIG. - 7