



US00D328778S

United States Patent [19]

Gefter et al.

[11] Patent Number: **Des. 328,778**

[45] Date of Patent: **** Aug. 18, 1992**

[54] POOL CLEANER LEAF TRAP

[75] Inventors: **Alexander A. Gefter, San Francisco; Kenneth N. Marshall, Novato, both of Calif.**

[73] Assignee: **Arneson Products, Inc., Fairfield, Calif.**

[**] Term: **14 Years**

[21] Appl. No.: **588,668**

[22] Filed: **Sep. 26, 1990**

[52] U.S. Cl. **D23/210**

[58] Field of Search **D32/1, 25, 30-32; 210/321.6, 322, 323.1, 323.2, 332, 342; D23/209, 210**

[56] **References Cited**

U.S. PATENT DOCUMENTS

D. 143,545	1/1946	Pond et al.	D23/209
D. 202,147	8/1965	Peters	D23/209
D. 229,309	11/1973	Reiner	D23/209
3,688,908	9/1972	Myers et al.	D23/210
4,454,035	6/1984	Stefan	D23/210

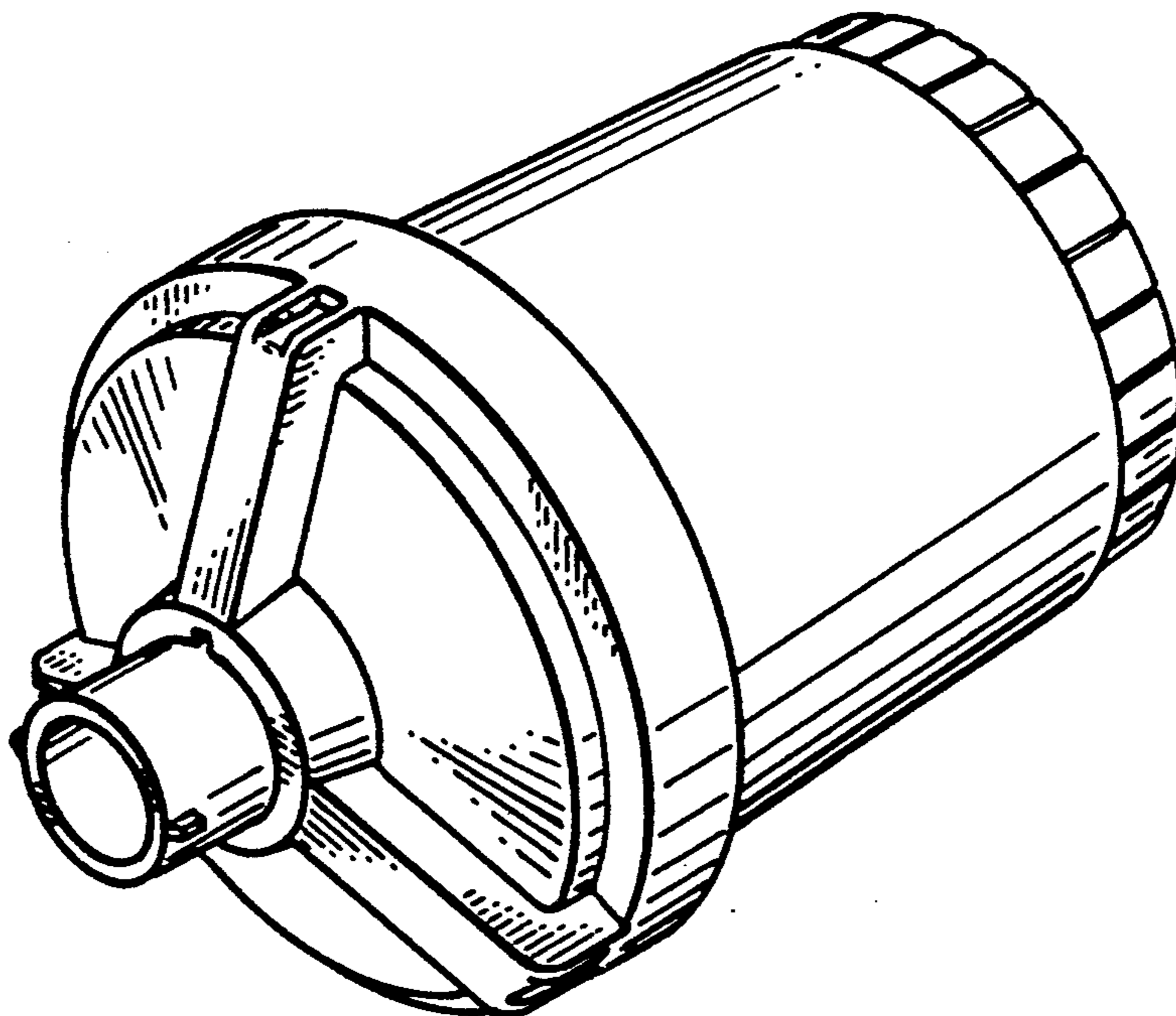
Primary Examiner—A. Hugo Word
Assistant Examiner—Ruth McInroy
Attorney, Agent, or Firm—Limbach & Limbach

[57] CLAIM

The ornamental design for a pool cleaner leaf trap, as shown and described.

DESCRIPTION

FIG. 1 is a perspective view of a pool cleaner leaf trap showing our new design;
FIG. 2 is a left-end elevational view thereof;
FIG. 3 is a right-end elevational view thereof;
FIG. 4 is a side elevational view thereof; and,
FIG. 5 is another side elevational view thereof.



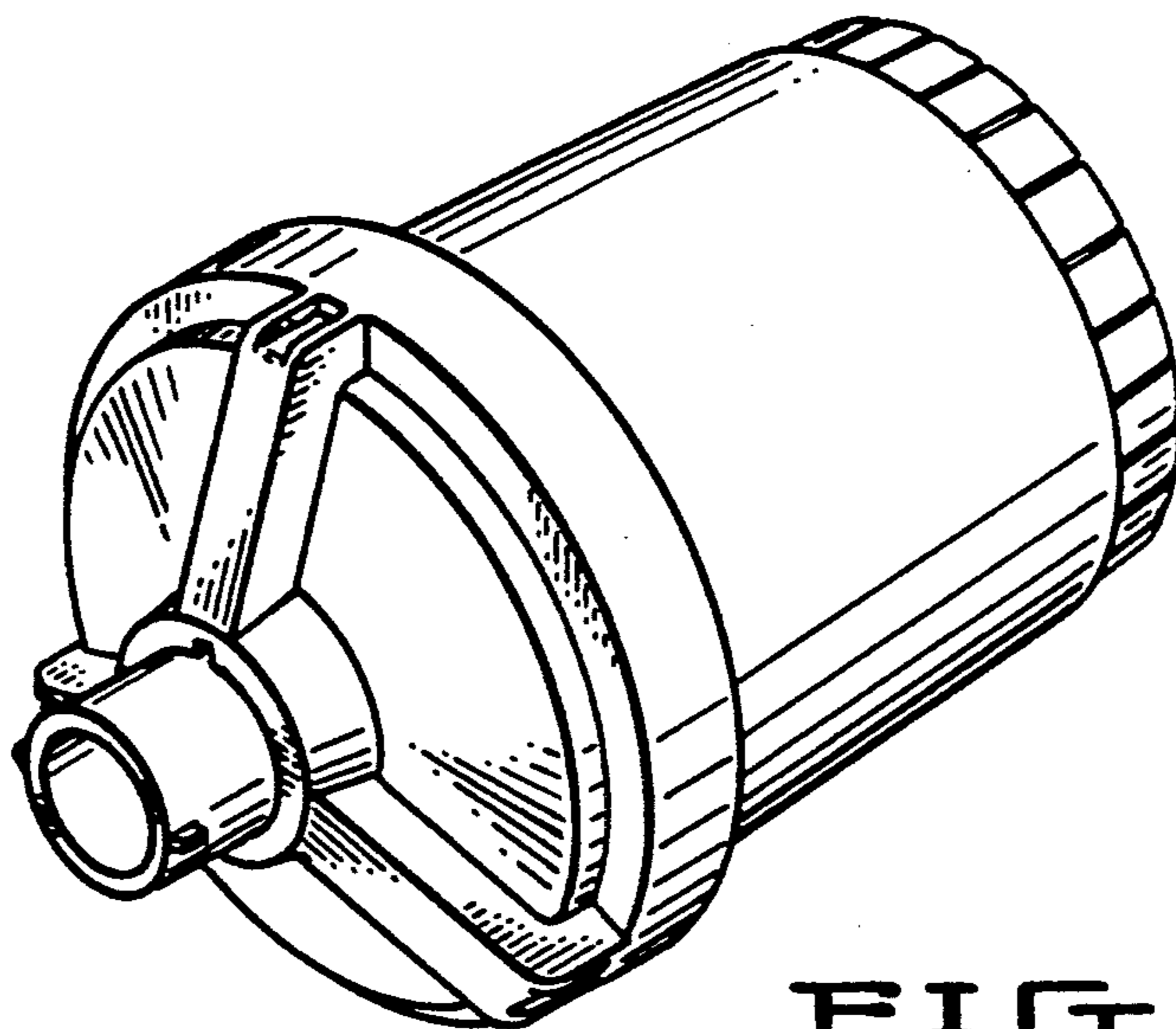


FIG. 1.

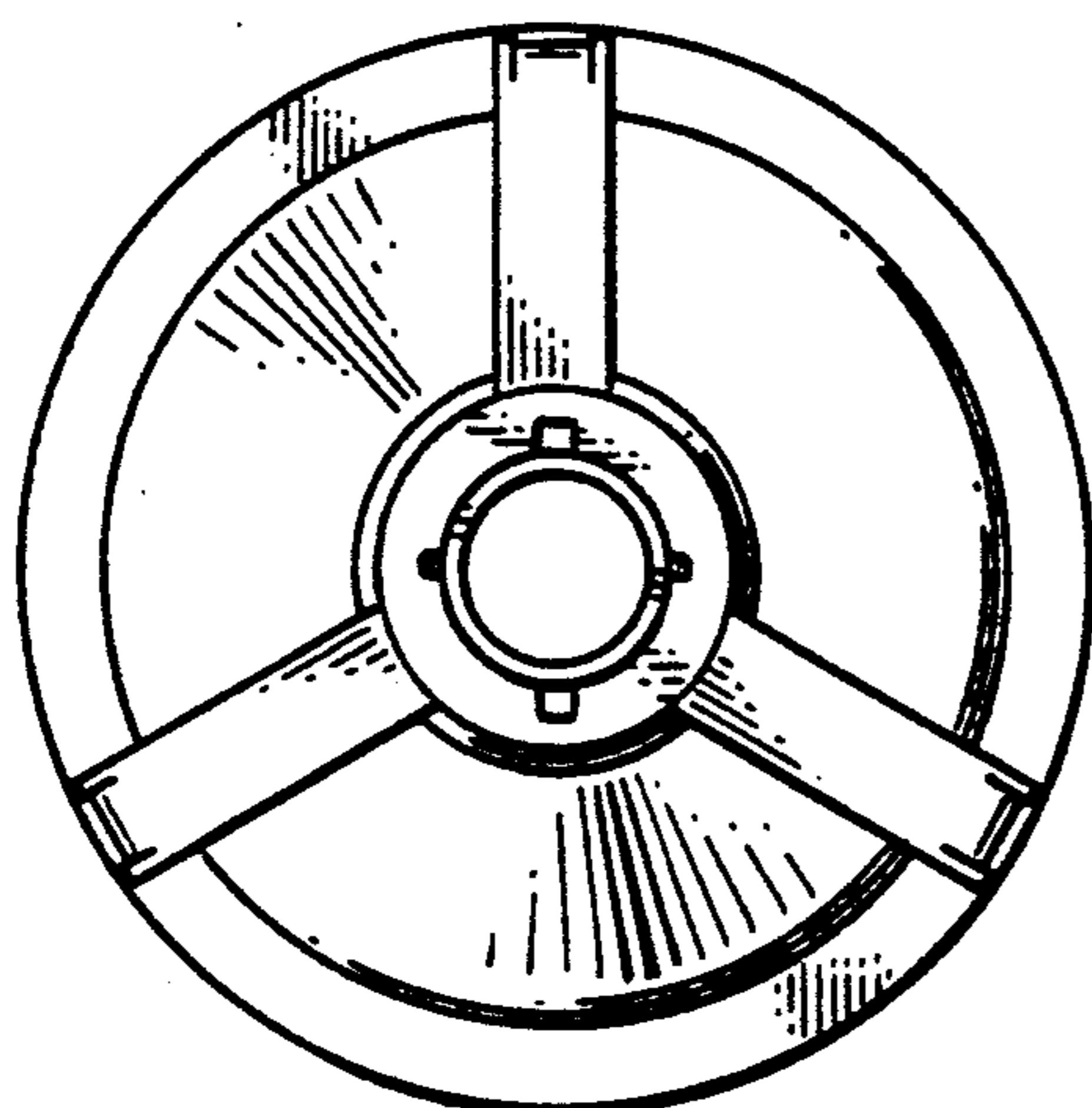


FIG. 2.

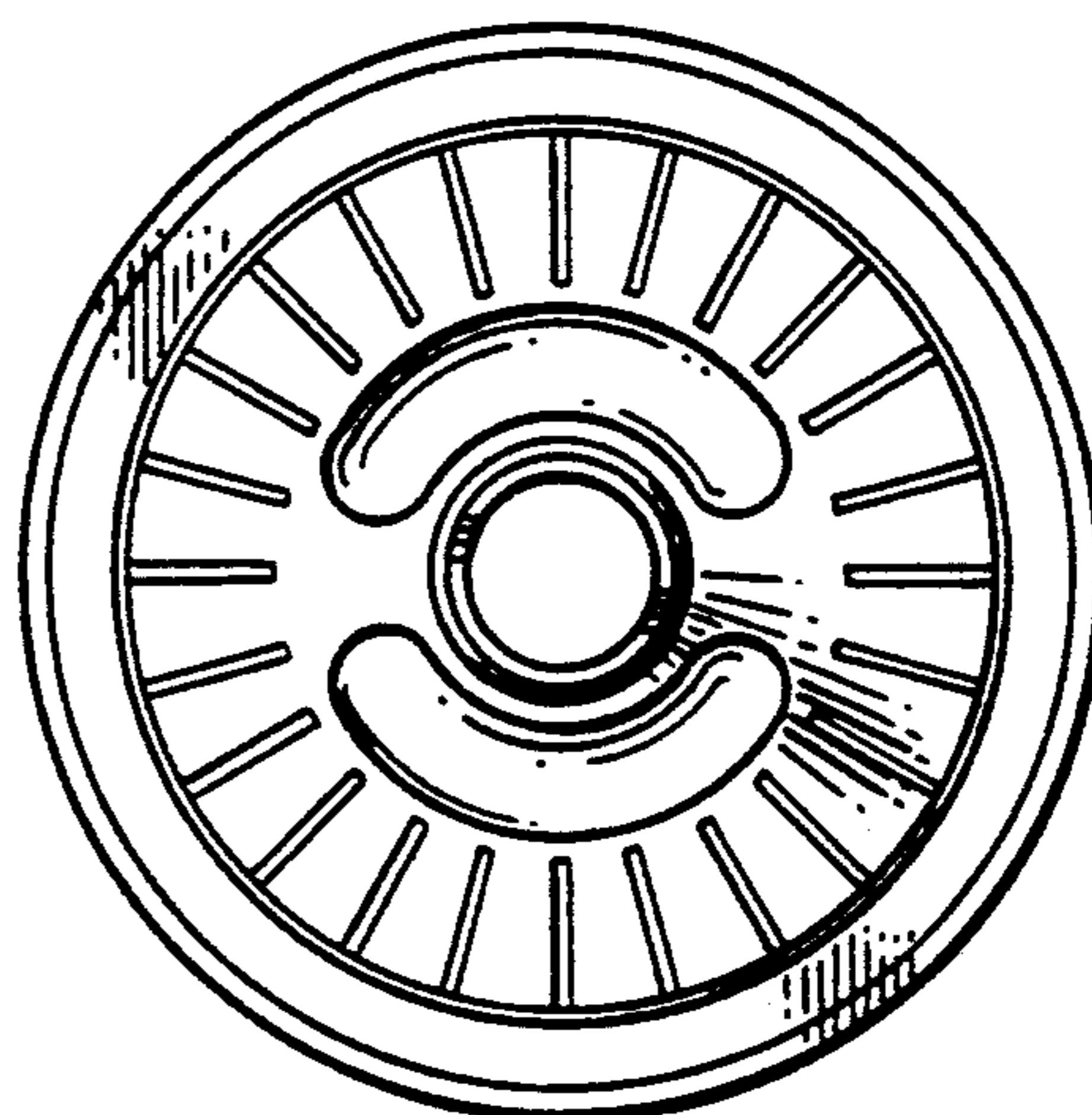


FIG. 3.

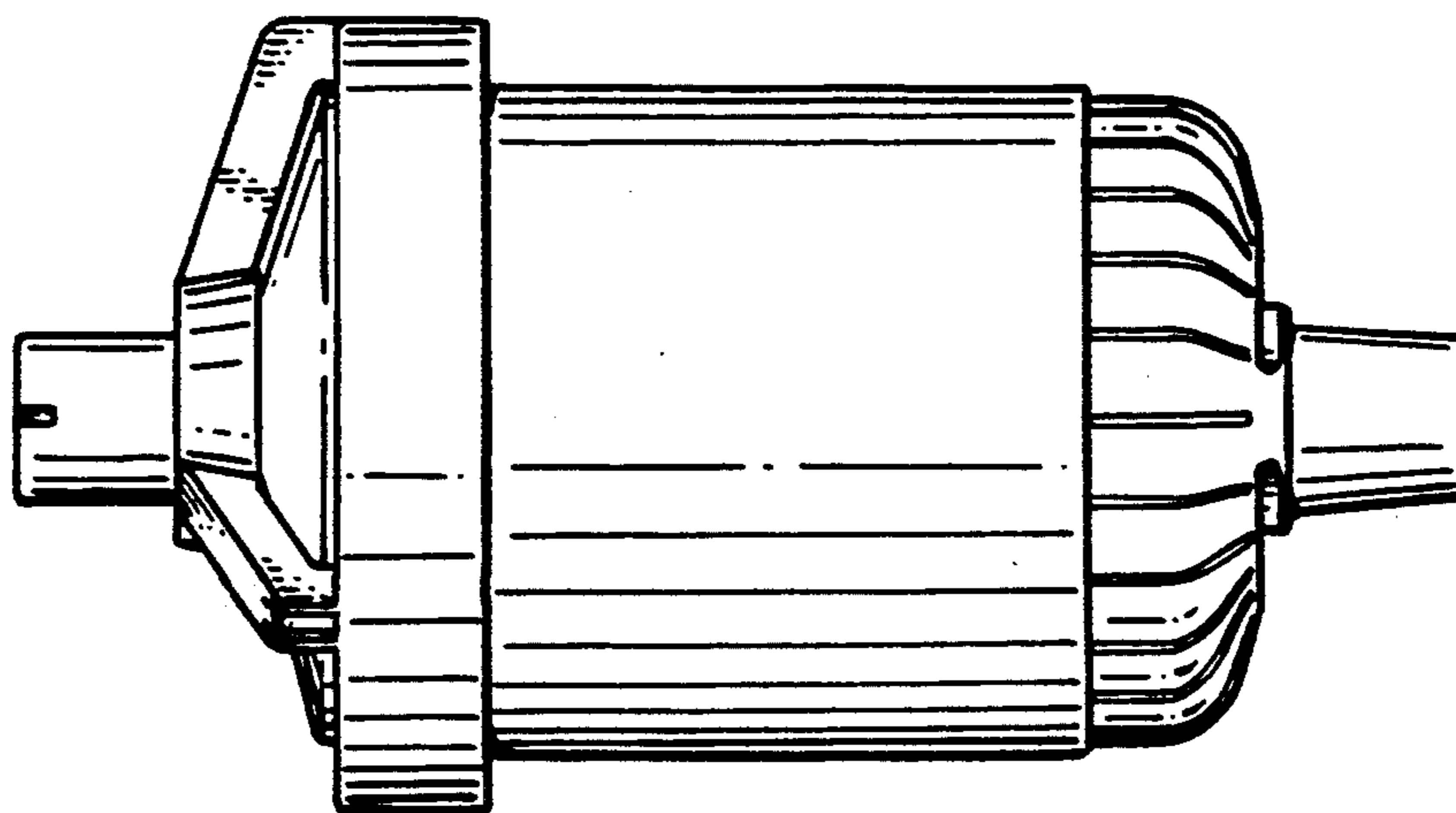


FIG. 4.

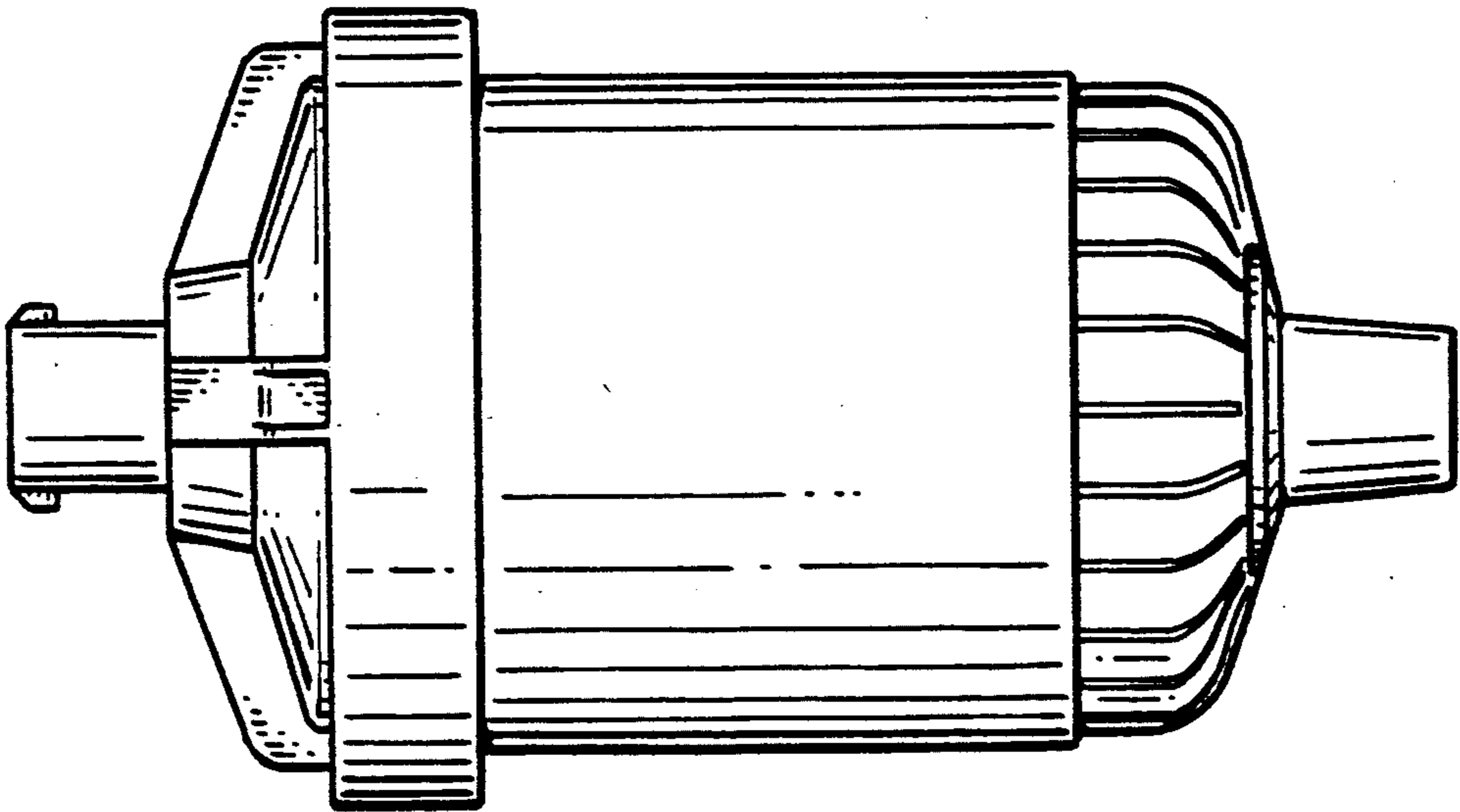


FIG. 5.