



US00D328775S

# United States Patent [19]

[11] Patent Number: **Des. 328,775**

Galante

[45] Date of Patent: \*\* Aug. 18, 1992

[54] ANGLER'S BUCKET

[57] CLAIM

[76] Inventor: Carl J. Galante, 1837 Dixie Beach Blvd., Sanibel, Fla. 33957

The ornamental design for an angler's bucket, as shown and described.

[\*\*] Term: 14 Years

### DESCRIPTION

[21] Appl. No.: 341,066

FIG. 1 is a front perspective view of an angler's bucket showing my new design;  
 FIG. 2 is a top plan view thereof;  
 FIG. 3 is a bottom plan view thereof;  
 FIG. 4 is a front perspective plan view of a second embodiment;  
 FIG. 5 is a top plan view thereof;  
 FIG. 6 is a bottom plan view thereof;  
 FIG. 7 is a front perspective plan view of a third embodiment;  
 FIG. 8 is a top plan view thereof;  
 FIG. 9 is a bottom plan view thereof;  
 FIG. 10 is a front perspective plan view of a fourth embodiment;  
 FIG. 11 is a top plan view thereof;  
 FIG. 12 is a bottom plan view thereof;  
 FIG. 13 is a front perspective plan view of a fifth embodiment;  
 FIG. 14 is a top plan view thereof;  
 FIG. 15 is a bottom plan view thereof;  
 FIG. 16 is a front elevational view of the embodiments of FIGS. 1, 4, 7, 10 and 13, the rear elevational view being substantially similar with the exception of the position of the handle; and  
 FIG. 17 is a side elevational view of the embodiments of FIGS. 1, 4, 7, 10, and 13, the opposite side elevational view being a mirror image thereof.

[22] Filed: Apr. 20, 1989

[52] U.S. Cl. .... D22/136

[58] Field of Search ..... D22/136, 134; 206/315.11; 43/54.1, 55, 56, 57

### [56] References Cited

#### U.S. PATENT DOCUMENTS

D. 235,205	5/1975	Schwartz et al. ....	D22/136
1,709,424	4/1929	Zohe .....	43/56
3,006,106	10/1961	Shuler .....	43/55
3,217,444	11/1965	Howard .....	D22/136 X
3,517,453	6/1970	De Croes .....	43/55
4,677,785	7/1987	Lambourn .....	D22/136 X
4,756,412	7/1988	Graves et al. ....	43/54.1 X
4,887,380	12/1989	Andrews .....	43/56

#### OTHER PUBLICATIONS

Old Pal Fishing Equipment, p. 1.  
Old Pal Minnow Bucket.

Primary Examiner—A. Hugo Word  
Assistant Examiner—Doris V. Coles  
Attorney, Agent, or Firm—Richard C. Litman

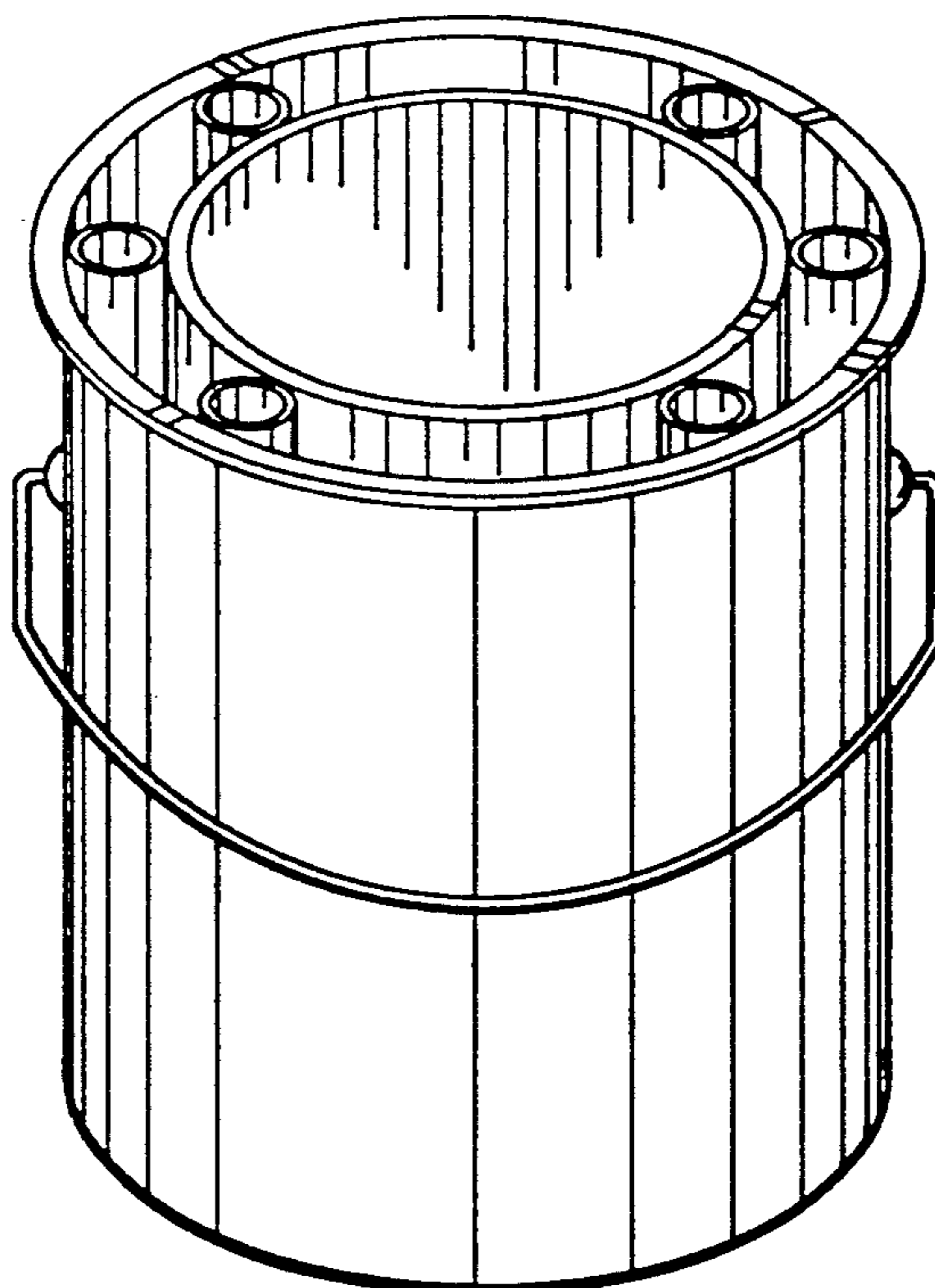


FIG. 1

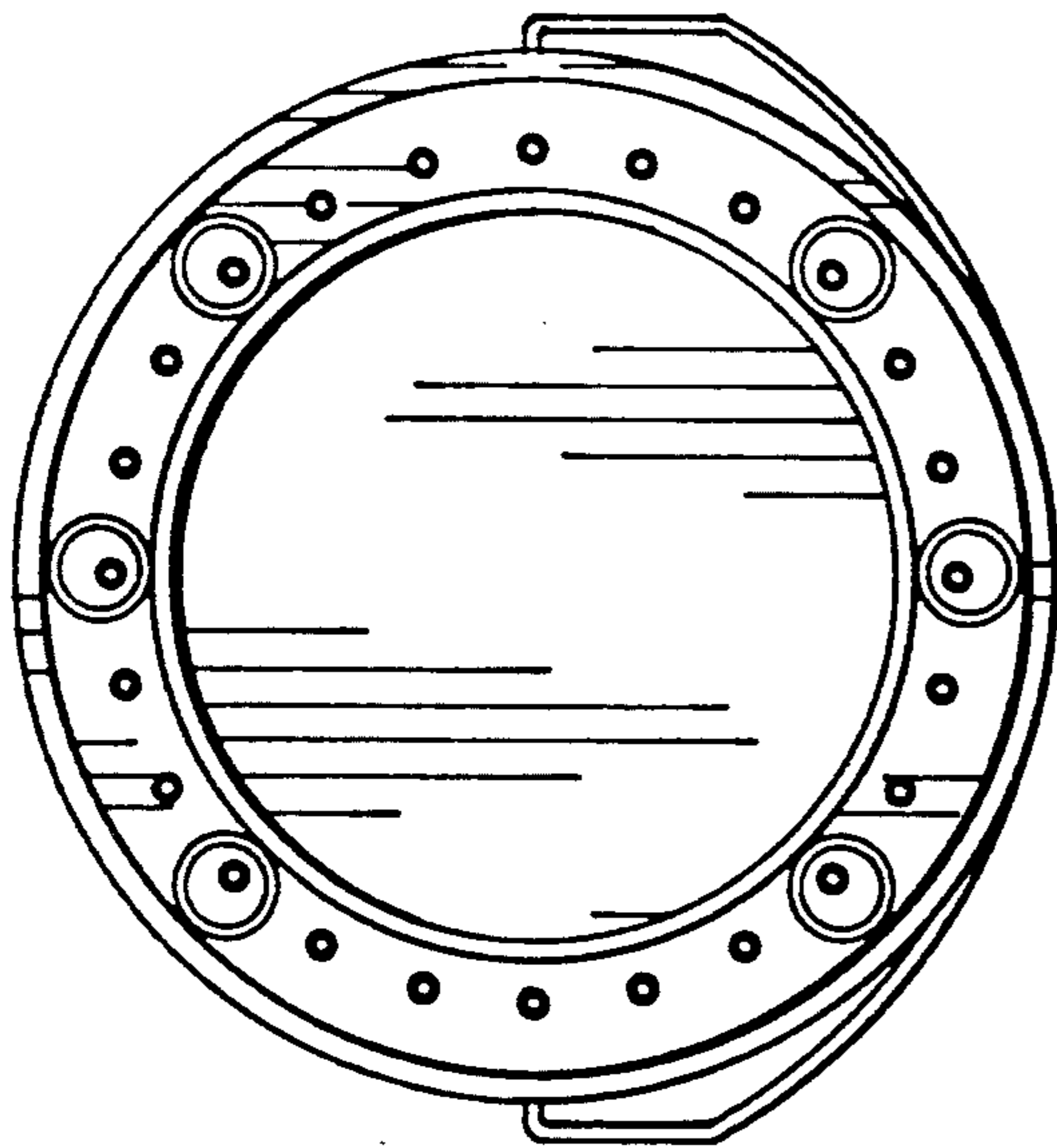
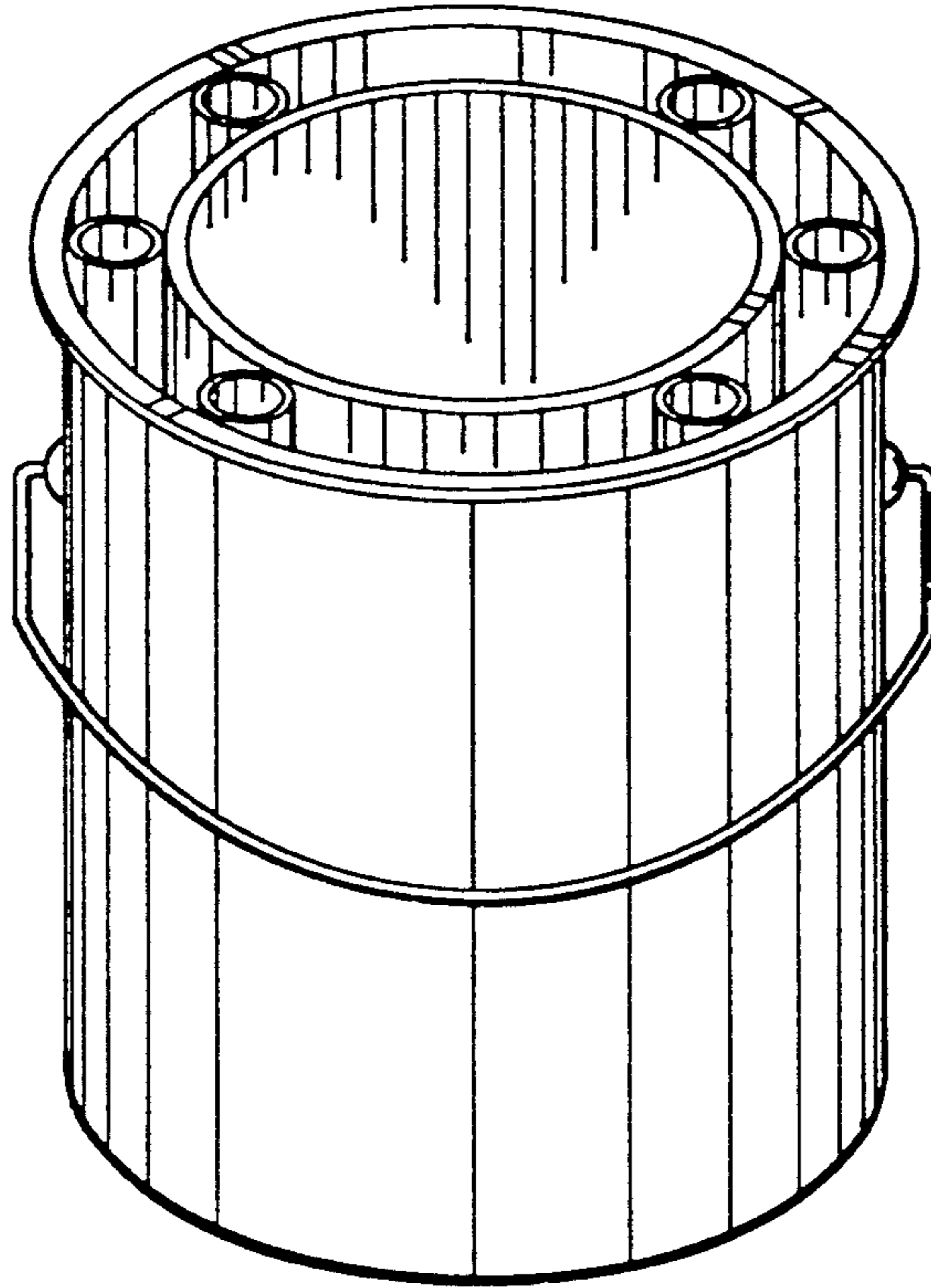


FIG. 2

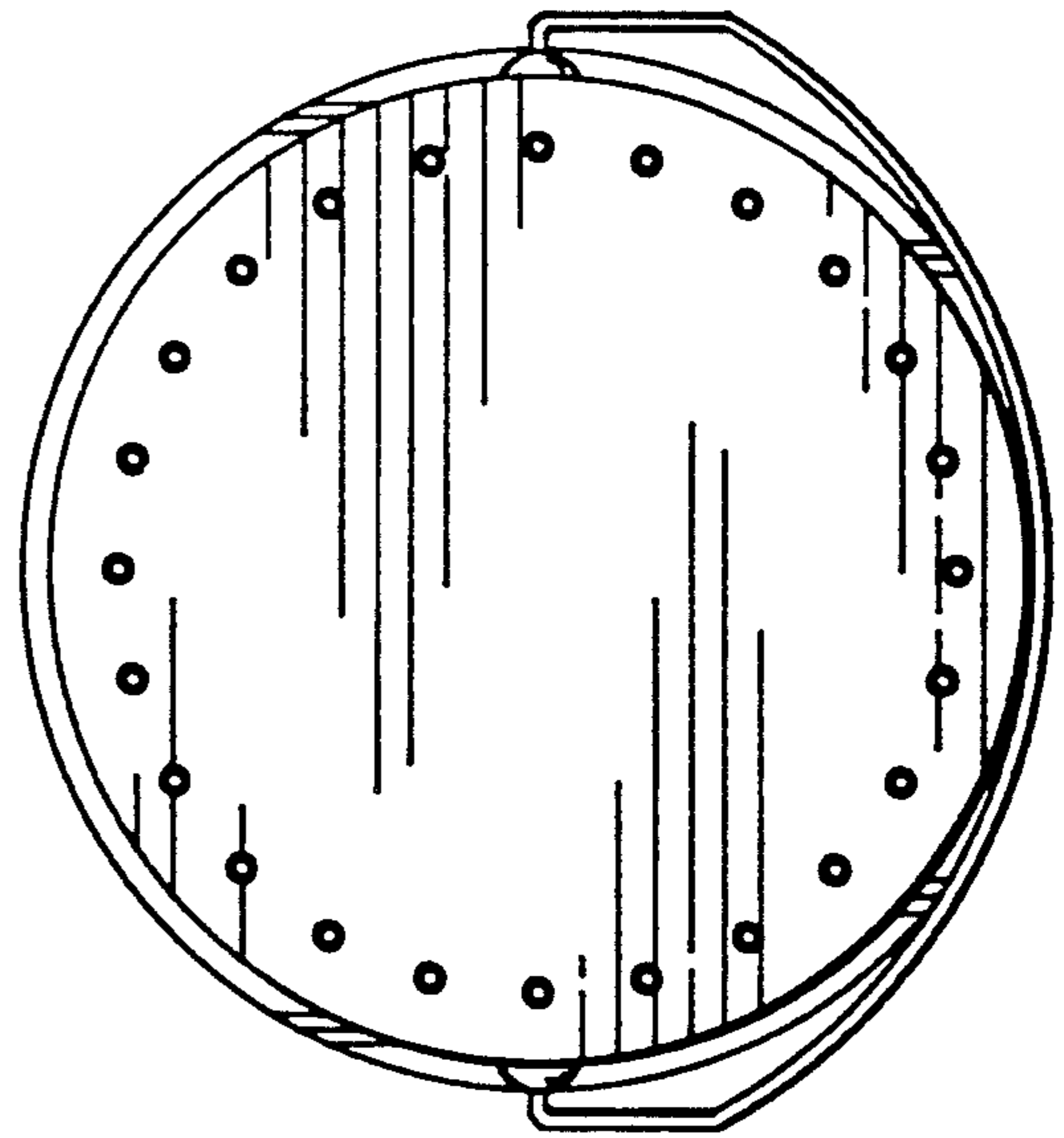


FIG. 3

FIG. 4

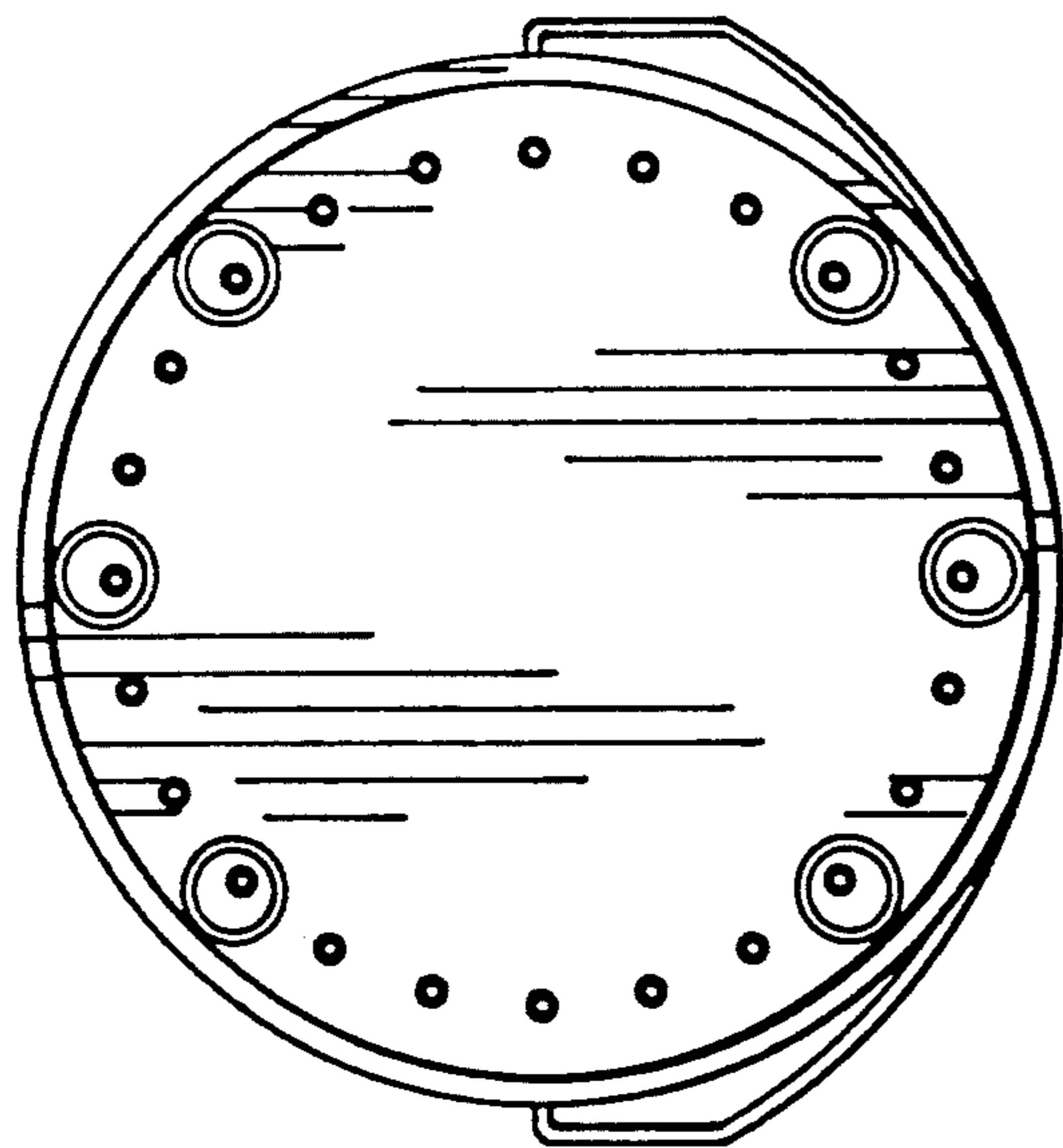
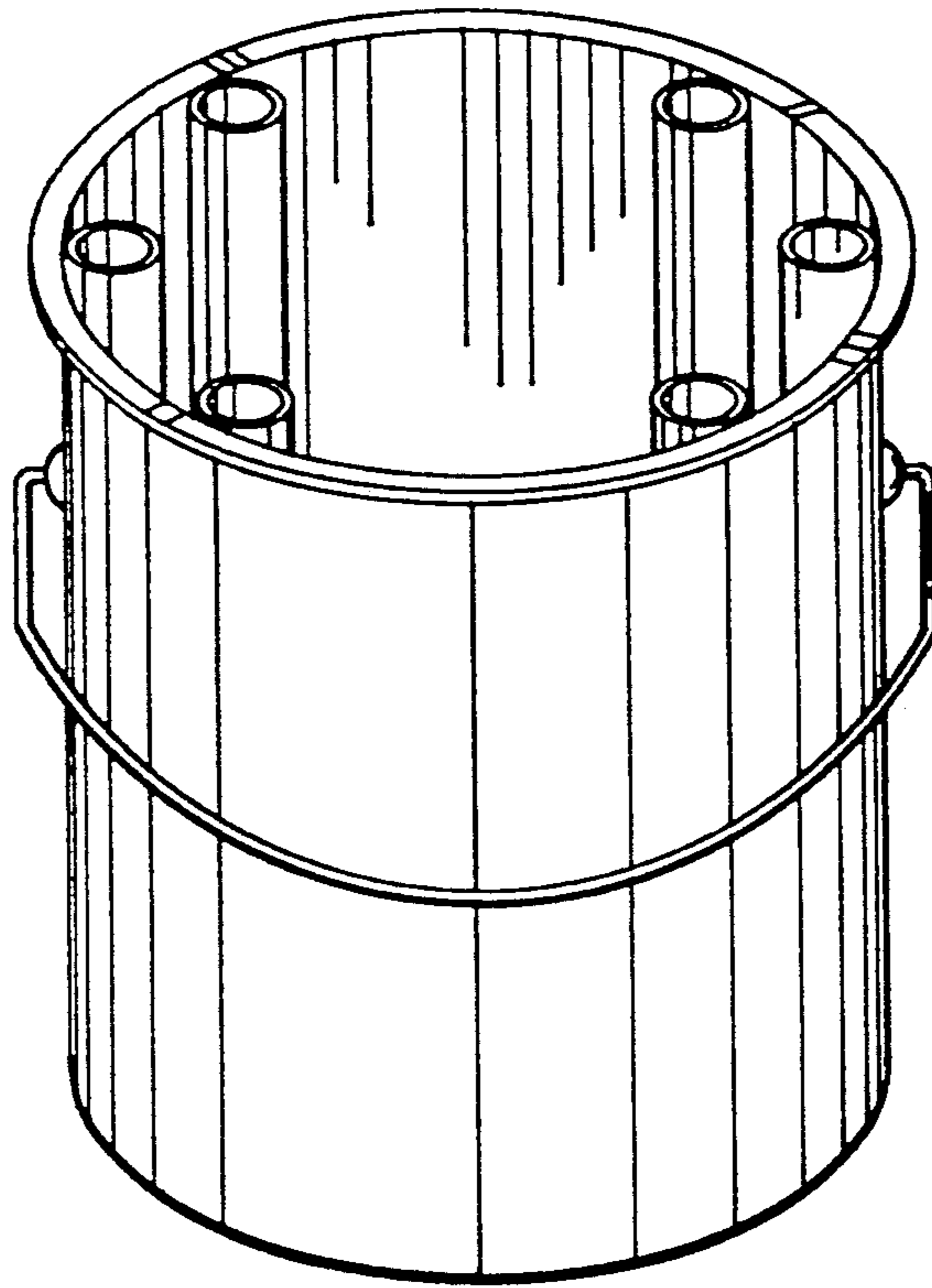


FIG. 5

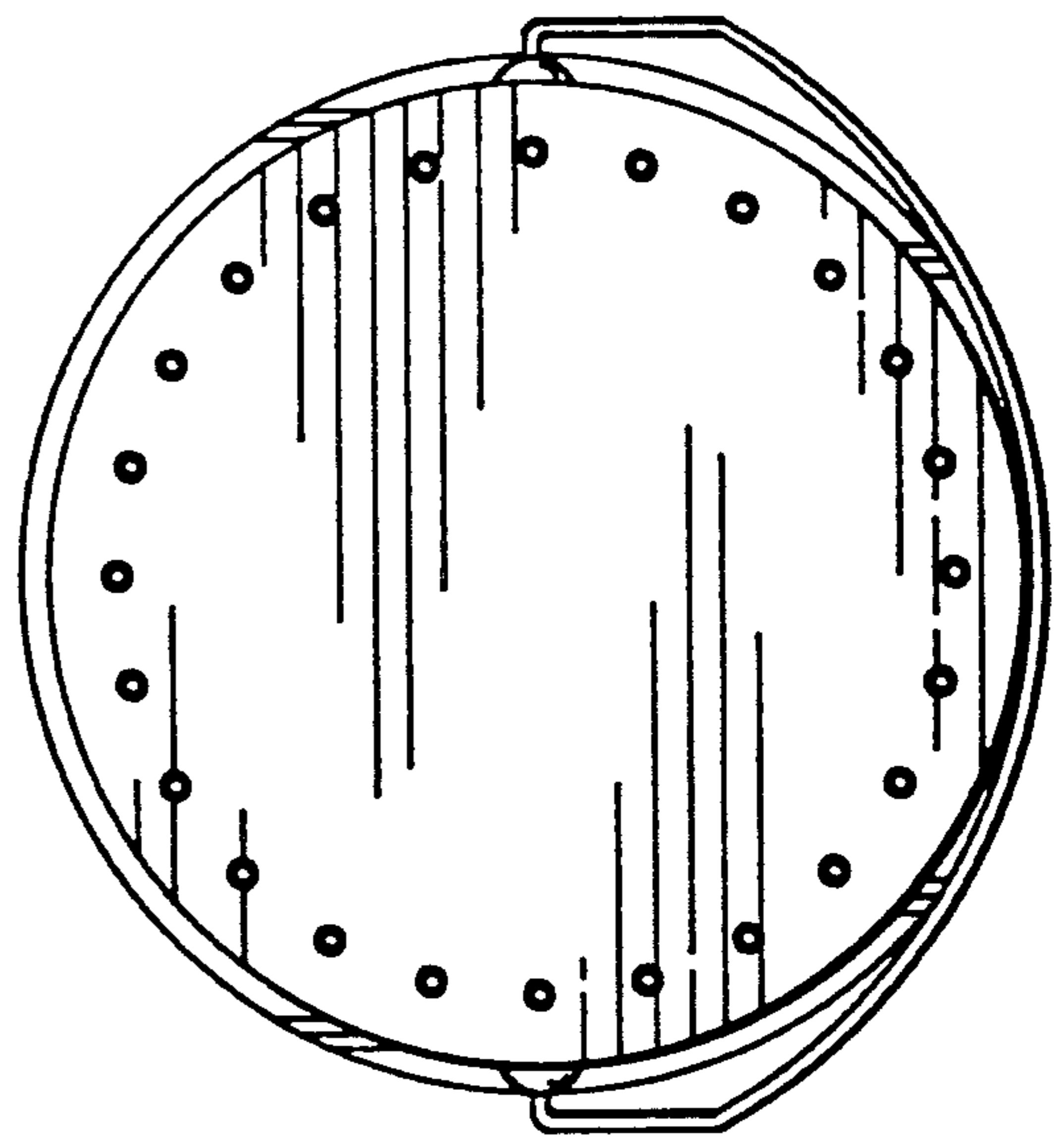


FIG. 6



FIG. 7

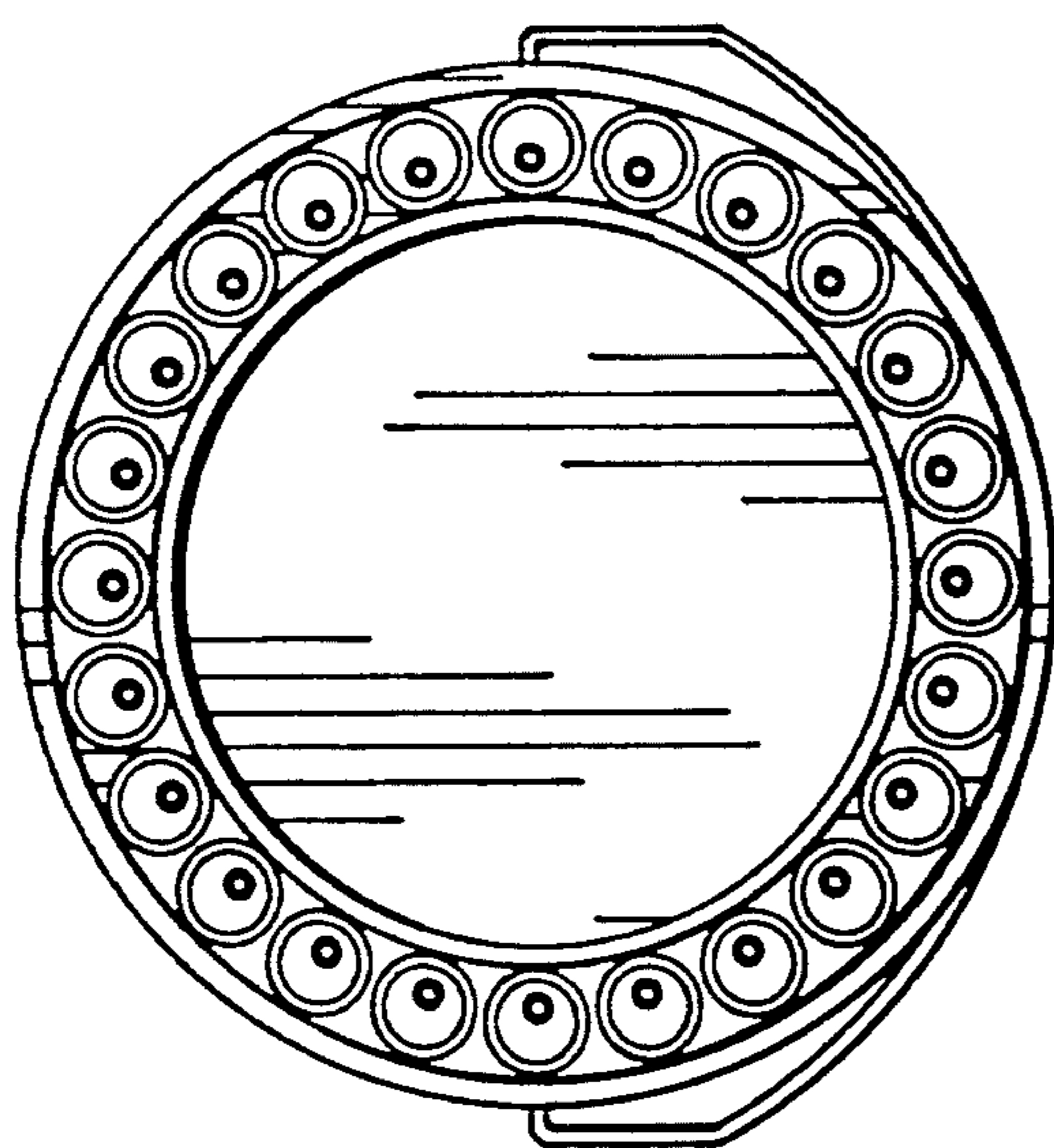
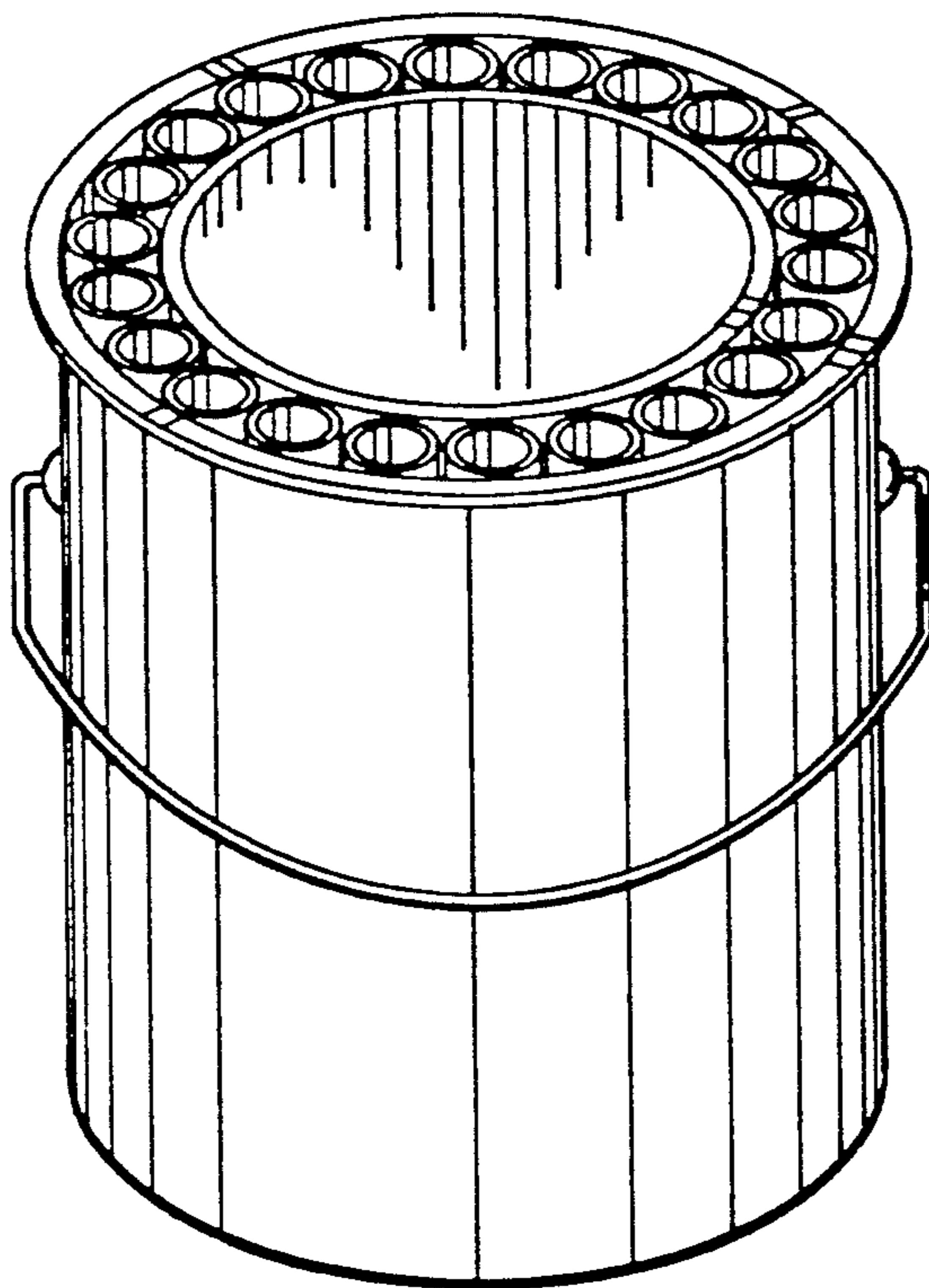


FIG. 8

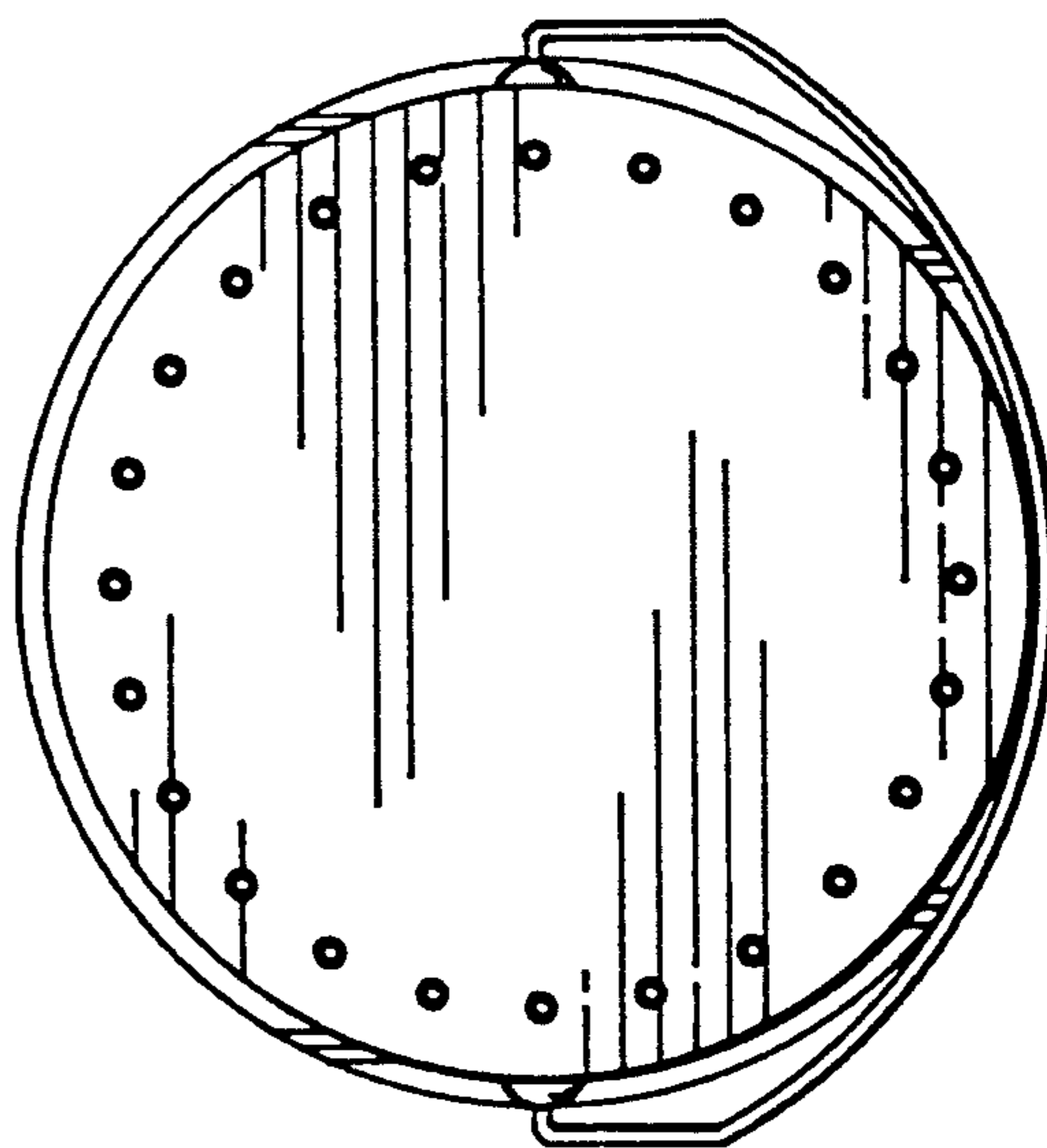


FIG. 9

FIG. 10

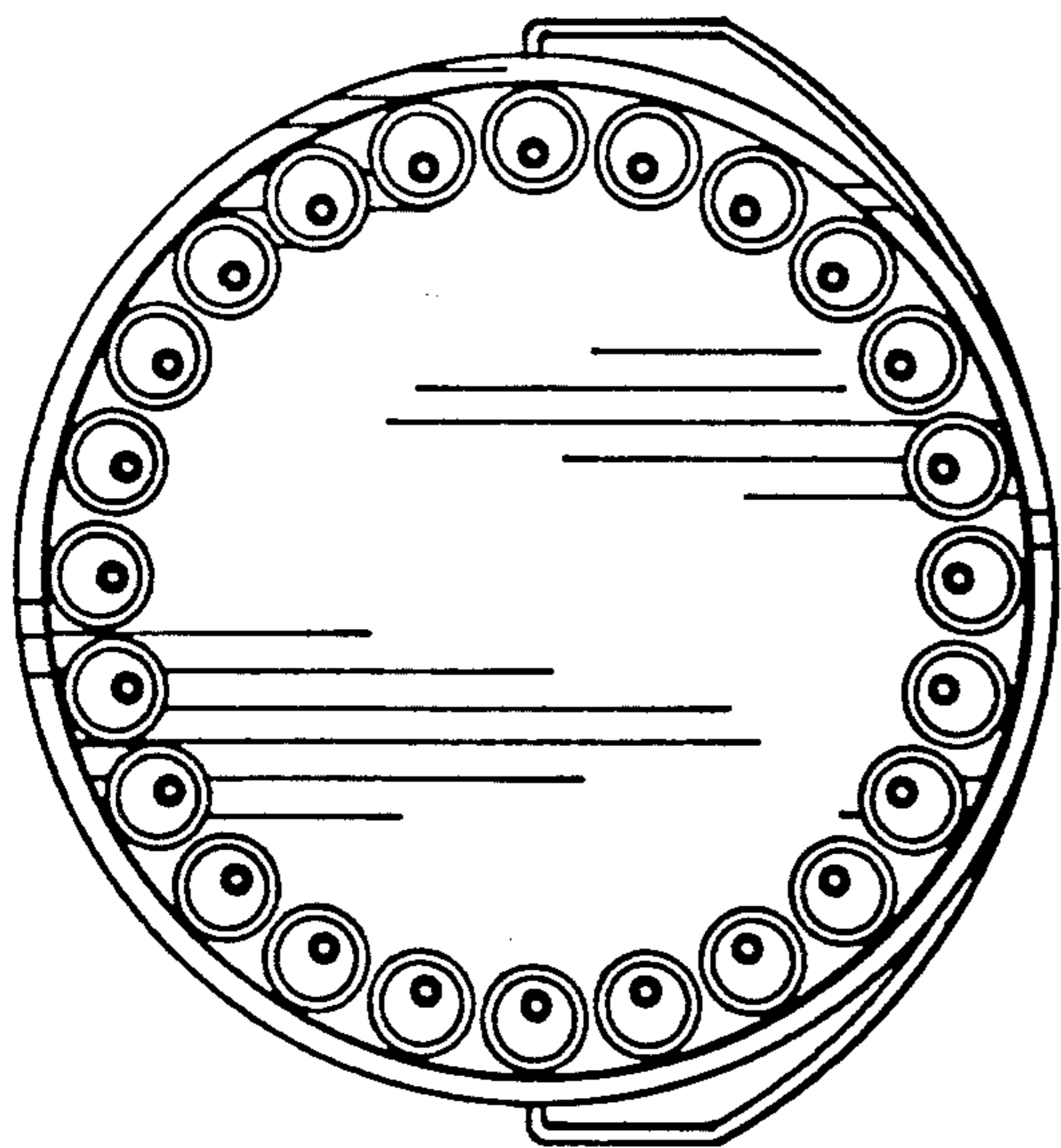
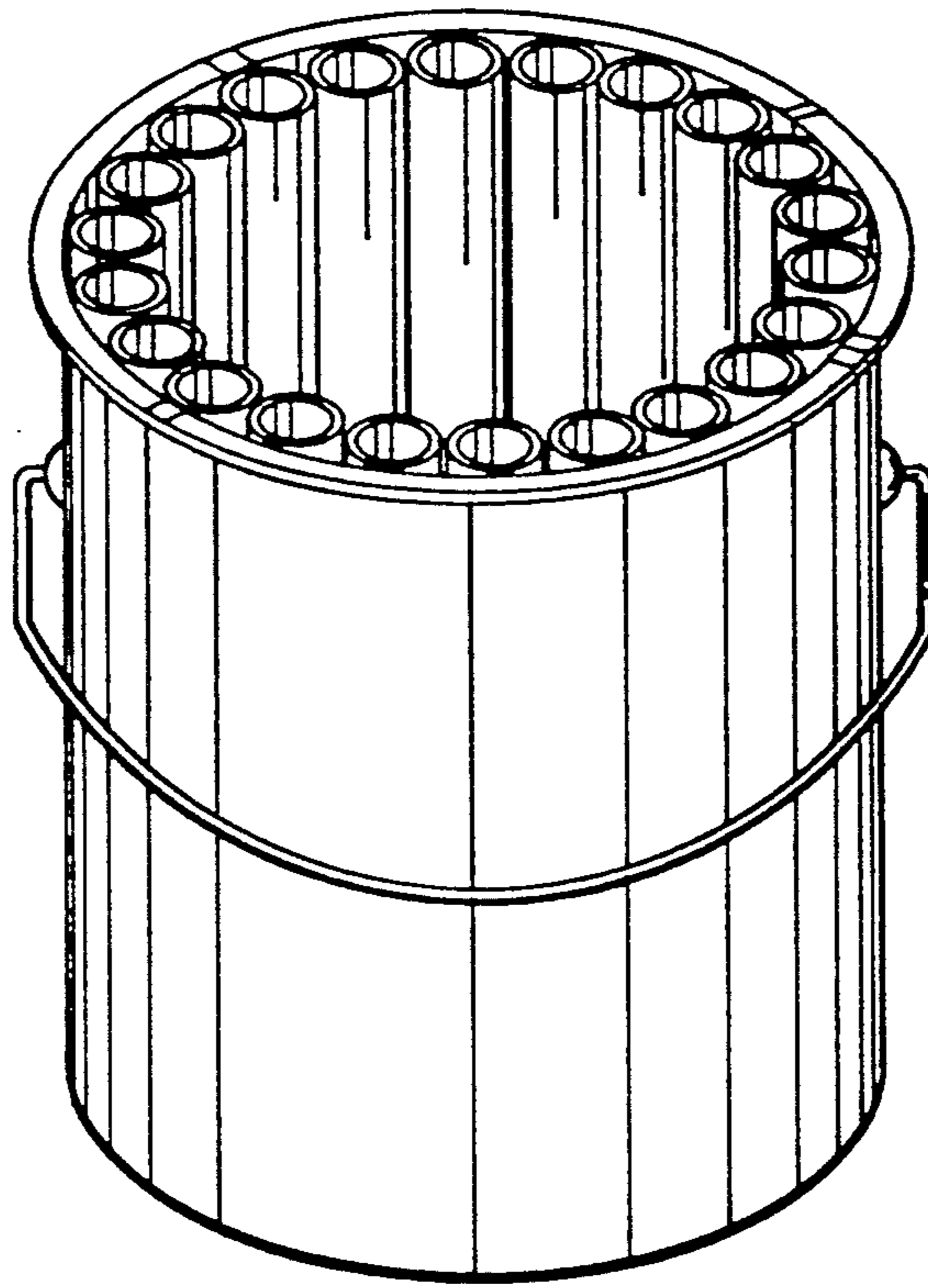


FIG. 11

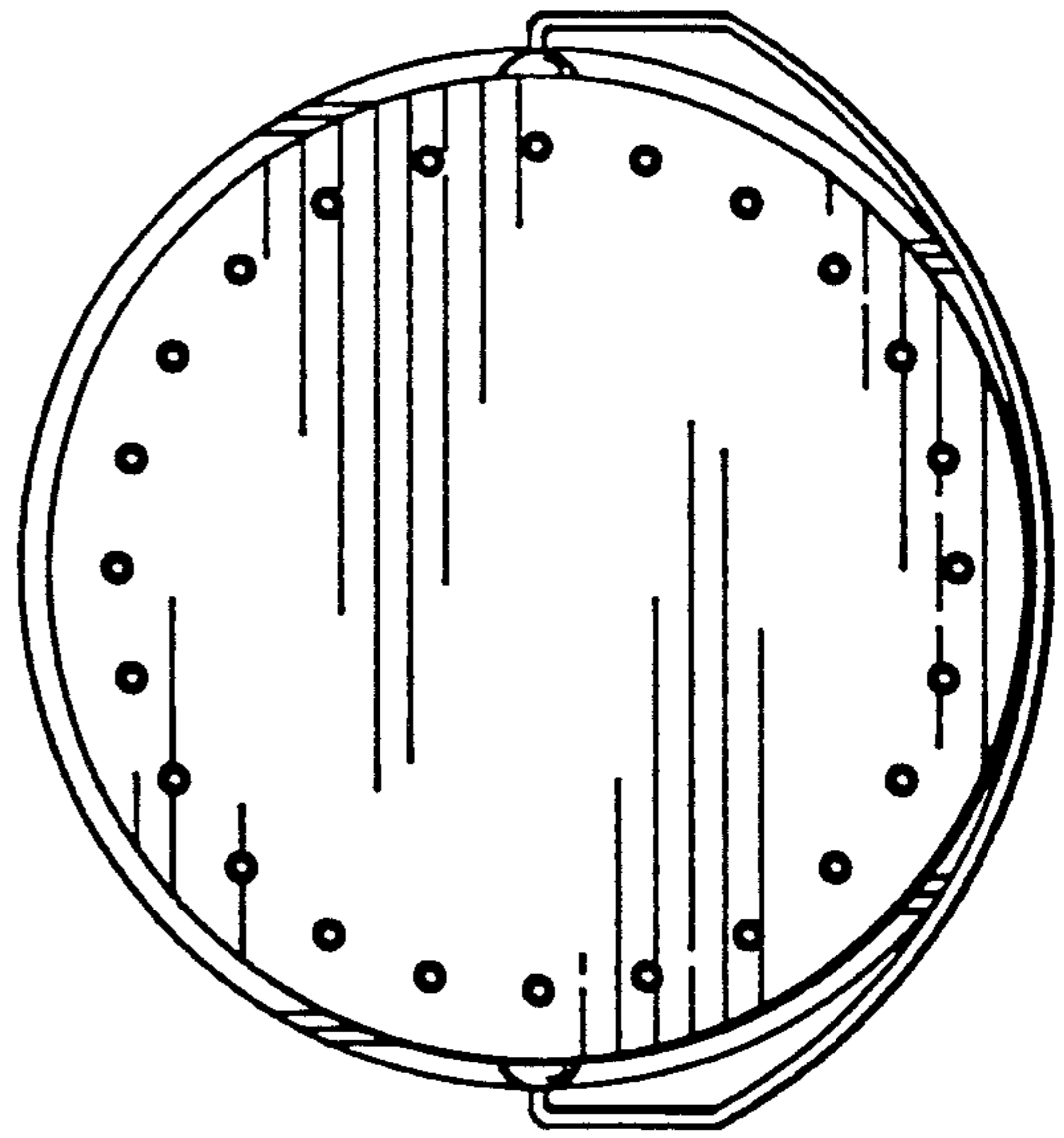


FIG. 12

FIG. 13

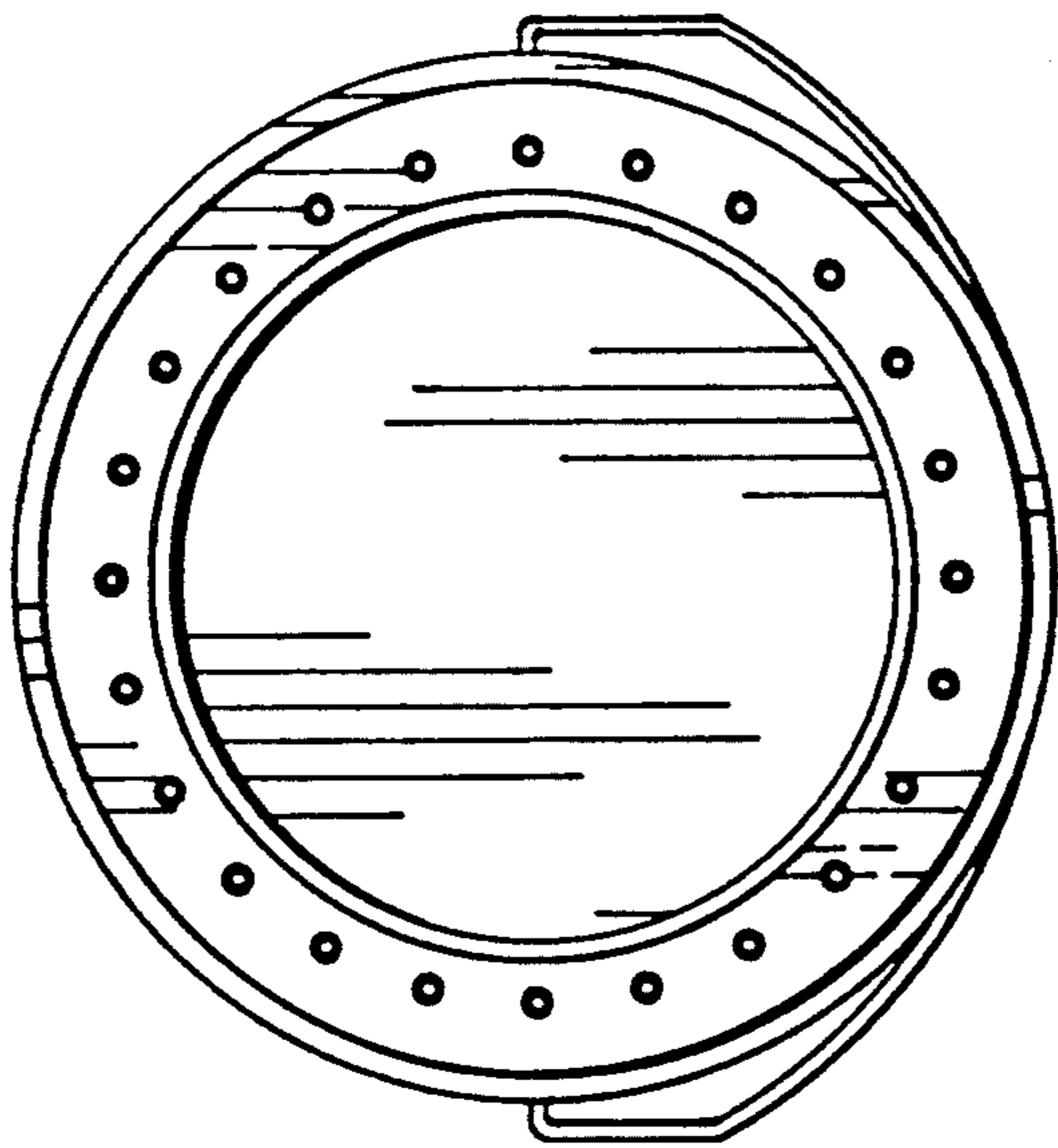
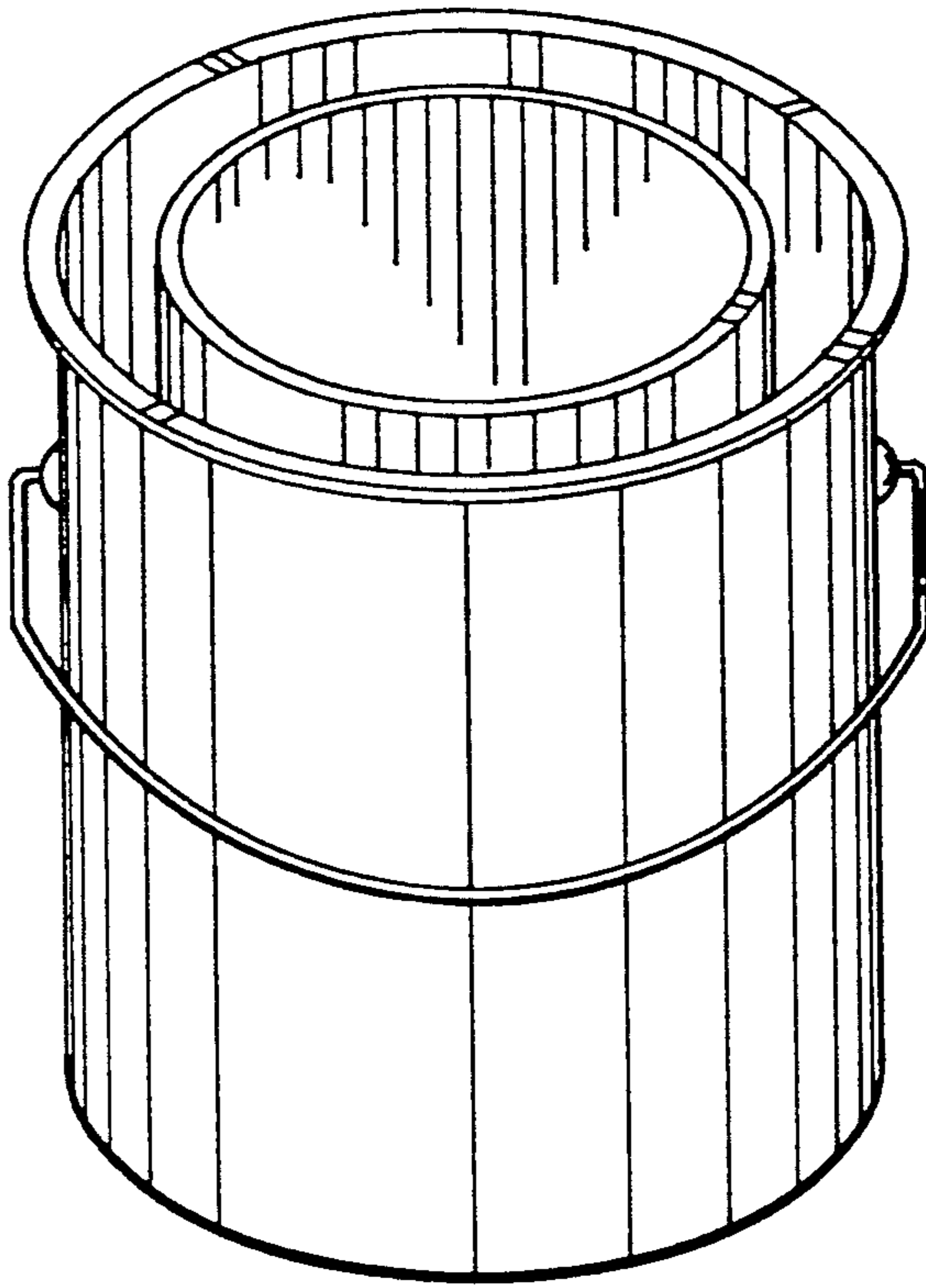


FIG. 14

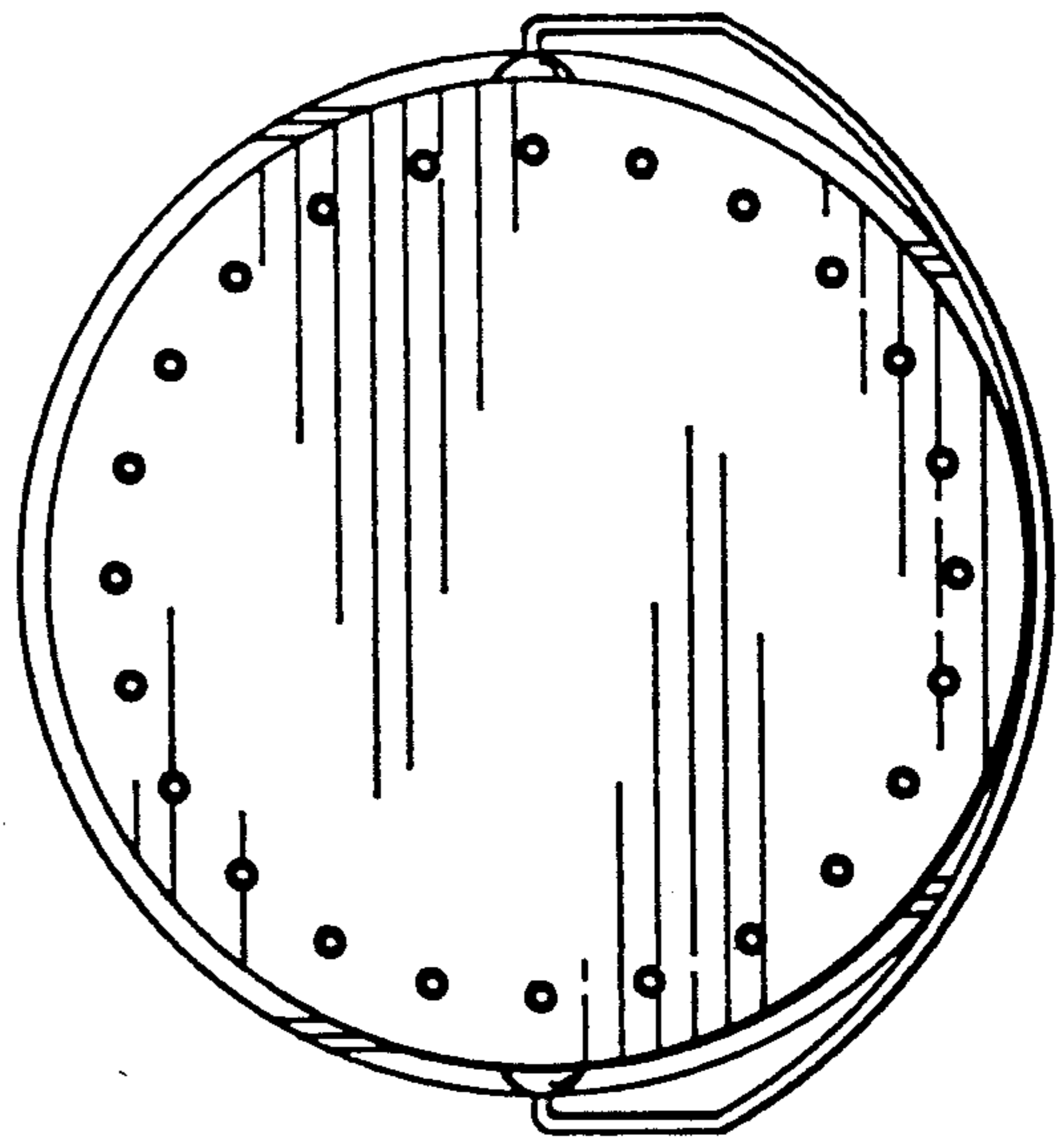


FIG. 15

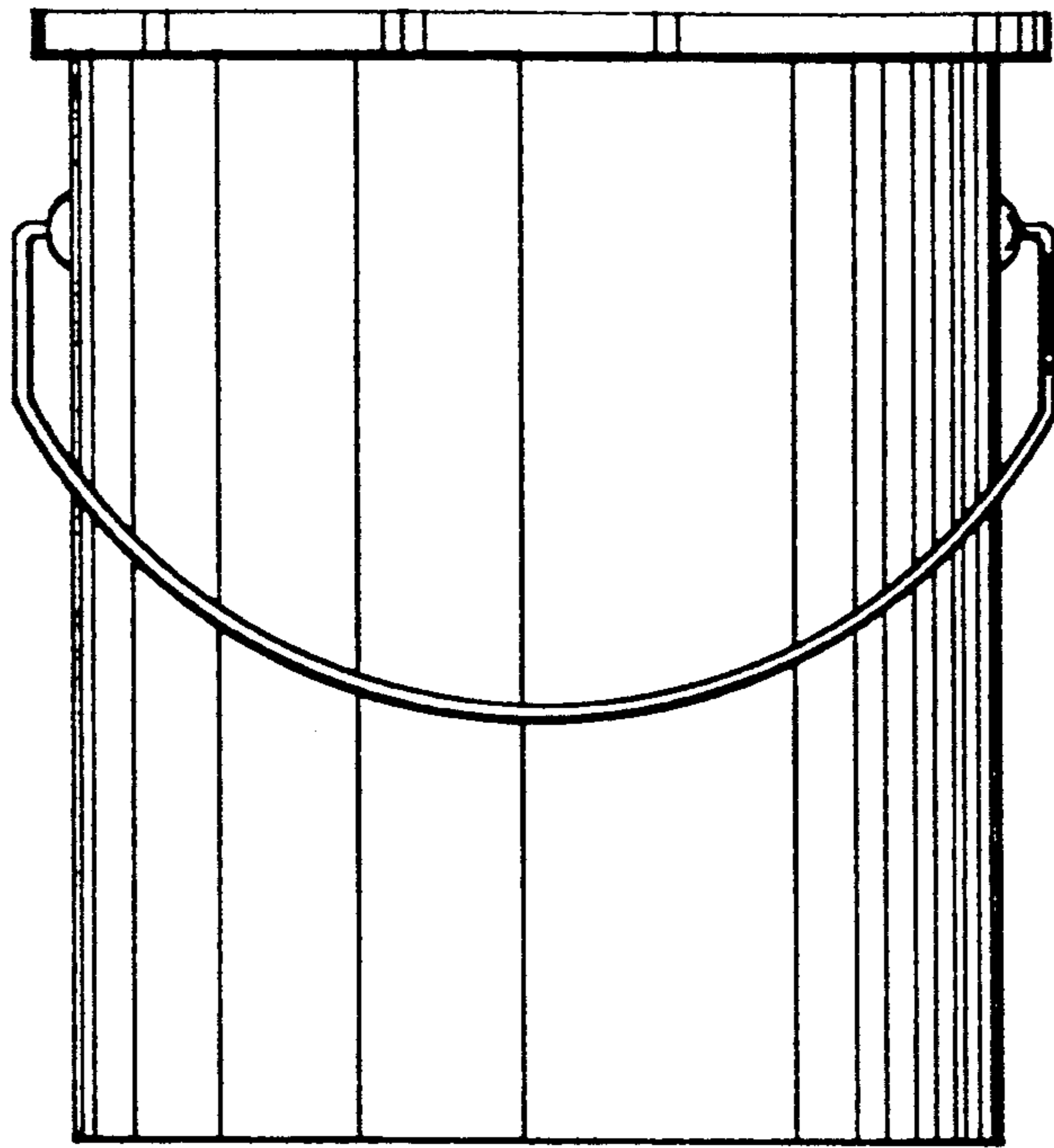


FIG. 16

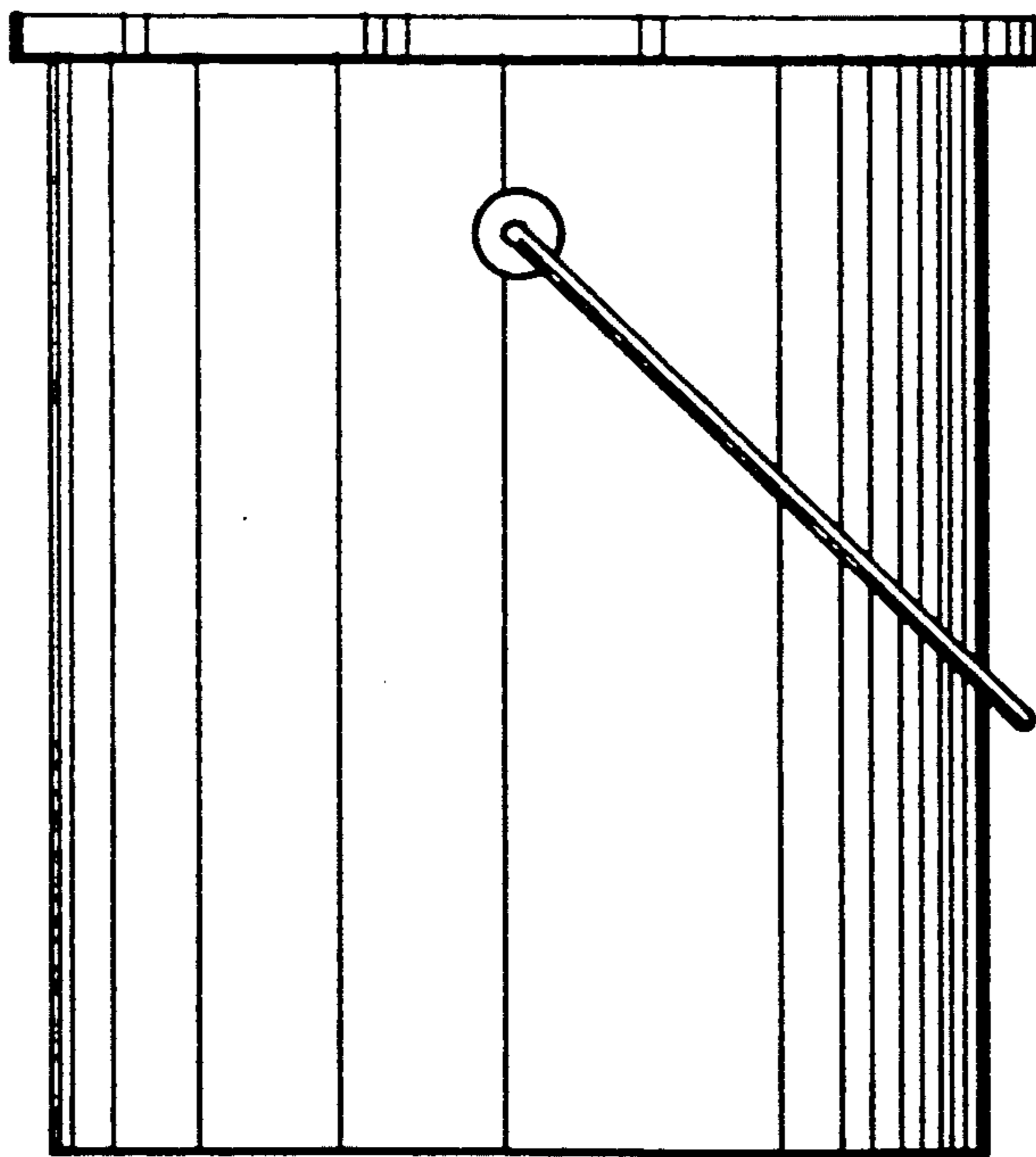


FIG. 17