



US00D328774S

**United States Patent** [19]  
**Galante**

[11] **Patent Number: Des. 328,774**  
[45] **Date of Patent: \*\* Aug. 18, 1992**

[54] **ANGLER'S PAIL**

[76] **Inventor: Carl J. Galante, 1837 Dixie Beach Blvd., Sanibel, Fla. 33957**

[\*\*] **Term: 14 Years**

[21] **Appl. No.: 341,063**

[22] **Filed: Apr. 20, 1989**

[52] **U.S. Cl. .... D22/136**

[58] **Field of Search ..... D22/136, 134; 43/54.1, 43/55, 56, 57; 206/315.11**

[56] **References Cited**

**U.S. PATENT DOCUMENTS**

D. 235,205	5/1975	Schwartz et al. ....	D22/136
1,709,424	4/1929	Zohe .....	43/56
3,006,106	10/1961	Shuler .....	43/55
3,217,444	11/1965	Howard .....	D22/136 X
4,677,785	7/1987	Lambourn .....	D22/136 X
4,756,412	7/1988	Graves et al. ....	43/54.1 X
4,887,380	12/1989	Andrews .....	43/56

**OTHER PUBLICATIONS**

Old Pal Fishing Equipment, p. 1, Old Pal Minnow Bucket.

*Primary Examiner*—A. Hugo Word

*Assistant Examiner*—Doris V. Coles

*Attorney, Agent, or Firm*—Richard C. Litman

[57] **CLAIM**

The ornamental design for an angler's pail, as shown and described.

**DESCRIPTION**

FIG. 1 is a front perspective view of an angler's pail showing my new design;  
 FIG. 2 is a top plan view thereof;  
 FIG. 3 is a bottom plan view thereof;  
 FIG. 4 is a front perspective plan view of a second embodiment;  
 FIG. 5 is a top plan view thereof;  
 FIG. 6 is a bottom plan view thereof;  
 FIG. 7 is a front perspective plan view of a third embodiment;  
 FIG. 8 is a top plan view thereof;  
 FIG. 9 is a bottom plan view thereof;  
 FIG. 10 is a front perspective plan view of a fourth embodiment;  
 FIG. 11 is a top plan view thereof;  
 FIG. 12 is a bottom plan view thereof;  
 FIG. 13 is a front elevational view of the embodiments of FIGS. 1, 4, 7, and 10, the rear elevational view being substantially similar with the exception of the position of the handle; and,  
 FIG. 14 is a side elevational view of the embodiments of FIGS. 1, 4, 7, and 10, the opposite side elevational view being a mirror image thereof.

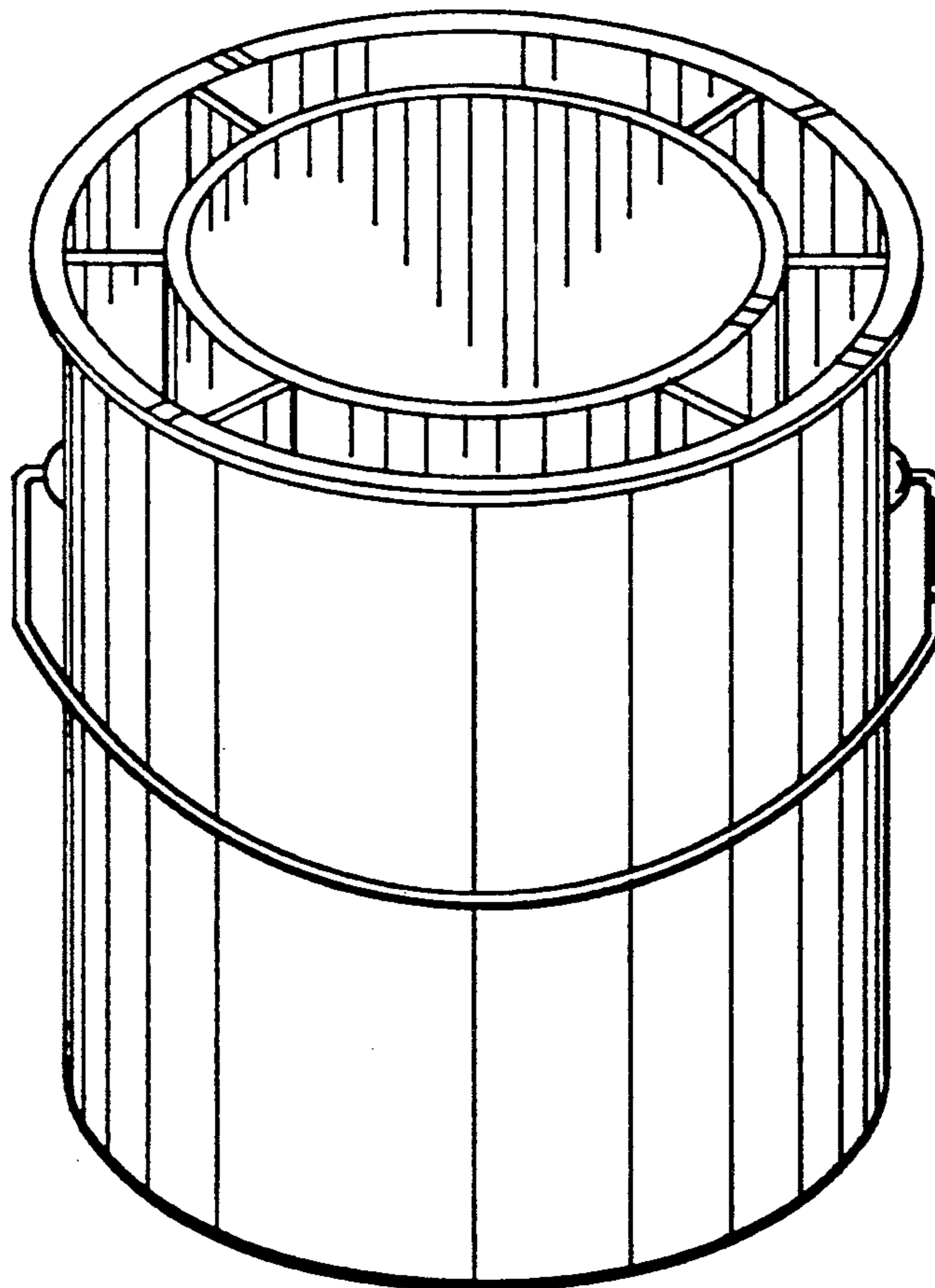


FIG. 1

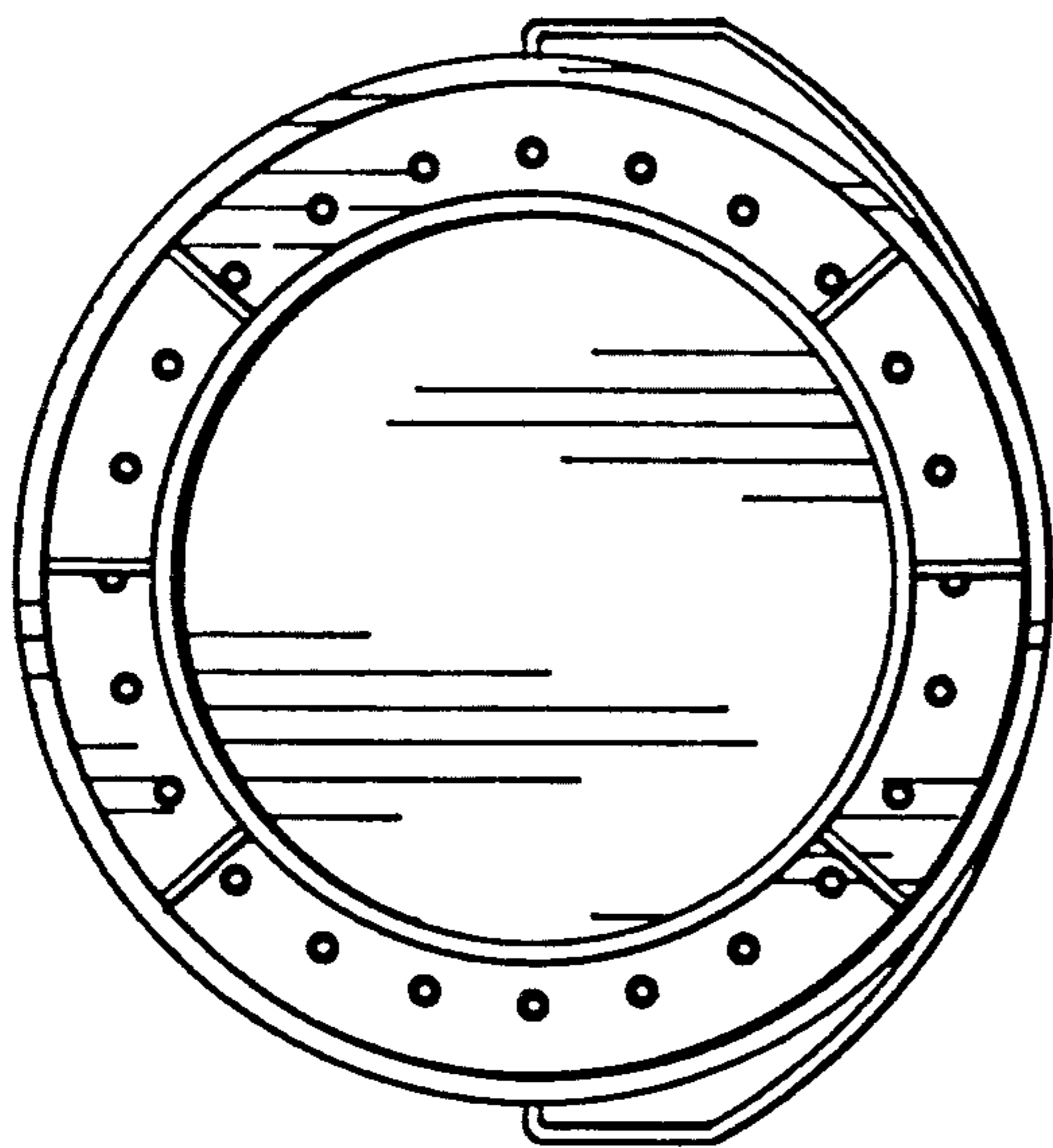
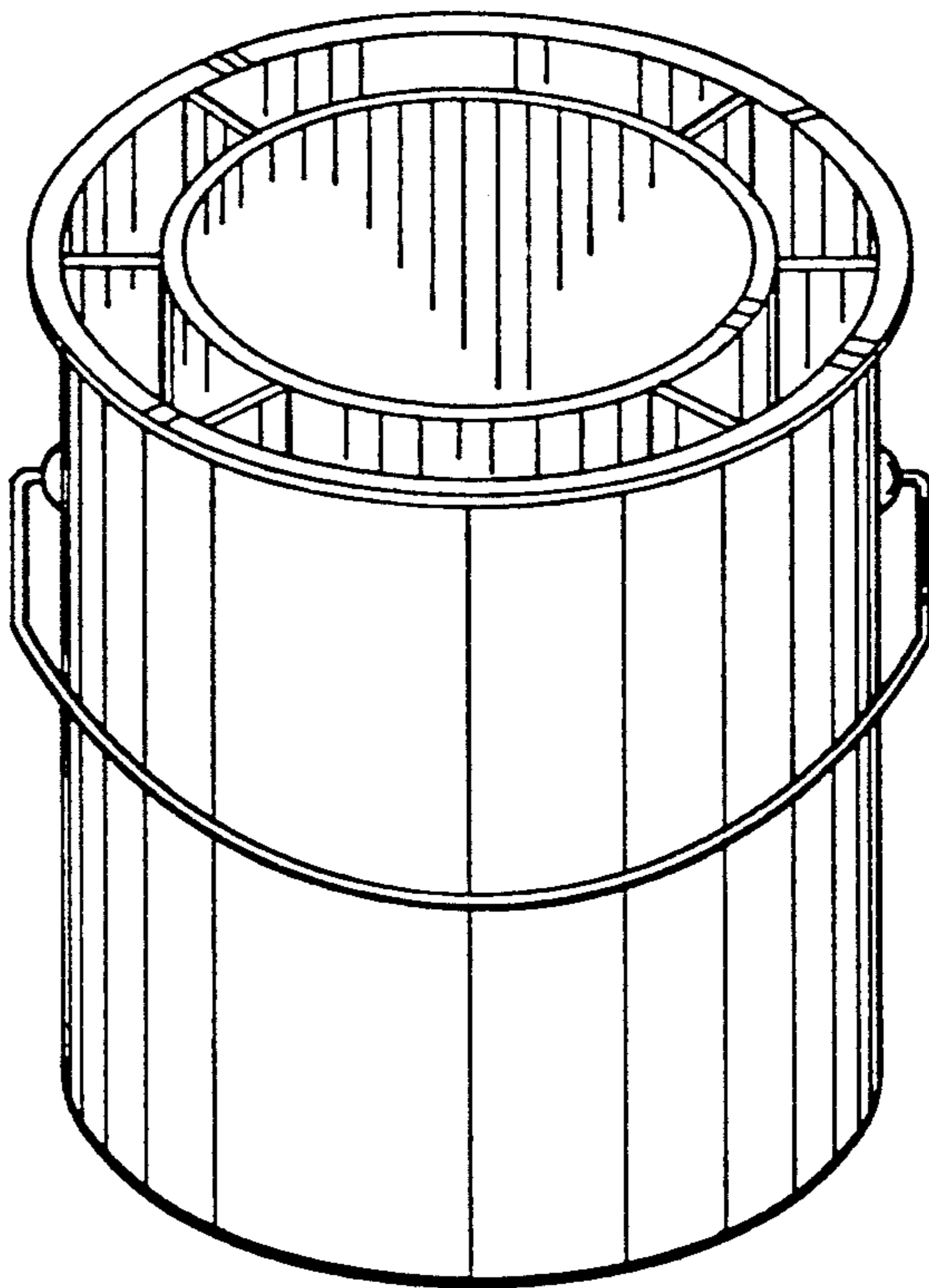


FIG. 2

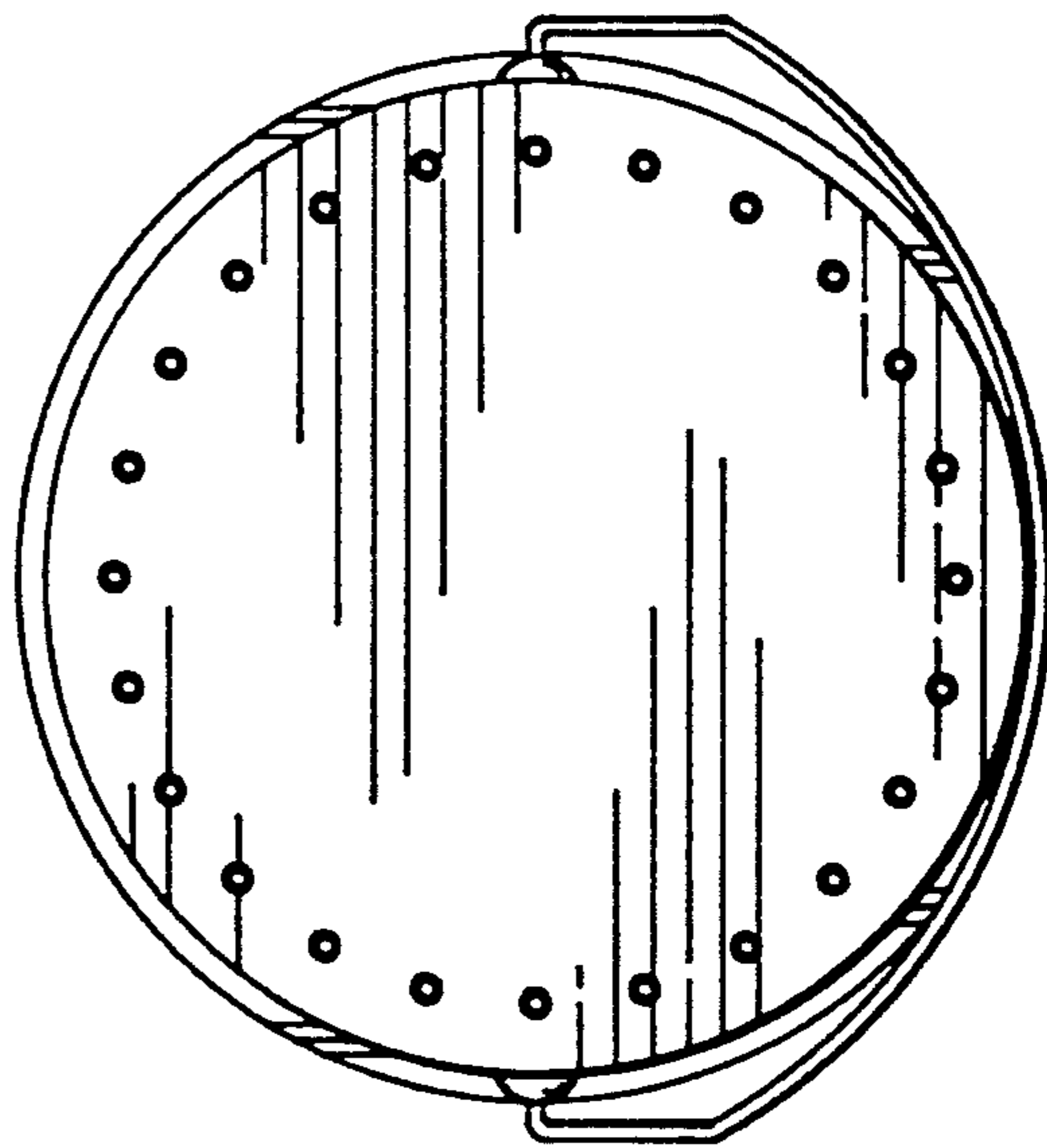


FIG. 3

FIG. 4

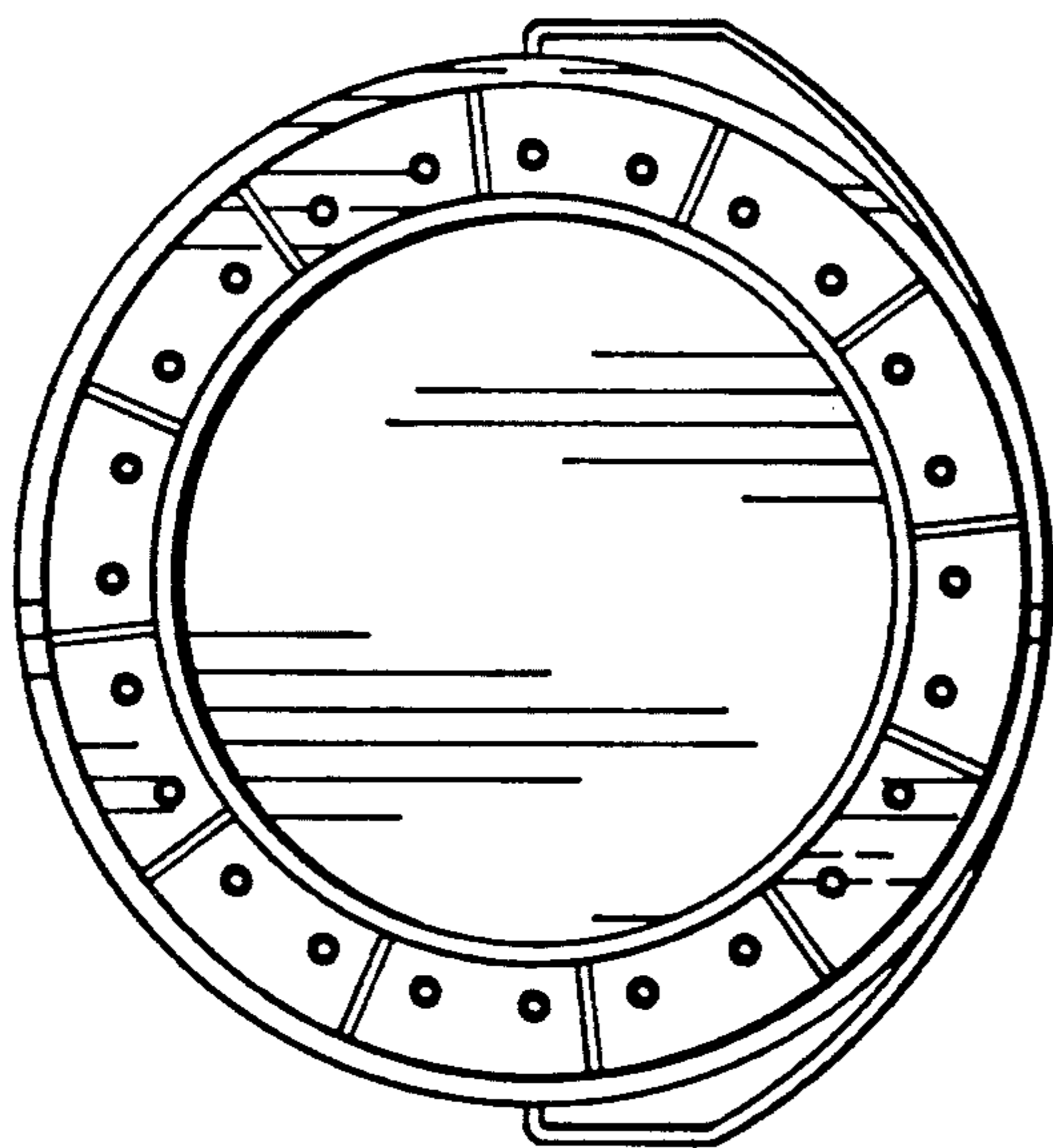
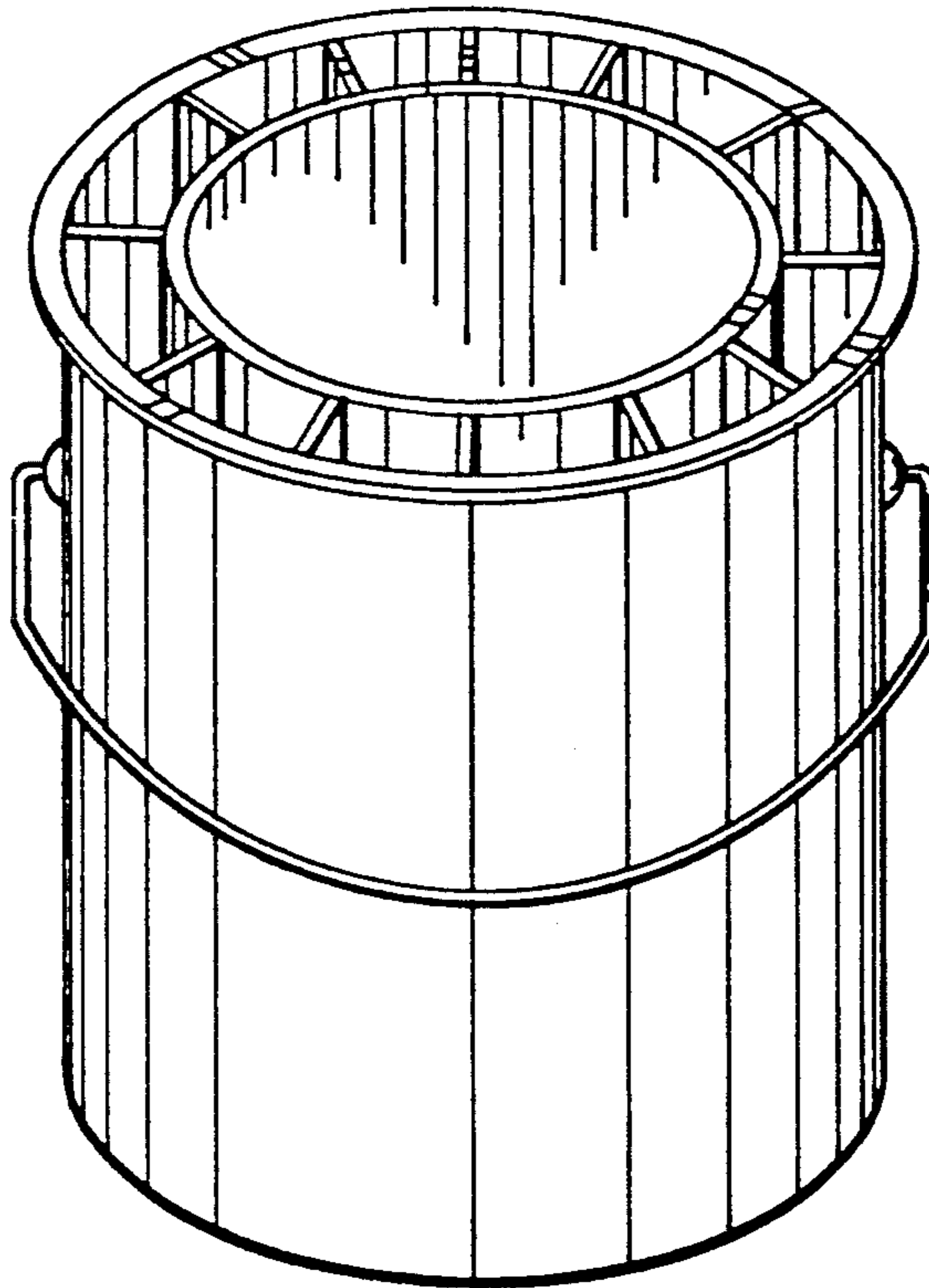


FIG. 5

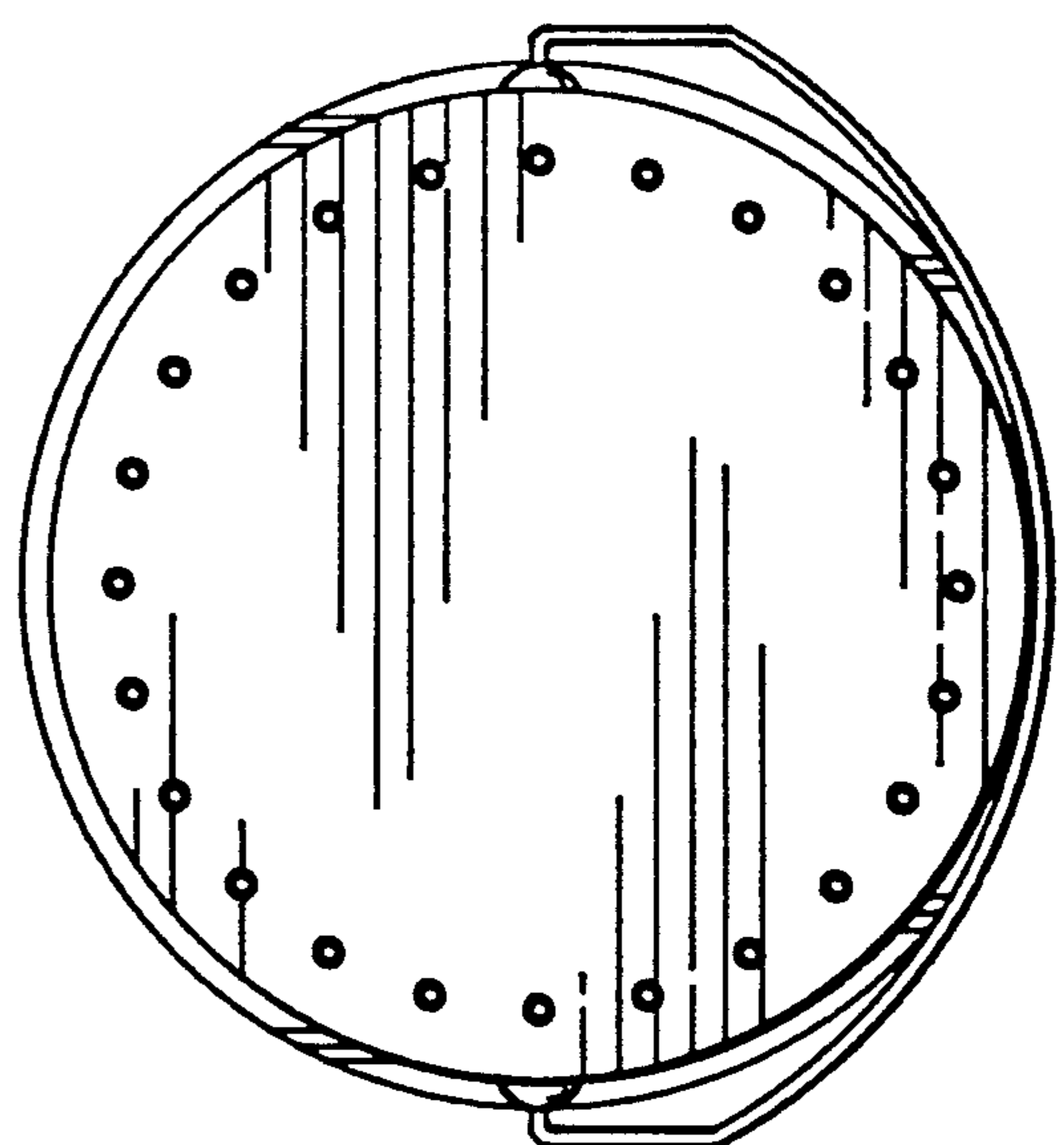


FIG. 6

FIG. 7

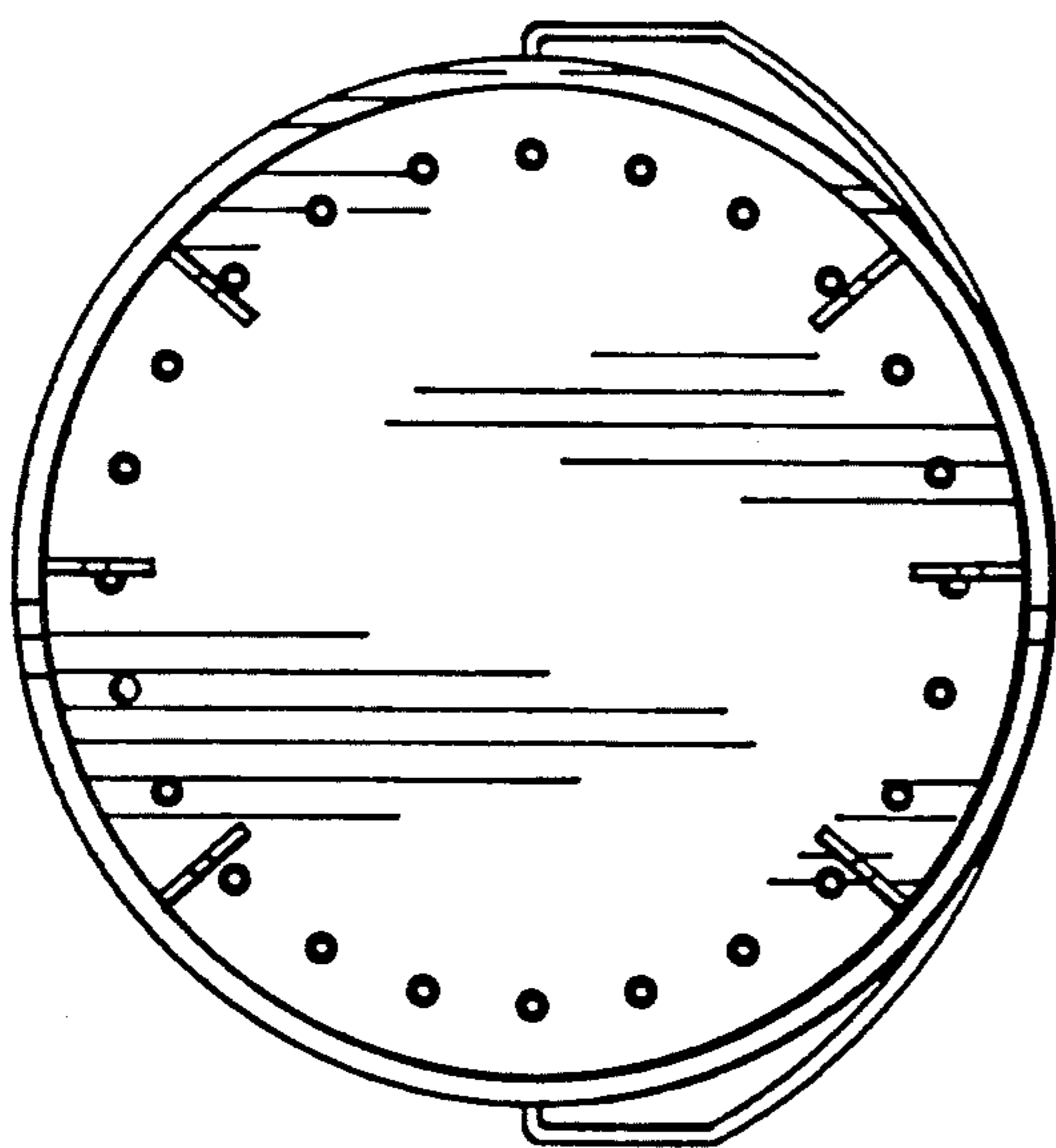
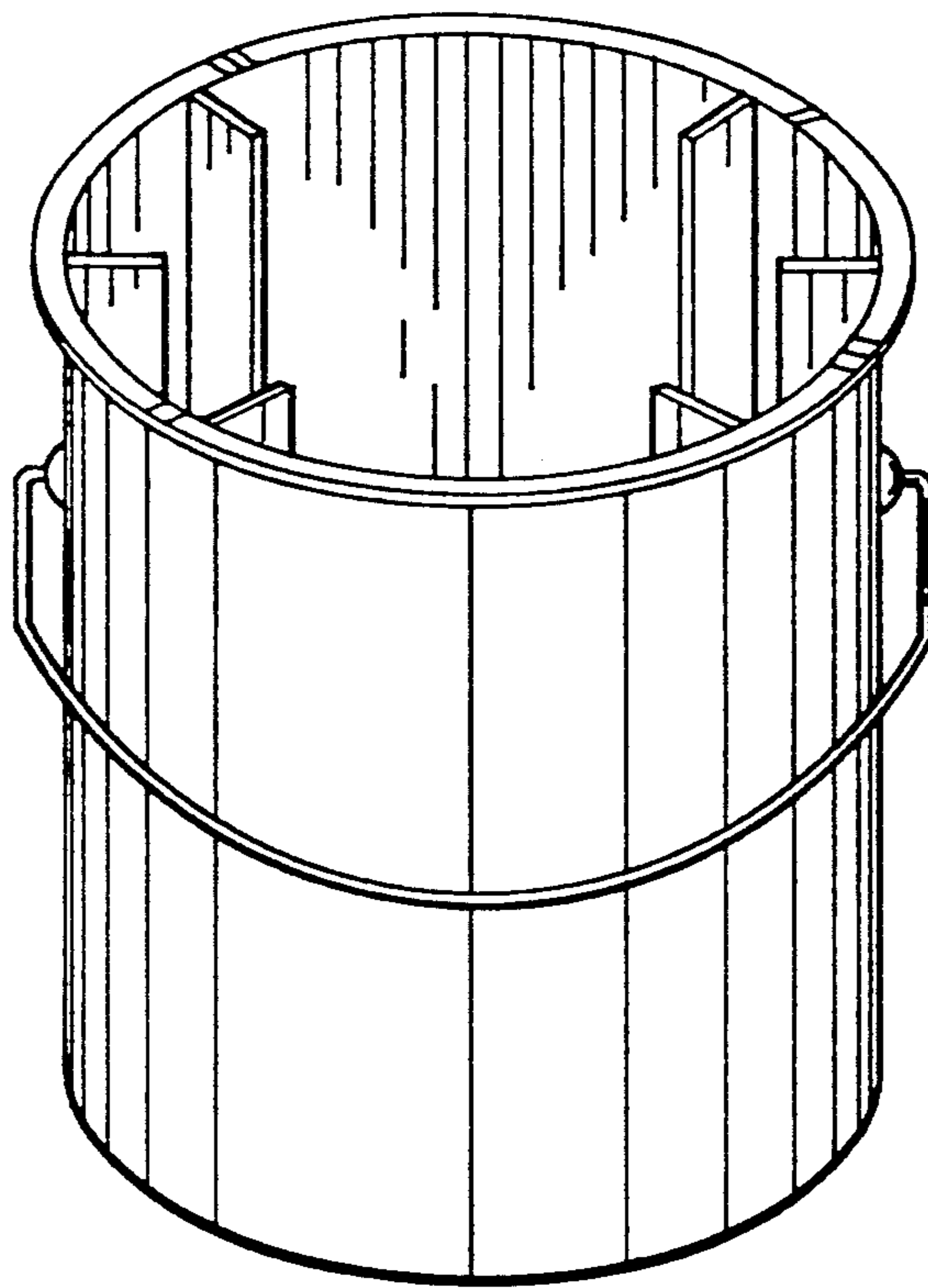


FIG. 8

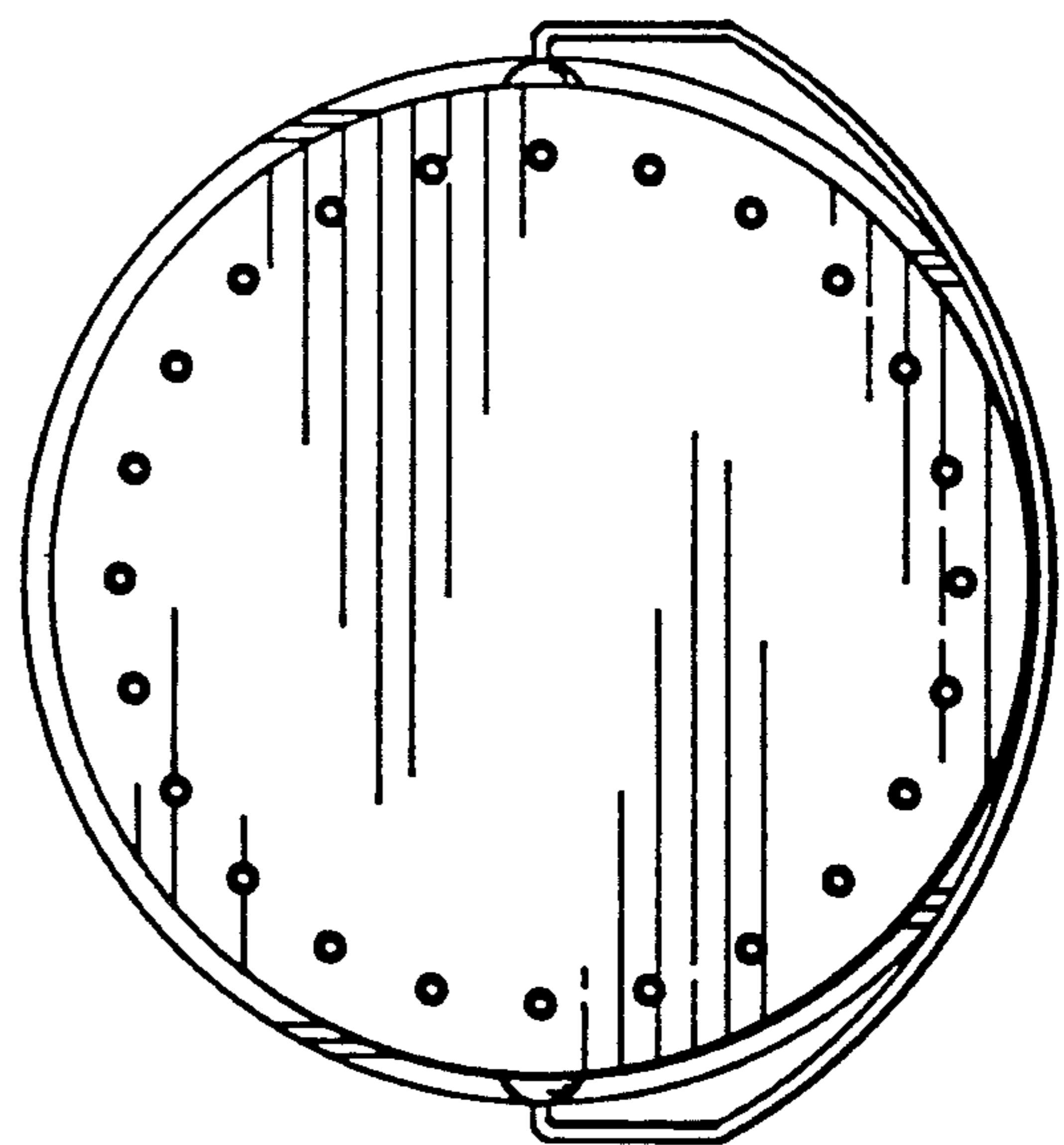


FIG. 9

FIG. 10

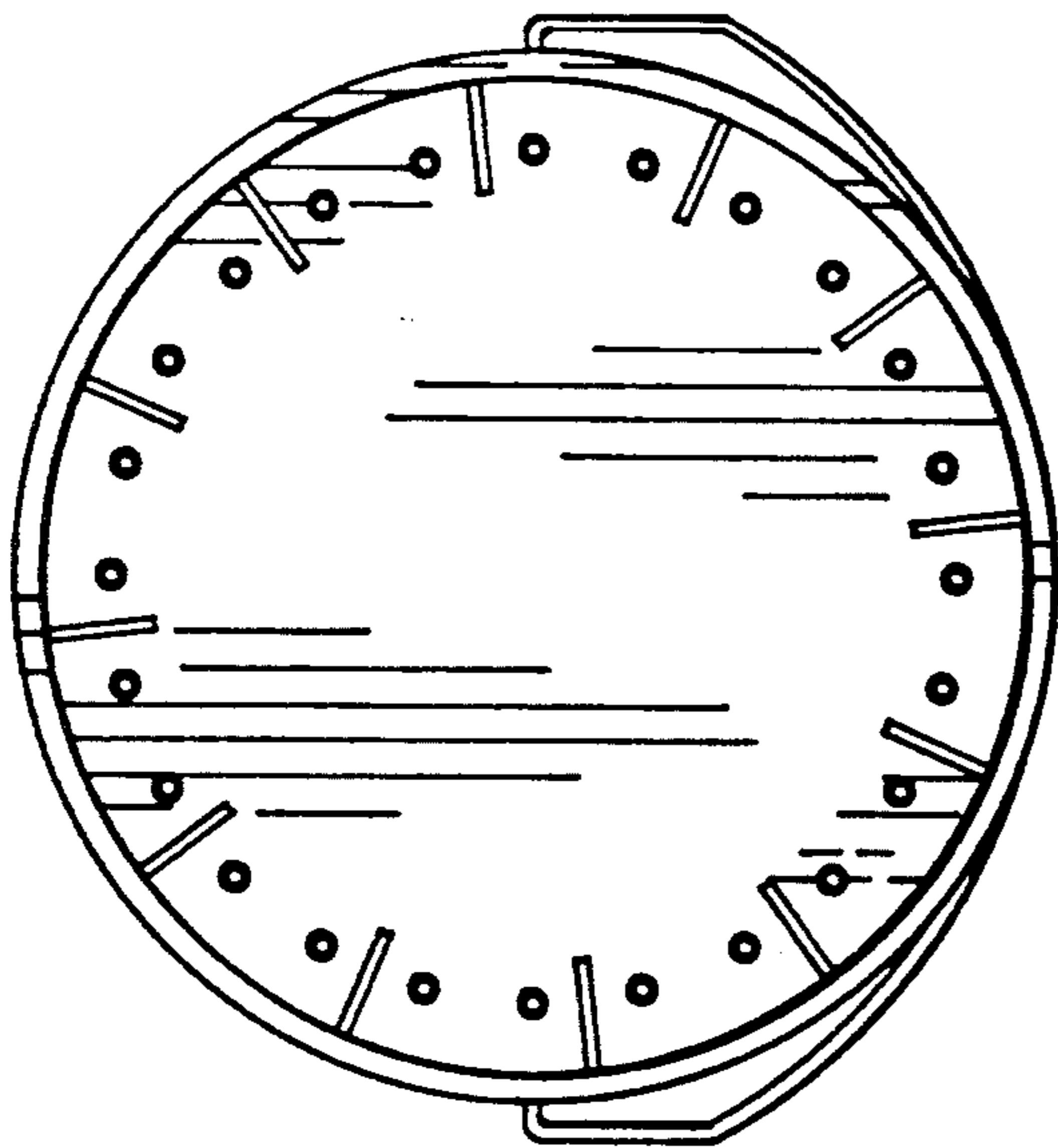
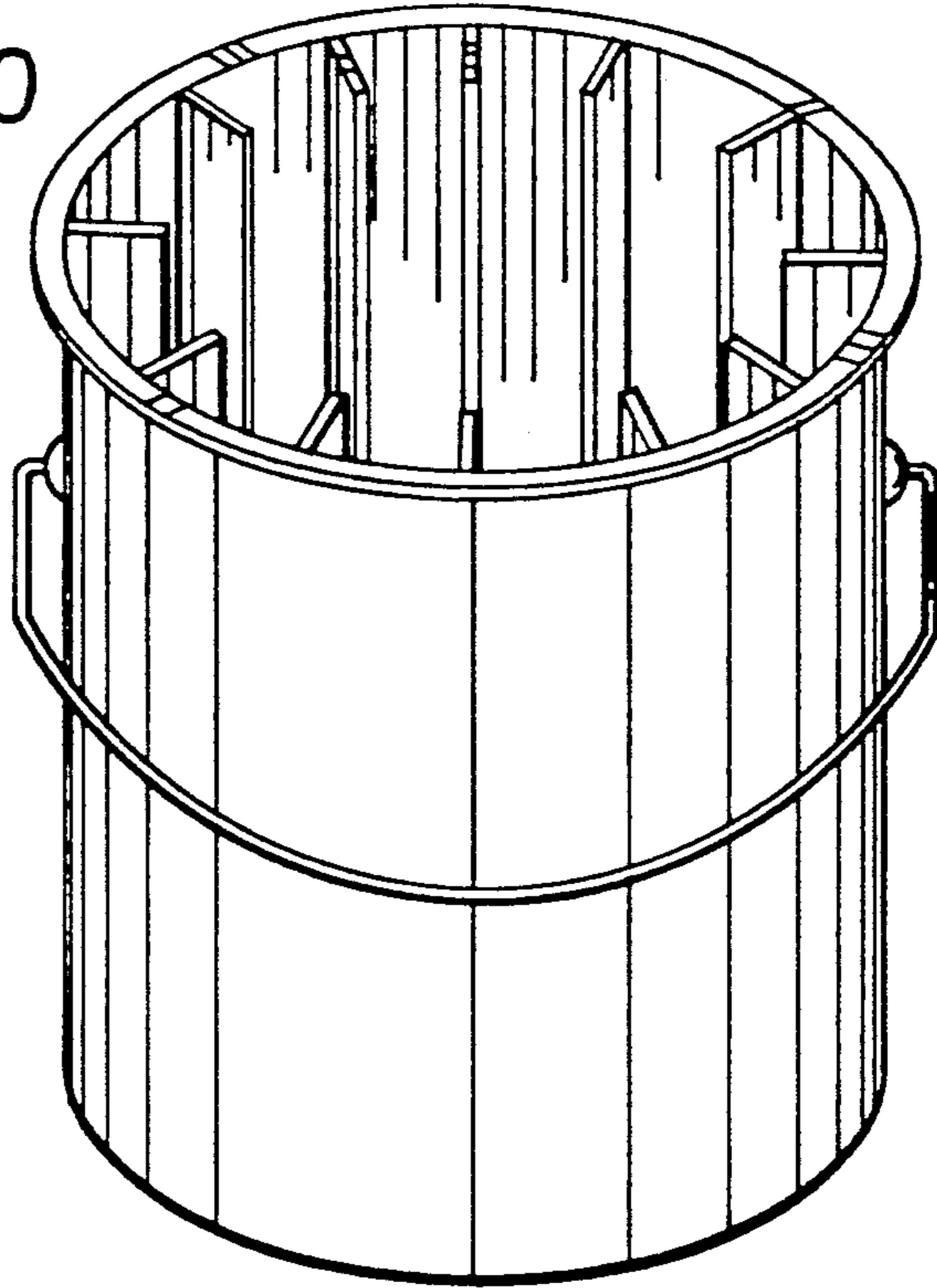


FIG. 11

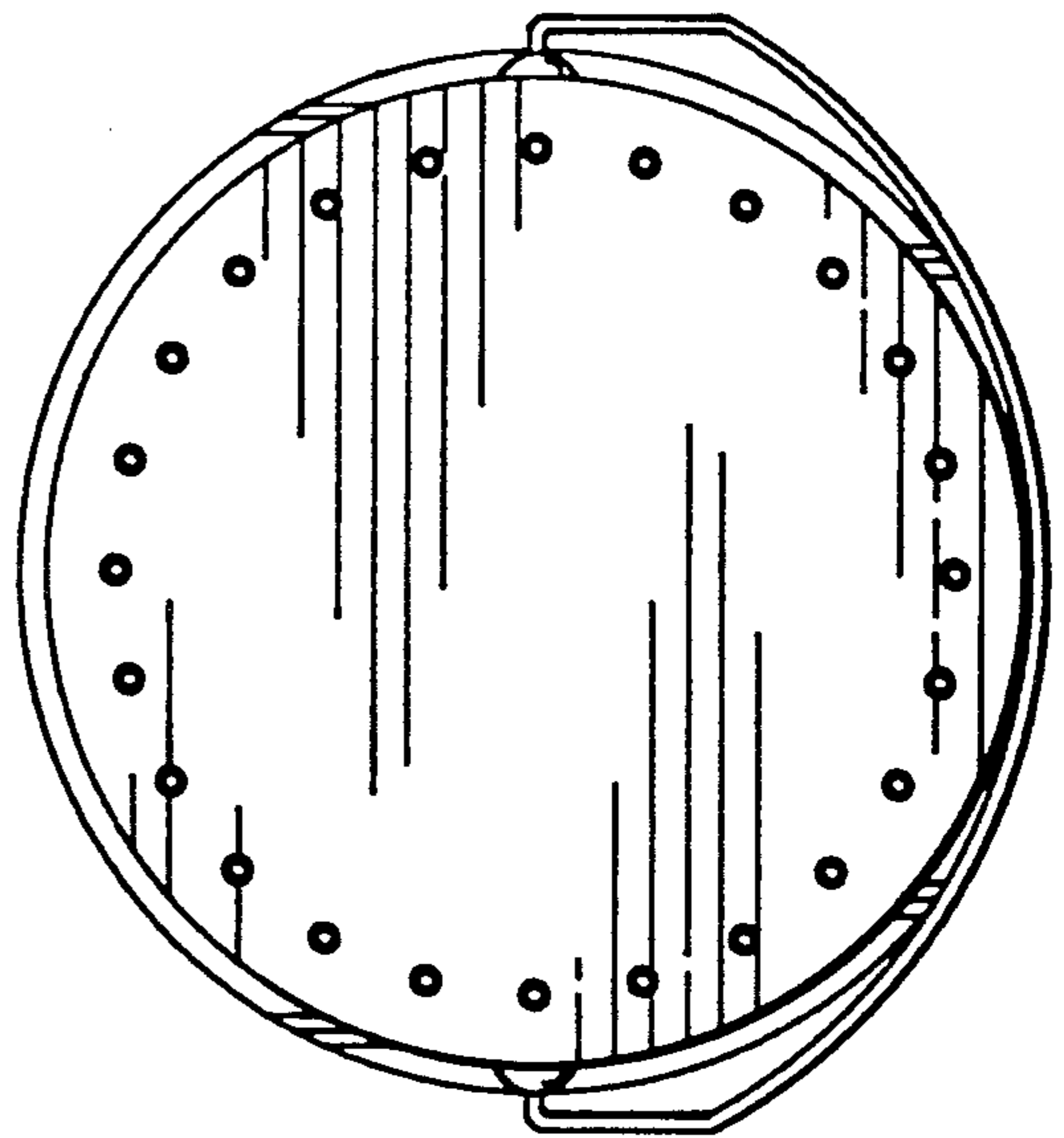


FIG. 12

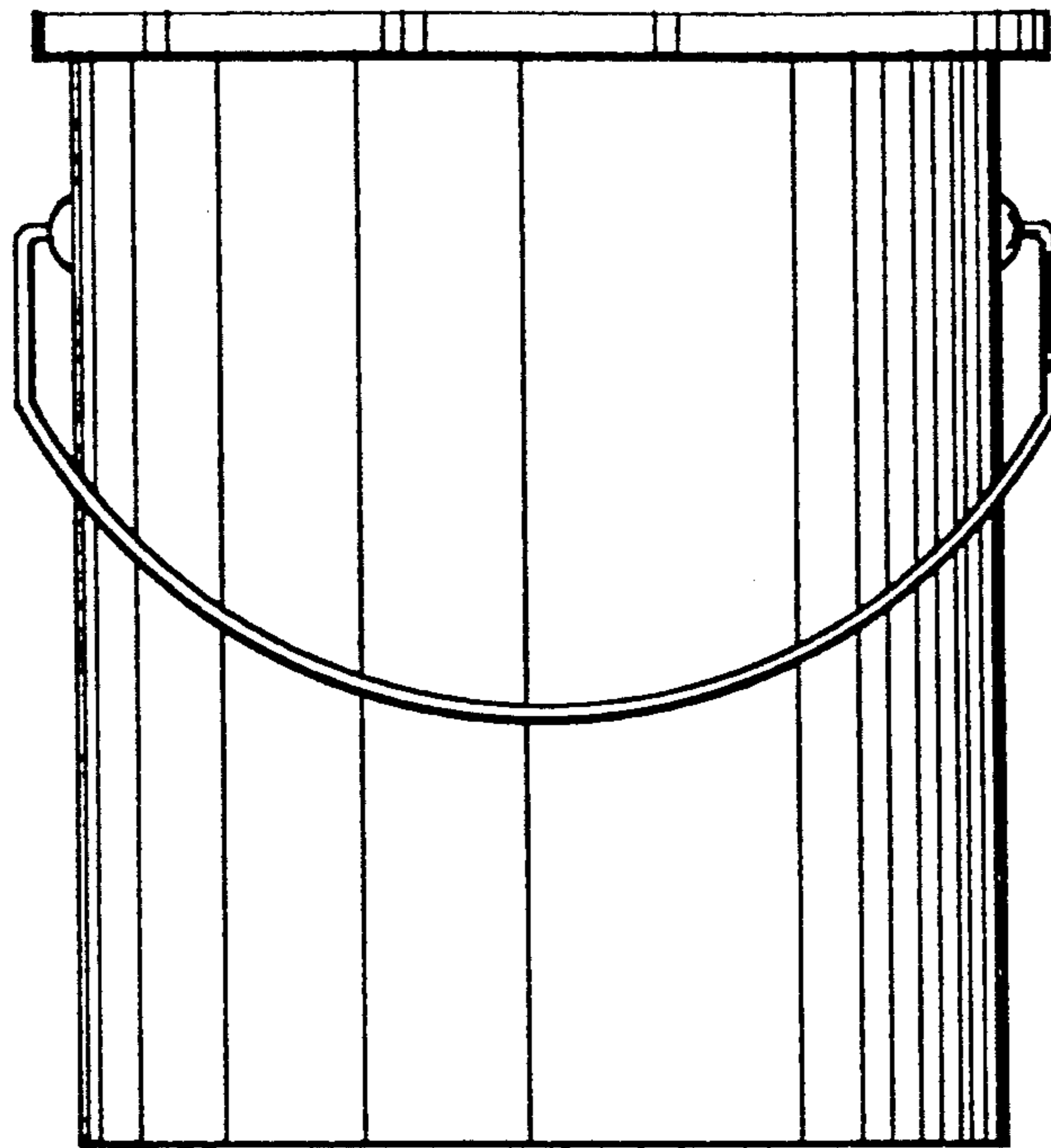


FIG. 13

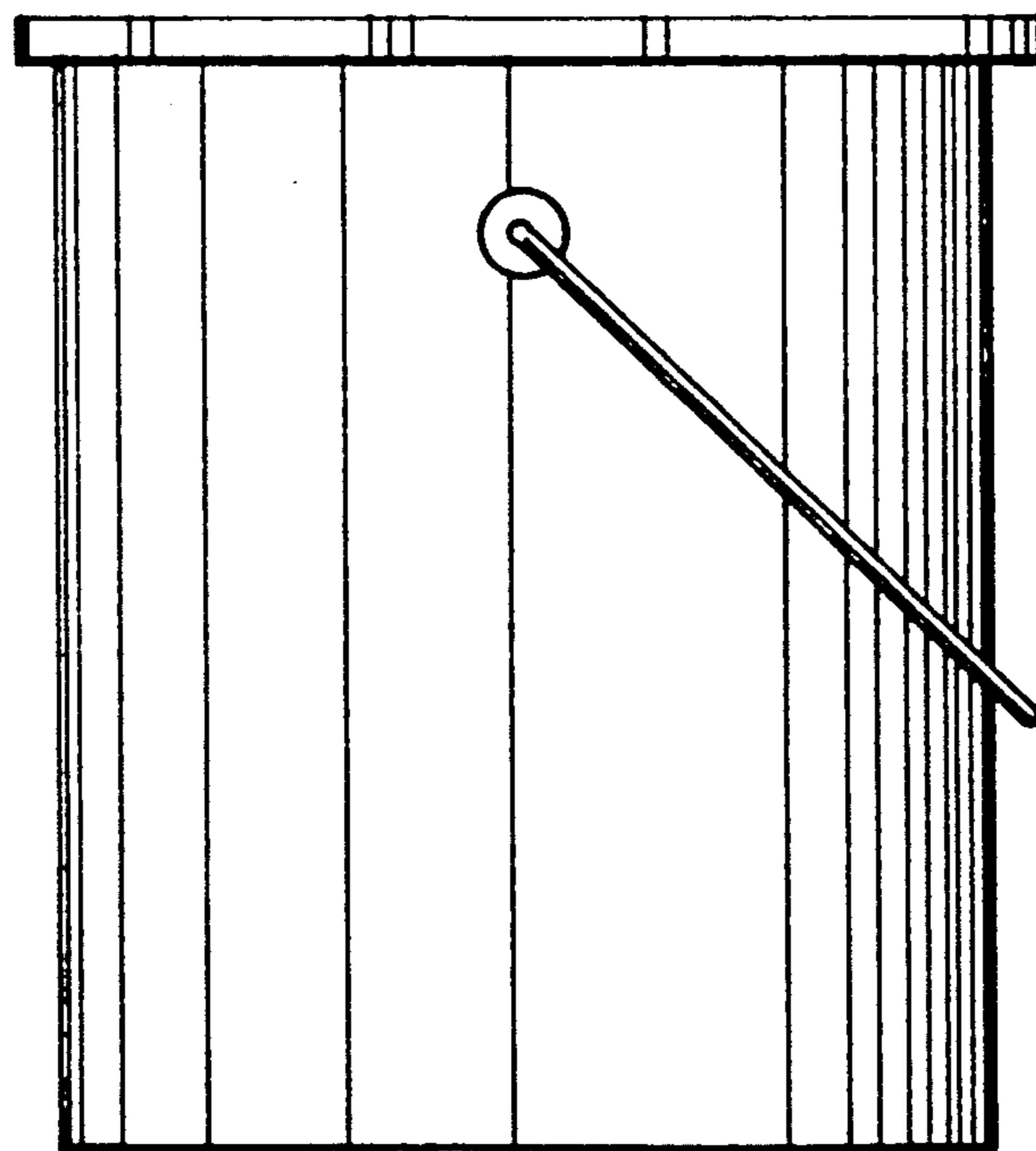


FIG. 14