



US00D328771S

# United States Patent [19]

[11] Patent Number: **Des. 328,771**

**Molnar**

[45] Date of Patent: **\*\* Aug. 18, 1992**

[54] ICE SKATE

D. 277,693 2/1985 Bourque ..... D21/225  
672,756 4/1901 Everett ..... D21/225

[76] Inventor: **Jeff Molnar**, 38 Highview Ter.,  
Berlin, Conn. 06037

*Primary Examiner*—Charles A. Rademaker  
*Attorney, Agent, or Firm*—Terry M. Gernstein

[\*\*] Term: **14 Years**

[57] **CLAIM**

[21] Appl. No.: **486,179**

The ornamental design for an ice skate, as shown and described.

[22] Filed: **Feb. 28, 1990**

[52] U.S. Cl. .... **D21/225**

[58] Field of Search ..... **D21/224, 225, 226;**  
**280/11.12, 11.17, 11.2, 11.18**

**DESCRIPTION**

[56] **References Cited**

**U.S. PATENT DOCUMENTS**

- D. 43,766 4/1913 Meagher ..... D21/225
- D. 53,047 3/1919 Reach ..... D21/225
- D. 93,618 10/1934 Hammond ..... D21/225
- D. 135,462 4/1943 McCullough ..... D21/225

FIG. 1 is a front perspective view of an ice skate showing my new design;  
 FIG. 2 is a front elevational view thereof;  
 FIG. 3 is a rear elevational view thereof;  
 FIG. 4 is a right side elevational view thereof;  
 FIG. 5 is a left elevational view thereof;  
 FIG. 6 is a top plan view thereof; and,  
 FIG. 7 is a bottom plan view thereof.

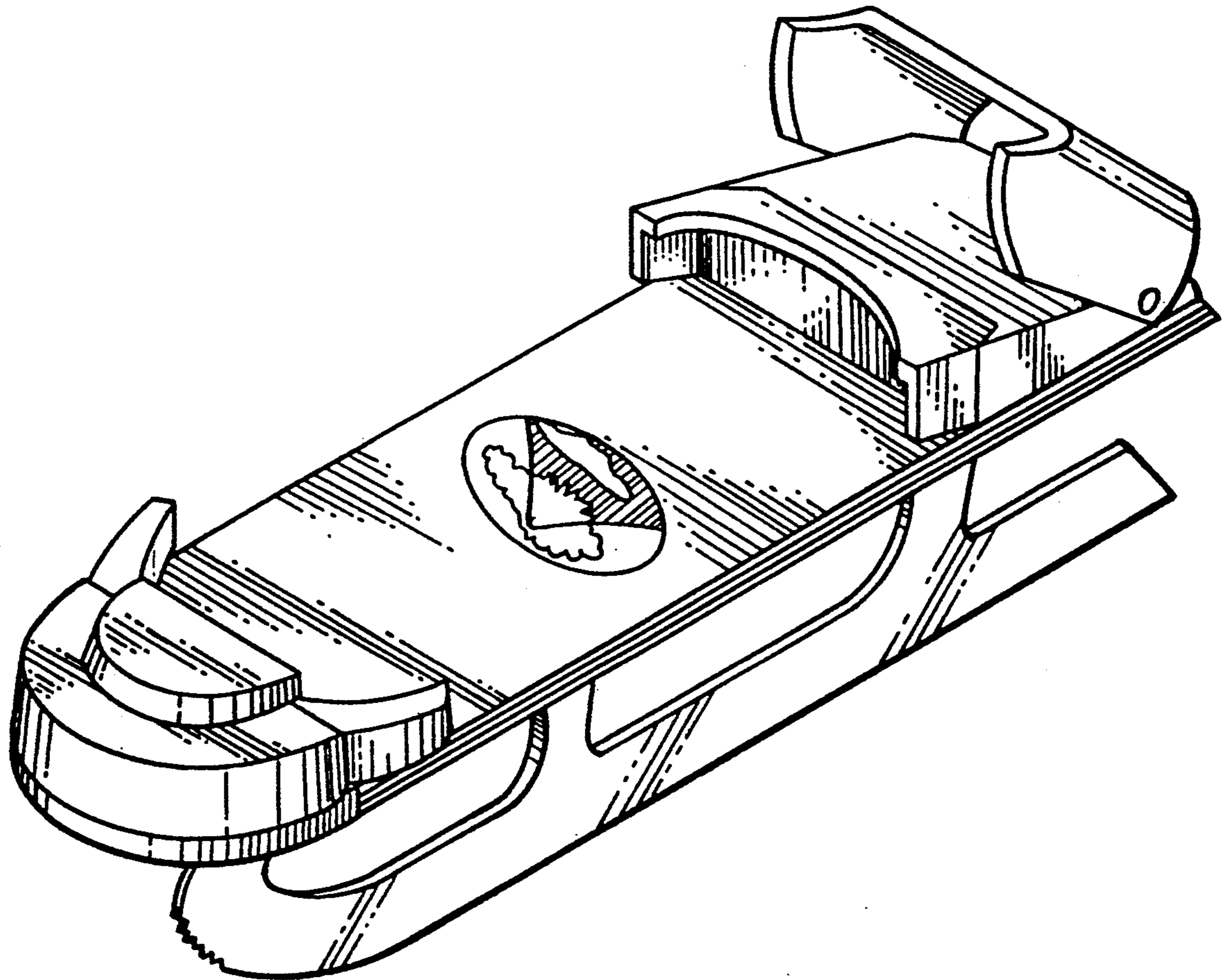


FIG. 1

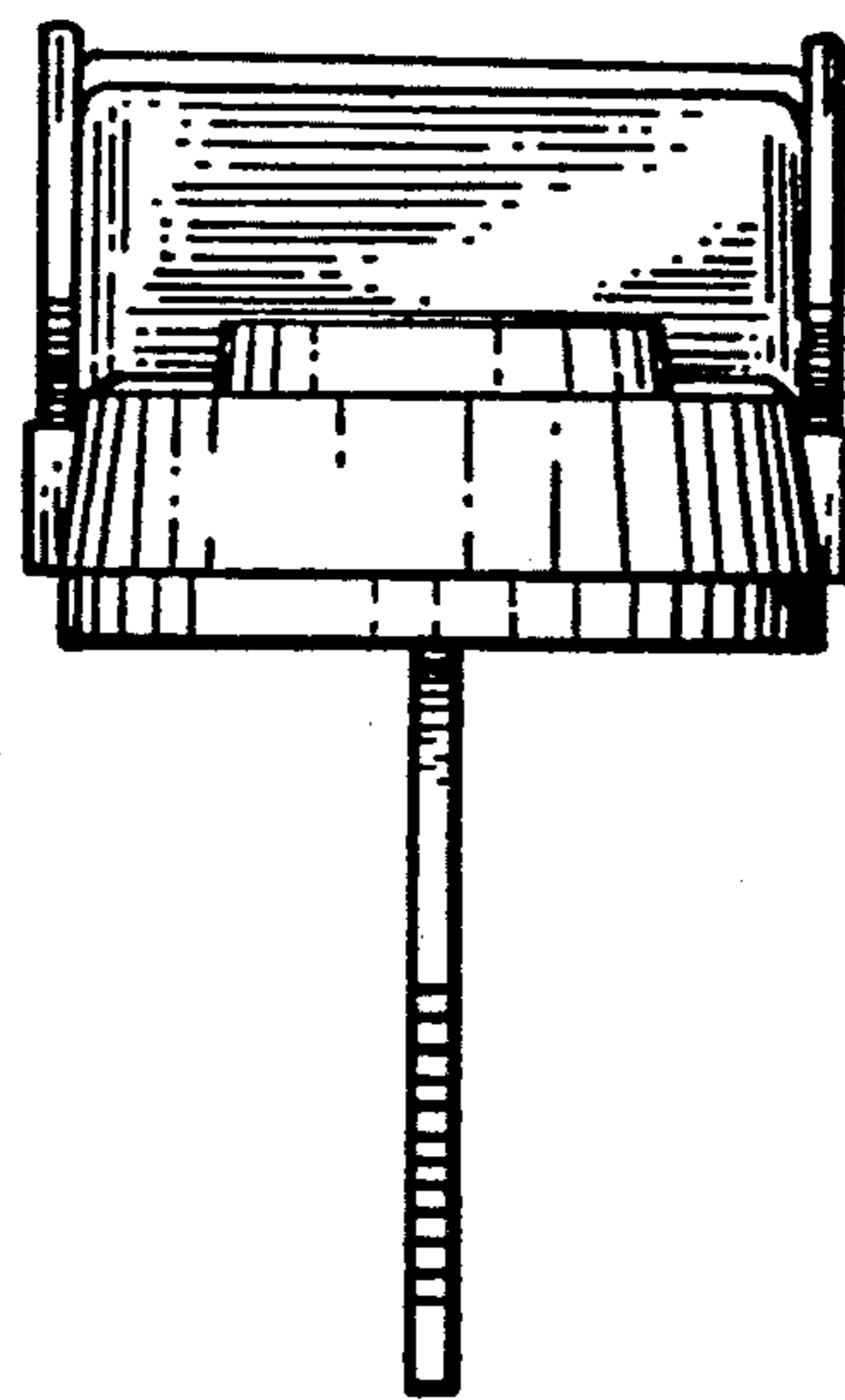
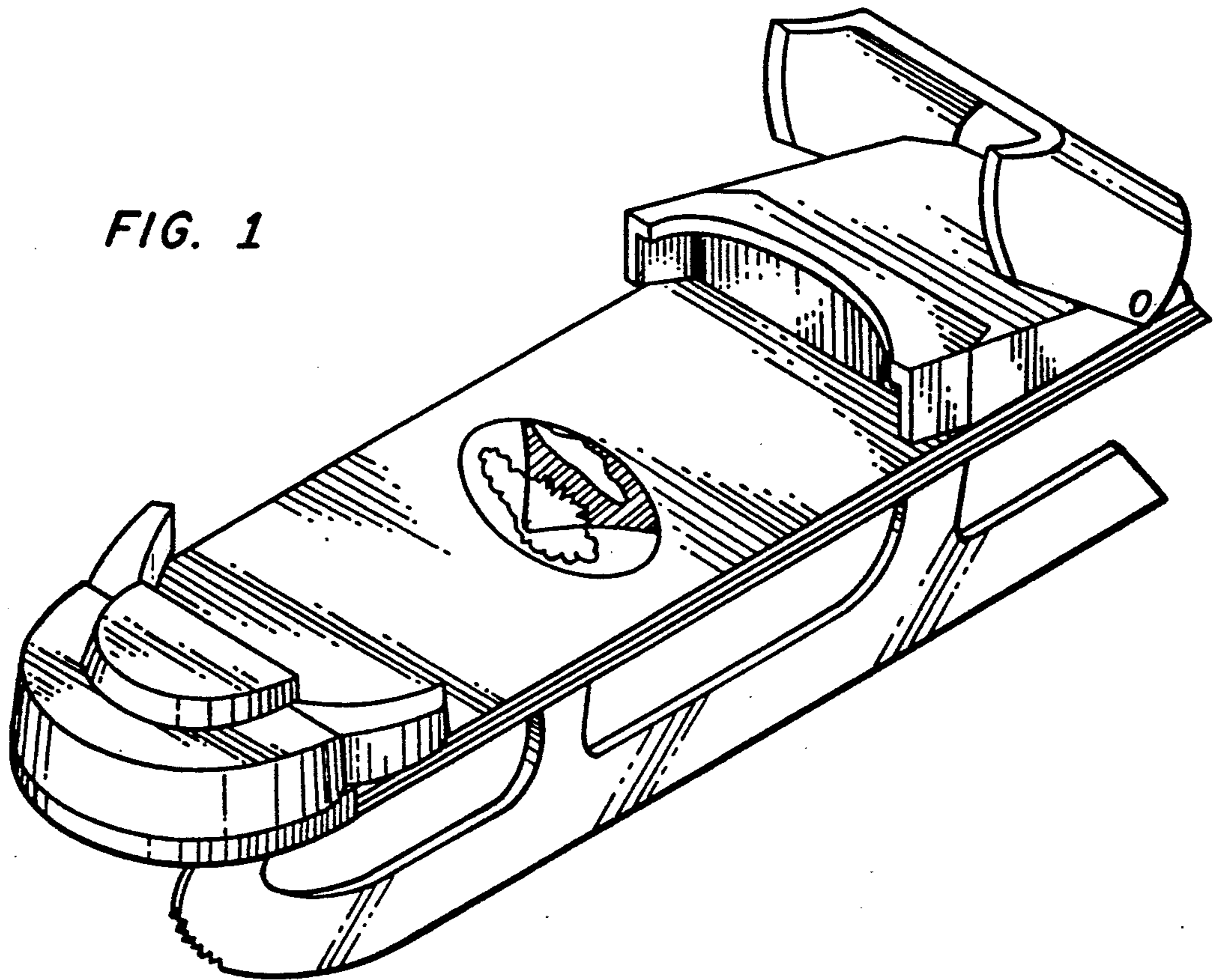


FIG. 2

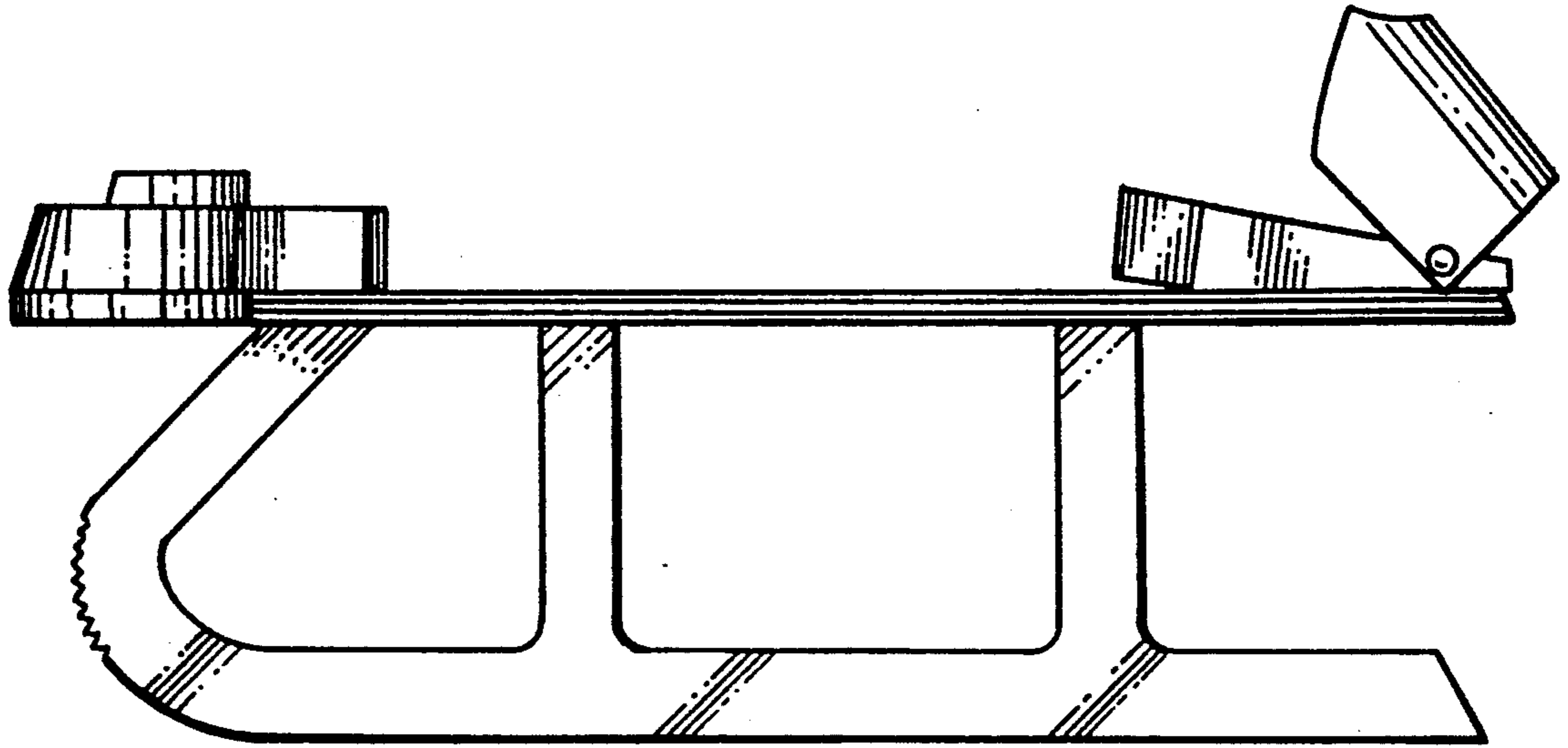


FIG. 4

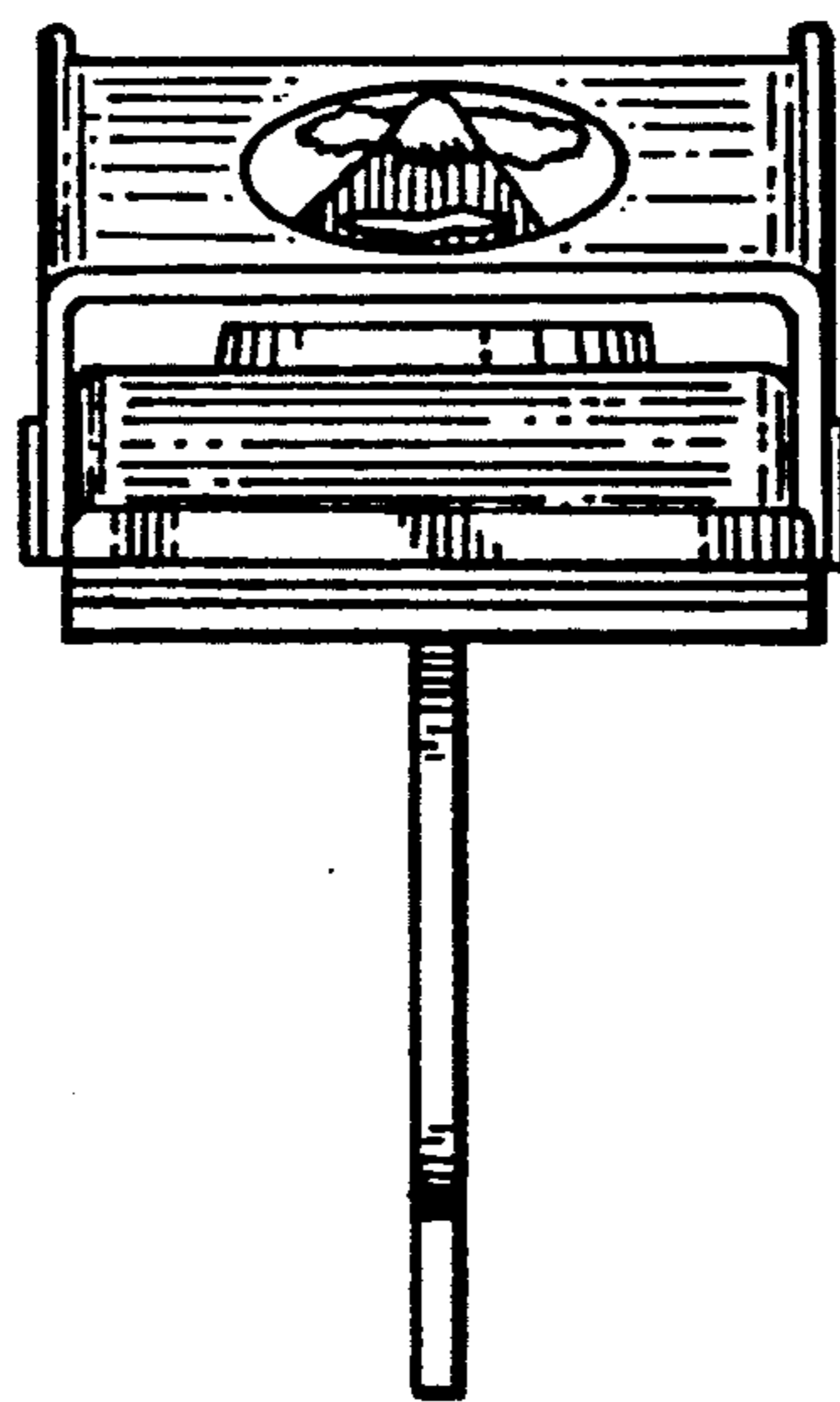


FIG. 3

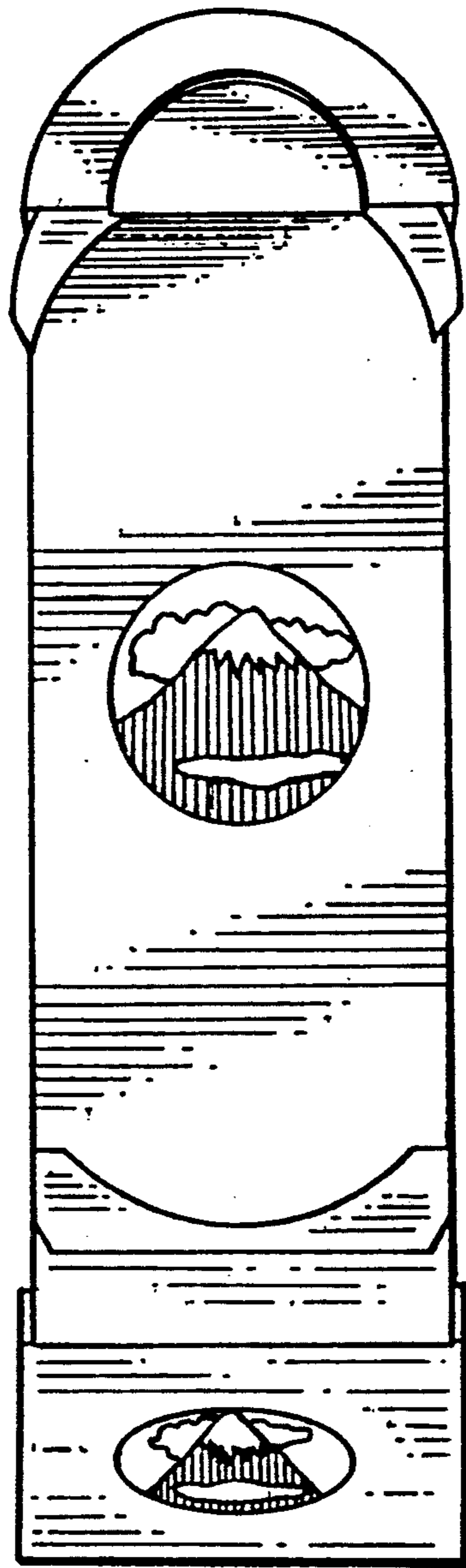


FIG. 6

FIG. 5

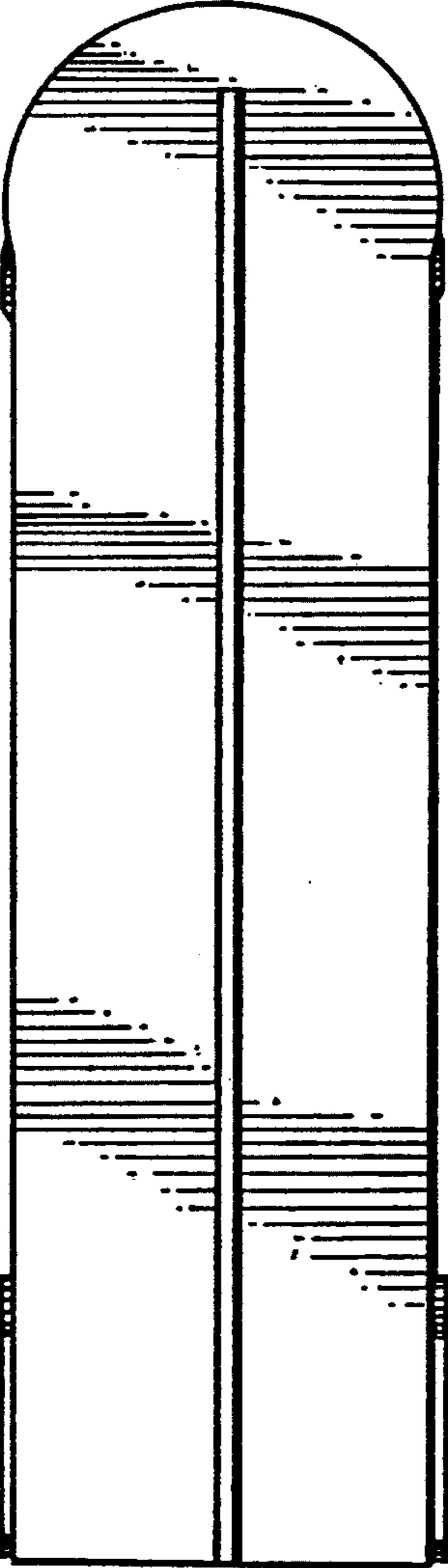
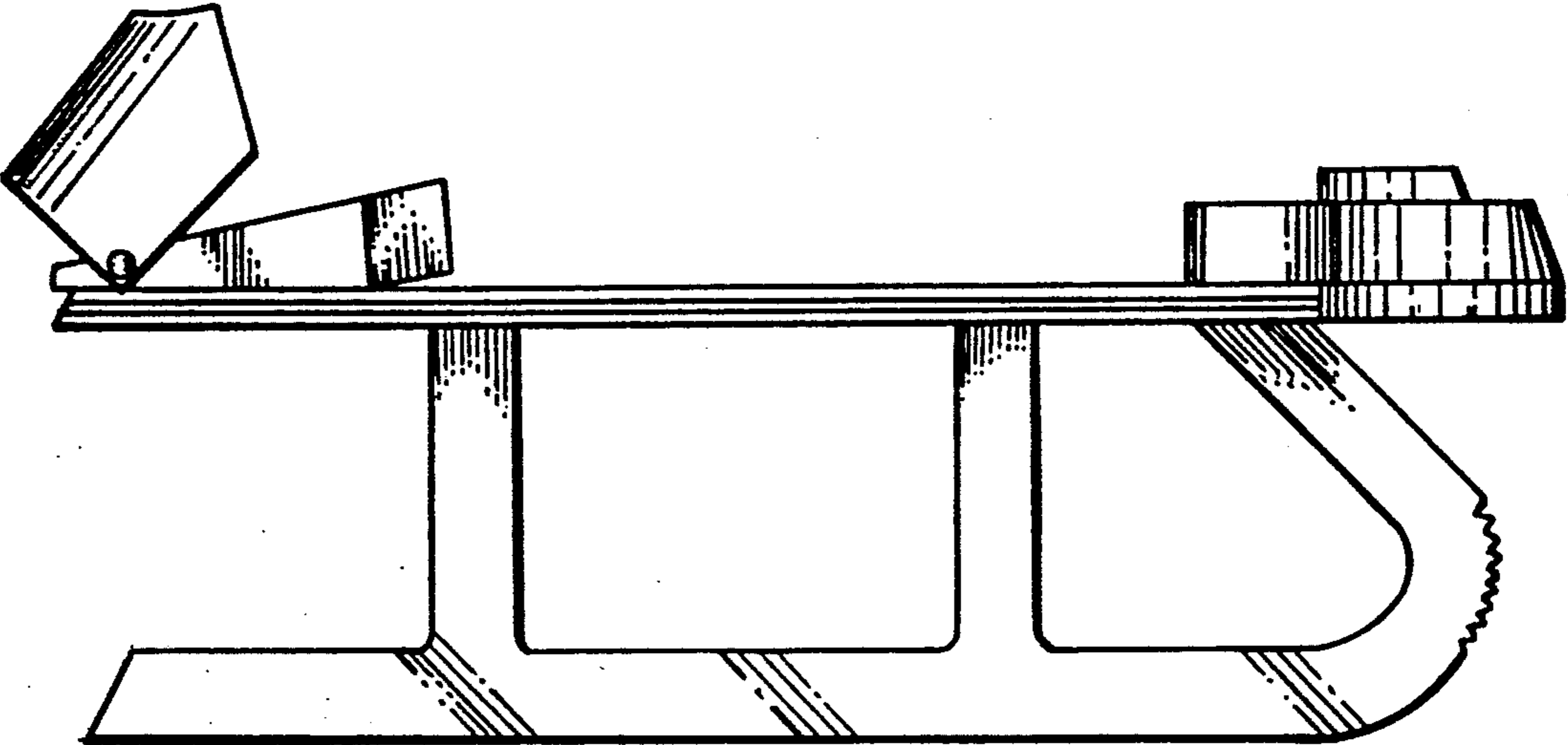


FIG. 7