



US00D328770S

# United States Patent [19]

[11] Patent Number: **Des. 328,770**

Henderson et al.

[45] Date of Patent: \*\* Aug. 18, 1992

[54] **CLIMBING EXERCISER**

[75] Inventors: **William C. Henderson, Bellingham; Paul T. Dunham, Everett; James S. Birrell, Seattle; Timothy O. Armstrong, Bellevue, all of Wash.**

[73] Assignee: **Precor Incorporated, Bothell, Wash.**

[\*\*] Term: **14 Years**

[21] Appl. No.: **559,589**

[22] Filed: **Jul. 30, 1990**

[52] U.S. Cl. .... **D21/195**

[58] Field of Search ..... **D21/191-199; 482/51, 66, 70, 52, DIG. 901**

[56] **References Cited**

**U.S. PATENT DOCUMENTS**

D. 302,451	7/1989	Bull et al. ....	D21/195
D. 304,358	10/1989	Armstrong et al. ....	D21/195
D. 314,597	2/1991	Armstrong et al. ....	D21/195
D. 321,388	11/1991	Dalebout .....	D21/195
D. 324,089	2/1992	Miller .....	D21/191
4,708,338	11/1987	Potts .....	482/52
4,838,543	6/1989	Armstrong et al. ....	272/70

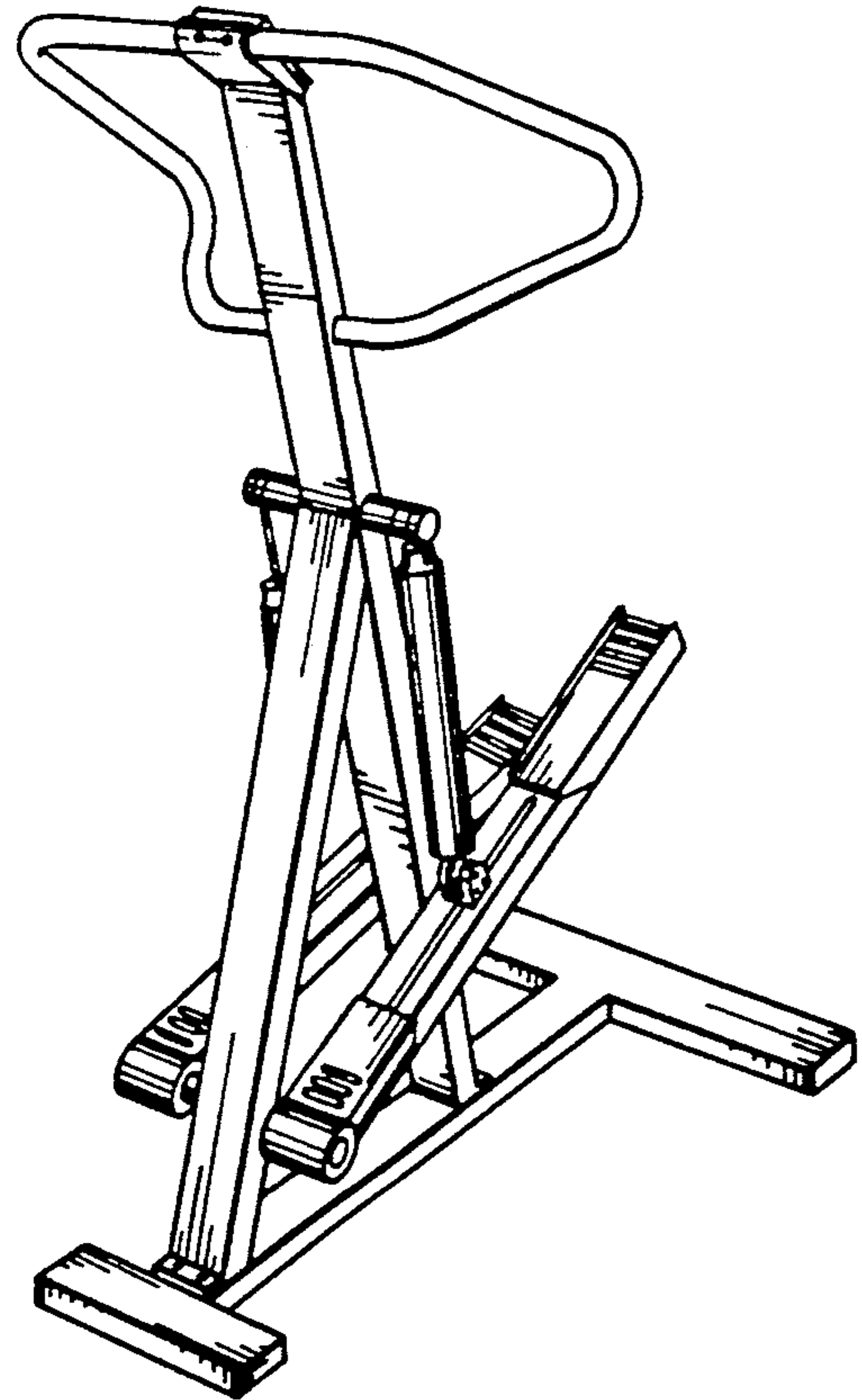
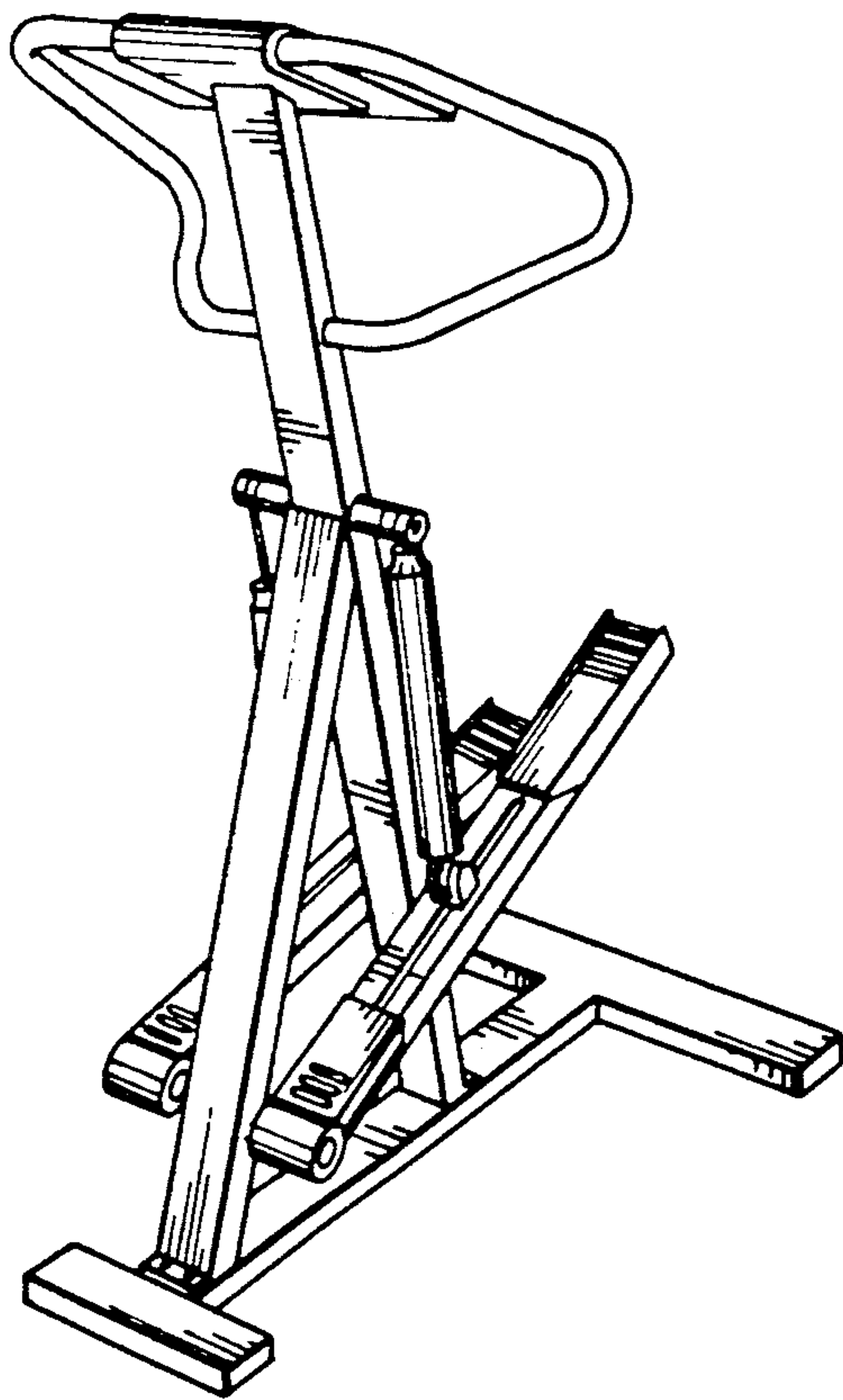
*Primary Examiner*—Charles A. Rademaker  
*Attorney, Agent, or Firm*—Christensen, O'Connor, Johnson & Kindness

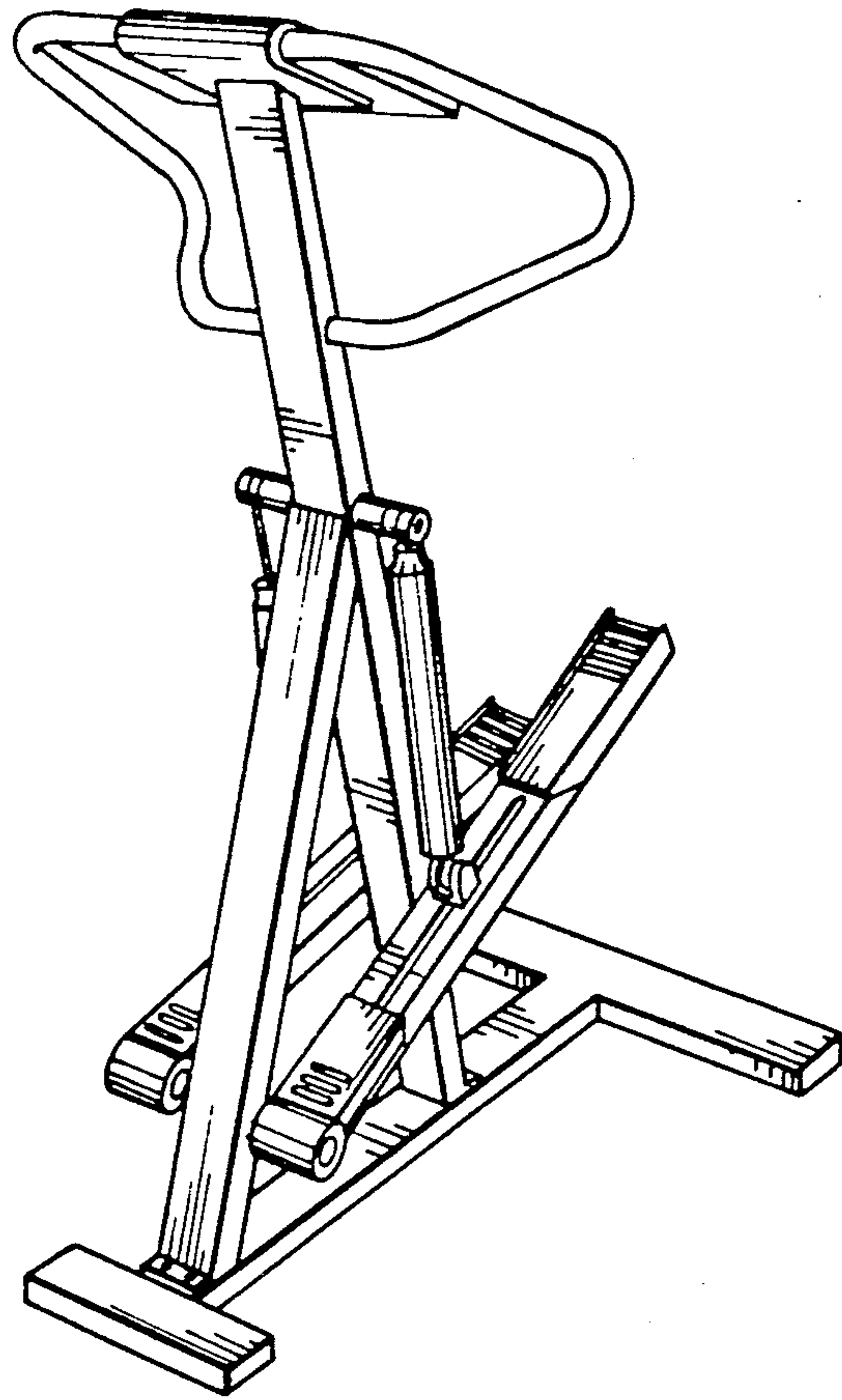
[57] **CLAIM**

The ornamental design for climbing exerciser, as shown and described.

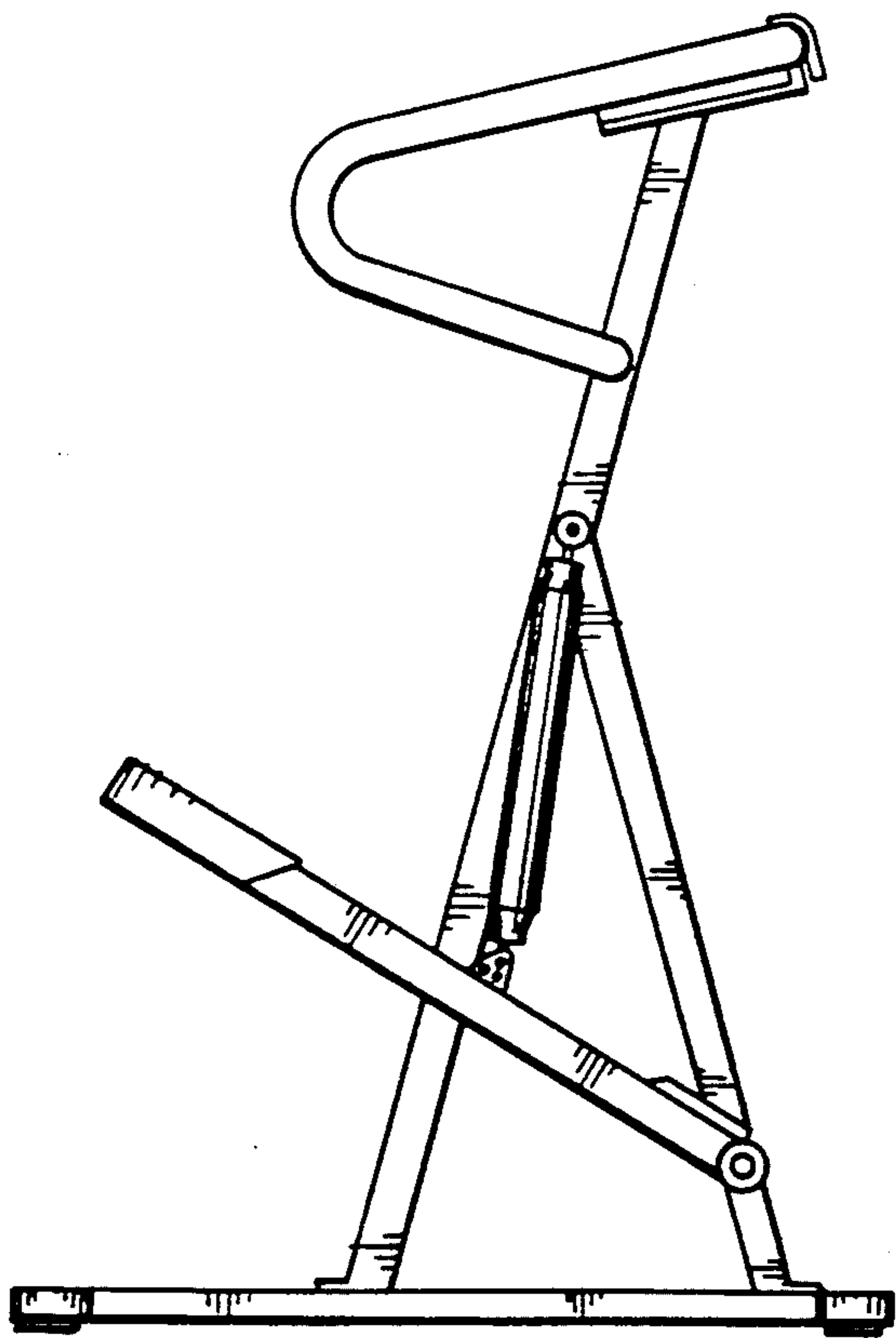
**DESCRIPTION**

FIG. 1 is a front perspective view of a climbing exerciser showing our new design;  
 FIG. 2 is a side elevational view thereof, the side opposite being substantially a mirror image;  
 FIG. 3 is a front elevational view thereof;  
 FIG. 4 is a rear elevational view thereof;  
 FIG. 5 is a top plan view thereof;  
 FIG. 6 is a bottom plan view thereof;  
 FIG. 7 is a front perspective view of a modified embodiment of the design shown in FIGS. 1 through 6;  
 FIG. 8 is a side elevational view thereof, the side opposite being substantially a mirror image;  
 FIG. 9 is a front elevational view thereof;  
 FIG. 10 is a rear elevational view thereof;  
 FIG. 11 is a top plan view thereof; and,  
 FIG. 12 is a bottom plan view thereof.

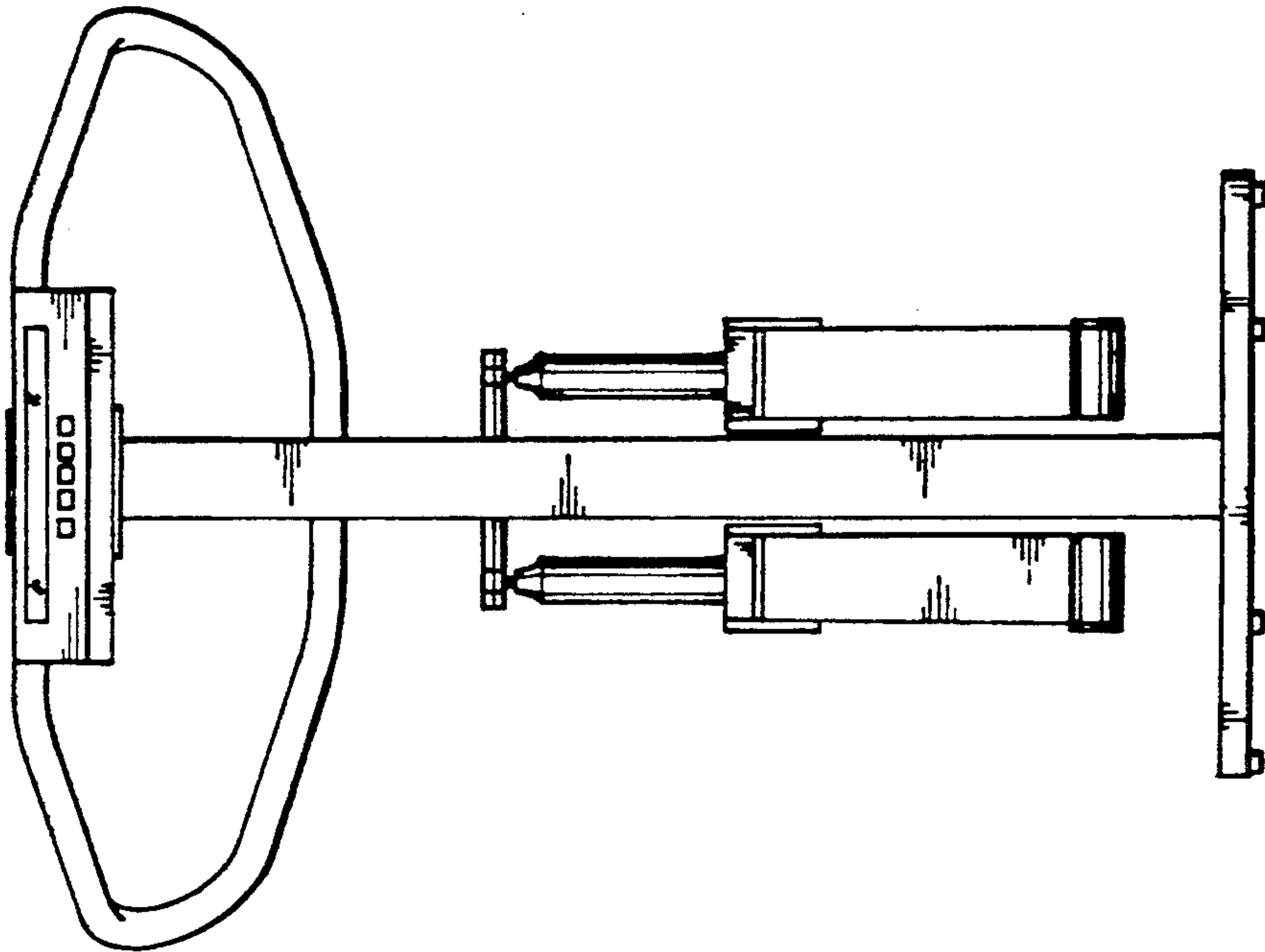




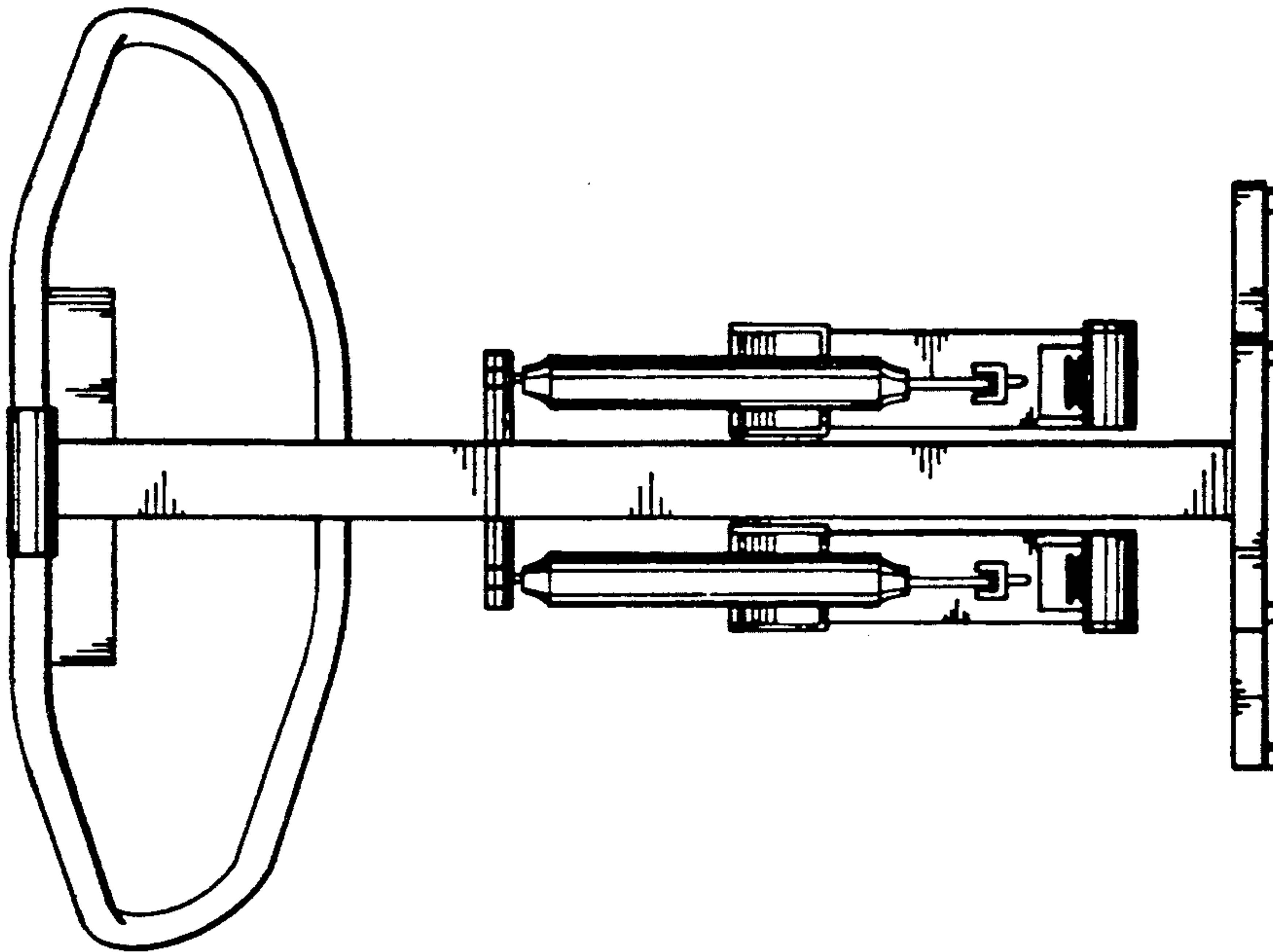
*Fig. 1.*



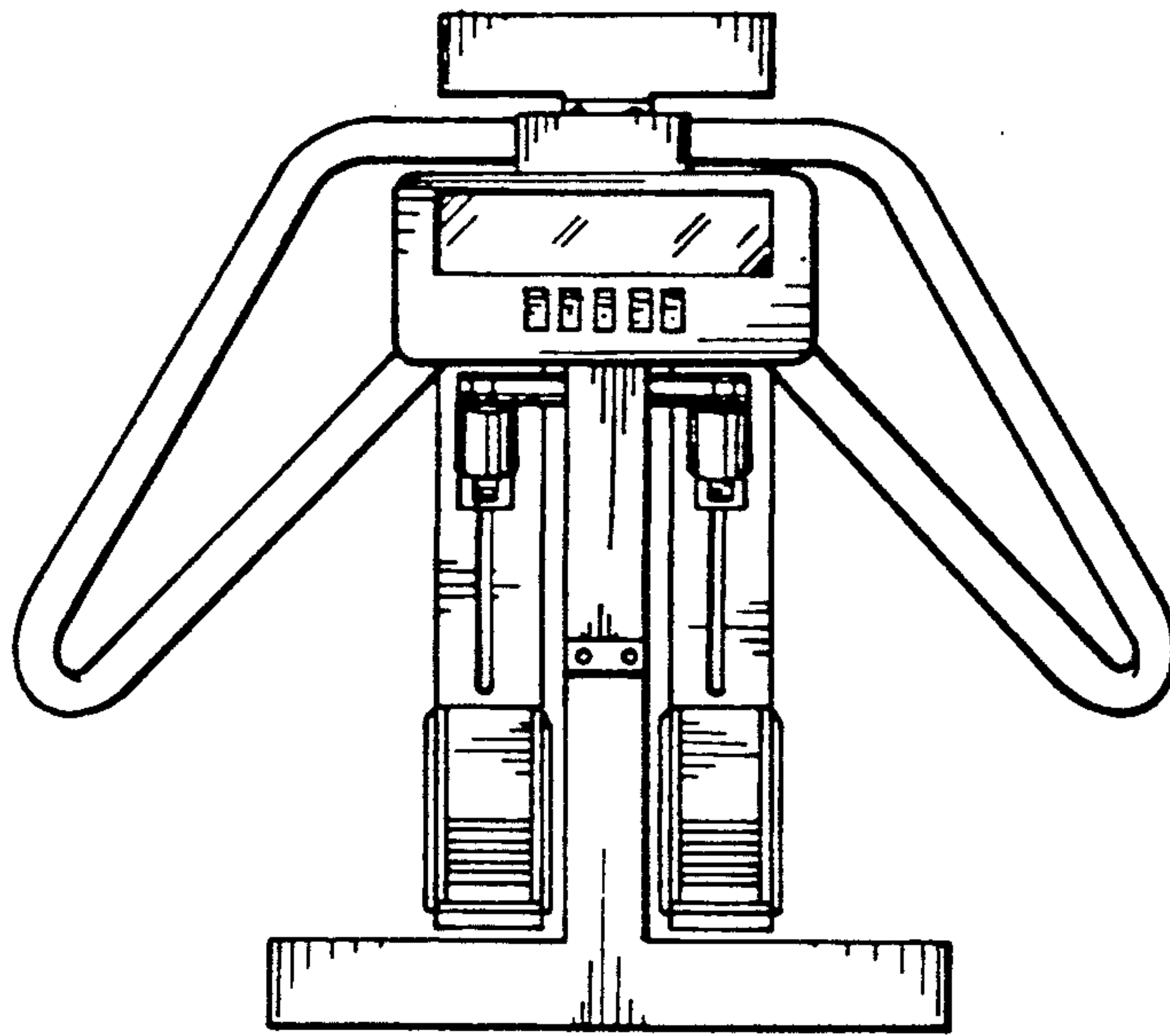
*Fig. 2.*



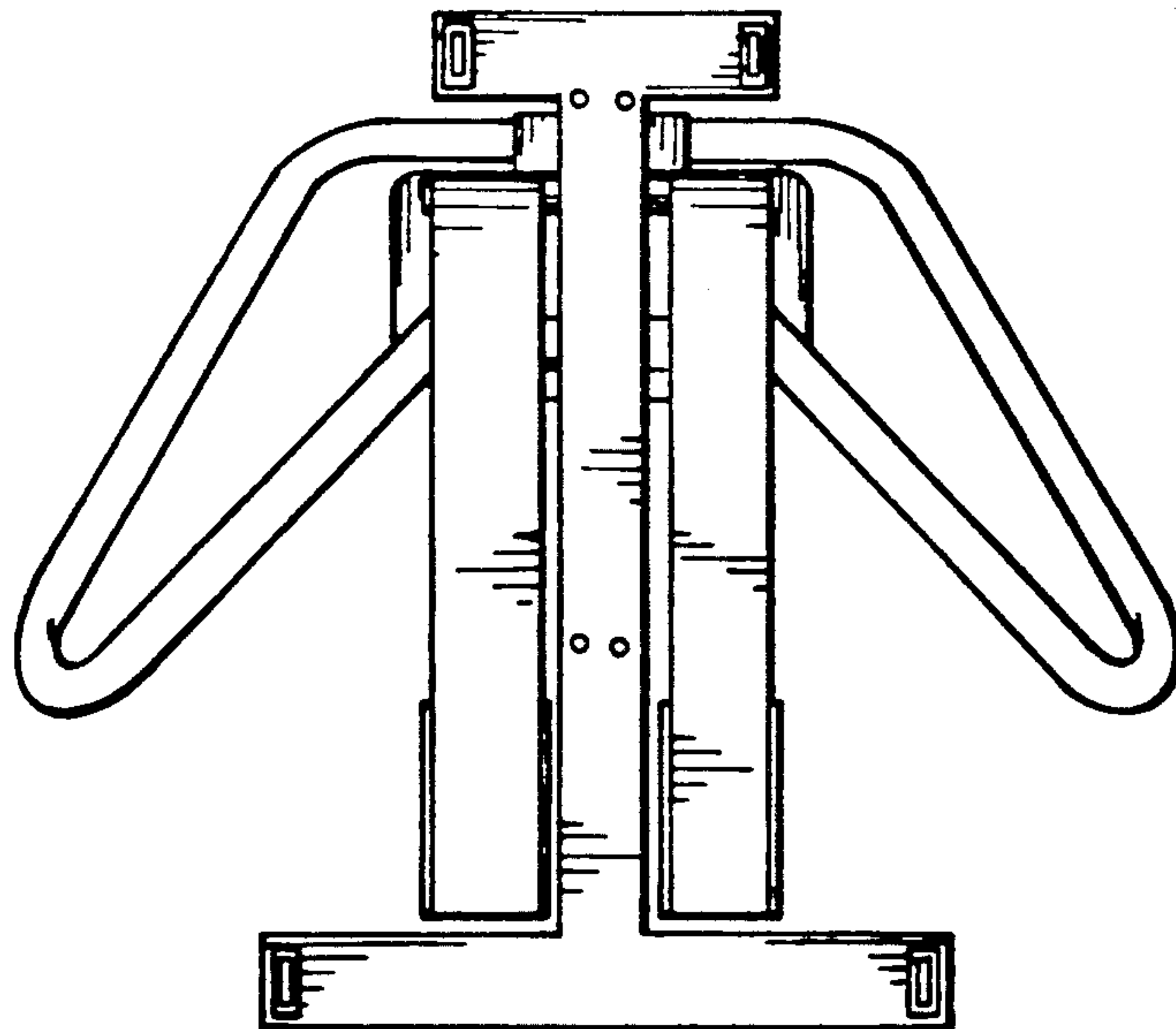
*Fig. 4.*



*Fig. 5.*

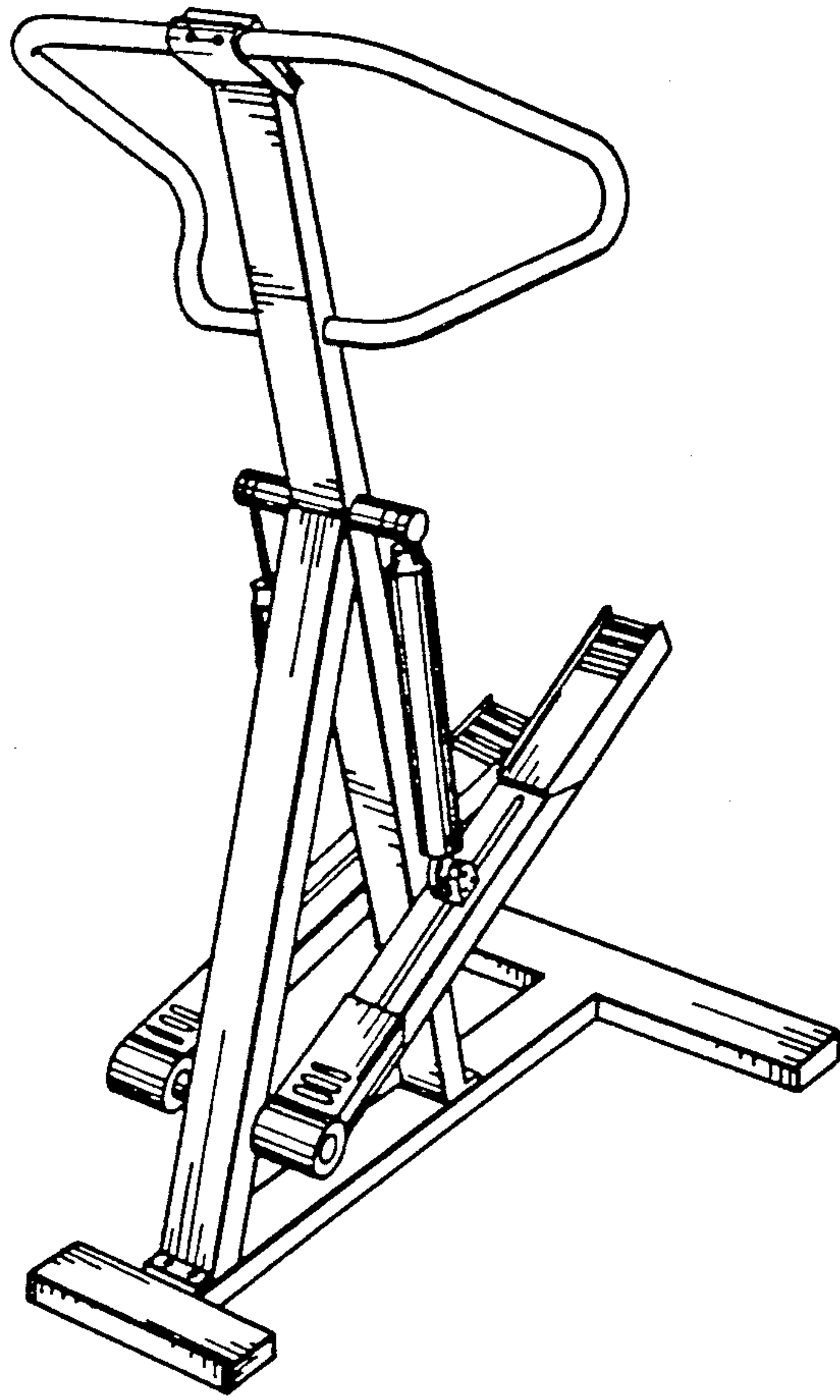


*Fig. 5.*

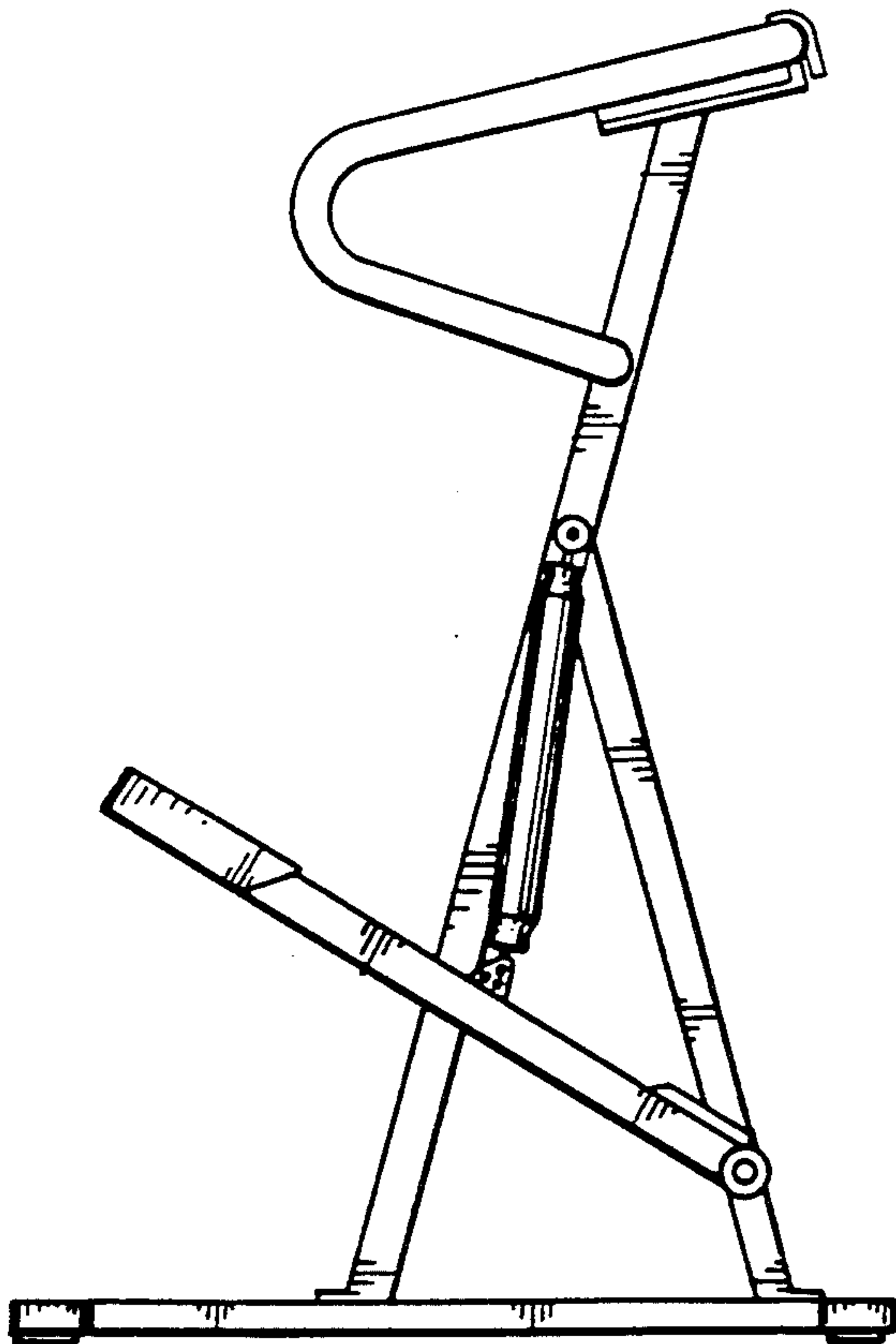


*Fig. 6.*

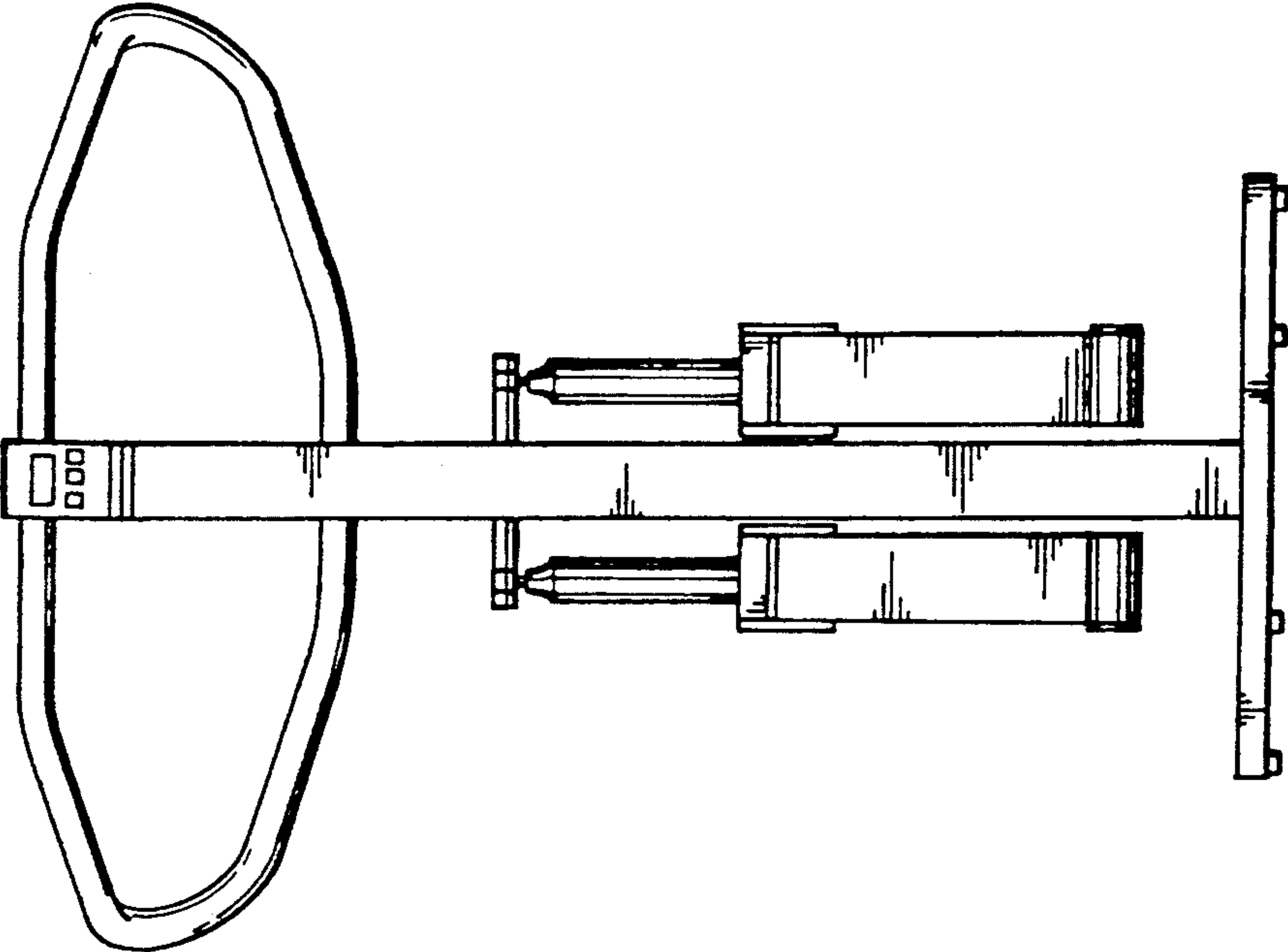




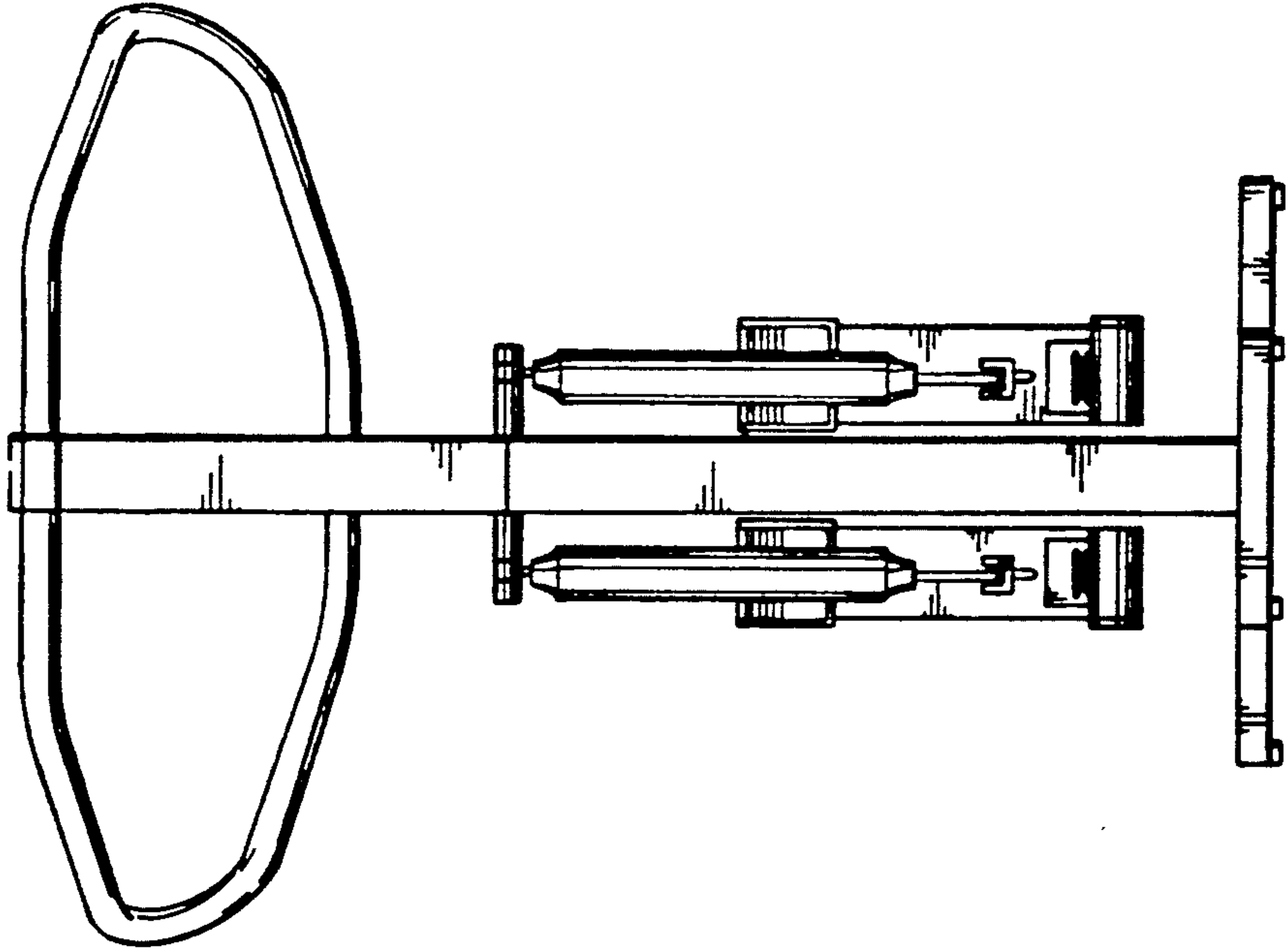
*Fig. 7.*



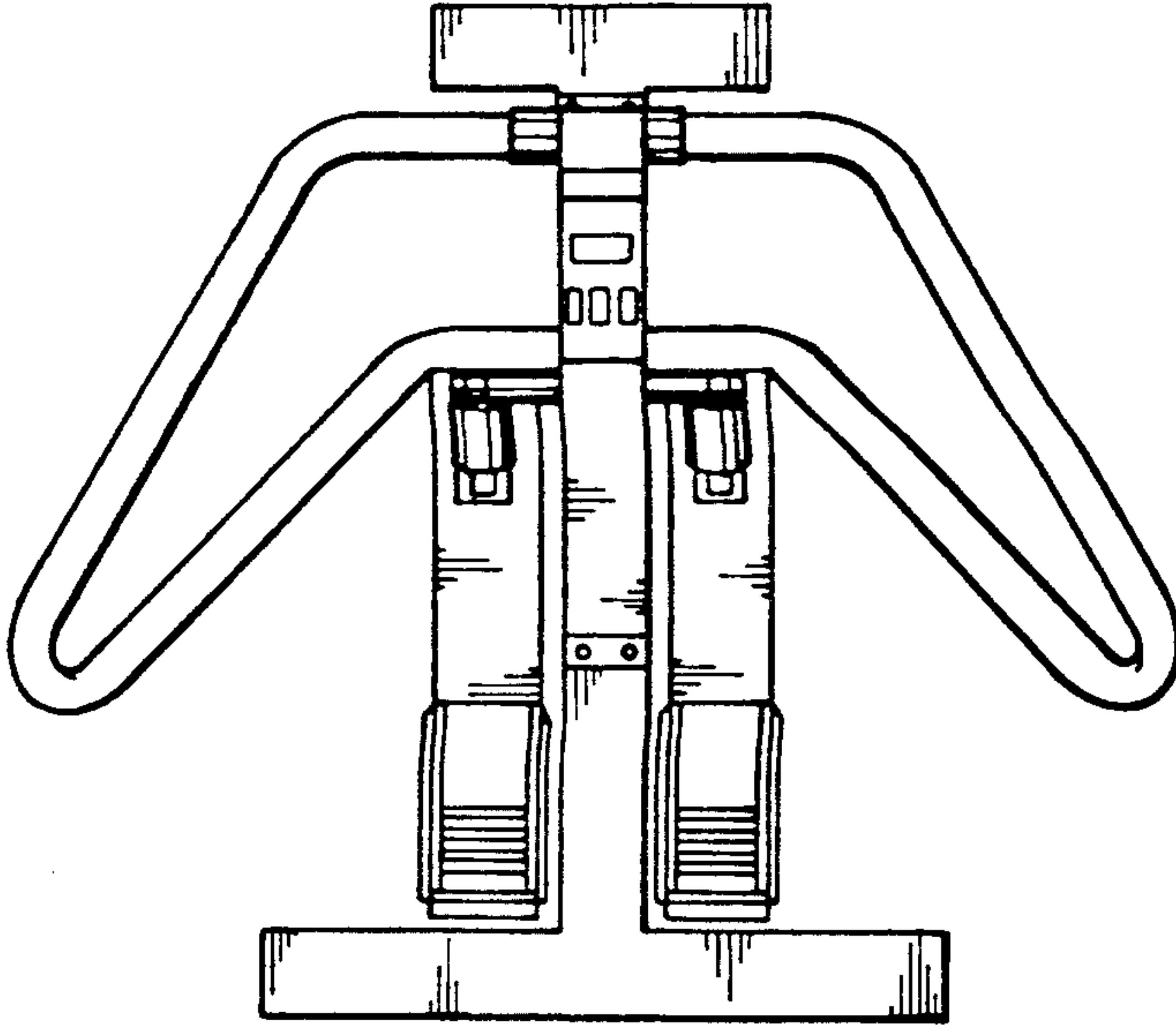
*Fig. 8.*



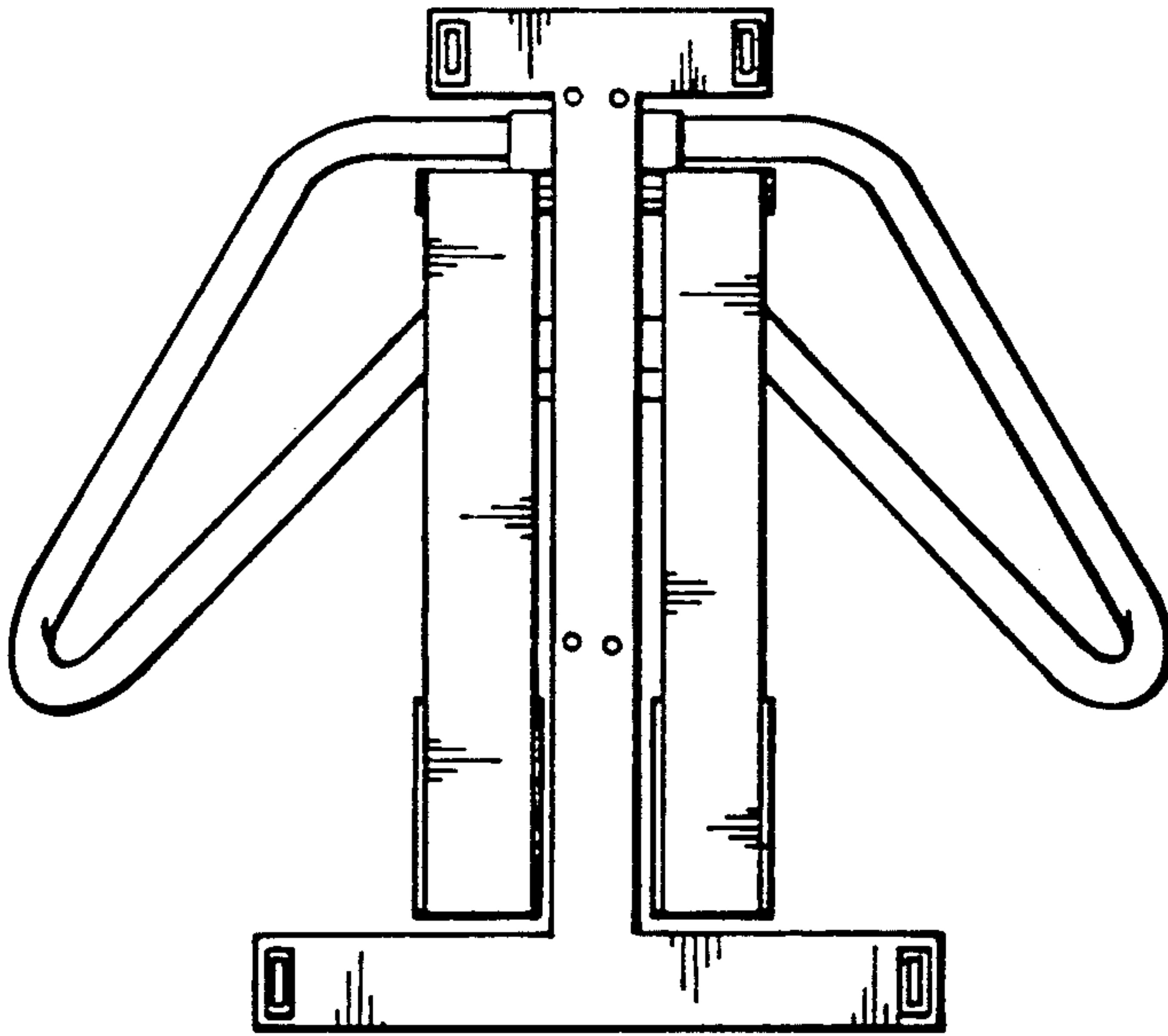
*Fig. 10.*



*Fig. 9.*



*Fig. 11.*



*Fig. 12.*