



US00D328769S

United States Patent [19]

[11] Patent Number: **Des. 328,769**

Hsieh

[45] Date of Patent: **** Aug. 18, 1992**

[54] **BASE FOR A SKI EXERCISER**

4,869,496 9/1989 Colombo 272/97

[75] Inventor: **Yi F. Hsieh, Succasunna, N.J.**

4,948,121 8/1990 Haaheim et al. 482/70

5,064,190 11/1991 Holt 482/70

[73] Assignee: **LifeGear, Inc., Rockaway, N.J.**

[**] Term: **14 Years**

OTHER PUBLICATIONS

"Fine Exercise Equipment for Your Home"—brochure of Fitness Master, Inc. 1990.

[21] Appl. No.: **835,143**

Primary Examiner—Charles A. Rademaker

Attorney, Agent, or Firm—David L. Davis

[22] Filed: **Feb. 12, 1992**

[52] U.S. Cl. **D21/191**

[58] Field of Search **D21/191-199;**
482/70, 54, 142, 66, 77, 76, 55; D25/136-137

[57] CLAIM

The ornamental design for a base for a ski exerciser, as shown and described.

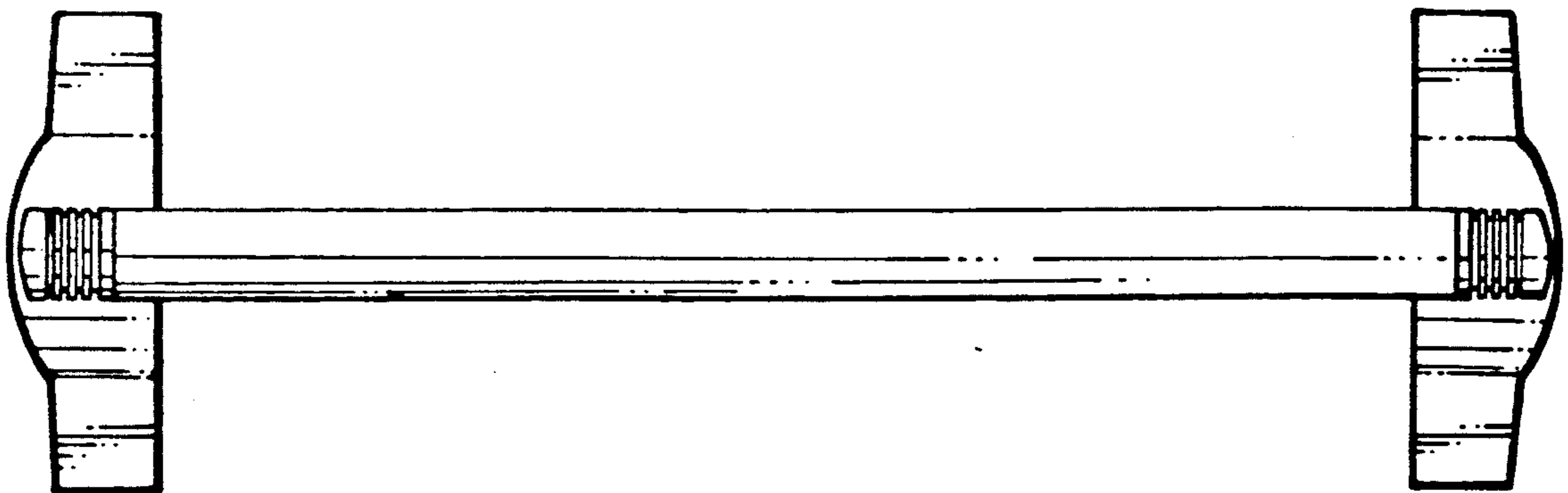
[56] References Cited

U.S. PATENT DOCUMENTS

D. 299,369	1/1989	Smith et al.	D21/191
D. 303,131	8/1989	Lo	D21/191
D. 315,764	3/1991	Friedebach	D21/191
4,618,139	10/1986	Haaheim	482/70
4,743,015	5/1988	Marshall	272/97
4,804,178	2/1989	Friedebach	482/70
4,813,667	3/1989	Watterson	272/97
4,826,152	5/1989	Lo	482/70
4,867,443	9/1989	Jensen	482/70

DESCRIPTION

FIG. 1 is a perspective view of a base for a ski exerciser showing my new design;
FIG. 2 is a top plan view thereof;
FIG. 3 is a front elevational view thereof, the side opposite being substantially identical; and,
FIG. 4 is a left side elevational view thereof, the side opposite being substantially identical.
The broken lines shown in FIG. 1 represent environment only and form no part of the claimed design.



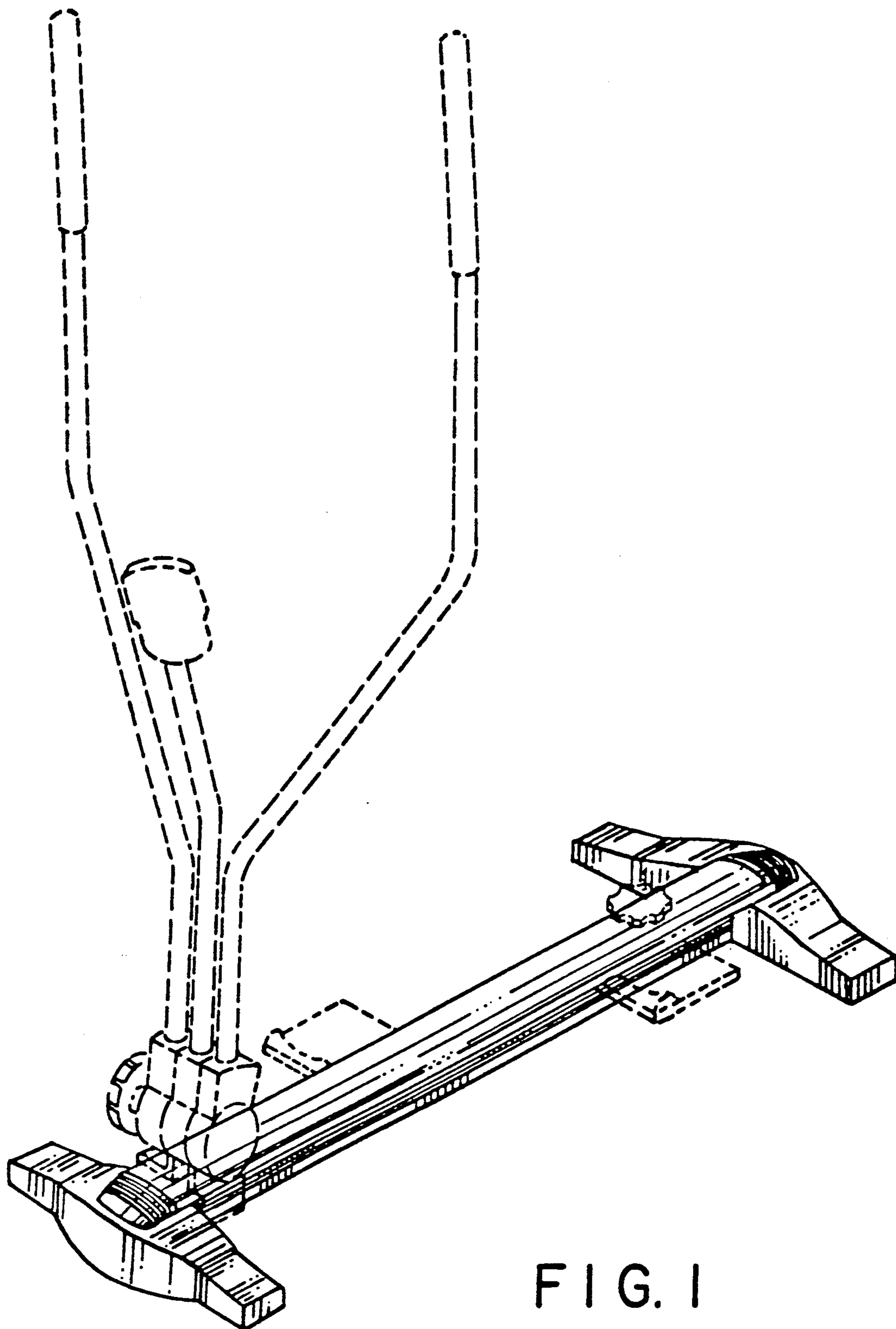


FIG. 1

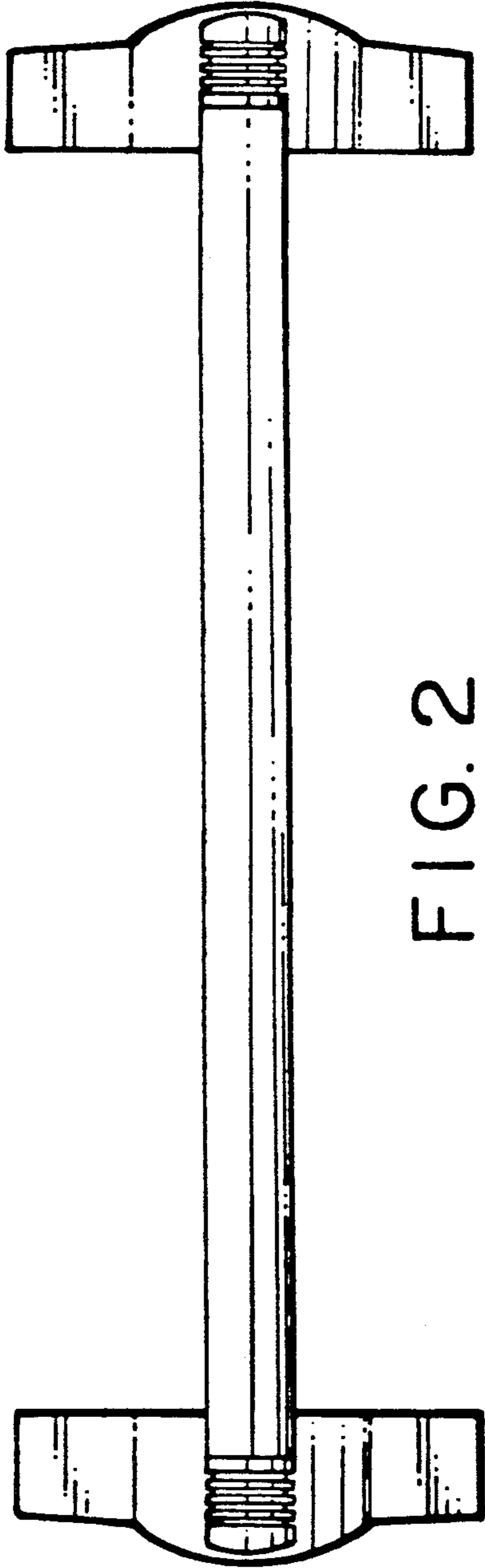


FIG. 2

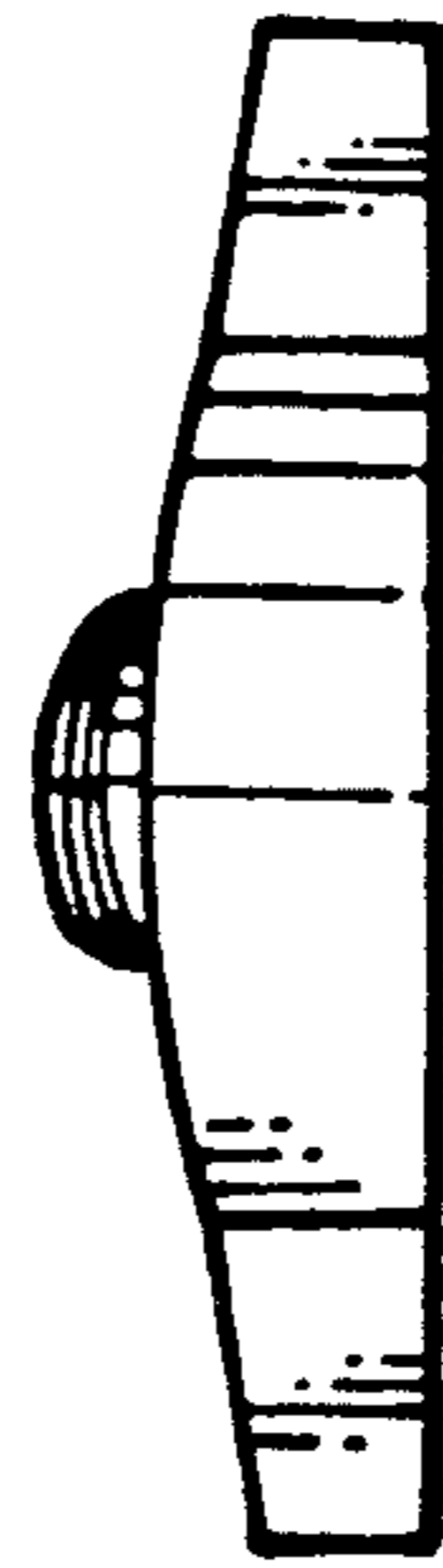


FIG. 3

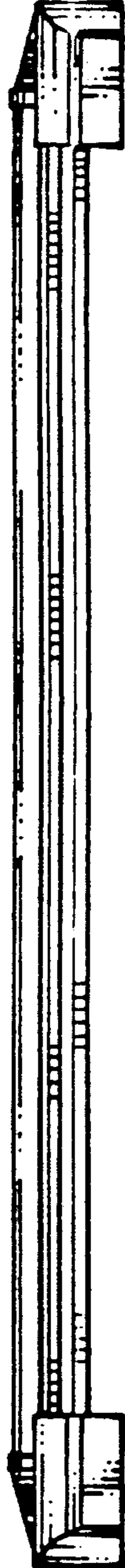


FIG. 4