



US00D328764S

United States Patent [19]

[11] Patent Number: **Des. 328,764**

Klitsner

[45] Date of Patent: ** Aug. 18, 1992

[54] TOY CATAPULT

[75] Inventor: Daniel B. Klitsner, San Francisco, Calif.

[73] Assignee: Discovery Toys, Inc., Martinez, Calif.

[**] Term: 14 Years

[21] Appl. No.: 500,317

[22] Filed: Mar. 27, 1990

[52] U.S. Cl. D21/2

[58] Field of Search D21/2, 3, 210, 221; 273/343, 346, 317, 323, 340, 323

3,565,432	2/1971	Reiner	273/317 X
3,664,670	5/1972	Glass .	
3,715,121	2/1973	Renn .	
4,583,743	4/1986	Macek	273/343 X
4,949,973	8/1990	Williamson	273/346 X

Primary Examiner—Bernard Ansher
Assistant Examiner—Prabhakar Deshmukh
Attorney, Agent, or Firm—Townsend and Townsend

[57] CLAIM

The ornamental design for a toy catapult, as shown and described.

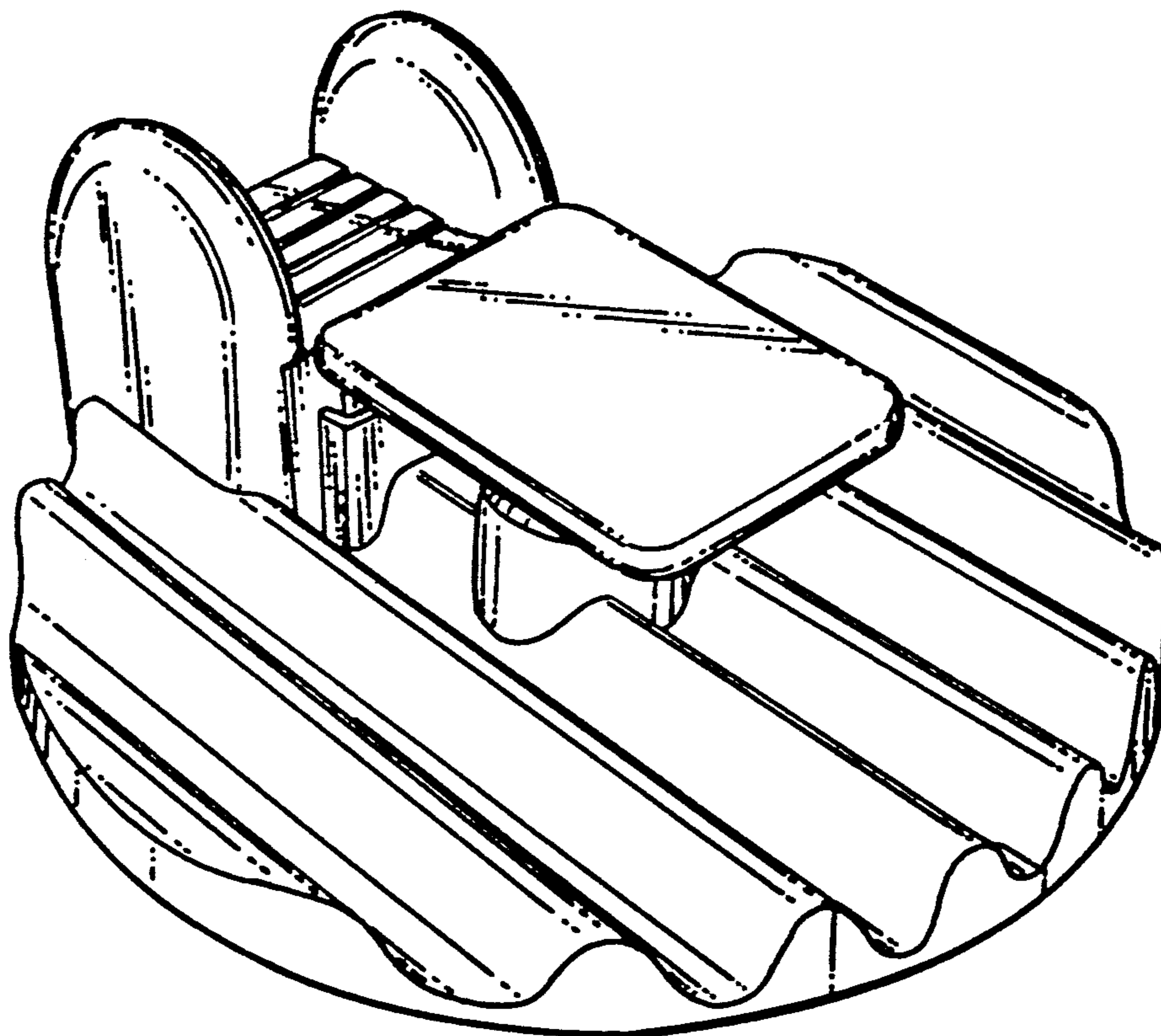
DESCRIPTION

FIG. 1 is a perspective view of a toy catapult showing my new design;
FIG. 2 is a top plan view thereof;
FIG. 3 is a front elevational view thereof;
FIG. 4 is a right side elevational view thereof, the left side elevational view being a mirror image;
FIG. 5 is a rear elevational view thereof; and,
FIG. 6 is a bottom plan view thereof.

[56] References Cited

U.S. PATENT DOCUMENTS

D. 250,361	11/1978	James	D21/210
D. 288,215	2/1987	Tami	D21/2
D. 301,591	6/1989	Herold	D21/2 X
1,440,454	1/1923	Ganthier .	
2,234,617	3/1941	Beck .	
3,445,114	5/1969	Fernandez .	



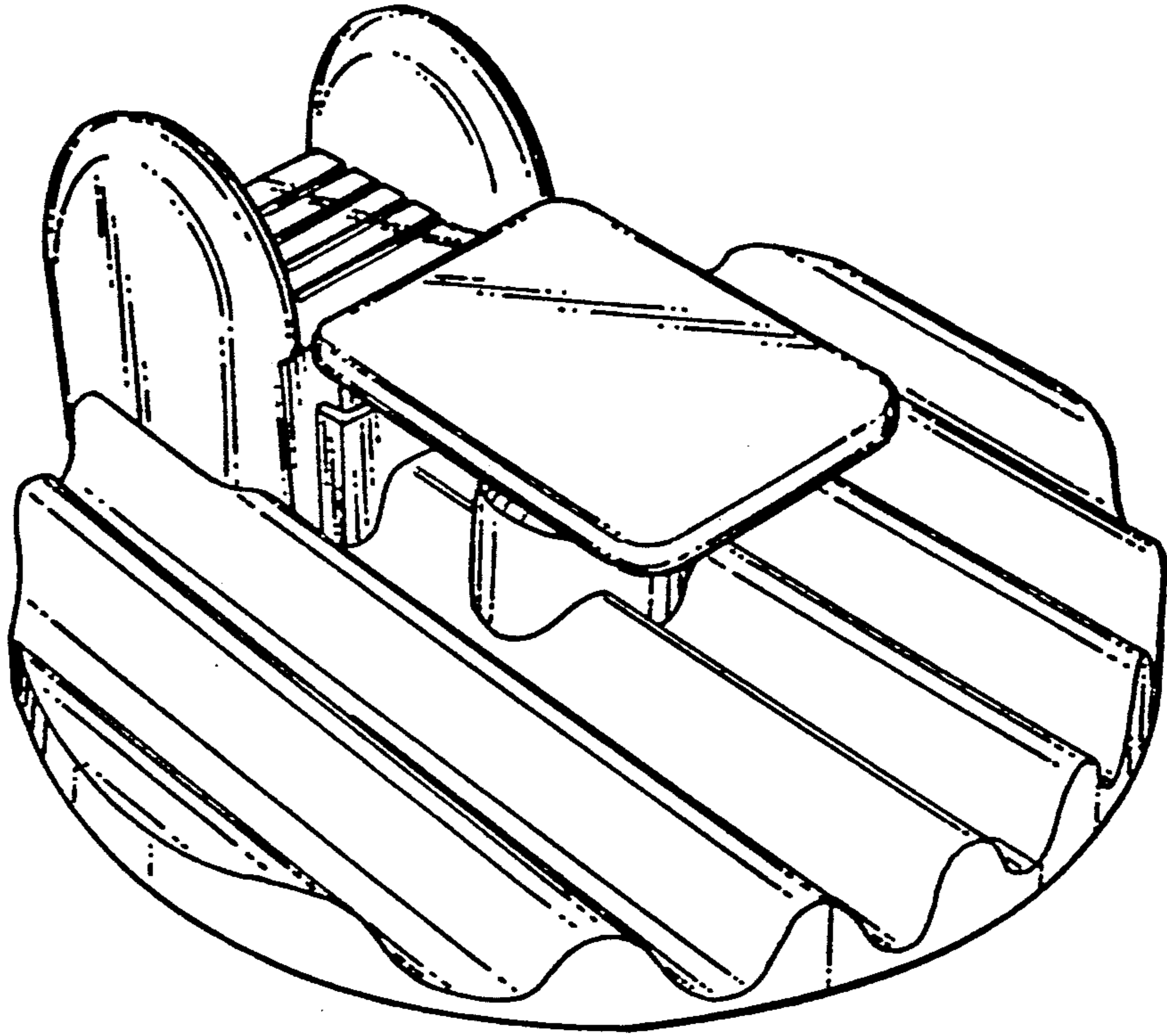


FIG. 1.

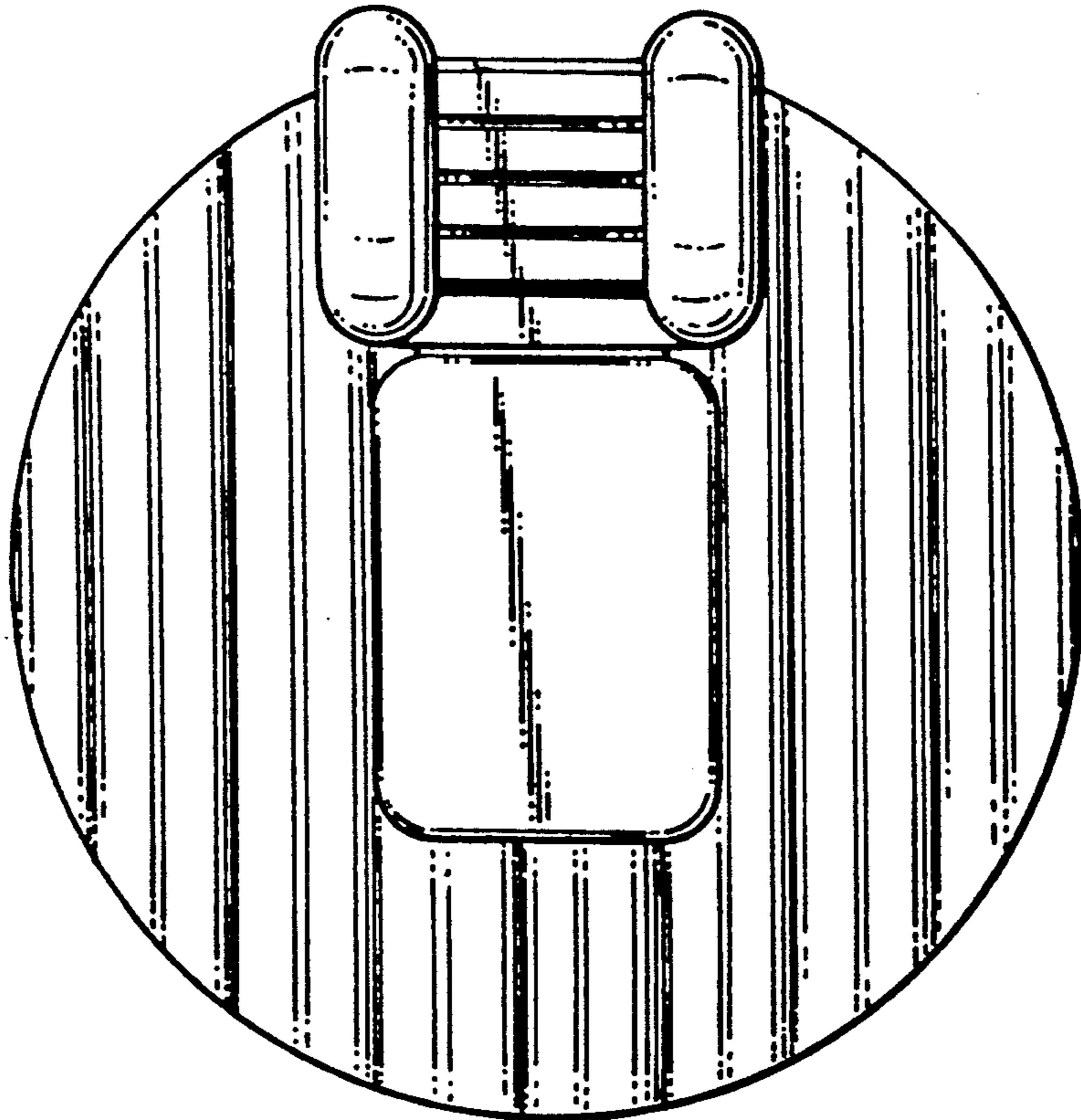


FIG. 2.

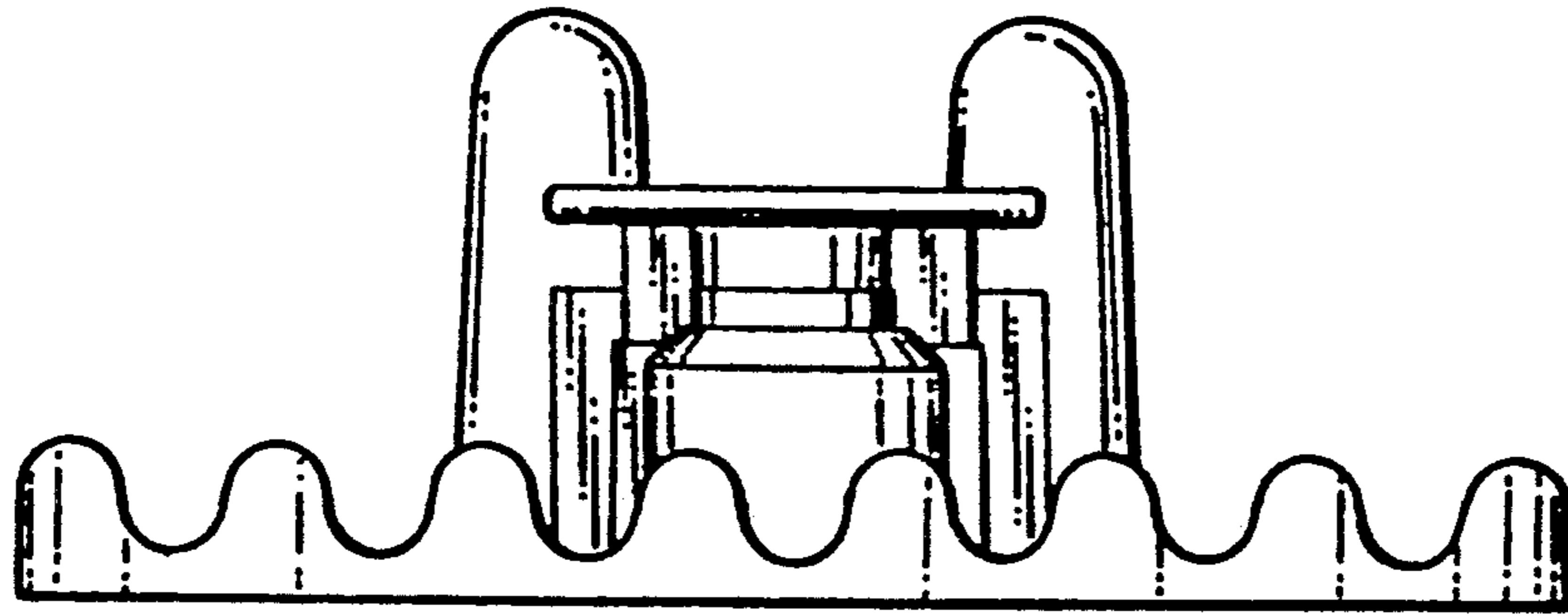


FIG. 3.

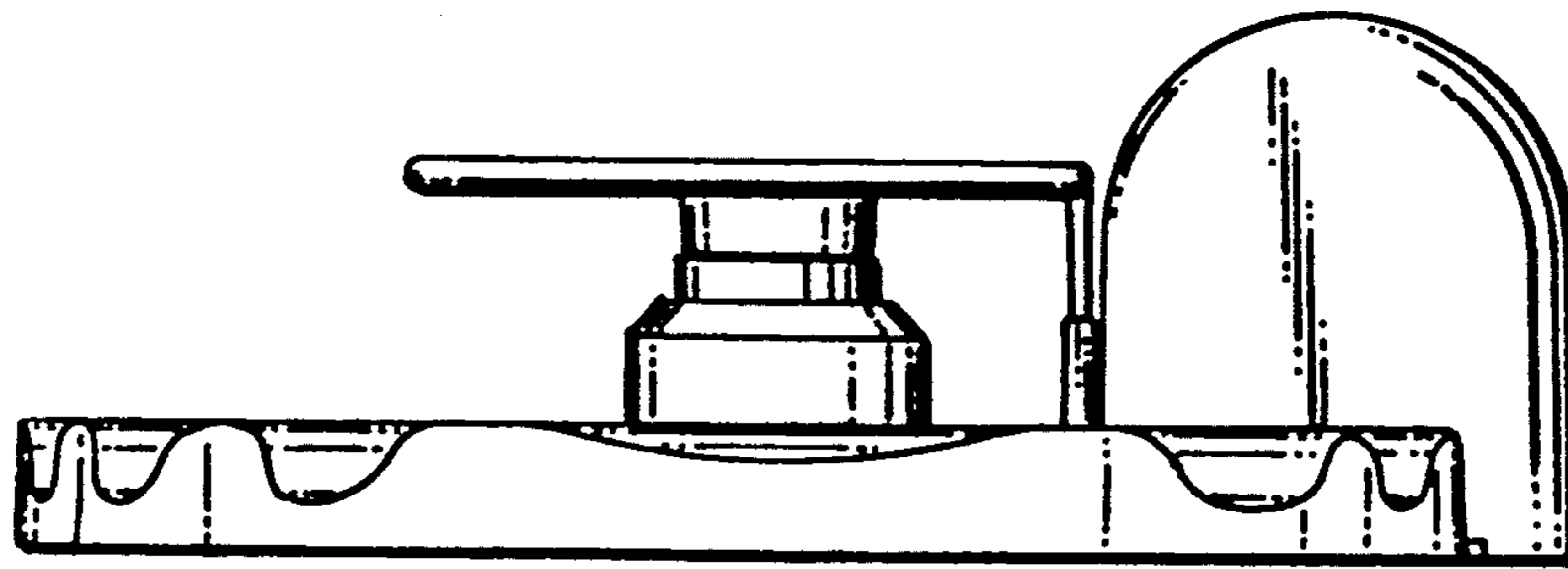


FIG. 4.

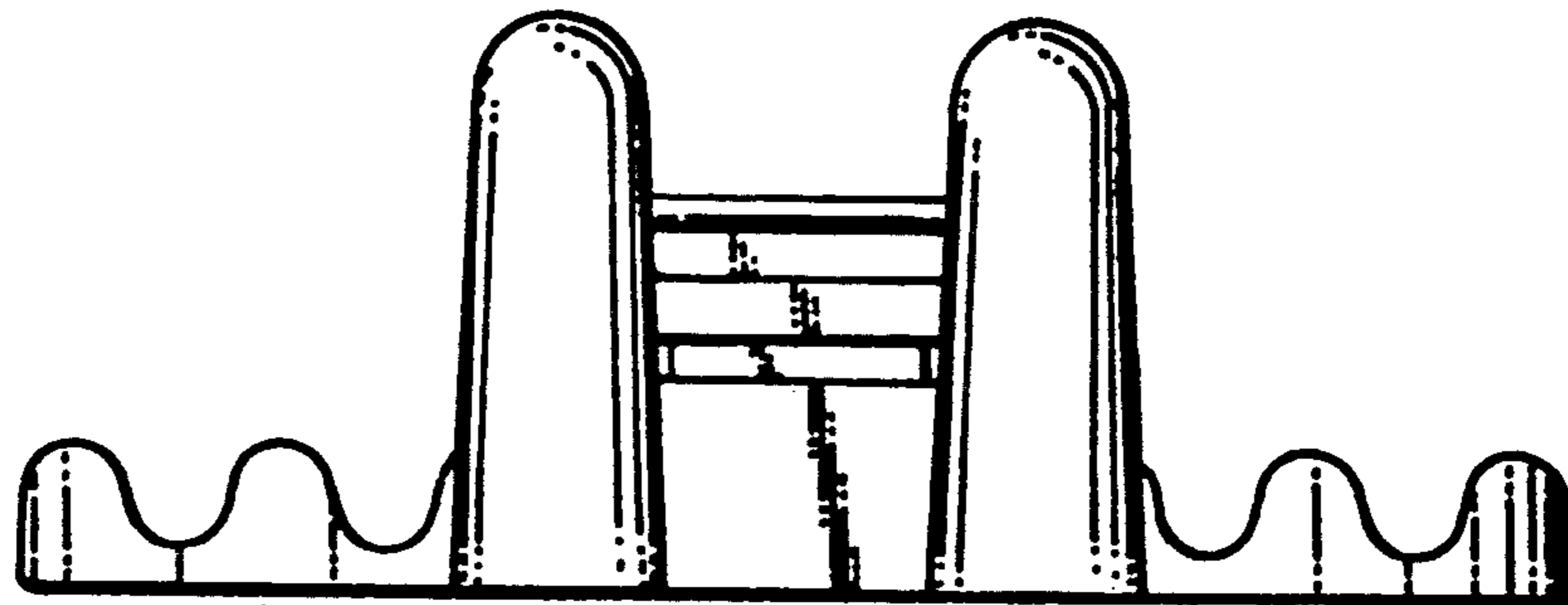


FIG. 5.

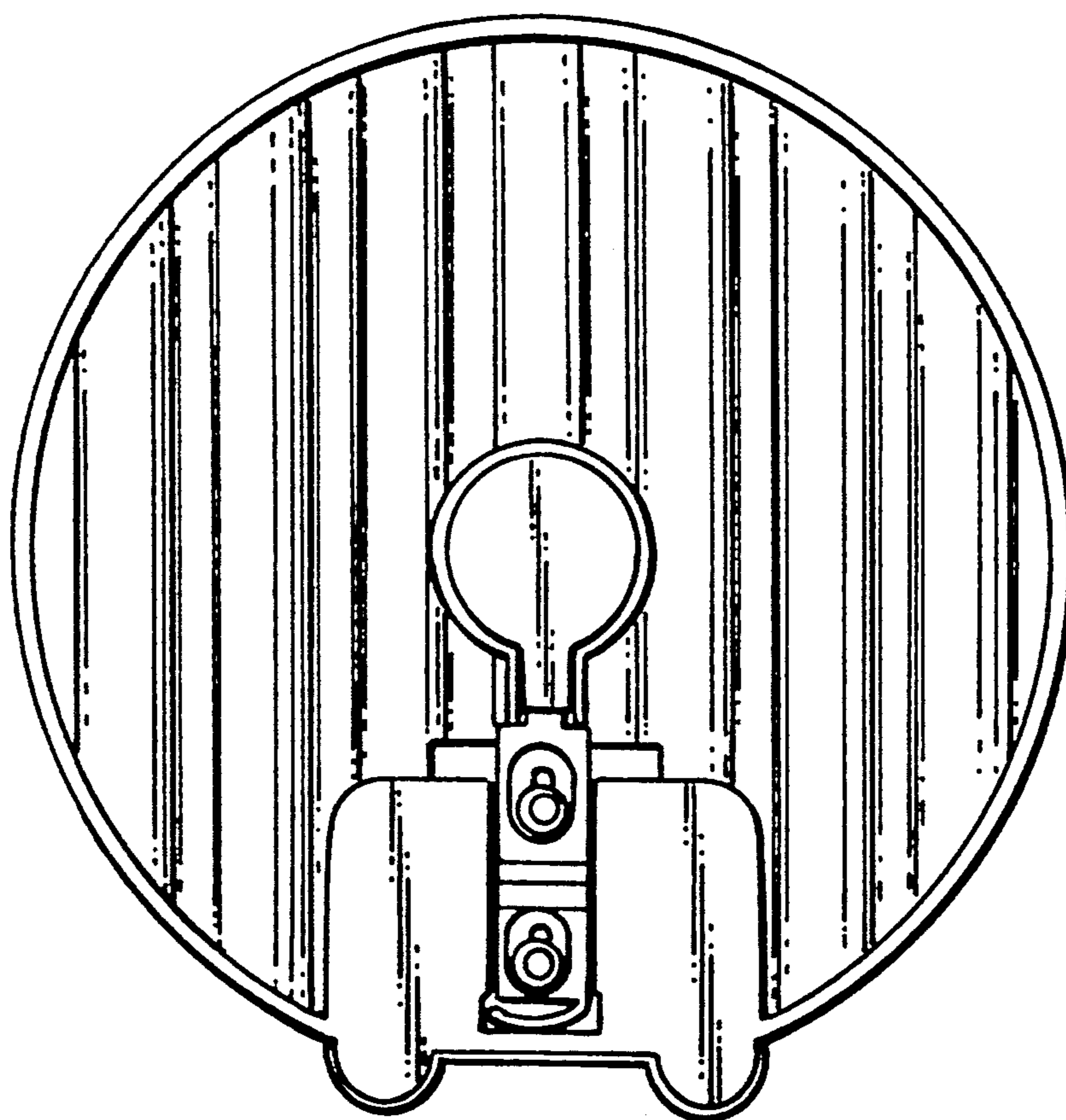


FIG. 6.