



US00D328751S

United States Patent [19]

[11] Patent Number: **Des. 328,751**

Bohrer

[45] Date of Patent: **** Aug. 18, 1992**

[54] **JIG SAW**

4,813,322	3/1989	Rice	83/783 X
4,841,823	6/1989	Brundage	83/783 X
4,949,616	8/1990	Chang	83/782 X

[75] Inventor: **Stephen P. Bohrer, St. Louis, Mo.**

[73] Assignee: **Laborsaber, Inc., St. Louis, Mo.**

[**] Term: **14 Years**

Primary Examiner—Donald P. Walsh
Assistant Examiner—Antoine D. Davis
Attorney, Agent, or Firm—Kalish & Gilster

[21] Appl. No.: **763,754**

[57] **CLAIM**

[22] Filed: **Sep. 20, 1991**

The ornamental design for a jig saw, as shown and described herein.

[52] U.S. Cl. **D15/133**

[58] Field of Search **D15/127, 133; 83/782, 83/783, 786**

DESCRIPTION

[56] **References Cited**

U.S. PATENT DOCUMENTS

D. 173,648	12/1954	Emrick	D15/133 X
D. 173,891	1/1955	Beale et al.	D15/133
D. 174,116	3/1955	Dremel	D15/133
D. 285,695	9/1986	Miller, Jr.	D15/133
D. 290,369	6/1987	Eccardt et al.	D15/133
2,692,622	10/1954	Heese	83/786 X
3,152,625	10/1964	Bohrer .	
4,455,909	6/1984	Willos	83/783 X
4,616,541	10/1986	Eccardt et al.	83/782 X

FIG. 1 is a left side elevational view of a jig saw showing my new design;
FIG. 2 is a front elevational view;
FIG. 3 is a rear elevational view;
FIG. 4 is a right side elevational view;
FIG. 5 is a top plan view;
FIG. 6 is a bottom plan view;
FIG. 7 is a top, front and right side perspective view; and,
FIG. 8 is a bottom, rear and left side perspective view thereof.

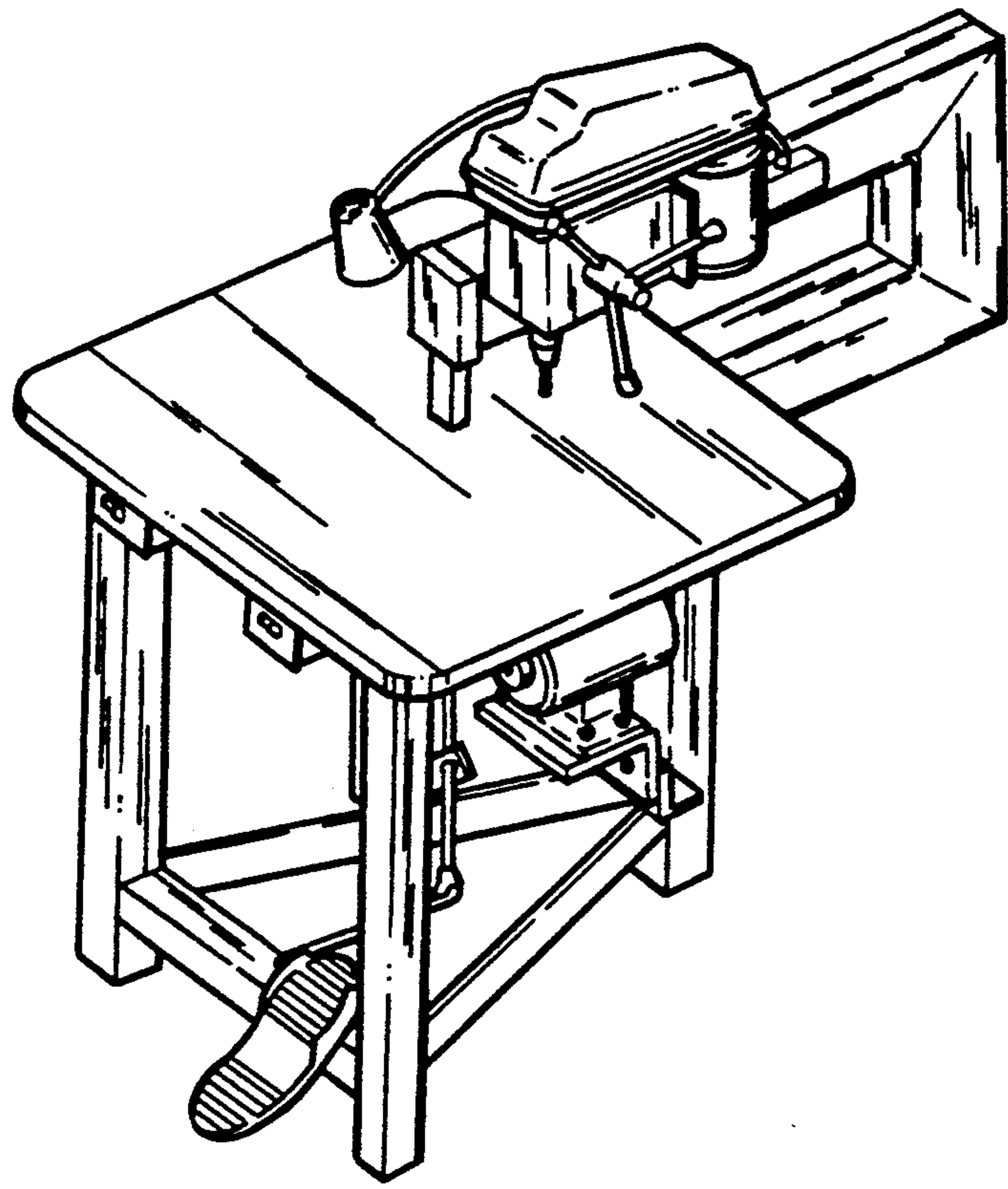


FIG. 1

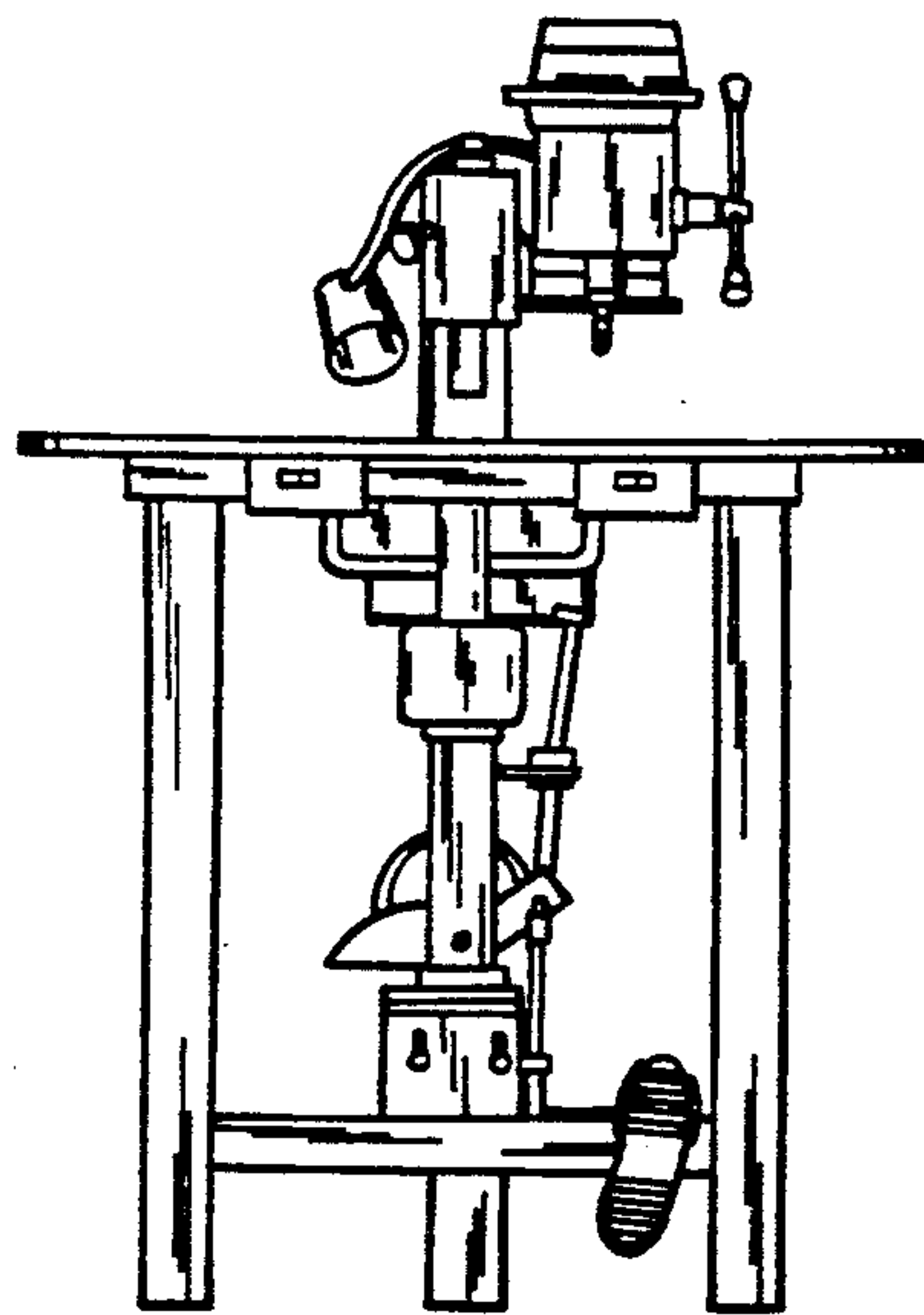
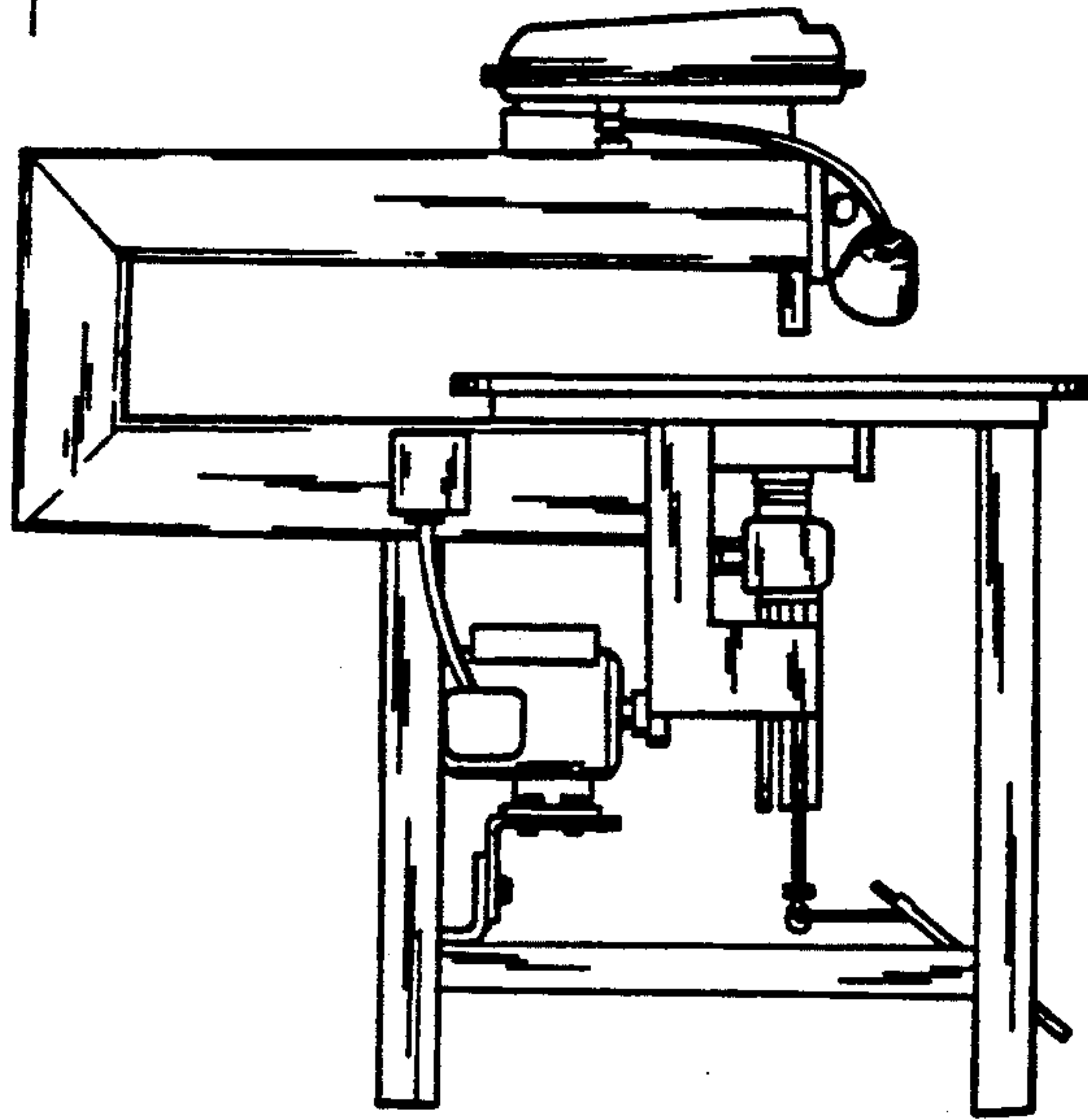


FIG. 2

FIG. 3

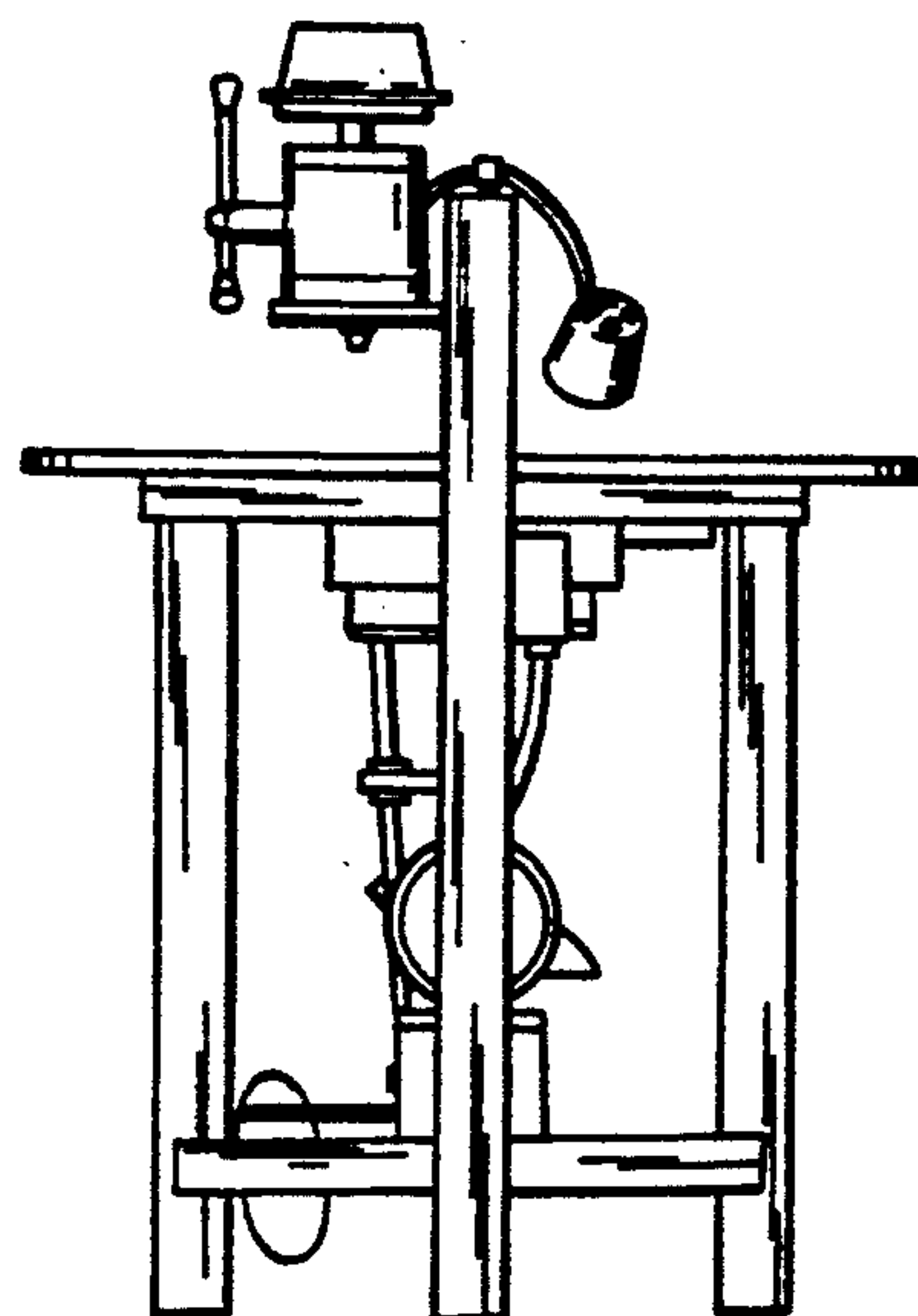


FIG. 4

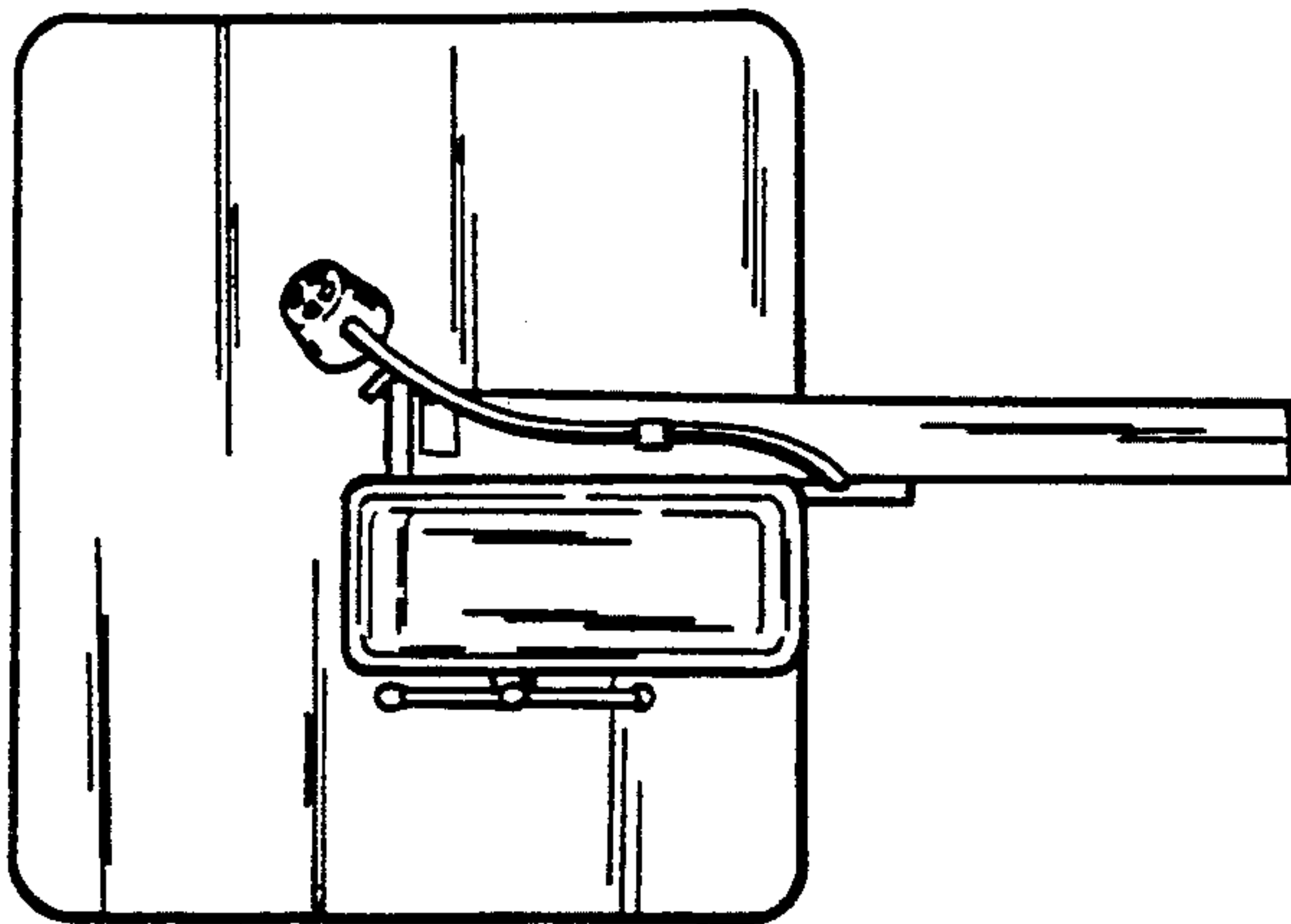
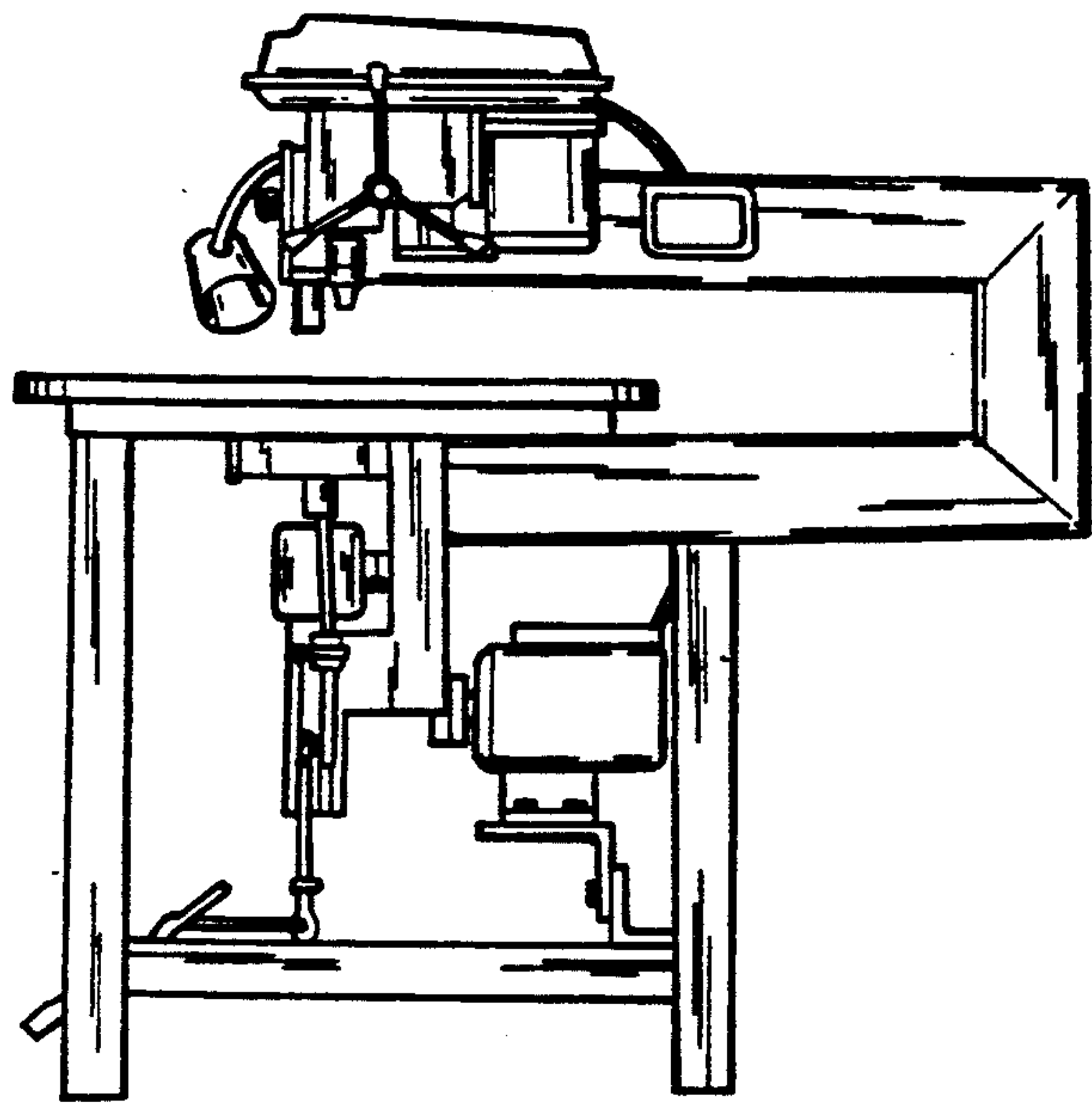
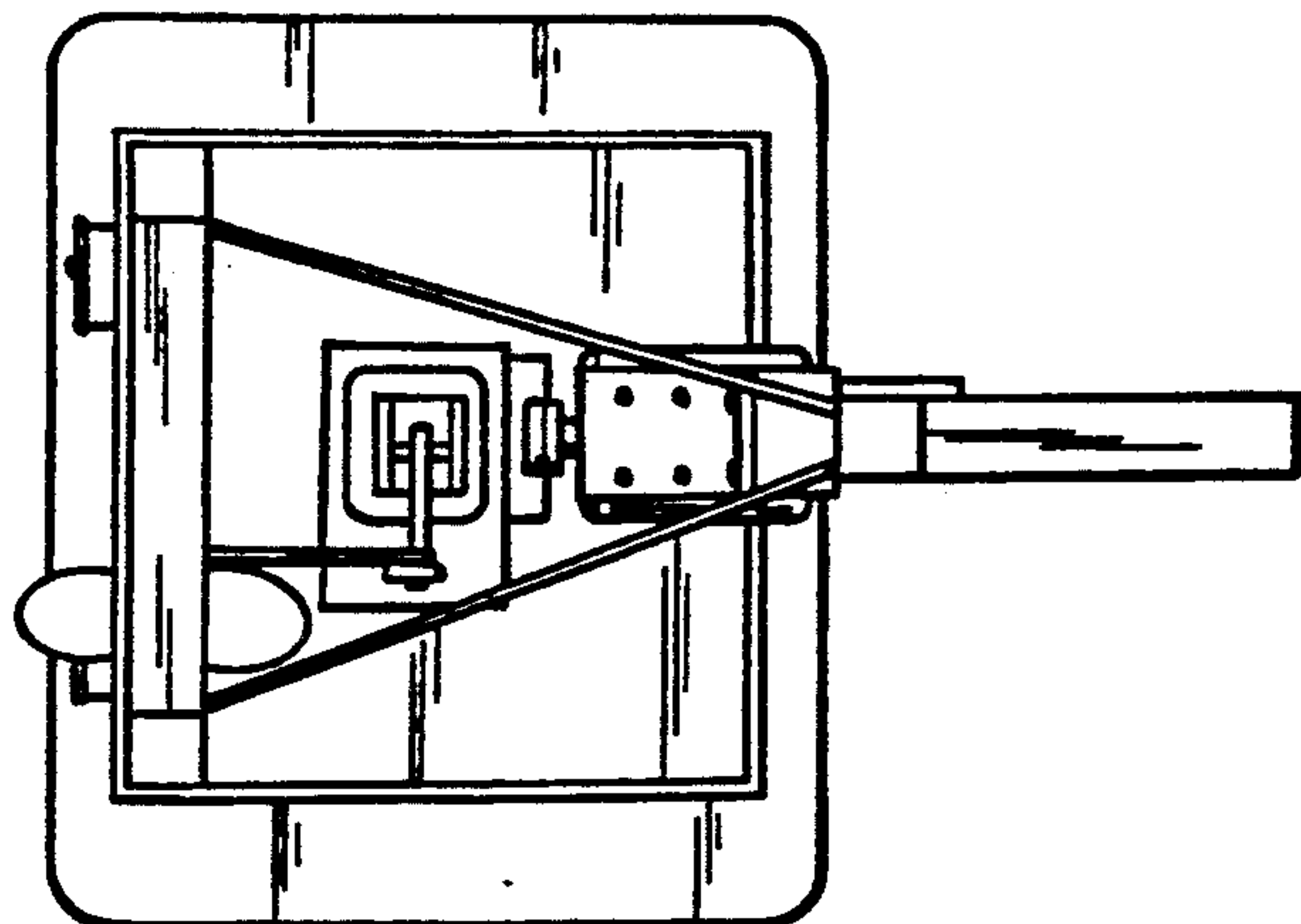


FIG. 5

FIG. 6



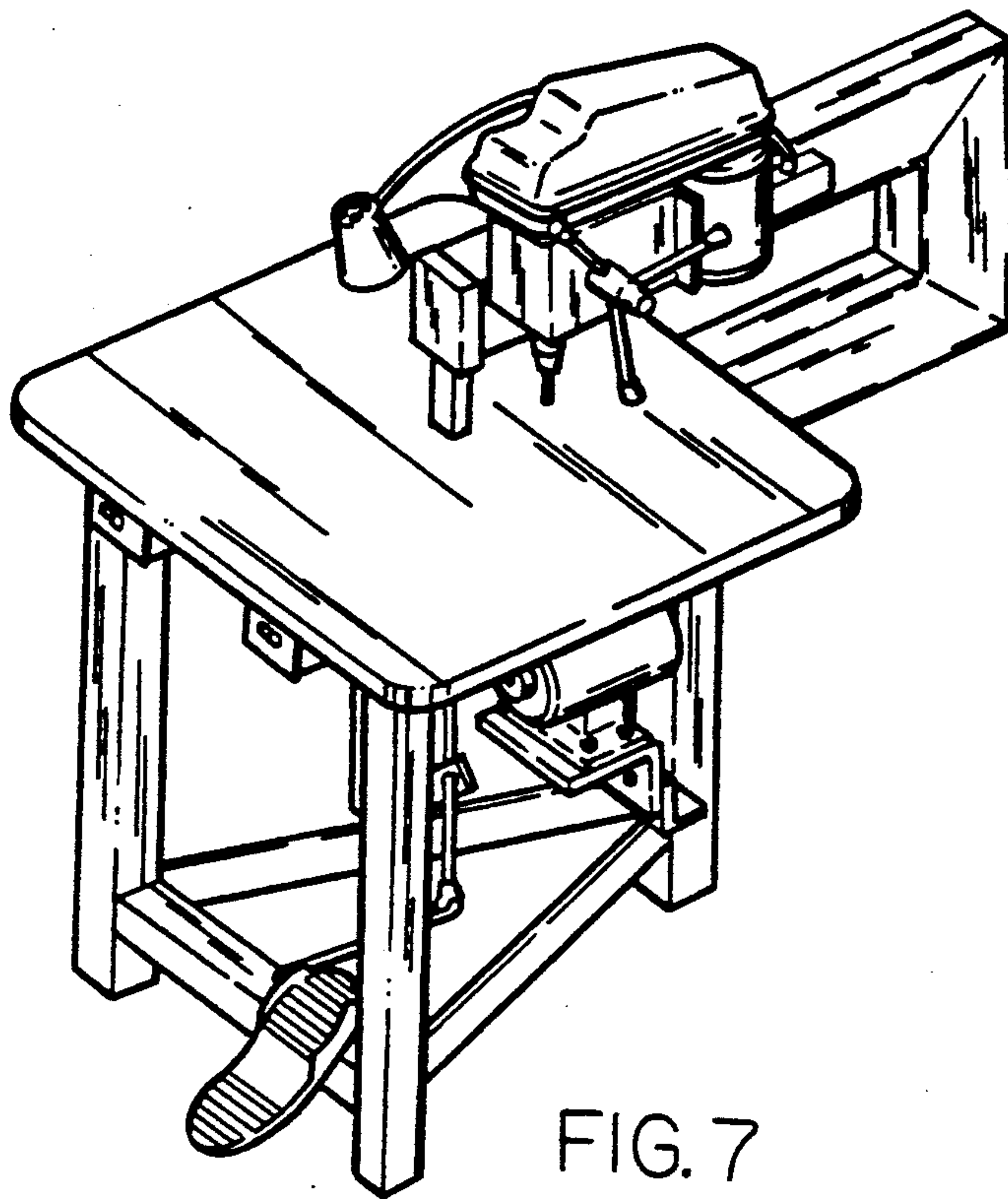


FIG. 7

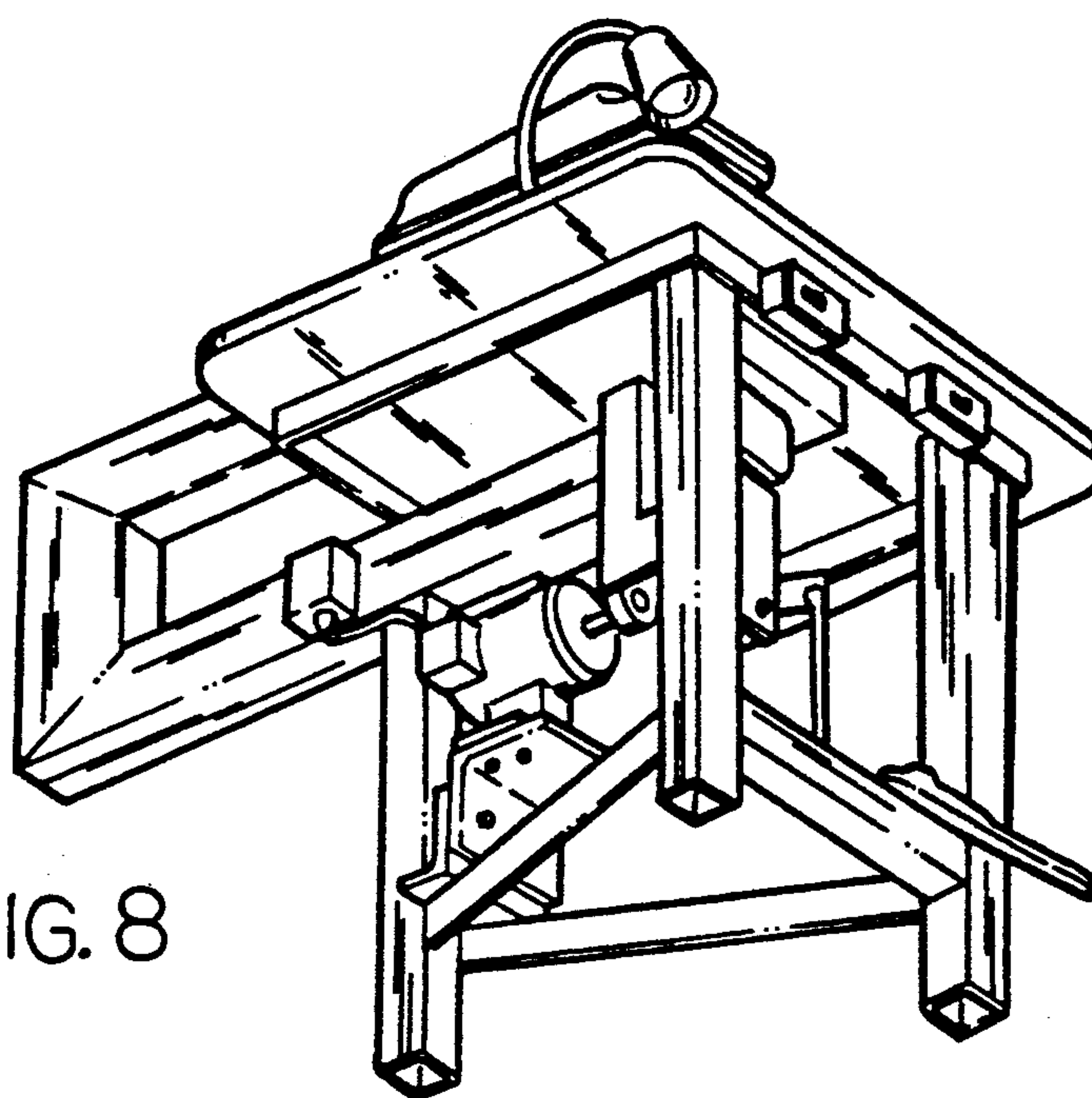


FIG. 8