



US00D328749S

# United States Patent [19]

[11] Patent Number: **Des. 328,749**

Womack

[45] Date of Patent: **\*\* Aug. 18, 1992**

[54] **BELT LACER**

[75] Inventor: **Richard R. Womack, Grand Rapids, Mich.**

[73] Assignee: **Clipper Belt Lacer Company, Grand Rapids, Mich.**

[\*\*] Term: **14 Years**

[21] Appl. No.: **448,581**

[22] Filed: **Dec. 11, 1989**

[52] U.S. Cl. .... **D15/127**

[58] Field of Search ..... **D15/122, 127, 129; 29/564.8, 243.51**

[56] **References Cited**

**U.S. PATENT DOCUMENTS**

4,313,324	2/1982	Pearson	.....	D15/122	X
4,769,884	9/1988	Datsecis et al.	.....	29/564.8	X
5,020,209	6/1991	Fullard	.....	29/564.8	
5,058,252	10/1991	Wicsner, III et al.	.....	29/564.8	X

**OTHER PUBLICATIONS**

"Quick And Easy And Done In One Step" brochure by Clipper Belt Lacer Co.

"Splice Your Corrugator Felt In Less Than 1 Hour" brochure by Clipper Belt Lacer Co.

"Clipper Clipboard #1 Face Strip" publication by Clipper Belt Lacer Co.

"Clipper Clipboard The Roller Lacer" publication by Clipper Belt Lacer Co.

"Roller Lacer Operation Manual" by Clipper Belt Lacer Co.

*Primary Examiner*—Donald P. Walsh

*Assistant Examiner*—Antoine D. Davis

*Attorney, Agent, or Firm*—Price, Heneveld, Cooper, DeWitt & Litton

[57] **CLAIM**

The ornamental design for a belt lacer, as shown and described.

**DESCRIPTION**

FIG. 1 is a top, front and left side perspective view of a belt lacer showing my new design;

FIG. 2 is a top, front and left side perspective view;

FIG. 3 is a top, front and right side perspective view;

FIG. 4 is a top, rear and left side perspective view, shown with the handle element in an alternate position of use;

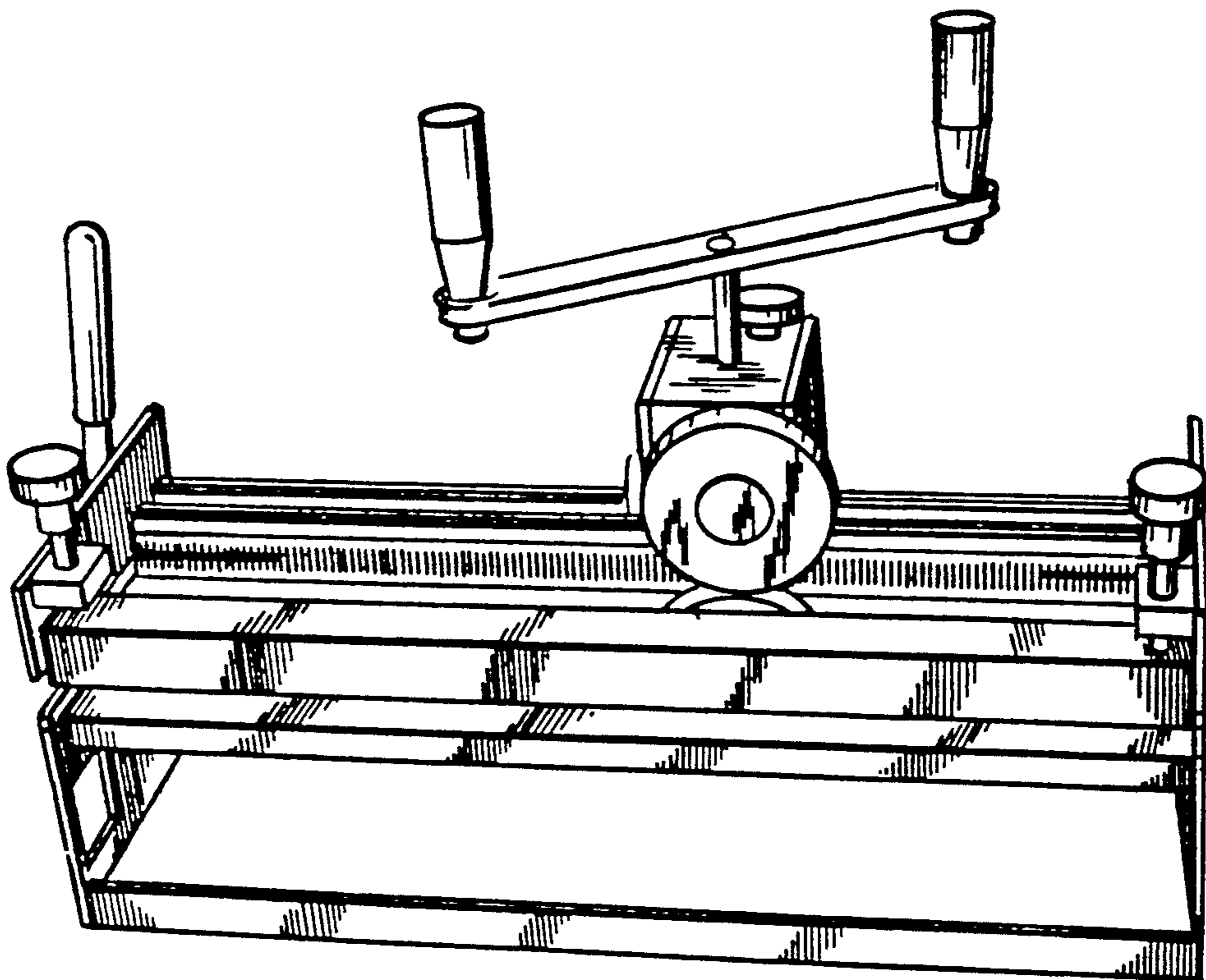
FIG. 5 is a top, rear and right side perspective view, shown with the handle element in an alternate position of use;

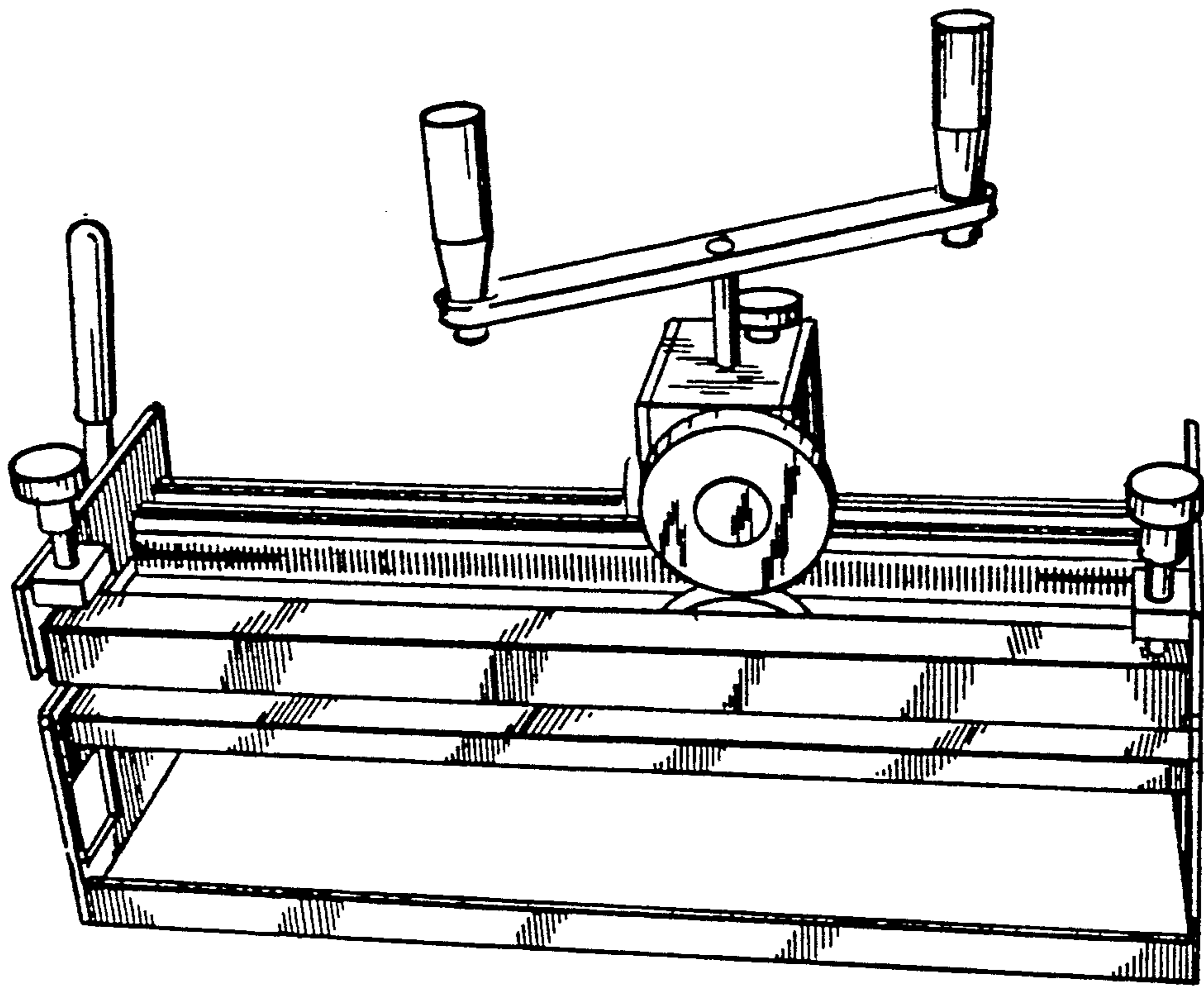
FIG. 6 is a top, rear and right side perspective view thereof;

FIG. 7 is an inverted top, front and right side perspective view;

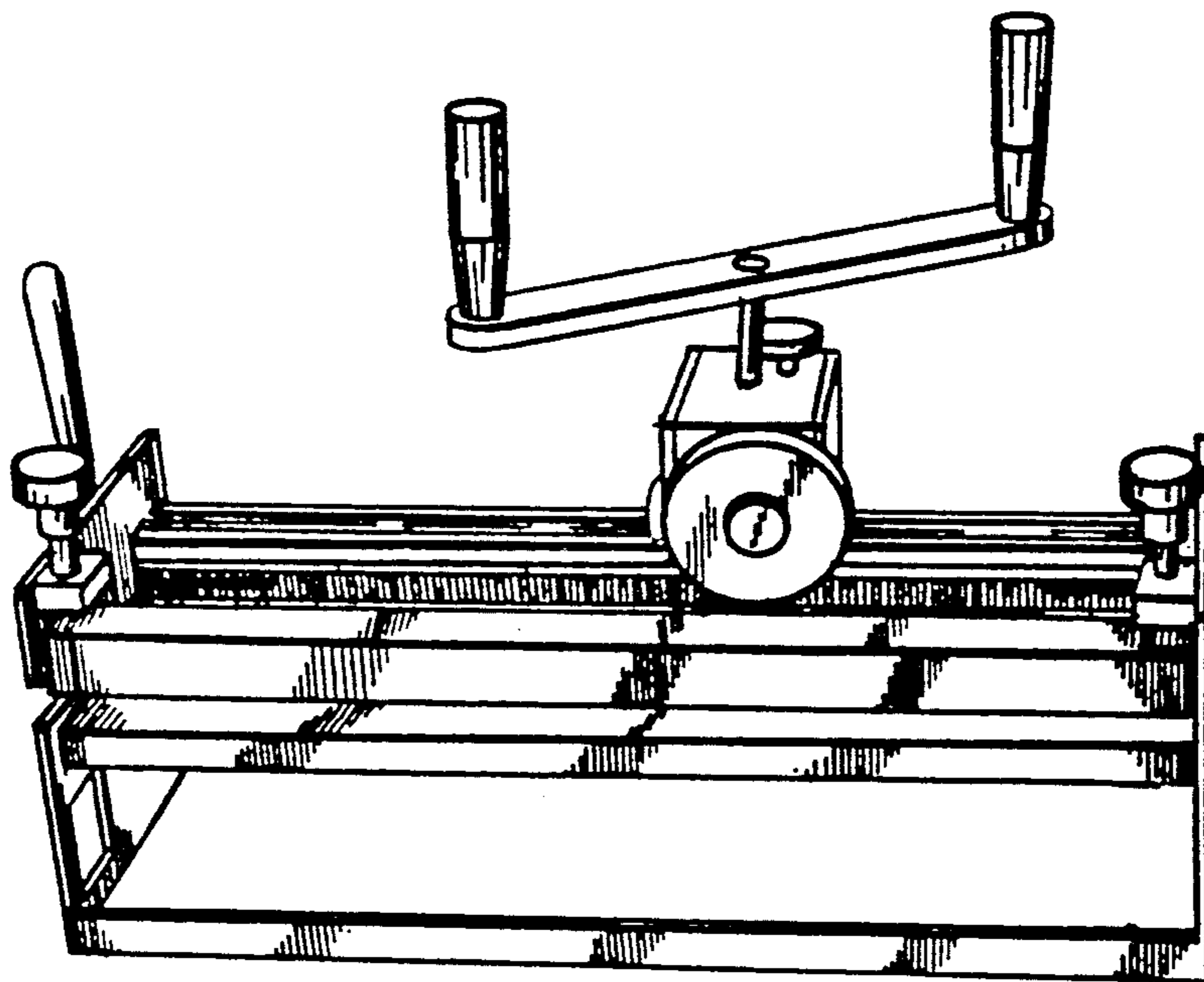
FIG. 8 is an inverted bottom and front perspective view; and,

FIG. 9 is a left side elevational view thereof.

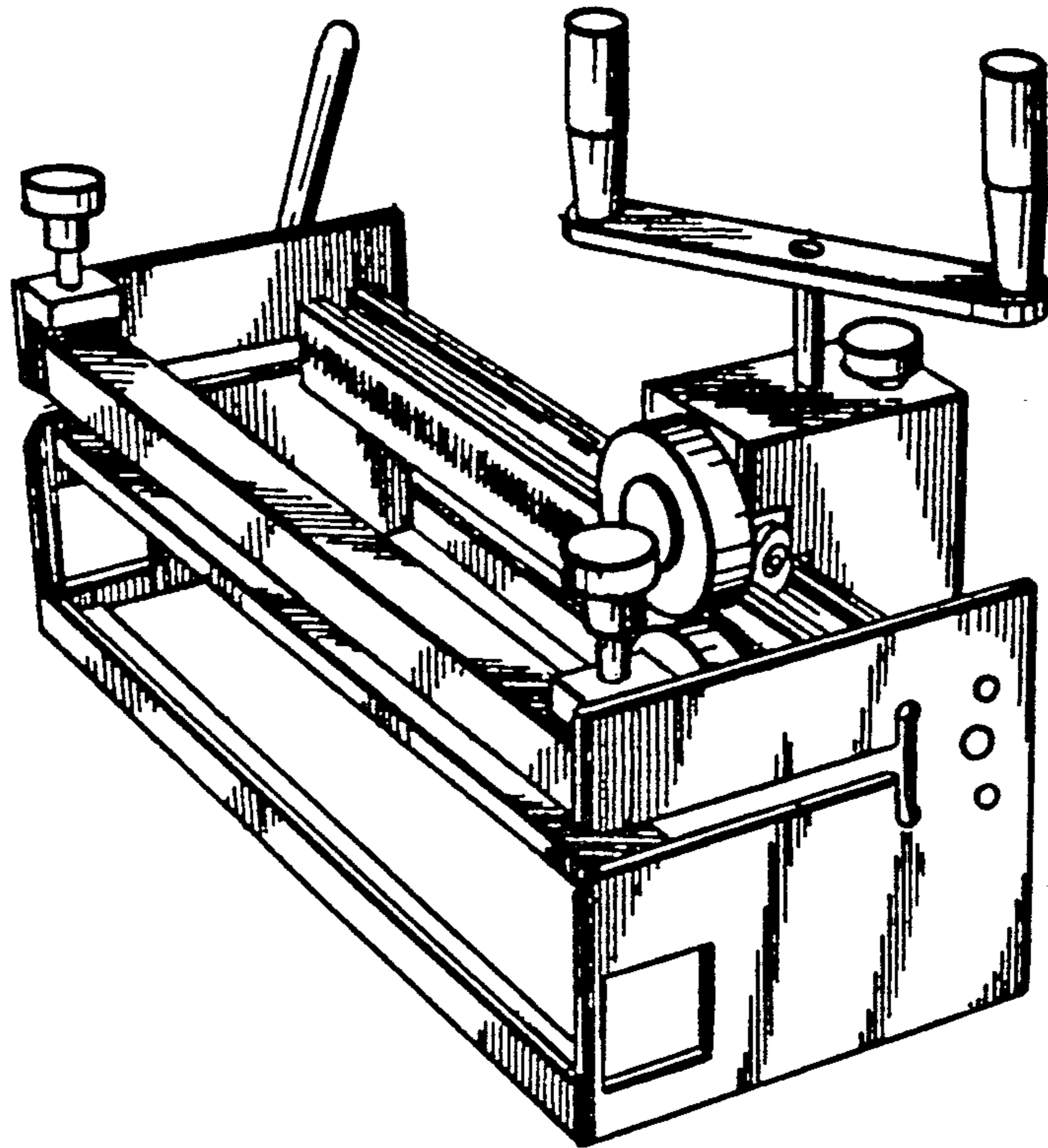




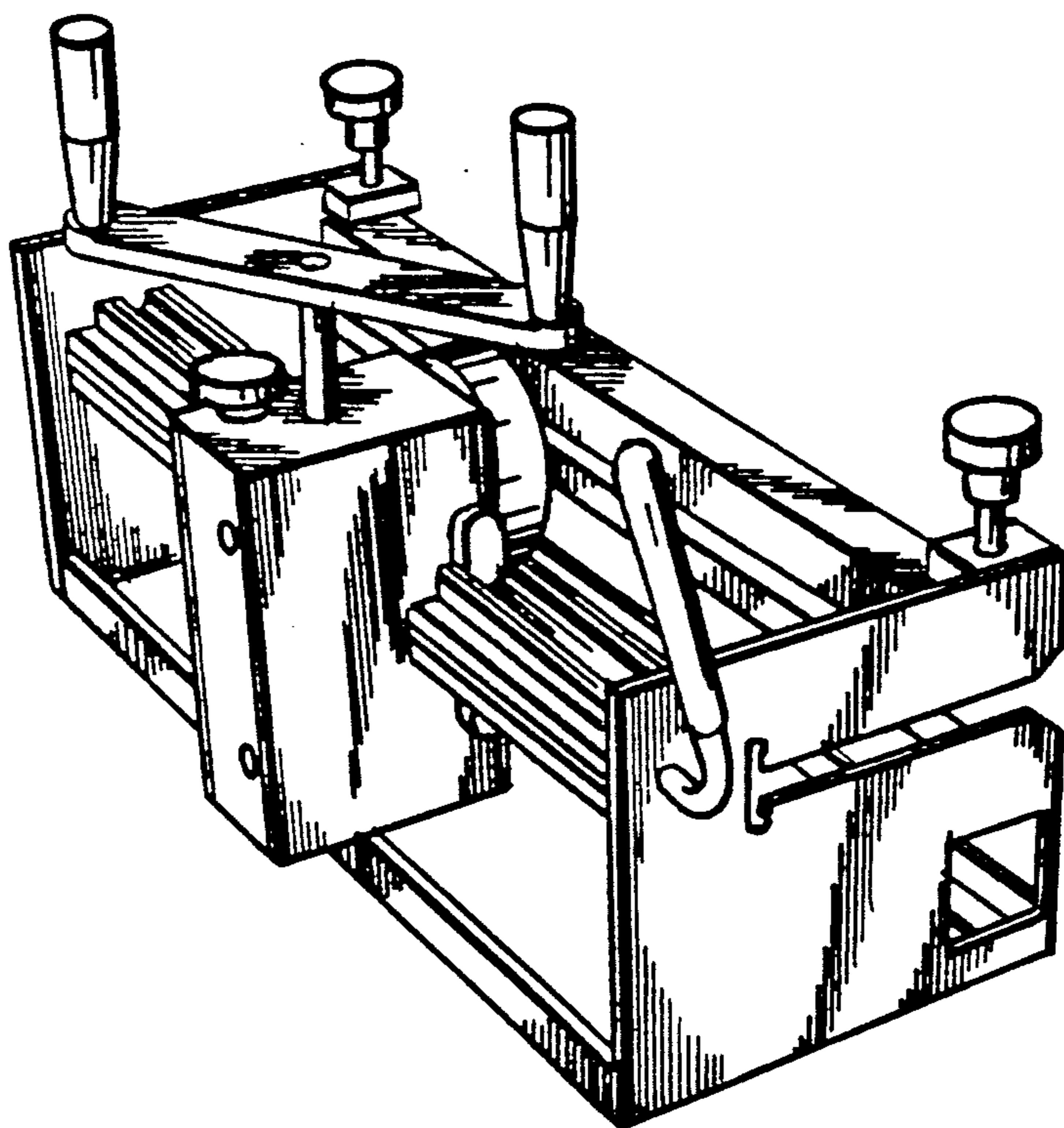
*Fig. 1.*



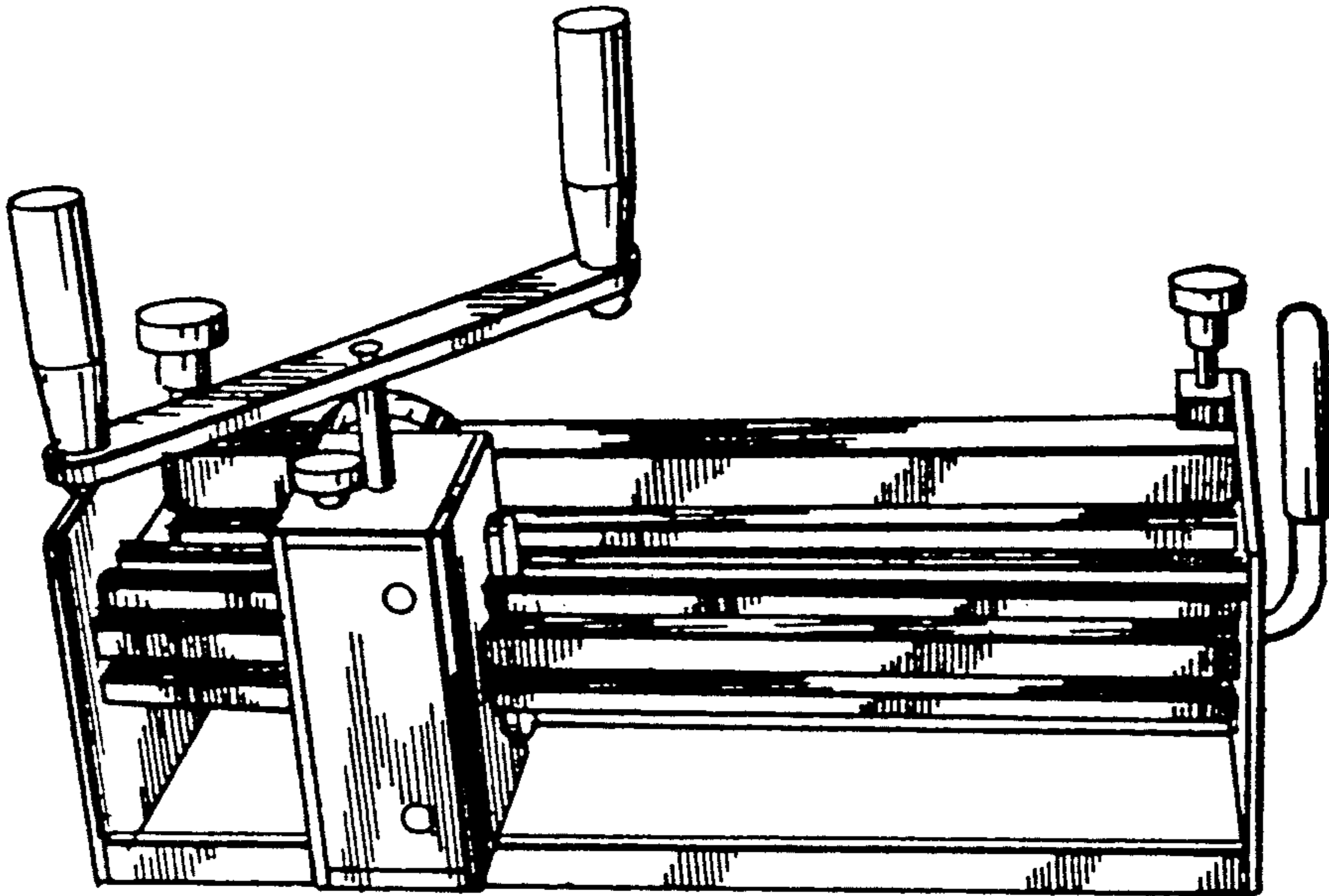
*Fig. 2.*



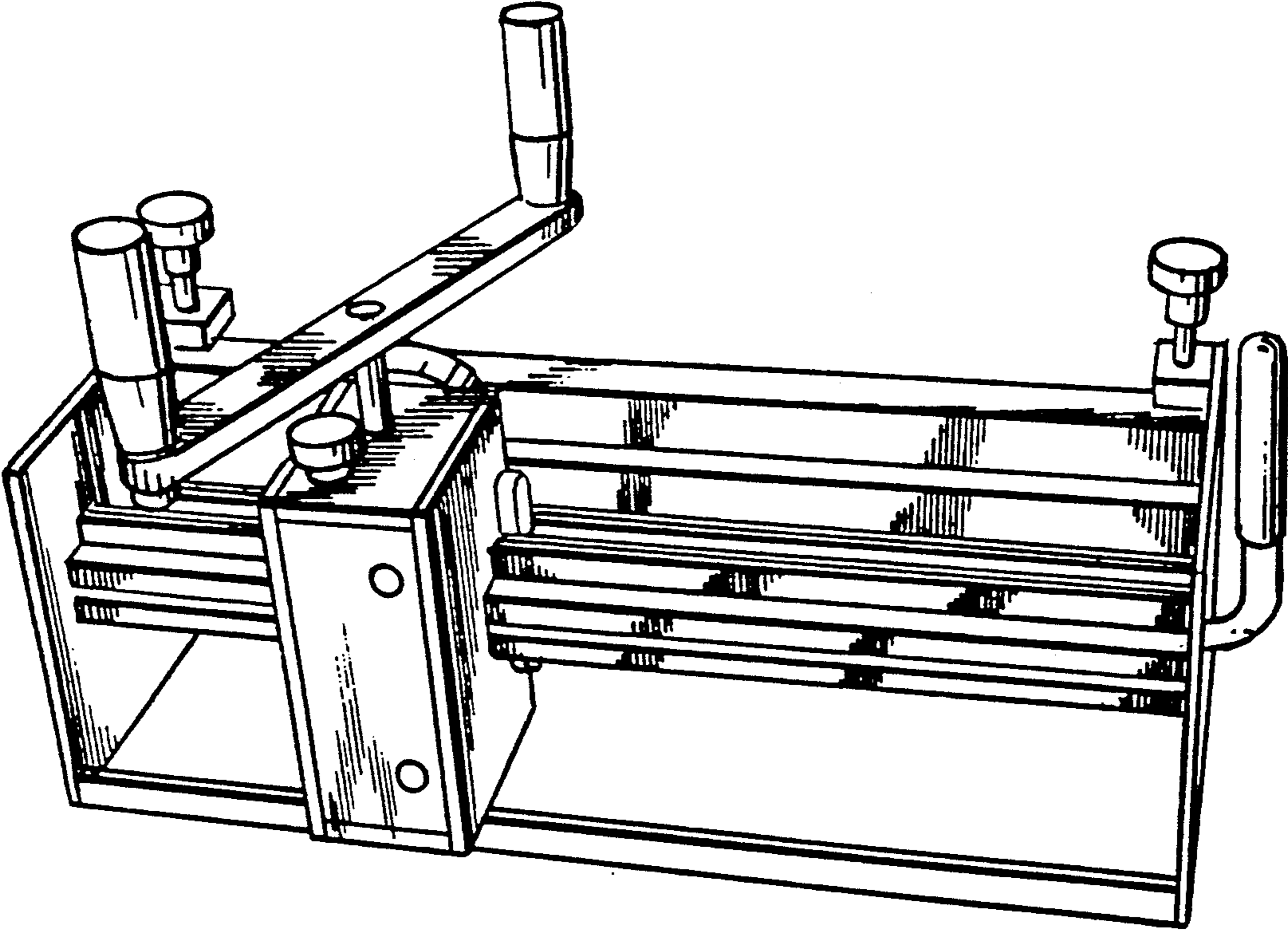
*Fig. 3*



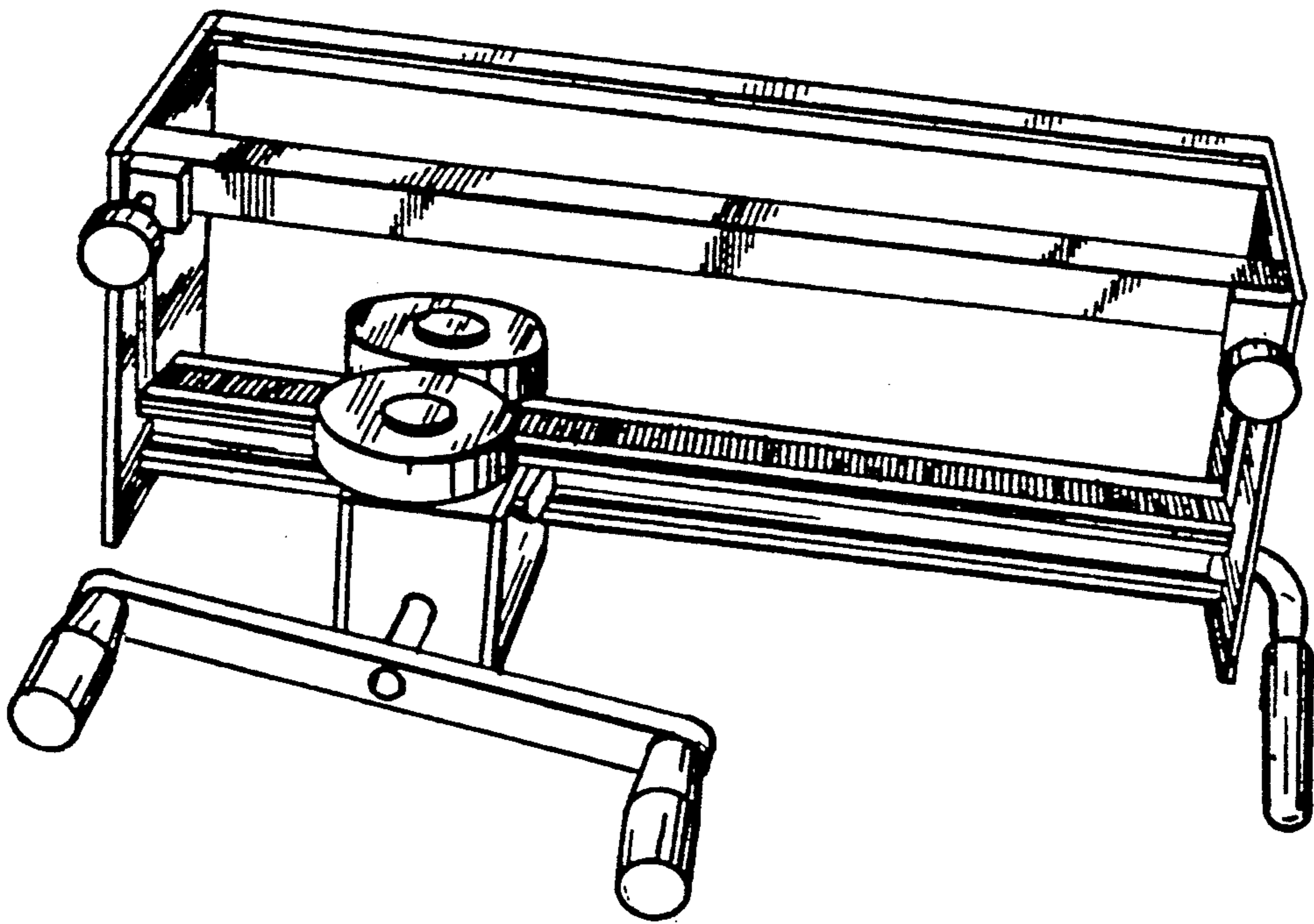
*Fig. 4*



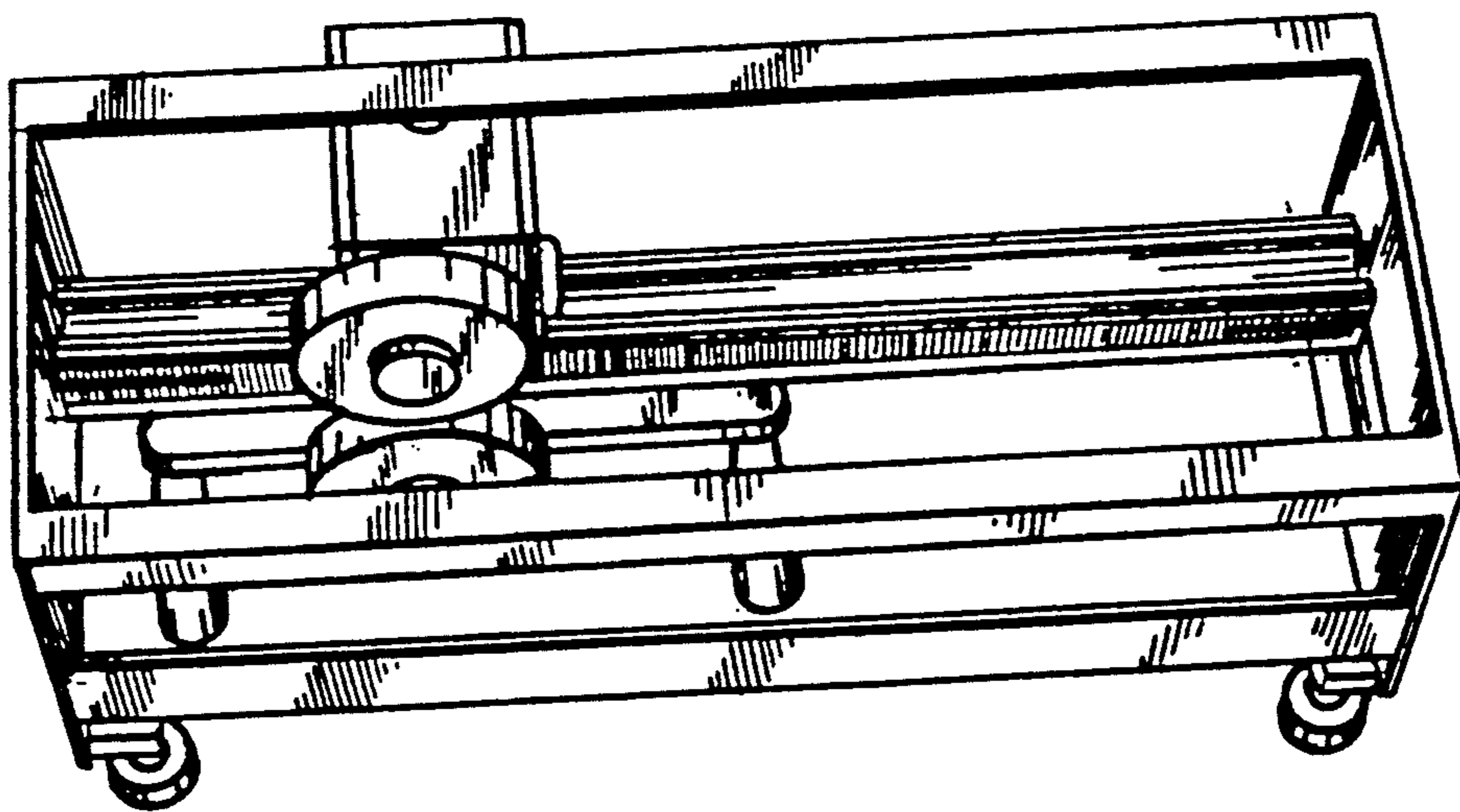
*Fig. 5.*



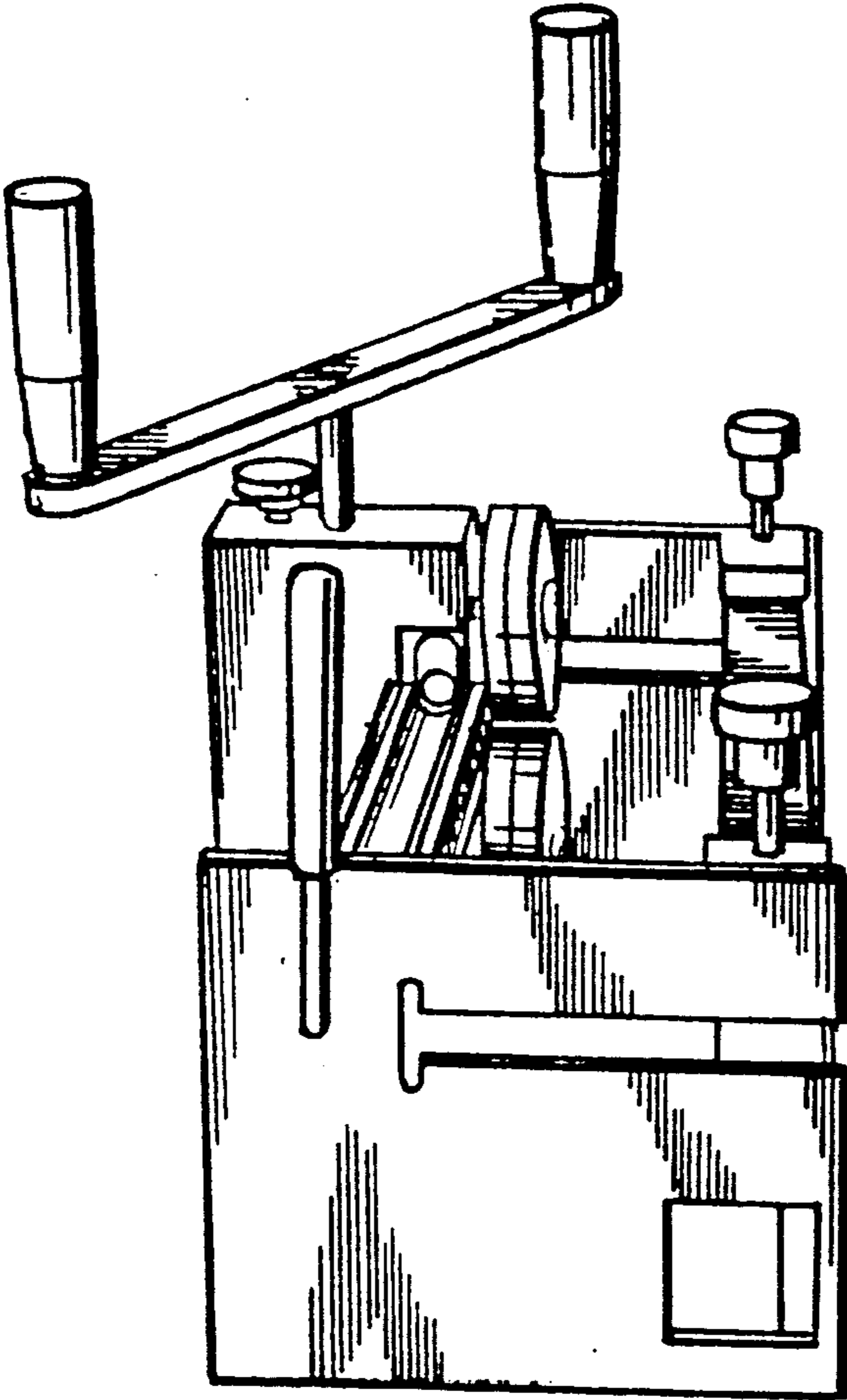
*Fig. 6.*



*Fig. 7.*



*Fig. 8.*



*Fig. 9.*