



US00D328741S

United States Patent [19]

[11] Patent Number: **Des. 328,741**

Fujiwara et al.

[45] Date of Patent: **** Aug. 18, 1992**

[54] FACSIMILE TRANSCEIVER

[75] Inventors: **Kazuki Fujiwara; Hirofumi Sako; Akihiko Ooiwa; Toshita Hara**, all of Tottori, Japan

[73] Assignee: **Sanyo Electric Co., Ltd.**, Osaka, Japan

[**] Term: **14 Years**

[21] Appl. No.: **592,498**

[22] Filed: **Oct. 3, 1990**

[30] Foreign Application Priority Data

Apr. 5, 1990 [JP]	Japan	2-11640
[52] U.S. Cl.		D14/118
[58] Field of Search	D14/118, 299; D18/36, D18/37; 358/400, 401	

[56] References Cited

U.S. PATENT DOCUMENTS

D. 314,763	2/1991	Chang et al.	D14/118
D. 315,555	3/1991	Komatsu	D14/118
D. 322,781	12/1991	Yoshida	D14/118

OTHER PUBLICATIONS

HFD; Jan. 4, 1988; p. 203; Teli VaxaFax. Dempa Publications, Inc., 1-11-15, Higashi-Gotanda, Shinagawa-Ku, Tokyo Japan 141, newspaper article published Jan. 19, 1990.

Dempa Publications, Inc., 1-11-15, Higashi-Gotanda, Shinagawa-Ku, Tokyo Japan 141, newspaper article published Jun. 27, 1990.

Primary Examiner—Theodore M. Shooman
Attorney, Agent, or Firm—Darby & Darby

[57] CLAIM

The ornamental design for a facsimile transceiver, as shown and described.

DESCRIPTION

FIG. 1 is a top, front and right side perspective view of a facsimile transceiver showing our new design; FIG. 2 is a top, front and right side perspective view thereof, shown with the handset removed for clarity of illustration; FIG. 3 is a front elevational view thereof; FIG. 4 is a rear elevational view thereof; FIG. 5 is a top plan view thereof; FIG. 6 is a bottom plan view thereof; FIG. 7 is a left side elevational view thereof; and, FIG. 8 is a right side elevational view thereof.

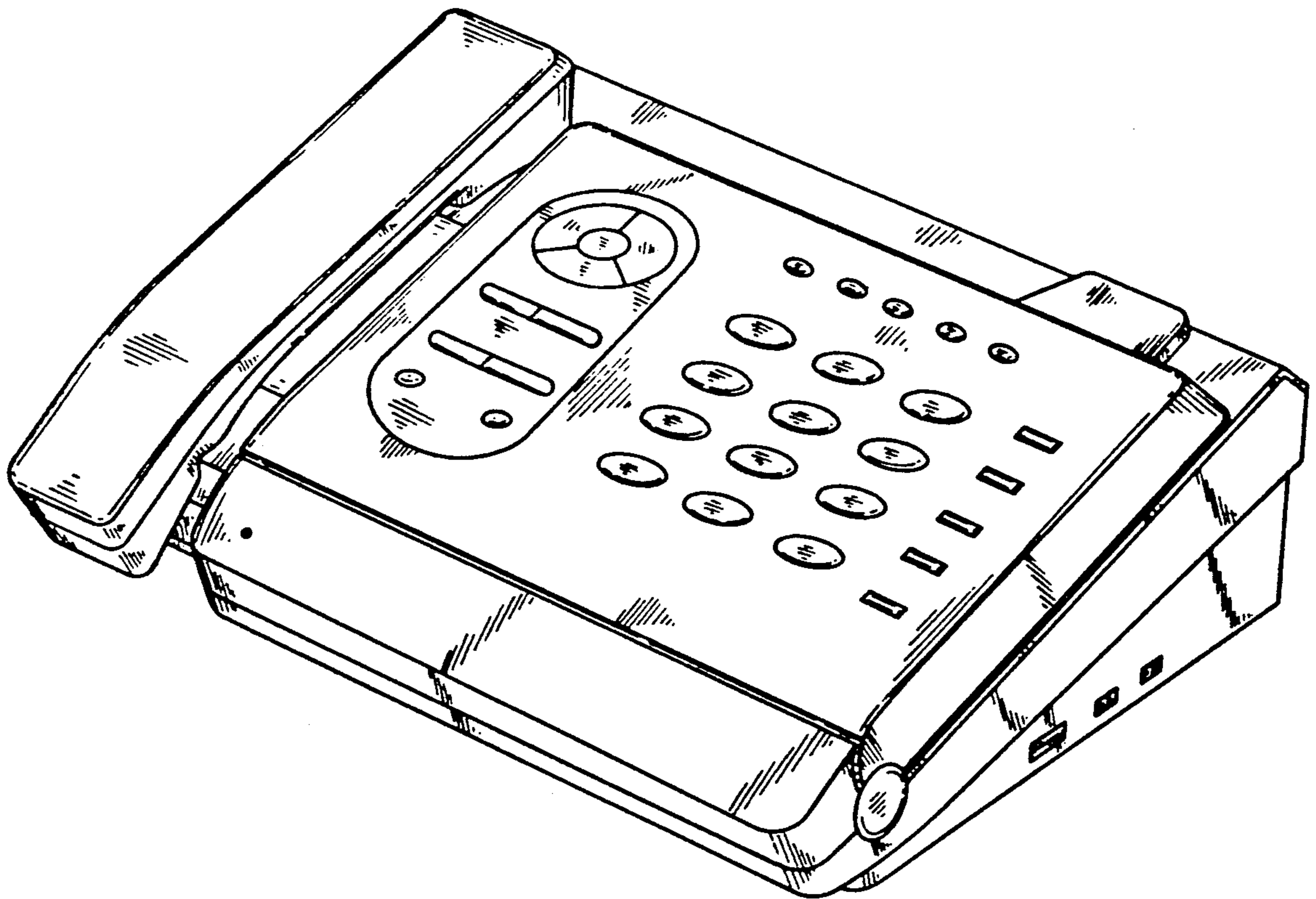
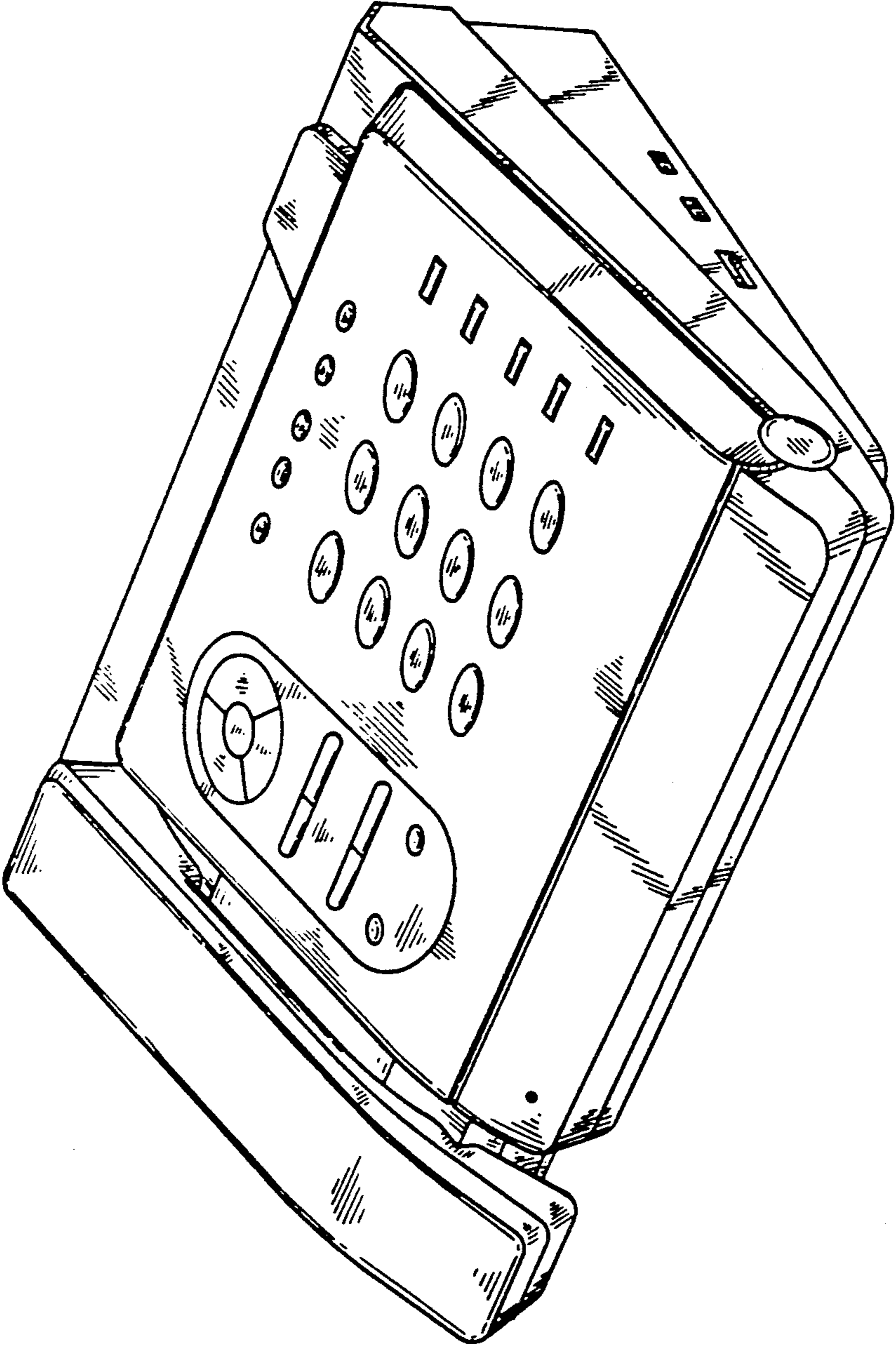


FIG. 1



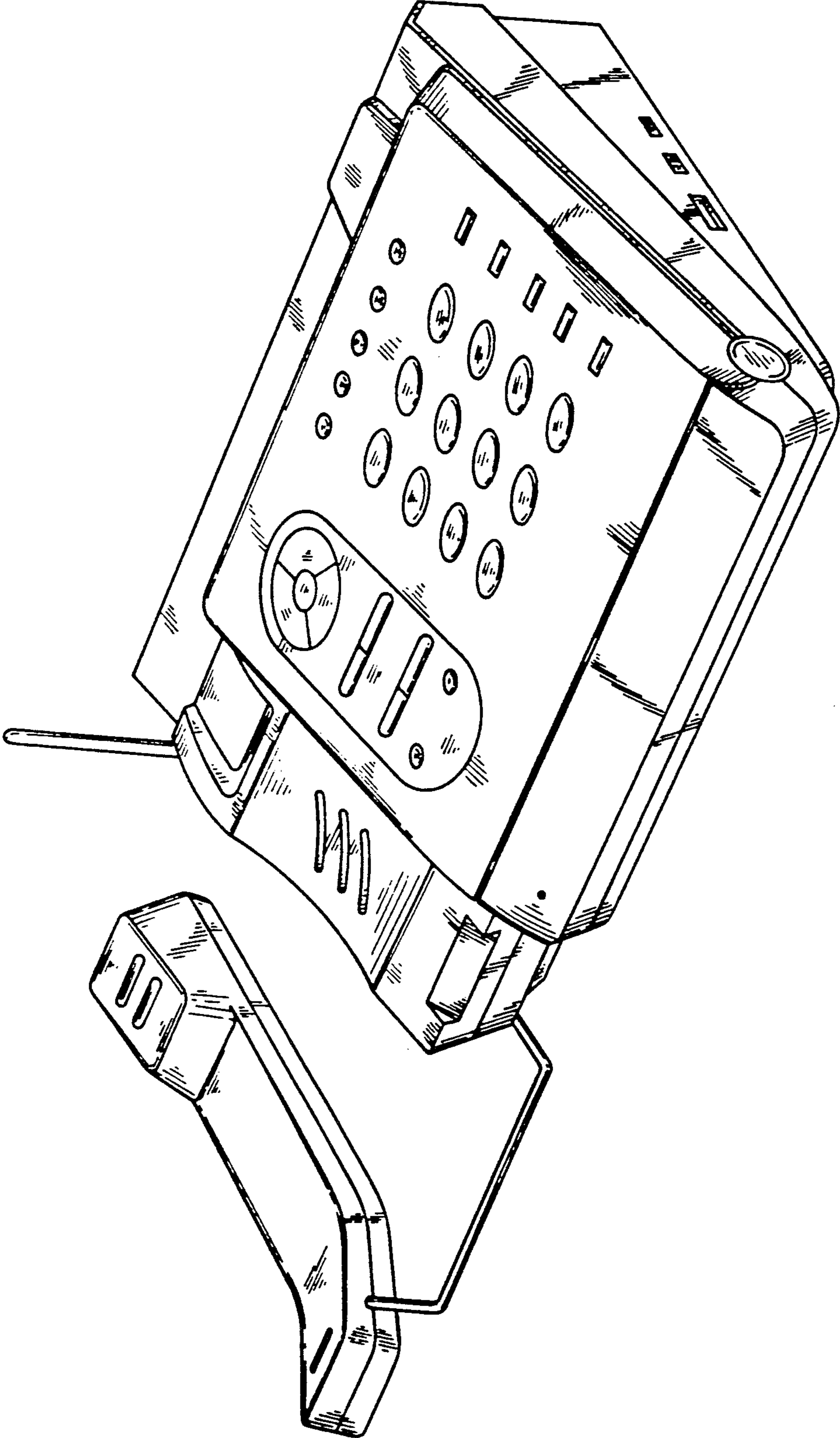


FIG. 2

FIG. 3

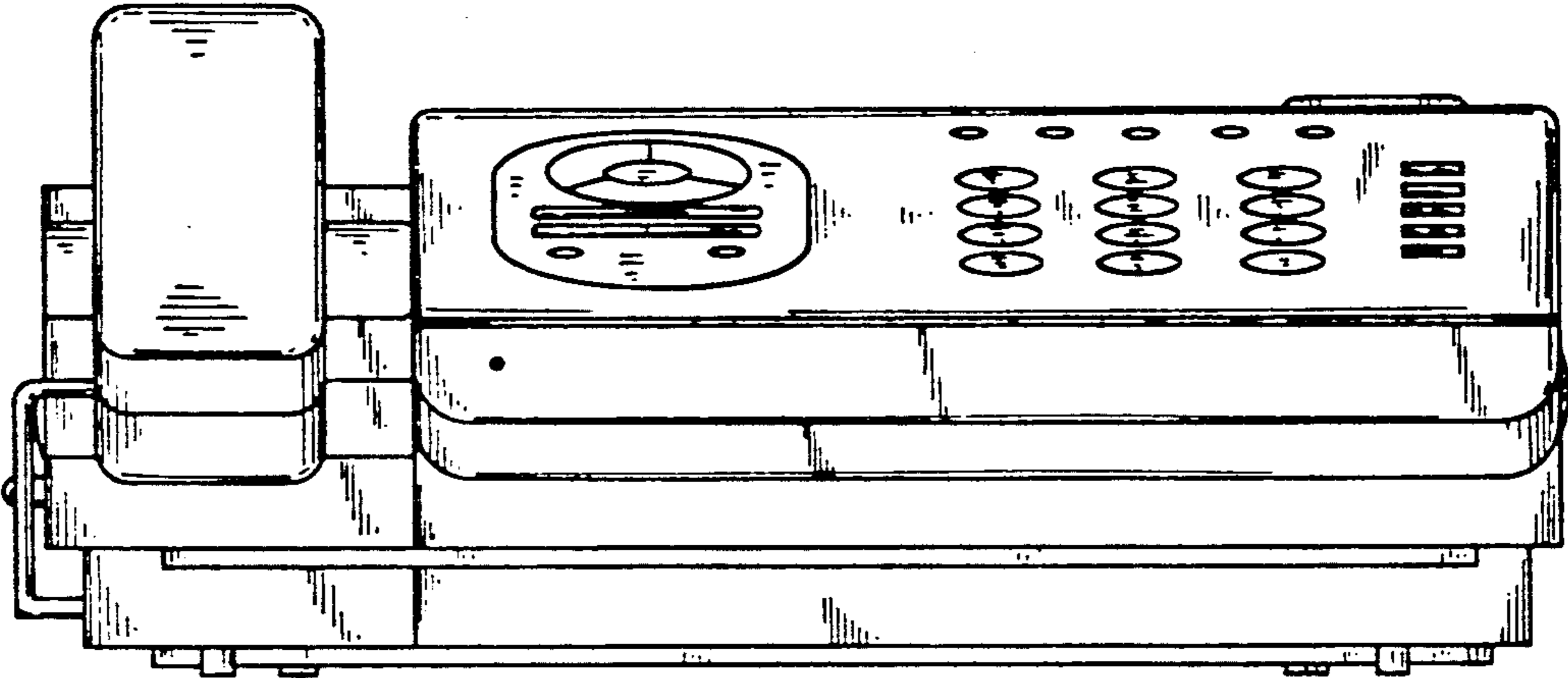
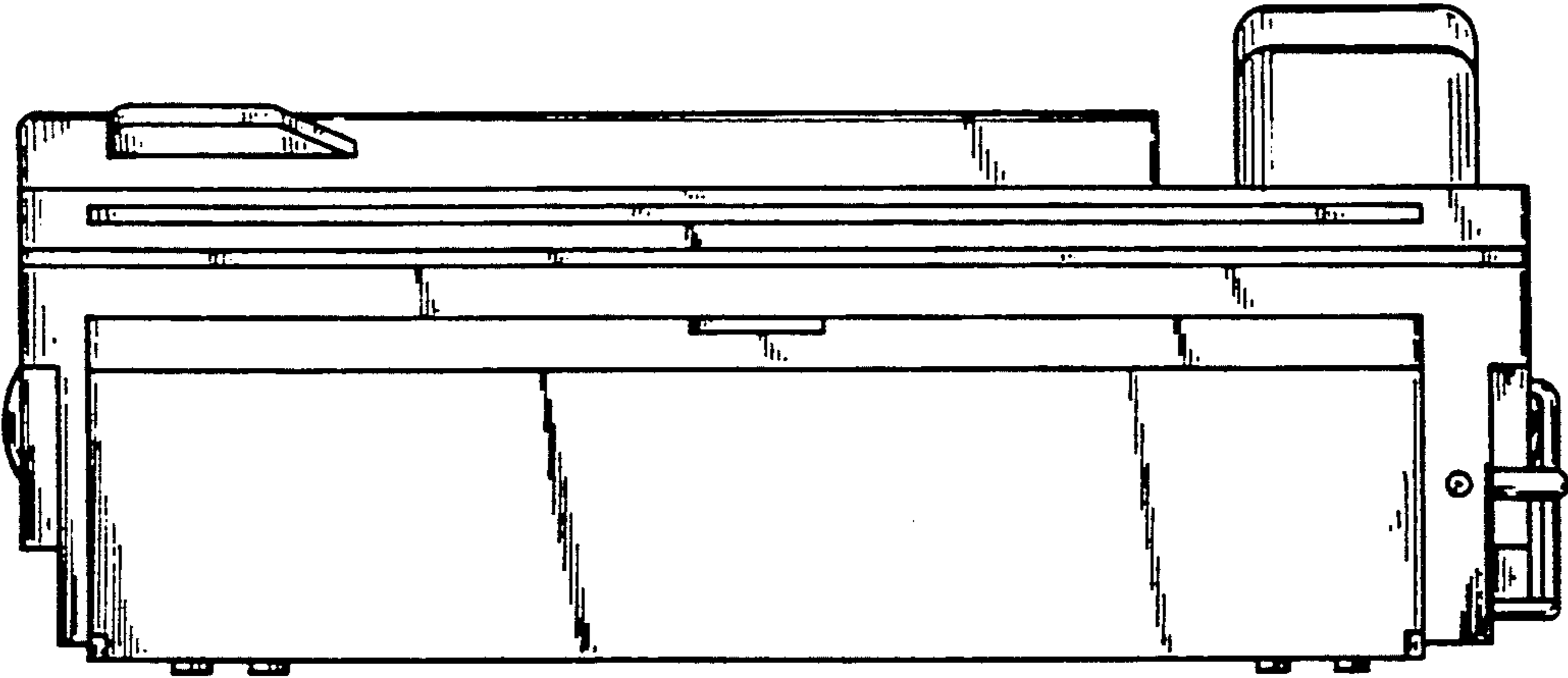


FIG. 4



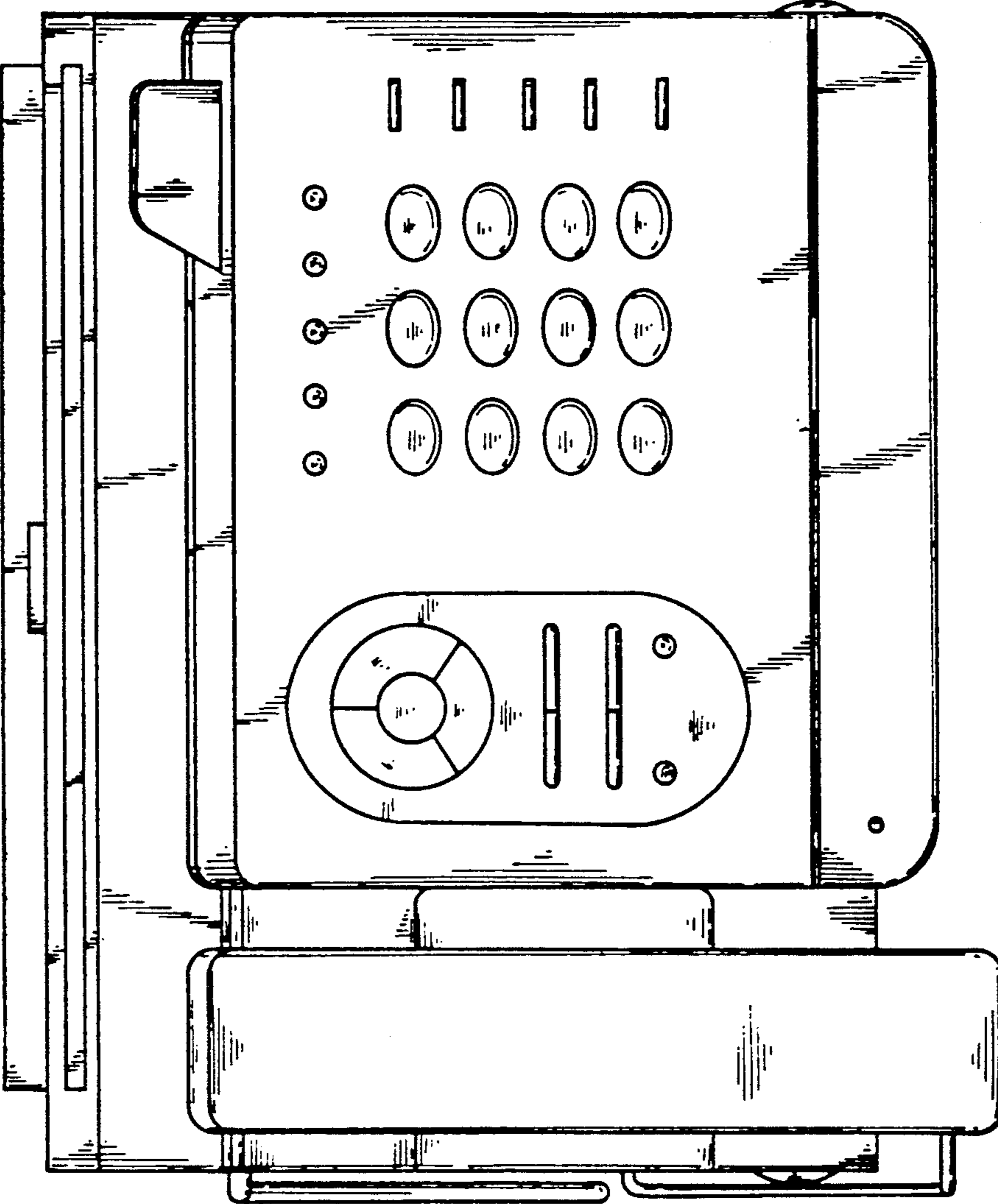


FIG. 5

FIG. 6

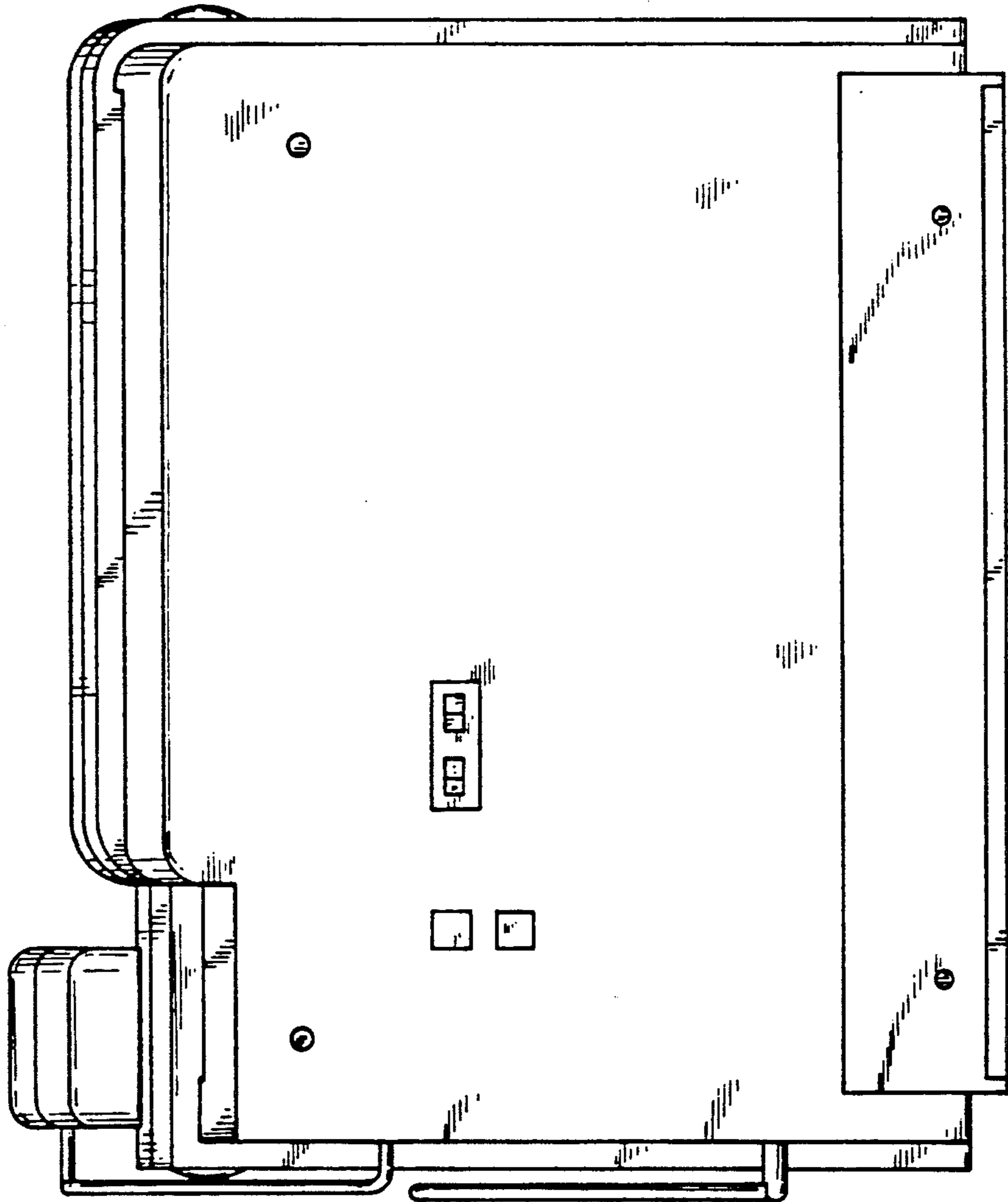


FIG. 7

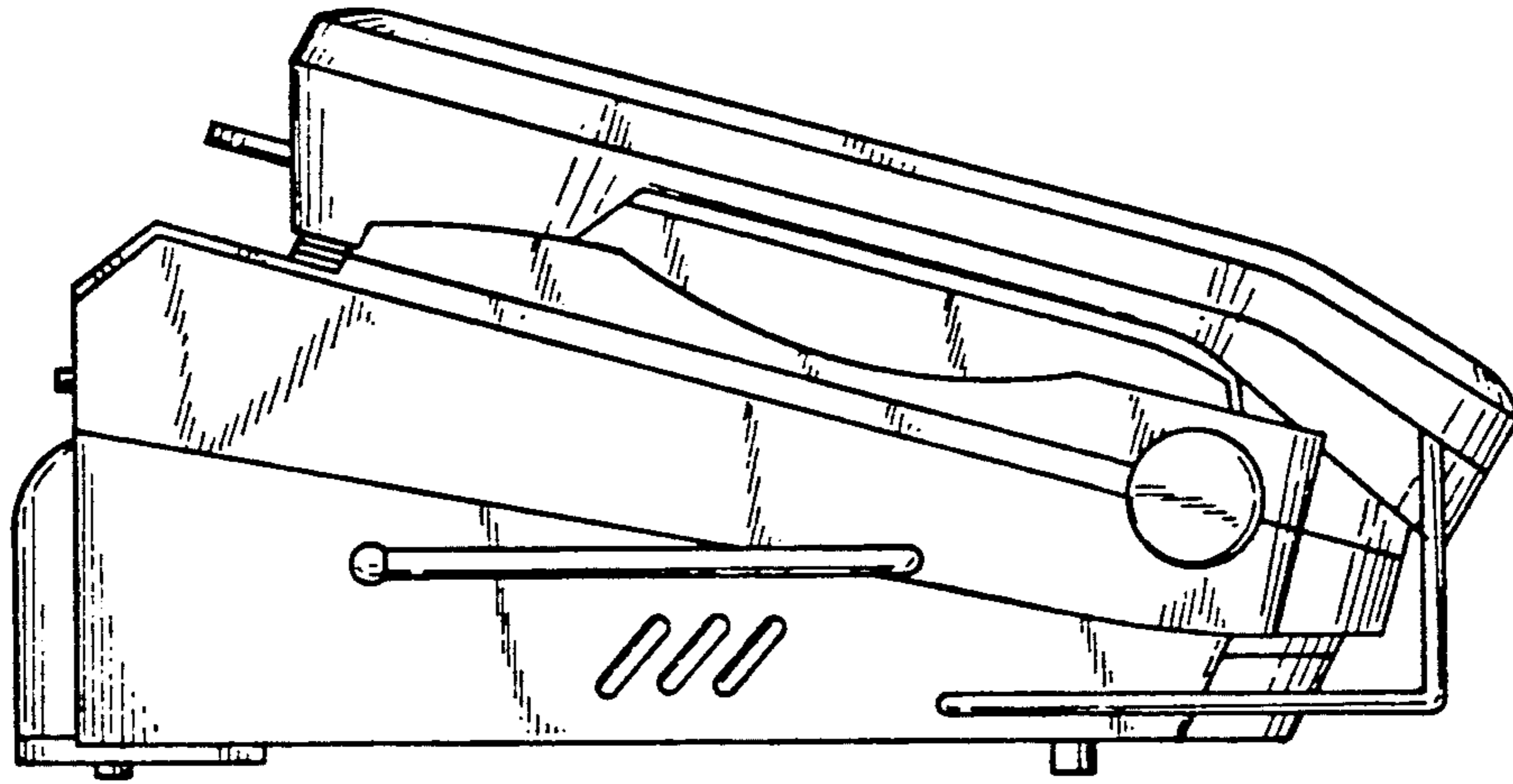


FIG. 8

