



US00D328735S

United States Patent [19]

[11] Patent Number: **Des. 328,735**

Barbera et al.

[45] Date of Patent: **** Aug. 18, 1992**

[54] **COMPUTER HOUSING OR SIMILAR ARTICLE**

[75] Inventors: **Lawrence E. Barbera**, San Mateo;
Michael J. Nuttall, Palo Alto, both of Calif.

[73] Assignee: **Apple Computer, Inc.**, Cupertino, Calif.

[**] Term: **14 Years**

[21] Appl. No.: **586,047**

[22] Filed: **Sep. 20, 1990**

[52] U.S. Cl. **D14/100**

[58] Field of Search **D14/100, 102, 104, 107, D14/109; D13/162, 163, 184, 199; 360/97.01-99.12; 361/390-395**

[56] **References Cited**

U.S. PATENT DOCUMENTS

D. 303,791	10/1989	Peart et al.	D14/107
D. 305,227	12/1989	Esslinger	D14/100
D. 320,006	9/1991	Ivester	D14/100

Primary Examiner—Wallace R. Burke
Assistant Examiner—Freda S. Nunn
Attorney, Agent, or Firm—Franklyn C. Weiss

[57] **CLAIM**

The ornamental design for a computer housing or similar article, as shown and described.

DESCRIPTION

FIG. 1 is a top front and right side perspective view of a computer housing or similar article showing our new design;
FIG. 2 is a top plan view thereof on an enlarged scale;
FIG. 3 is a front elevational view thereof on an enlarged scale;
FIG. 4 is a bottom plan view thereof on an enlarged scale;
FIG. 5 a rear elevational view thereof on an enlarged scale;
FIG. 6 is a left side elevational view thereof on an enlarged scale; and,
FIG. 7 is a right side elevational view thereof on an enlarged scale.

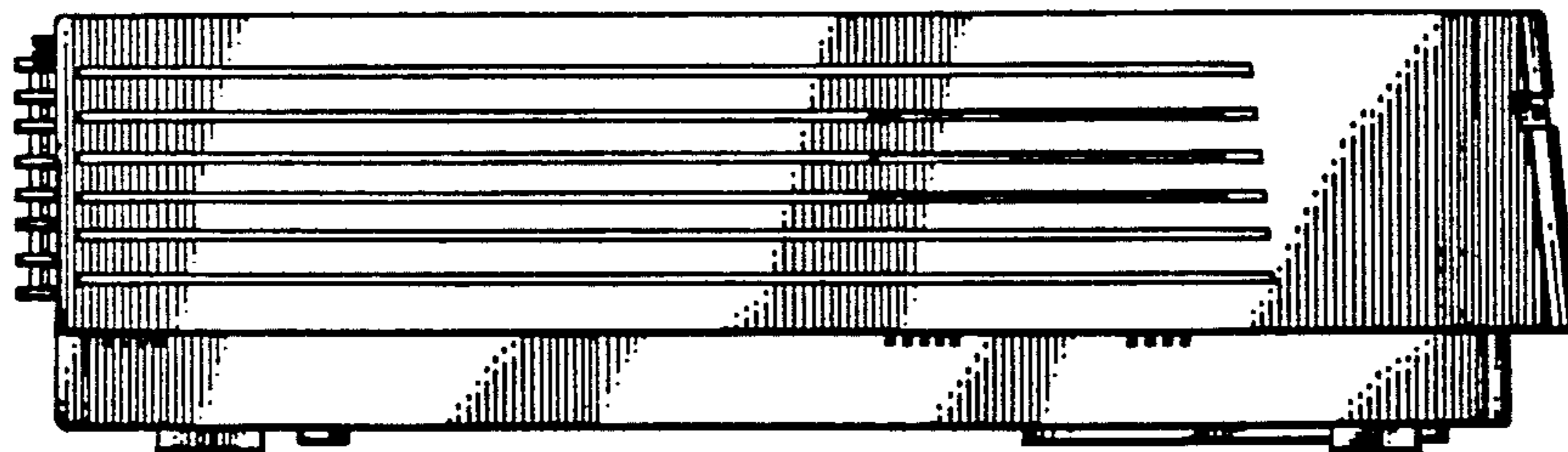
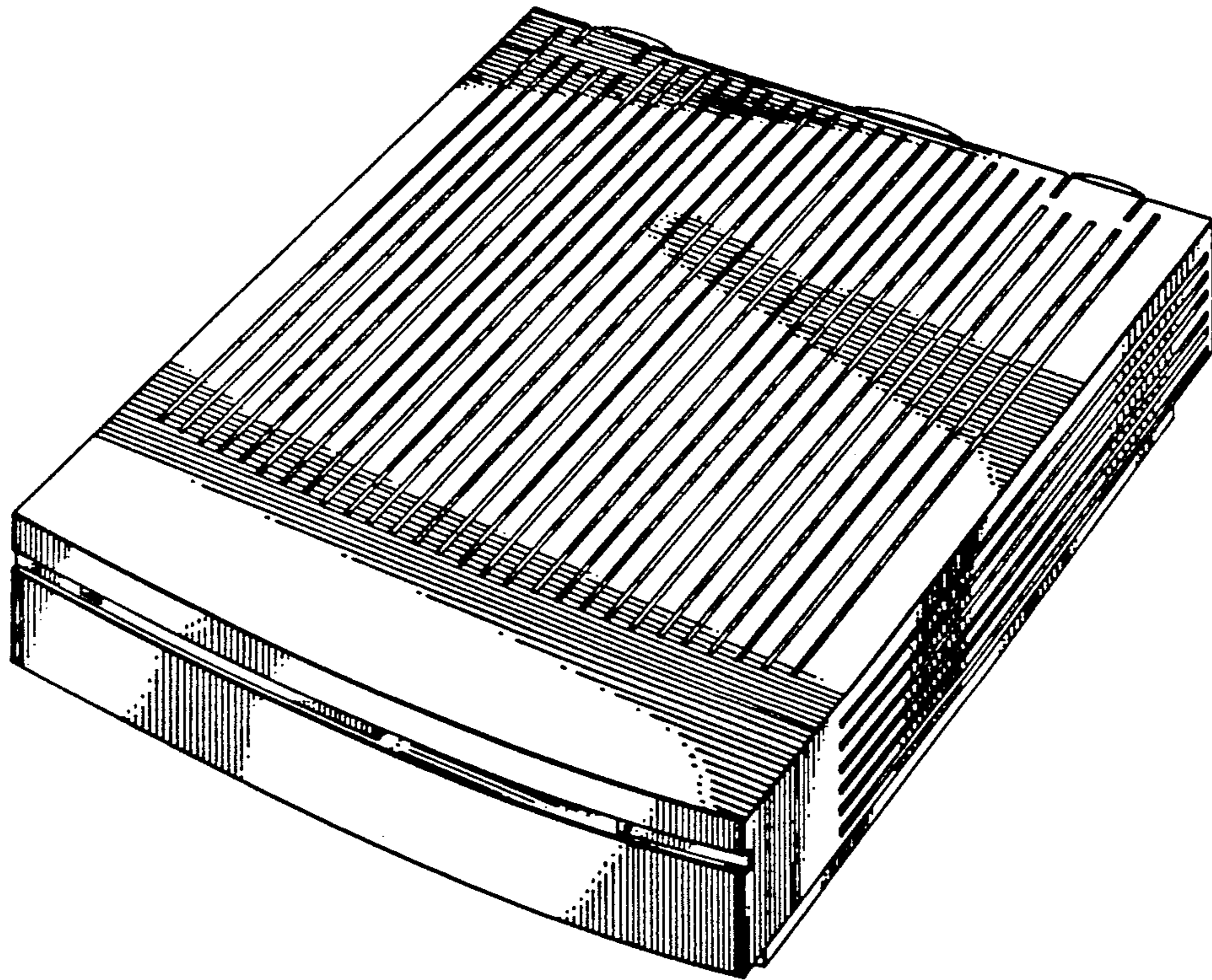


FIG. 1

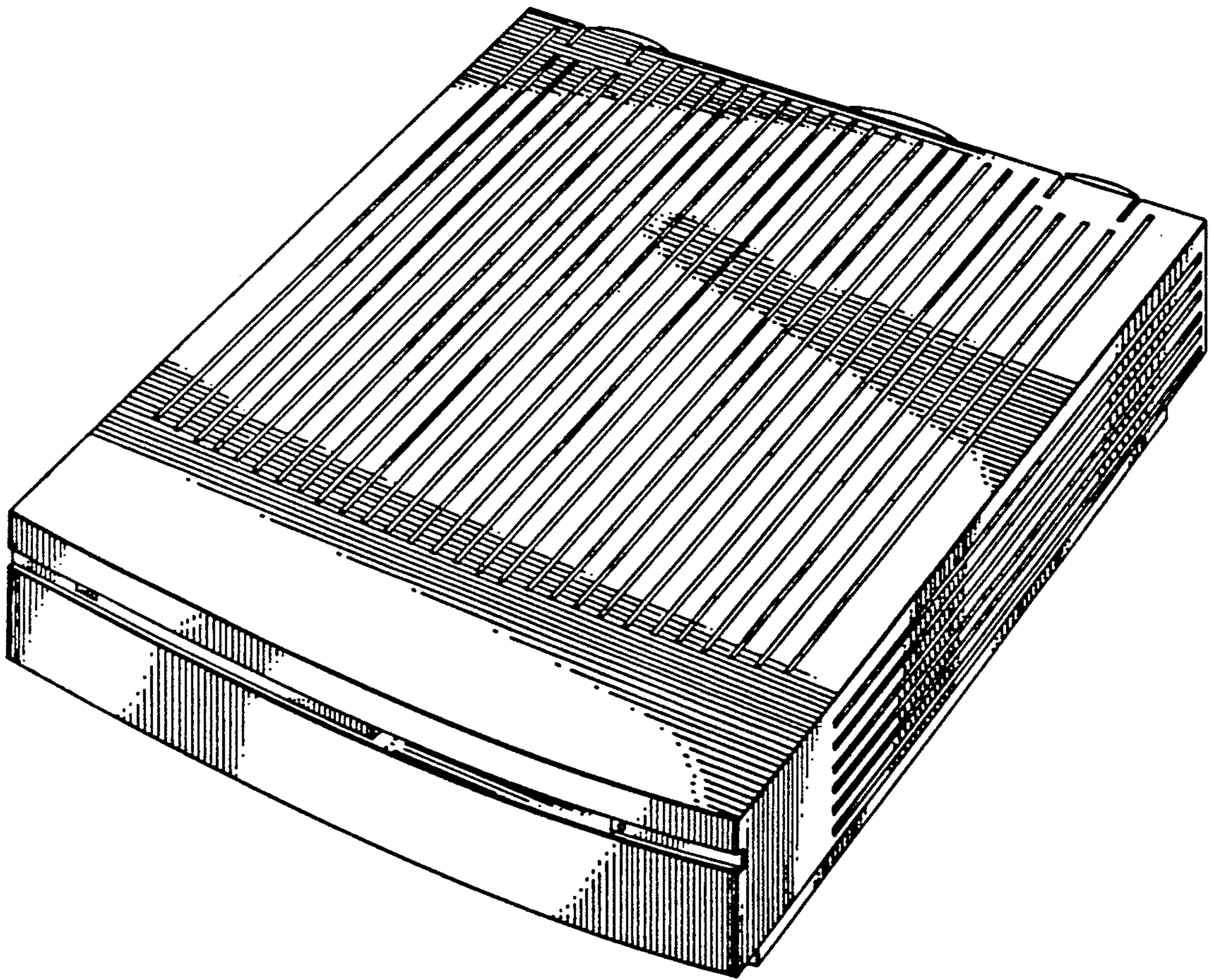


FIG 2

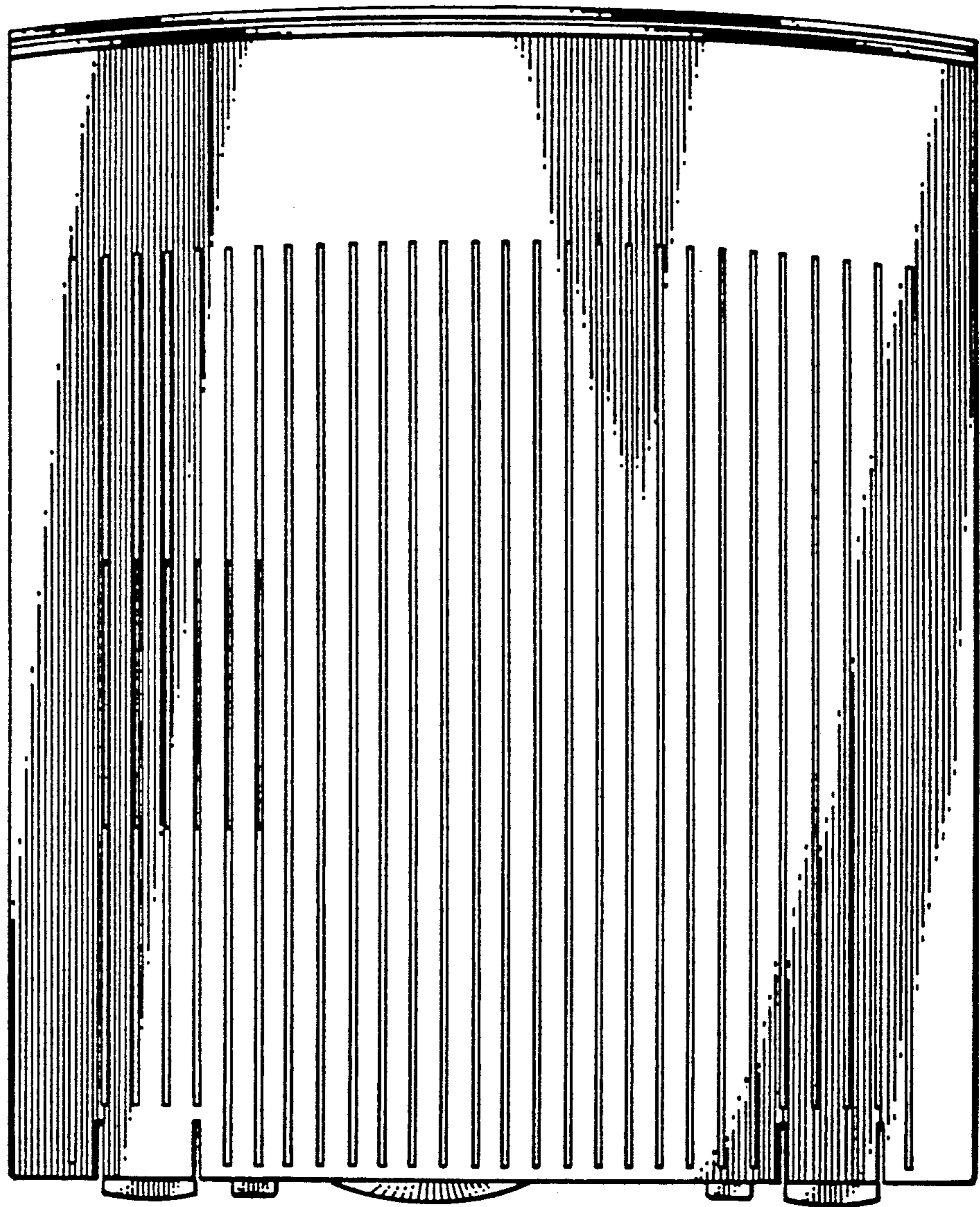


FIG 3

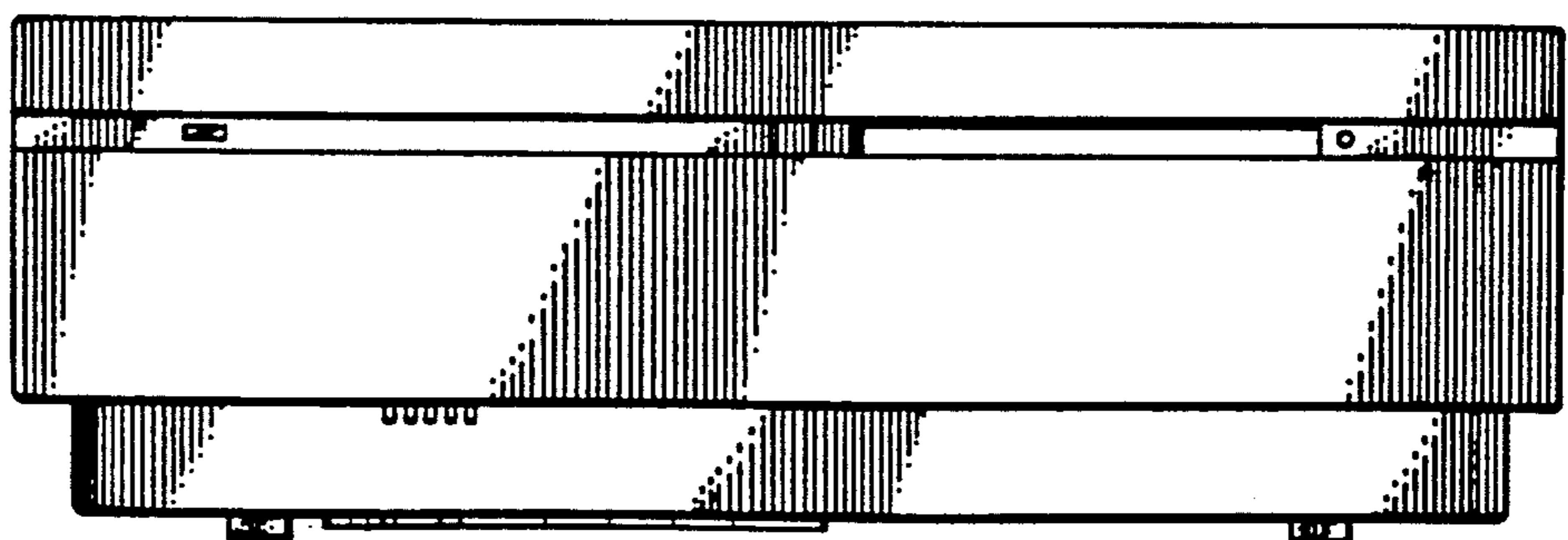


FIG 4

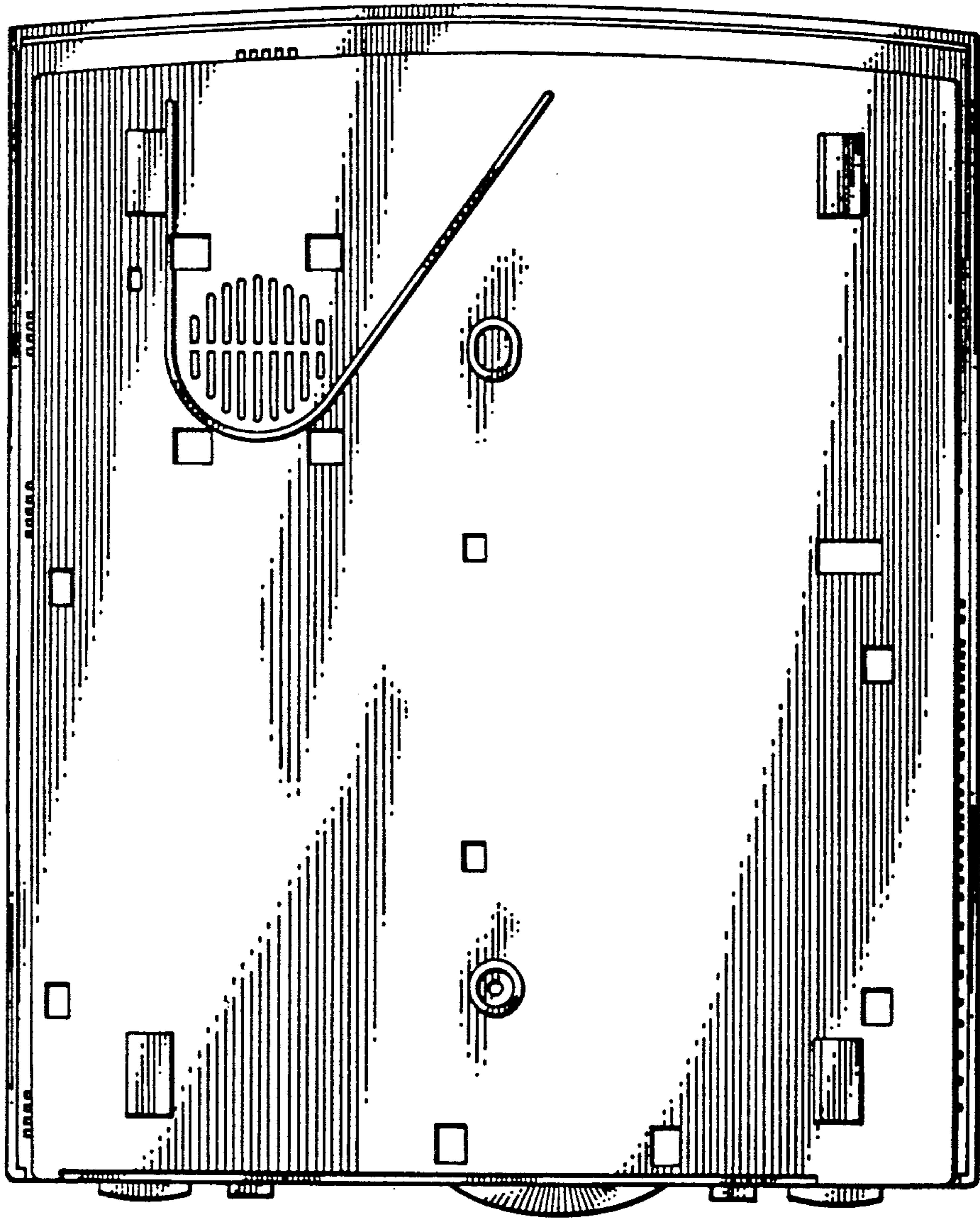


FIG 5

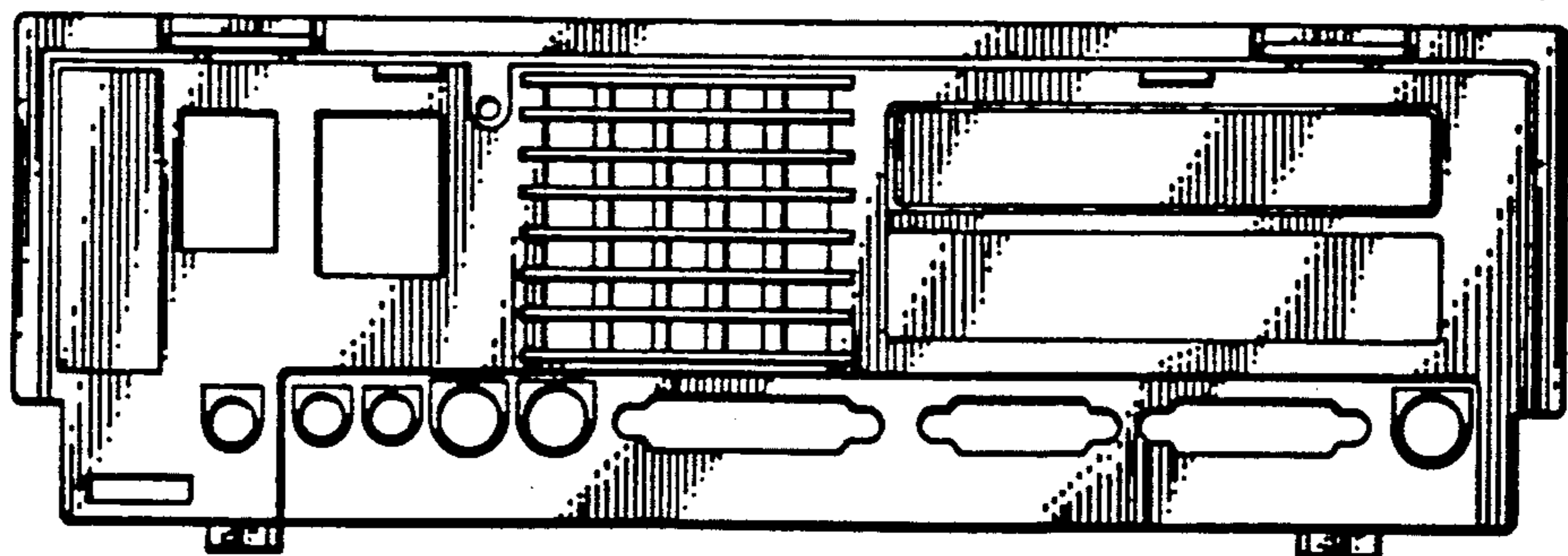


FIG 6

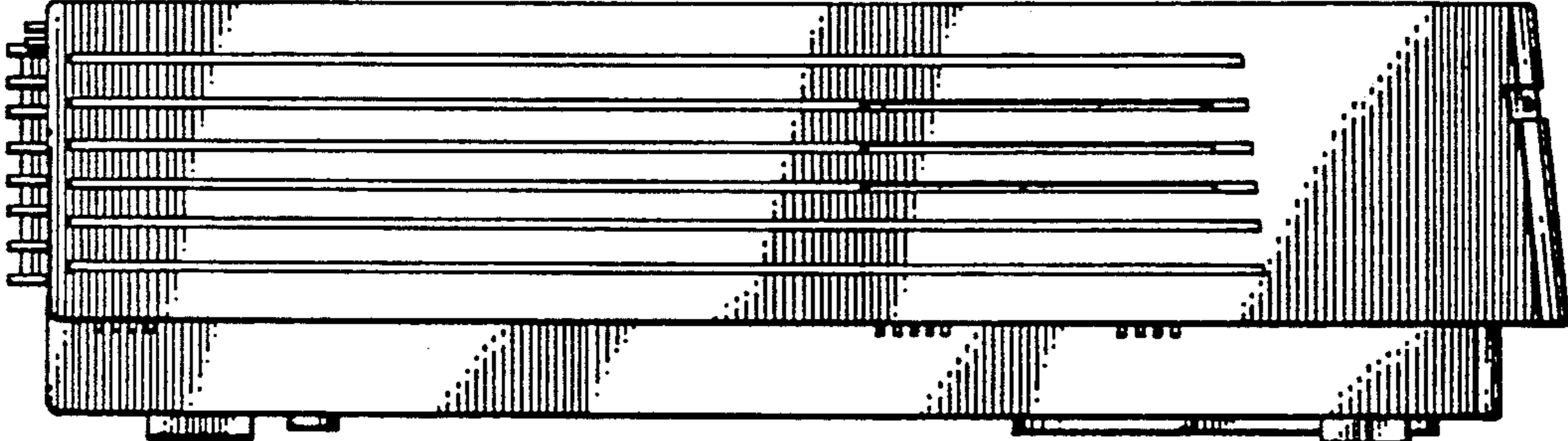


FIG 7

