



US00D328730S

United States Patent [19]

[11] Patent Number: Des. 328,730

Kapp

[45] Date of Patent: ** Aug. 18, 1992

[54] COMBINED VEHICLE GLOVE COMPARTMENT DOOR WITH PIVOTED DUAL CUP HOLDING PANELS

[75] Inventor: Gregory W. Kapp, St. Joseph, Mich.

[73] Assignee: Innocorp Manufacturing, Inc., Coloma, Mich.

[**] Term: 14 Years

[21] Appl. No.: 554,581

[22] Filed: Jul. 18, 1990

[52] U.S. Cl. D12/155

[58] Field of Search D12/155; D3/40; 296/37.12; 108/45

[56] References Cited

U.S. PATENT DOCUMENTS

3,386,765	6/1968	Drach, Jr.	296/37.12
3,503,648	3/1970	James	296/37.12
4,099,814	7/1978	Hasselberger	296/37.12
4,902,061	2/1990	Plavetich et al.	296/37.12

FOREIGN PATENT DOCUMENTS

140280	8/1982	Japan	296/37.12
--------	--------	-------------	-----------

OTHER PUBLICATIONS

J. C. Whitney catalog No. 495P, ©1988, Pop-Up Drink Holders (A), upper right center of page.

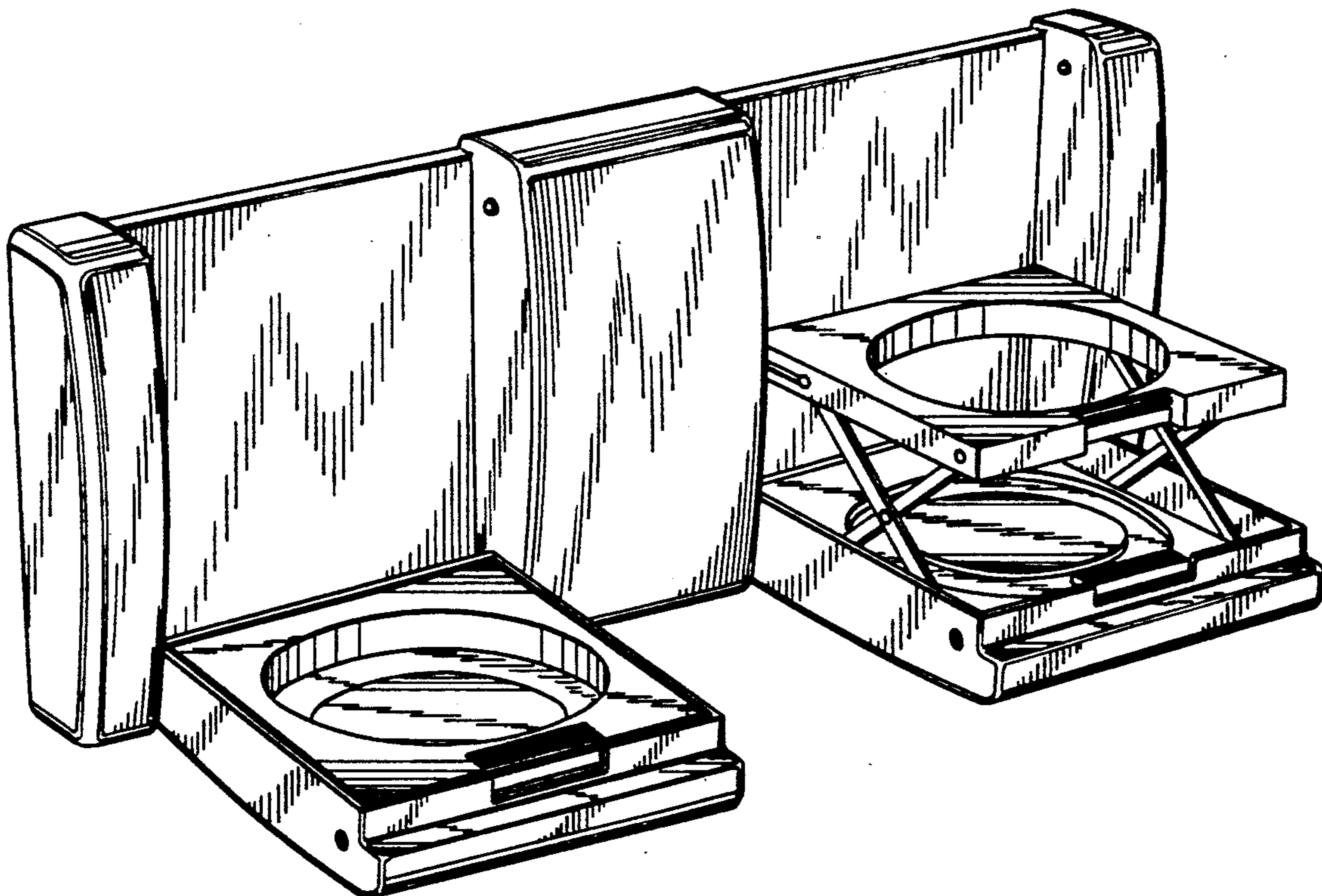
Primary Examiner—James M. Gandy
Attorney, Agent, or Firm—Flynn, Thiel, Boutell & Tanis

[57] CLAIM

The ornamental design for a combined vehicle glove compartment door with pivoted dual cup holding panels, as shown and described.

DESCRIPTION

FIG. 1 is a left front perspective view of a combined vehicle glove compartment door with pivoted dual cup holding panels embodying my new design; FIG. 2 is a left, front perspective view thereof with the pivoted dual cup holding panels in operative condition; FIG. 3 is a top, left, rear perspective view thereof pivoted ninety degrees with respect to FIG. 1; FIG. 4 is an enlarged left end elevation view thereof; FIG. 5 is an enlarged right end elevation view thereof; FIG. 6 is an enlarged top plan view thereof; FIG. 7 is an enlarged bottom plan view thereof; FIG. 8 is an enlarged rear elevation view thereof; and, FIG. 9 is a top, left, rear perspective view thereof attached to a glove compartment which is shown in broken lines for illustrative purposes only and forms no part of the claimed design.



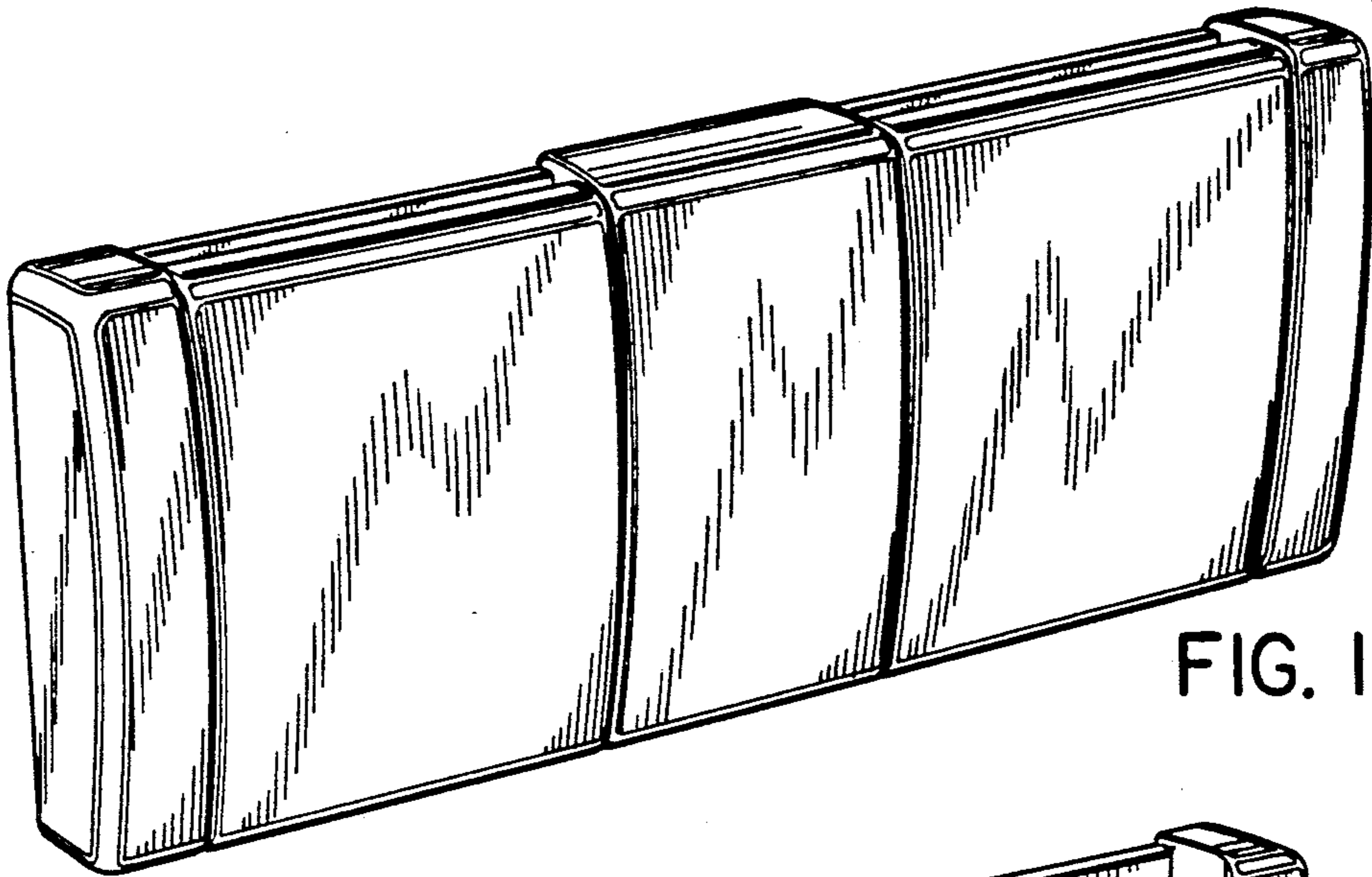


FIG. 1

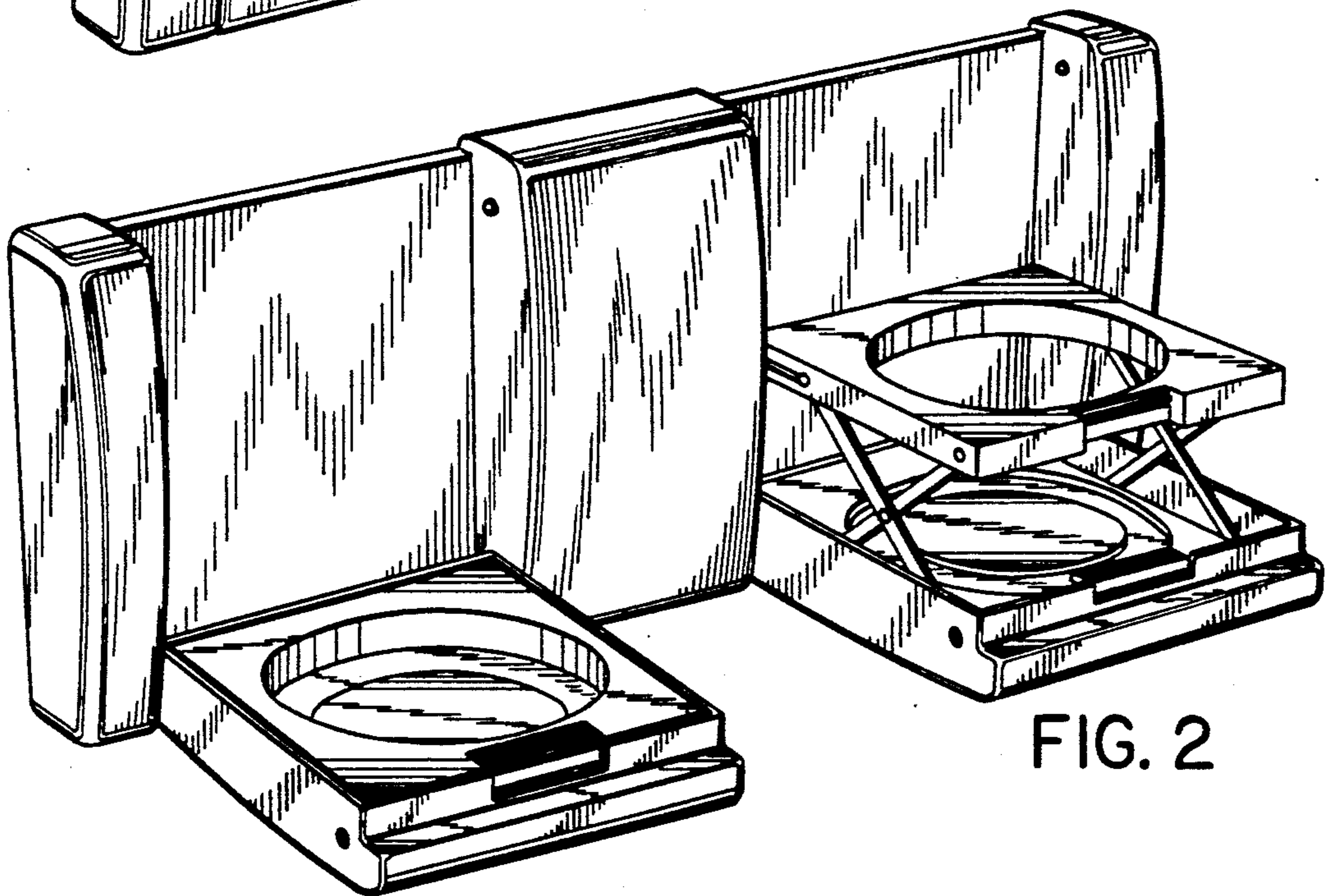


FIG. 2

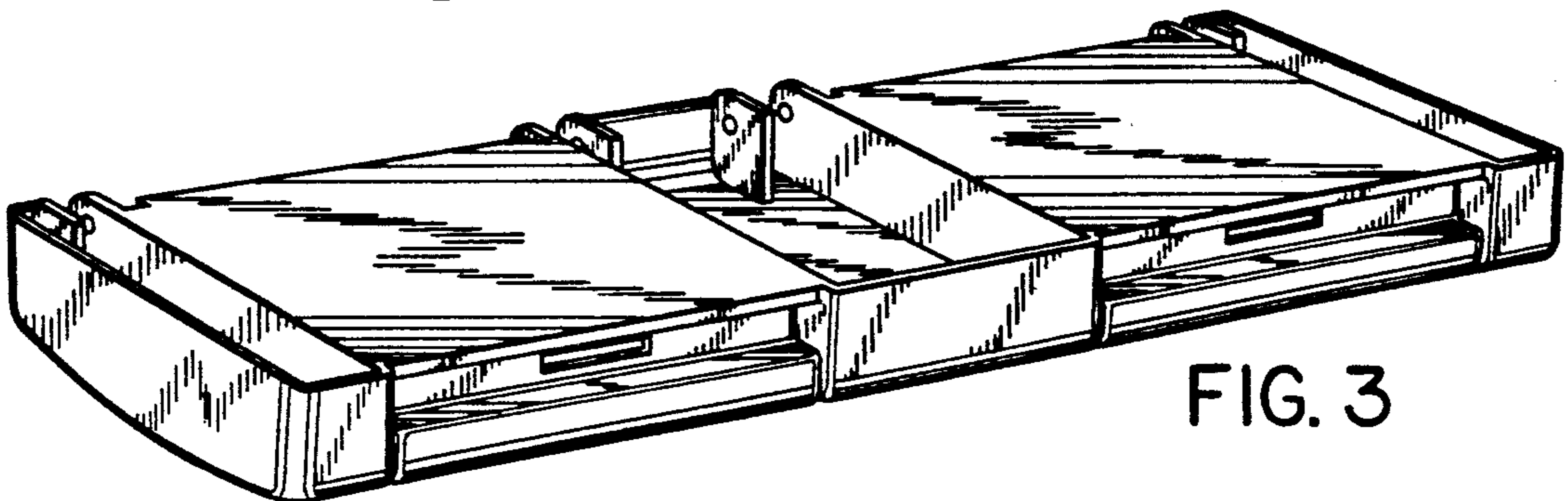


FIG. 3

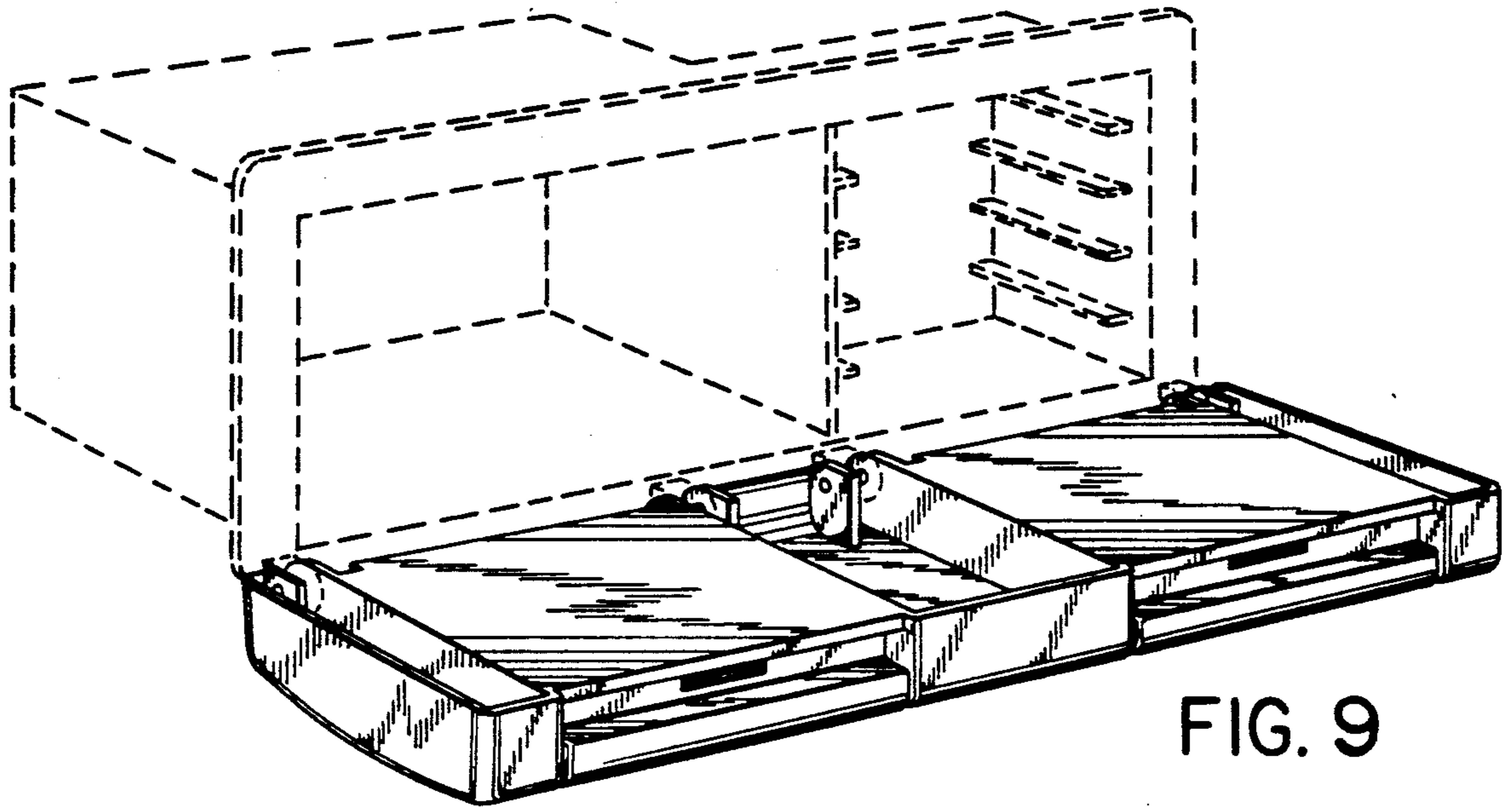


FIG. 9



FIG. 4

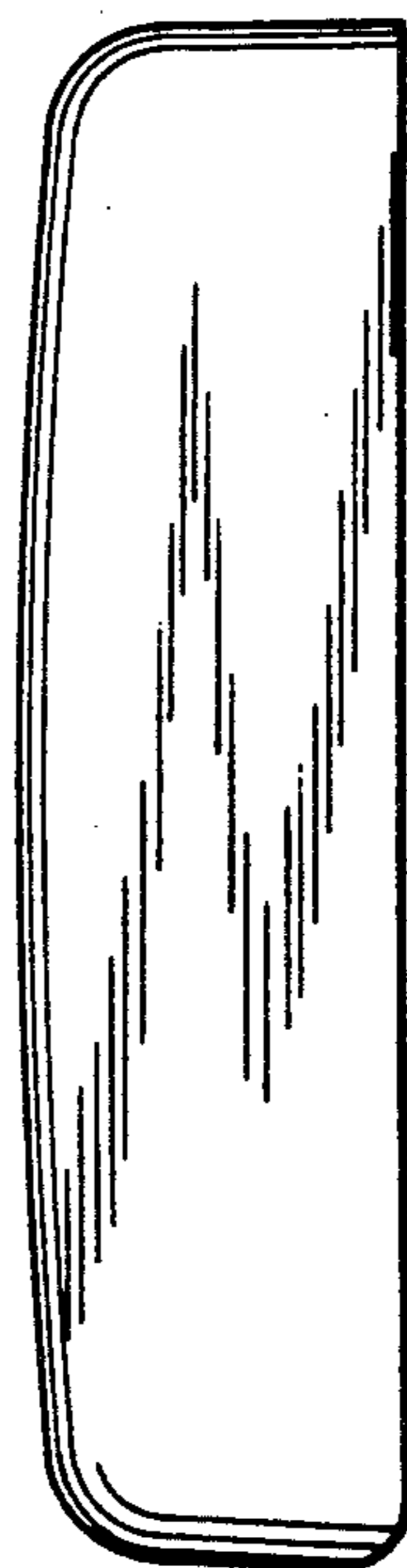


FIG. 5

