



US00D328717S

United States Patent [19]

[11] Patent Number: **Des. 328,717**

Kaneko

[45] Date of Patent: **** Aug. 18, 1992**

[54] WATCH DIAL

[56] References Cited

[75] Inventor: **Ryoichi Kaneko, Tokyo, Japan**

U.S. PATENT DOCUMENTS

D. 104,916	6/1937	DuRocher	D10/30 X
D. 166,533	4/1952	Gault	D10/126
D. 301,558	6/1989	Fontana	D10/126
3,545,199	12/1970	Rice	D10/31 X

[73] Assignee: **Seikosha Co., Ltd., Japan**

Primary Examiner—Nelson C. Holtje
Attorney, Agent, or Firm—Bruce L. Adams; Van C. Wilks

[**] Term: **14 Years**

[21] Appl. No.: **549,687**

[57] CLAIM

The ornamental design for a watch dial, as shown and described.

[22] Filed: **Jul. 9, 1990**

DESCRIPTION

[30] Foreign Application Priority Data

Jan. 18, 1990 [JP] Japan 2-1031

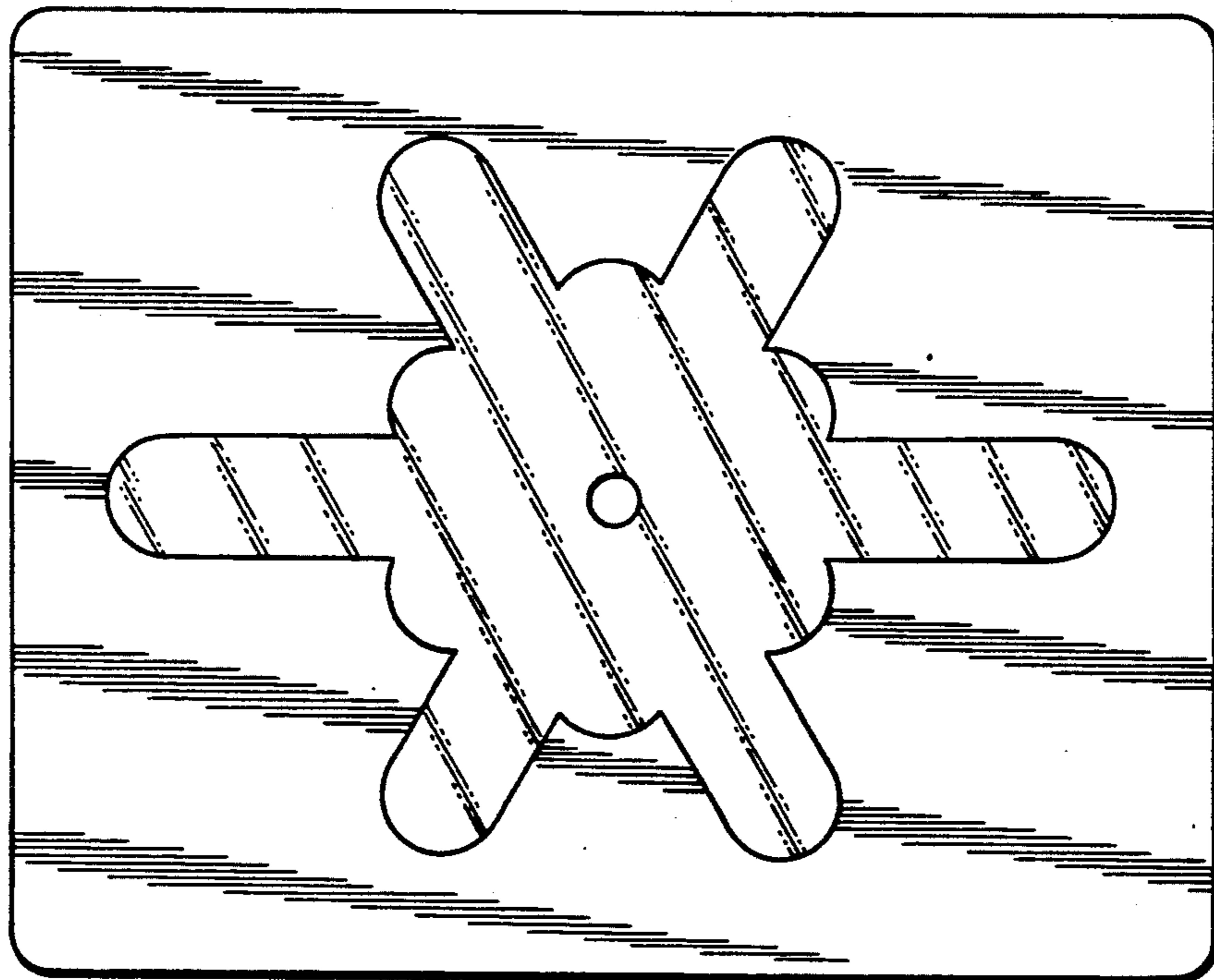
[52] U.S. Cl. **D10/126**

[58] Field of Search **D10/1-40,**
D10/122-132; 368/223, 228, 232, 234,
280-282, 285

FIG. 1 is a front elevational view of a watch dial showing my new design, the rear being the same in appearance as the front;

FIG. 2 is a top plan view thereof, the bottom being the same in appearance as the top; and,

FIG. 3 is a right side elevational view thereof, the left side being the same in appearance as the right side.



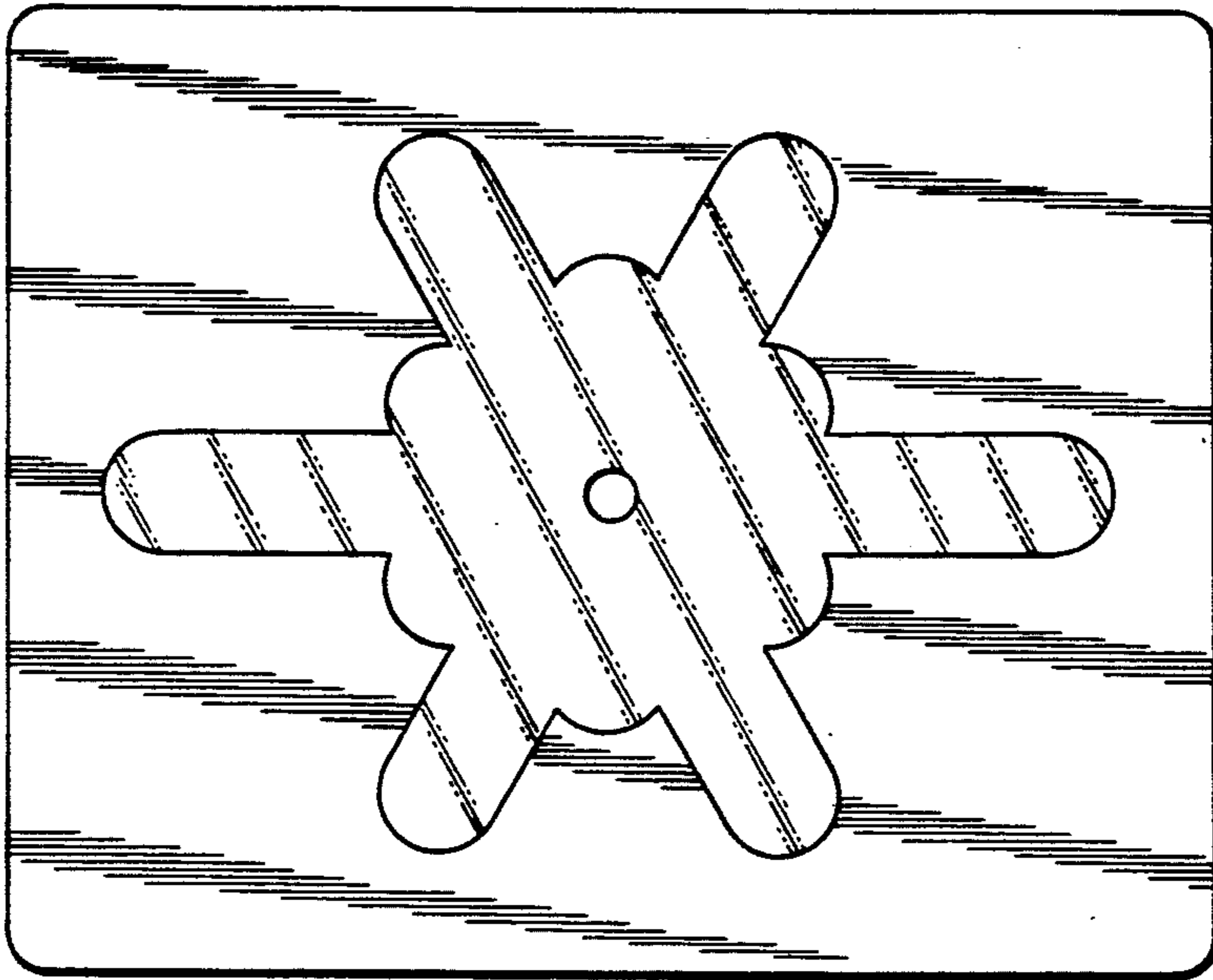


FIG. 1



FIG. 3



FIG. 2