



US00D328703S

# United States Patent [19]

[11] Patent Number: **Des. 328,703**

**Klumpyan**

[45] Date of Patent: **\*\* Aug. 18, 1992**

## [54] UNIT DISPENSING CONTAINER

4,261,468 4/1981 Krebs ..... 206/538  
4,572,376 2/1986 Wrennall ..... 206/538

[76] Inventor: **Richard J. Klumpyan**, Box 212, 509 Walnut St., Marathon, Wis. 54448

## FOREIGN PATENT DOCUMENTS

1410348 8/1965 France ..... 206/533

[\*\*] Term: **14 Years**

*Primary Examiner*—Bernard Ansher  
*Assistant Examiner*—C. Tuttle  
*Attorney, Agent, or Firm*—Joel D. Skinner

[21] Appl. No.: **451,024**

[22] Filed: **Dec. 15, 1989**

[52] U.S. Cl. .... **D9/339**

## [57] CLAIM

[58] Field of Search ..... D9/337, 339, 341, 347, D9/414-418, 428-429; 206/45.34, 528, 533

The ornamental design for a unit dispensing container, as shown and described.

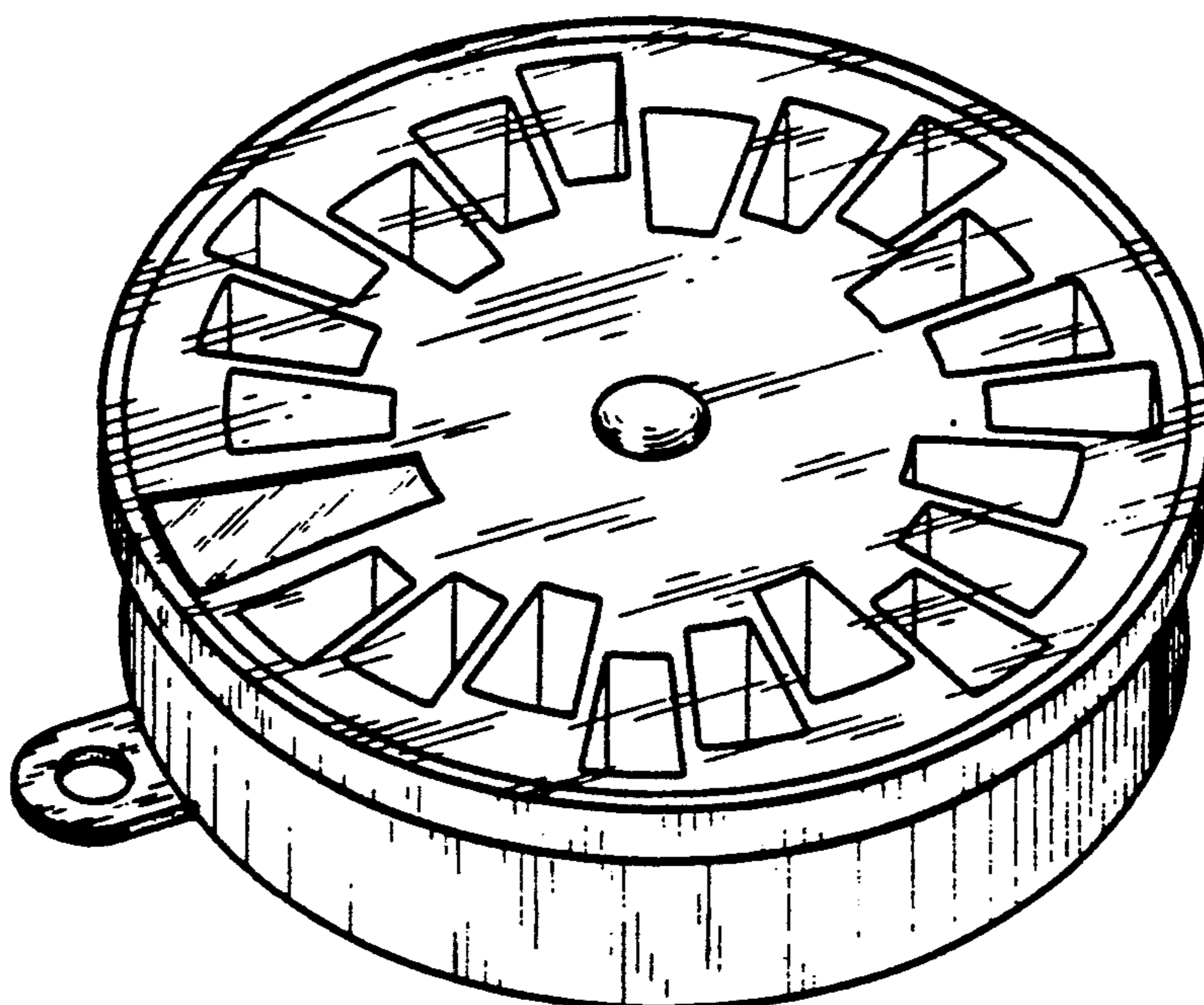
## [56] References Cited

## DESCRIPTION

### U.S. PATENT DOCUMENTS

D. 144,910 6/1946 Crane ..... D9/347 X  
D. 259,858 7/1981 Finkel ..... D9/418  
D. 298,512 11/1988 Gotlib ..... D9/339  
2,953,242 9/1960 Shaw ..... D9/347 X  
3,125,214 3/1964 Merila ..... 206/538 X  
3,561,592 2/1971 McCool ..... 206/534

FIG. 1 is a perspective view of a unit dispensing container showing my new design; FIG. 2 is a top plan view thereof; FIG. 3 is a side elevational view thereof, the side opposite being a mirror image of the side shown; FIG. 4 is a bottom plan view thereof; and, FIG. 5 is a bottom perspective view thereof.



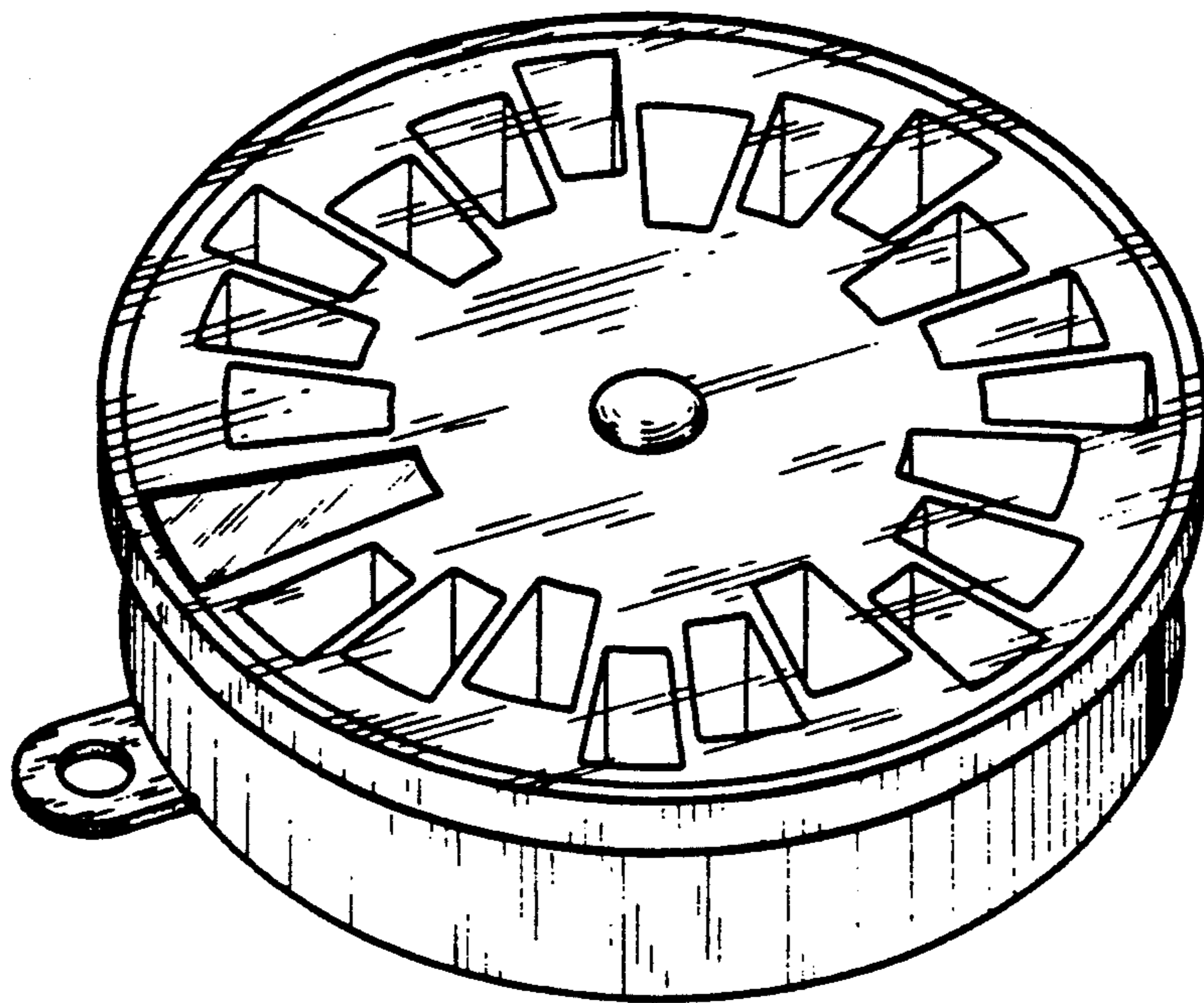


FIG. 1

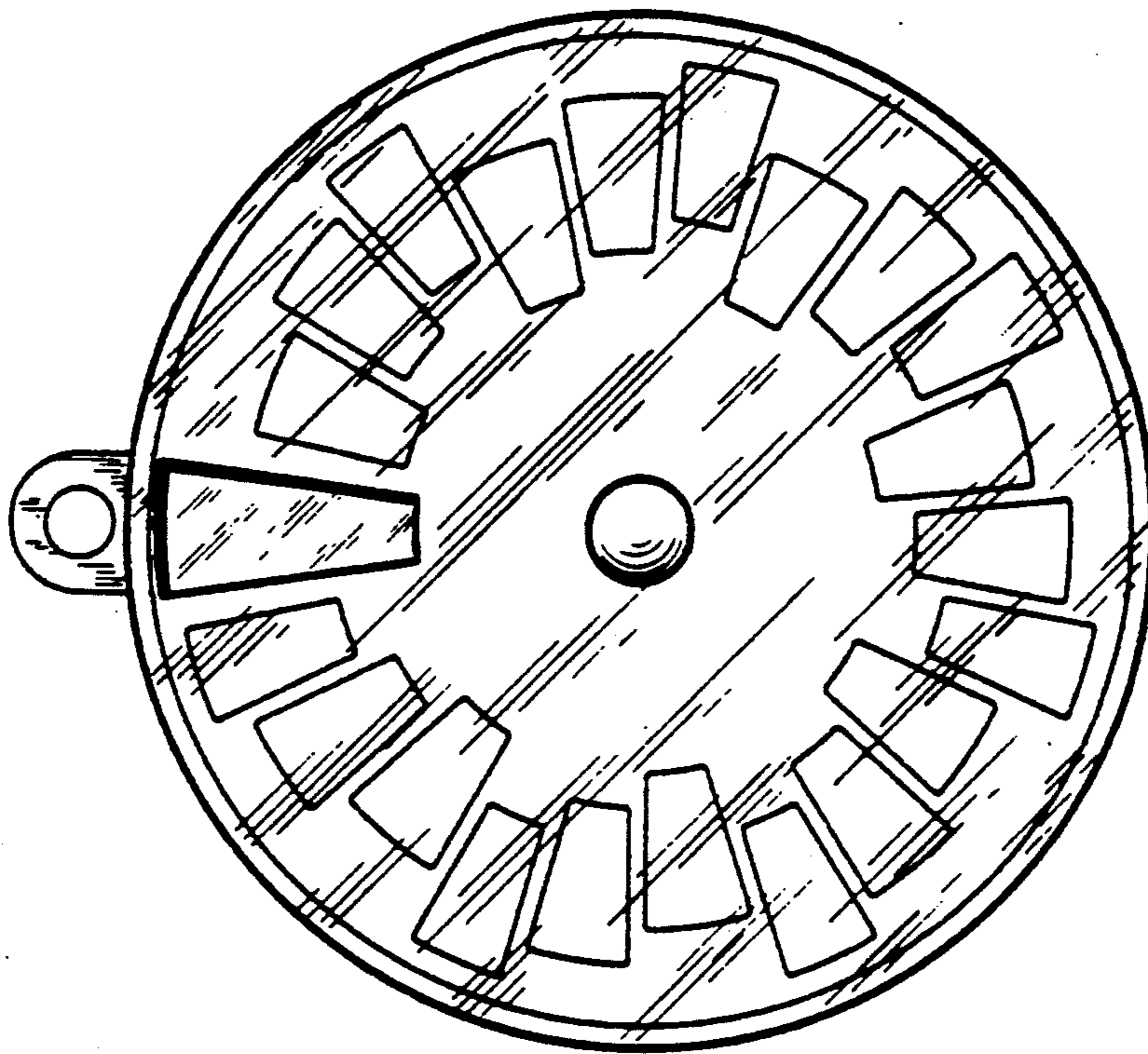


FIG. 2

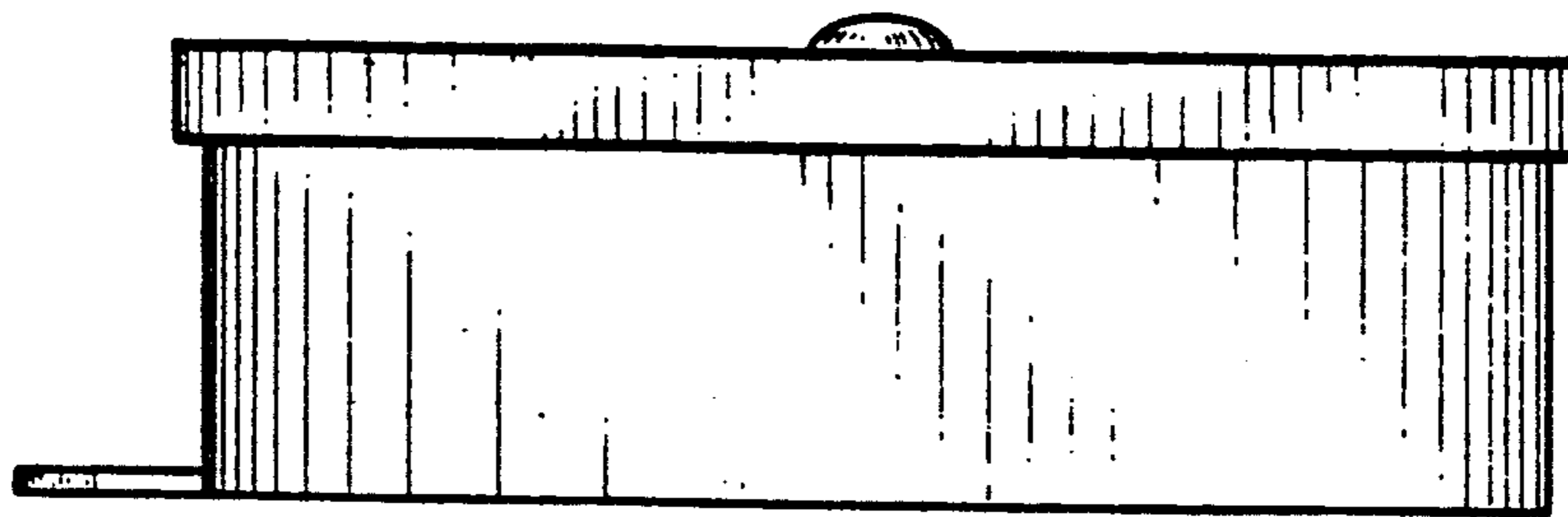


FIG. 3

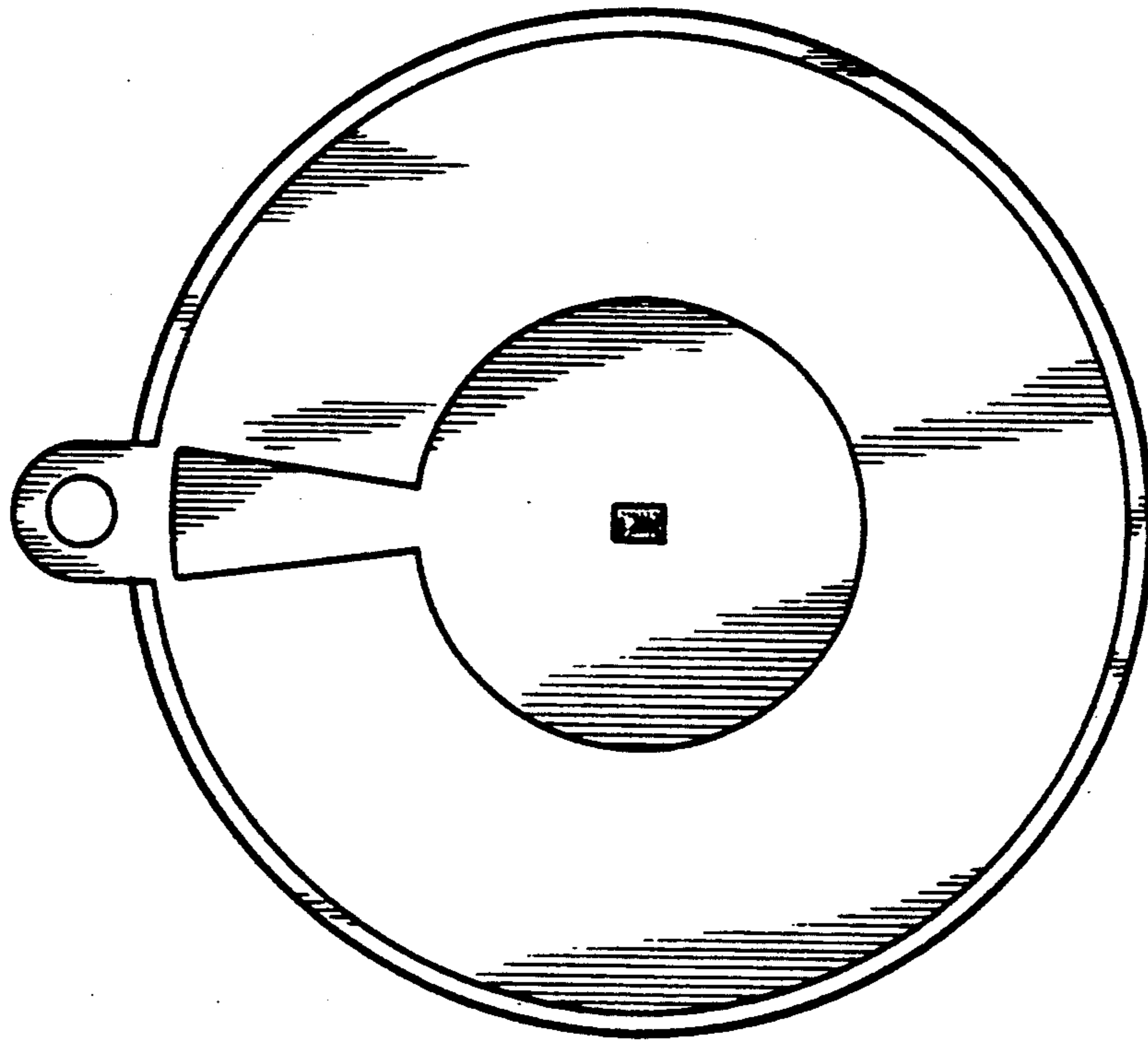


FIG. 4

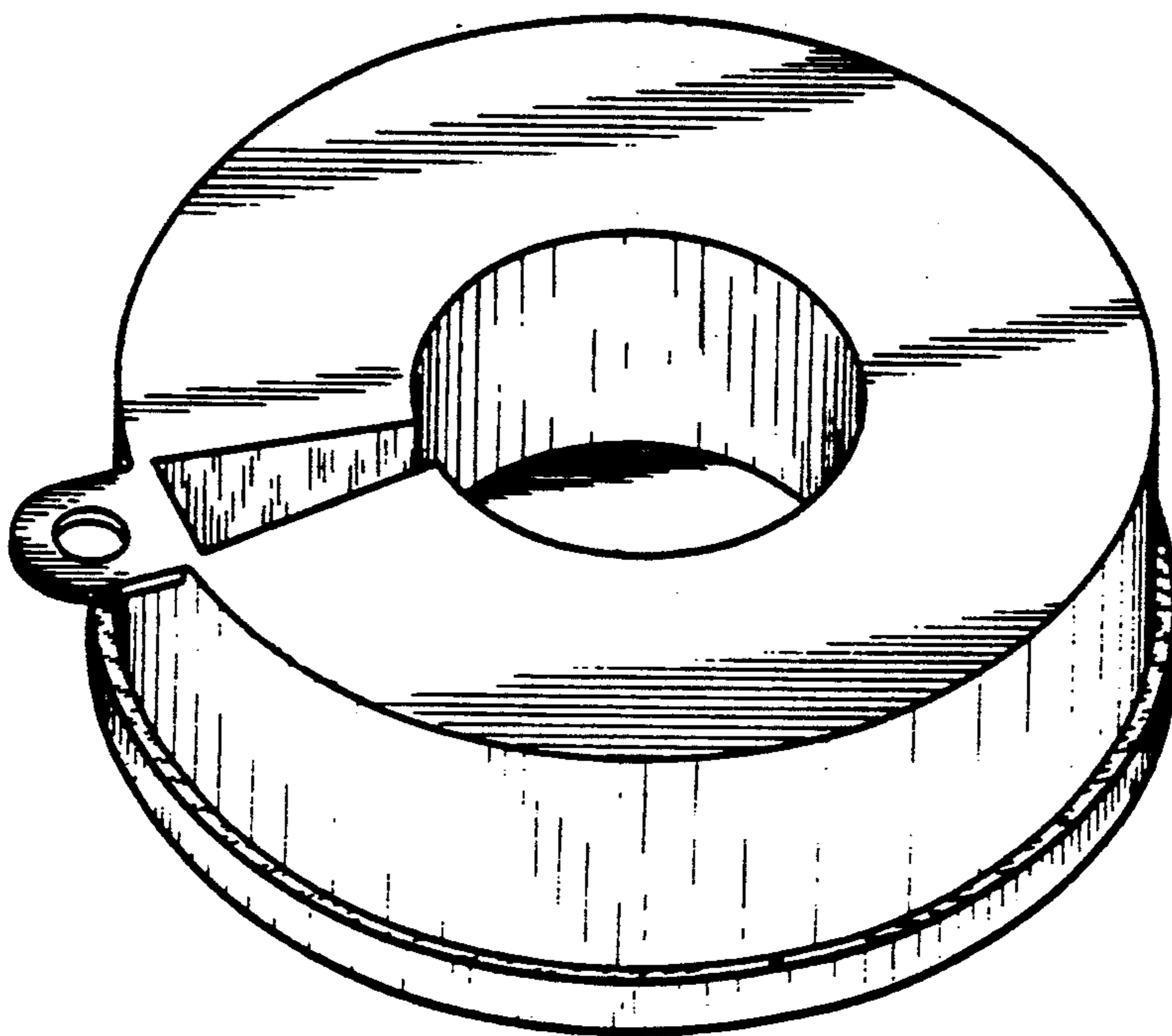


FIG. 5