



US00D328697S

United States Patent [19]

[11] Patent Number: **Des. 328,697**

Goren

[45] Date of Patent: **** Aug. 18, 1992**

[54] **DIAMOND POLISHING BOTTOM DOP**

[76] Inventor: **Efraim Goren, 93-02 68th Ave., Forest Hills, N.Y. 11375**

[**] Term: **14 Years**

[21] Appl. No.: **464,766**

[22] Filed: **Jan. 16, 1990**

[52] U.S. Cl. **D8/71; D15/141**

[58] Field of Search **D8/71; D15/140, 141; 51/229**

[56] **References Cited**

U.S. PATENT DOCUMENTS

D. 302,100	7/1989	Goren	D8/71
1,523,766	1/1925	Gray	51/229
2,435,971	2/1948	Ludel	51/229
3,948,006	4/1976	Waldman	51/229
3,975,867	8/1976	Dotson	51/229
4,287,687	9/1981	Wilson	51/229

Primary Examiner—Donald P. Walsh

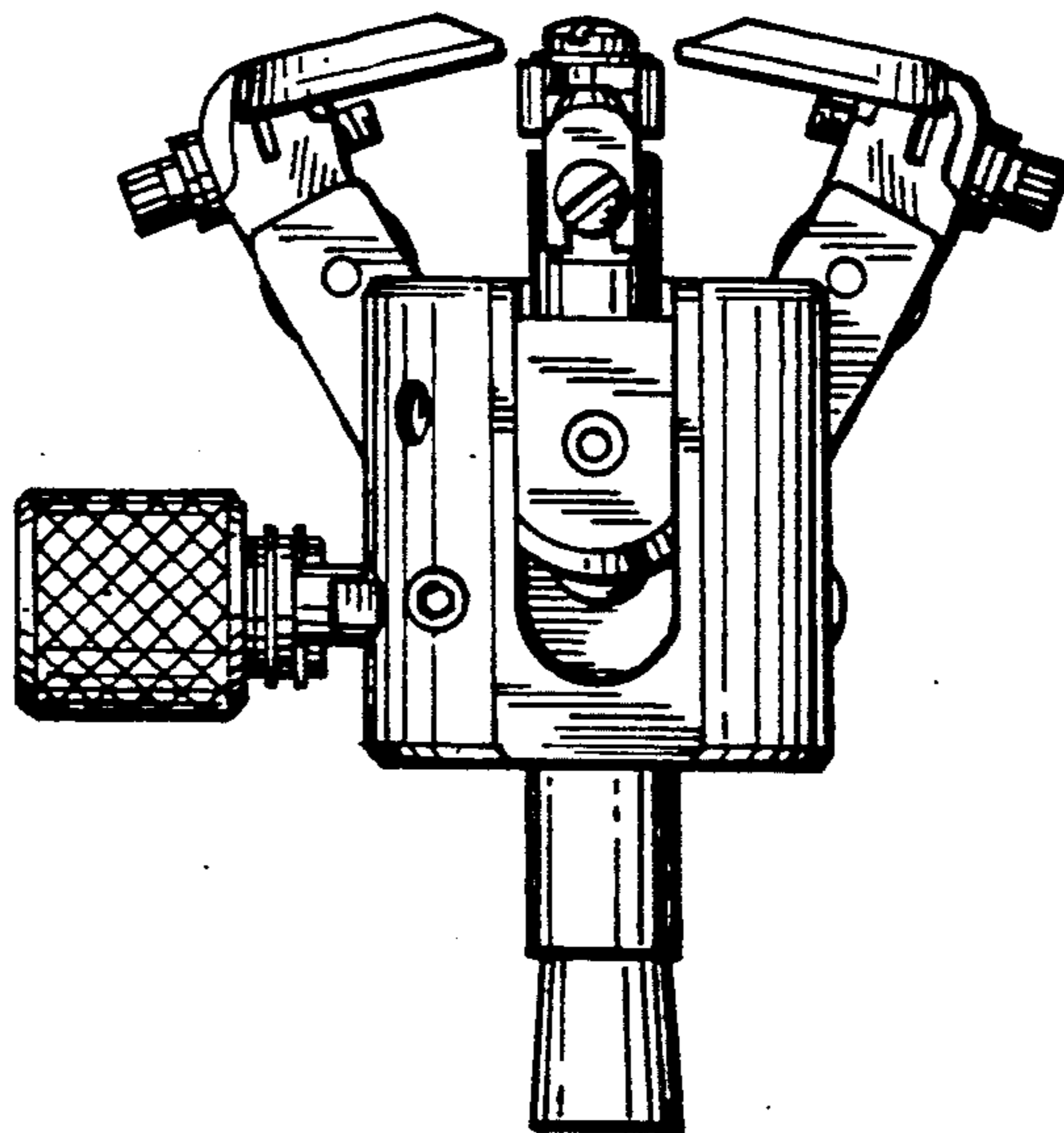
Assistant Examiner—Antoine D. Davis
Attorney, Agent, or Firm—Goodman & Teitelbaum

[57] **CLAIM**

The ornamental design for a diamond polishing bottom dop, as shown and described.

DESCRIPTION

FIG. 1 is a front elevational view of a diamond polishing bottom dop showing my new design;
 FIG. 2 is a rear elevational view;
 FIG. 3 is a top plan view;
 FIG. 4 is a bottom plan view;
 FIG. 5 is a left side elevational view;
 FIG. 6 is a right side elevational view;
 FIG. 7 is a front elevational view of a second embodiment of my new design of FIGS. 1-6; and
 FIG. 8 is a rear elevational view;
 FIG. 9 is a top plan view;
 FIG. 10 is a bottom plan view;
 FIG. 11 is a left side elevational view; and,
 FIG. 12 is a right side elevational view thereof.



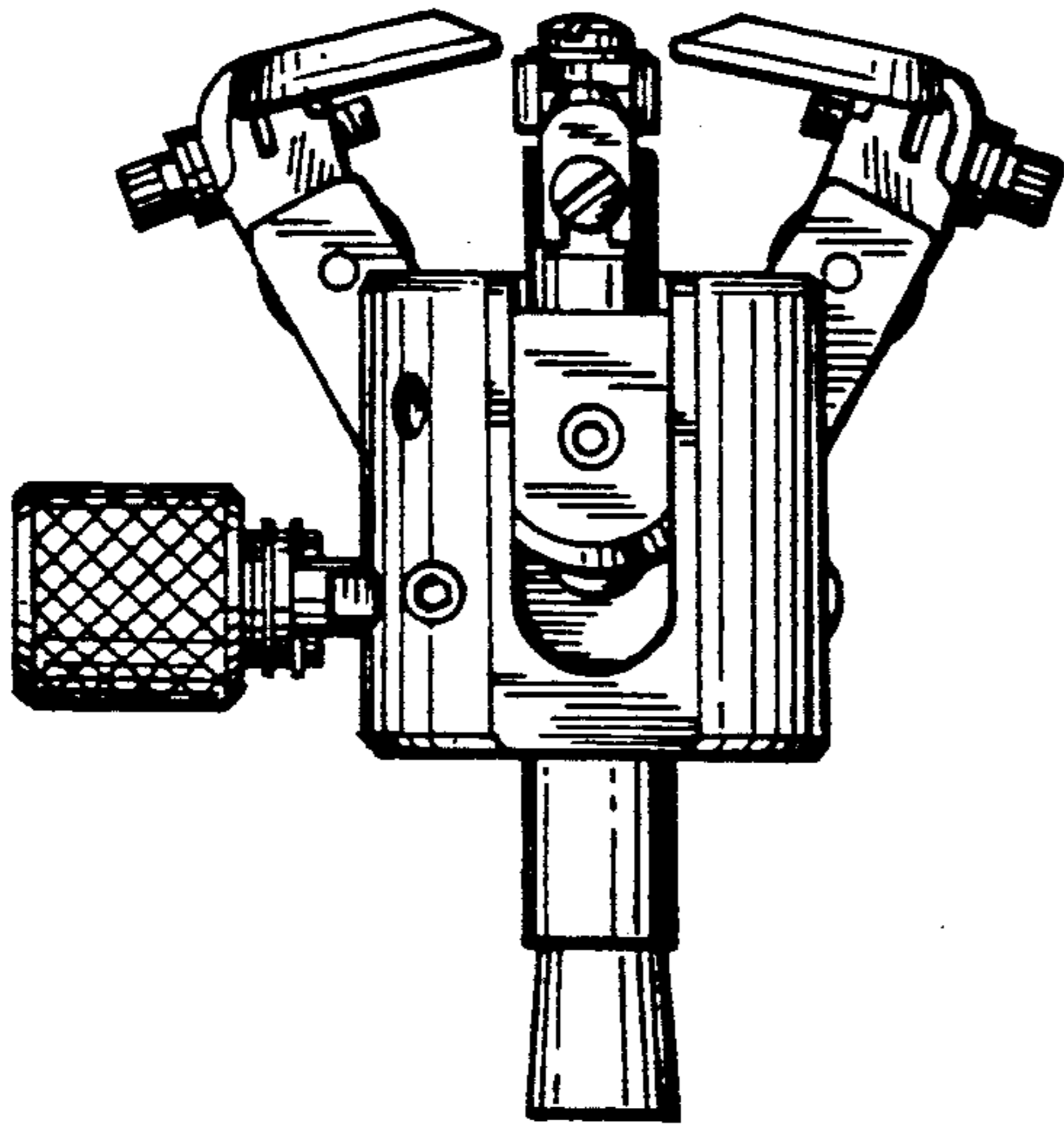


FIG. 1

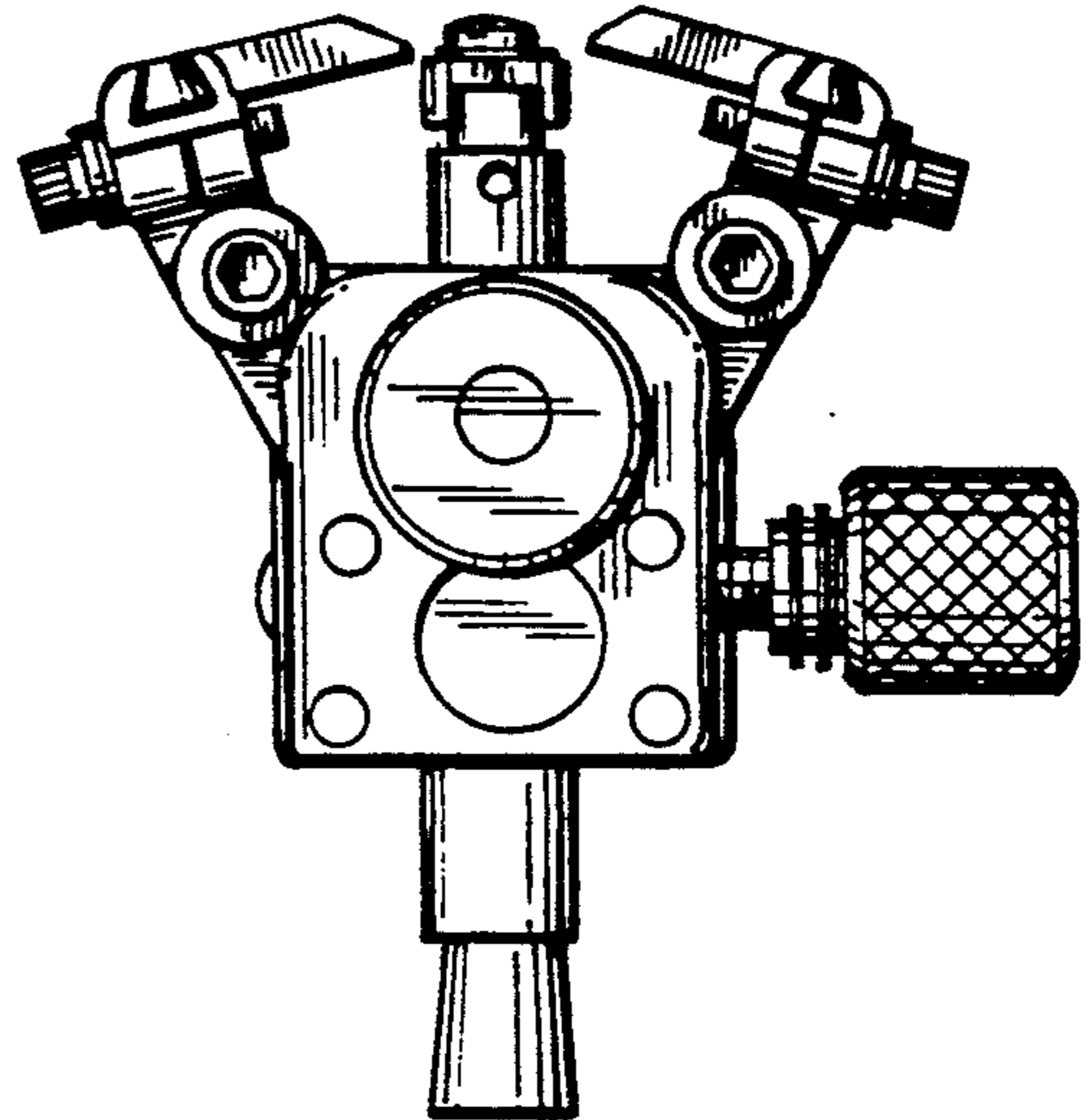


FIG. 2

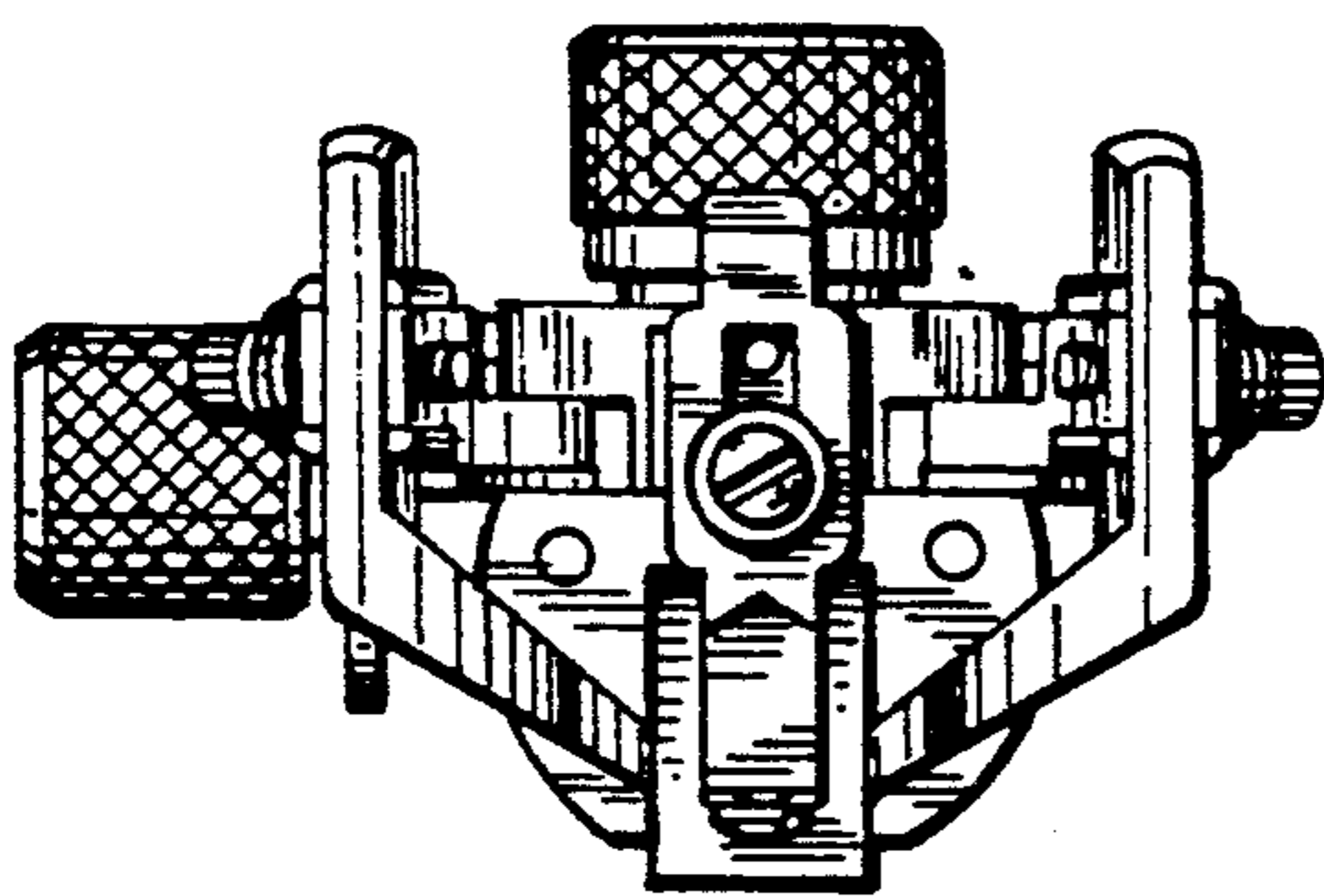


FIG. 3

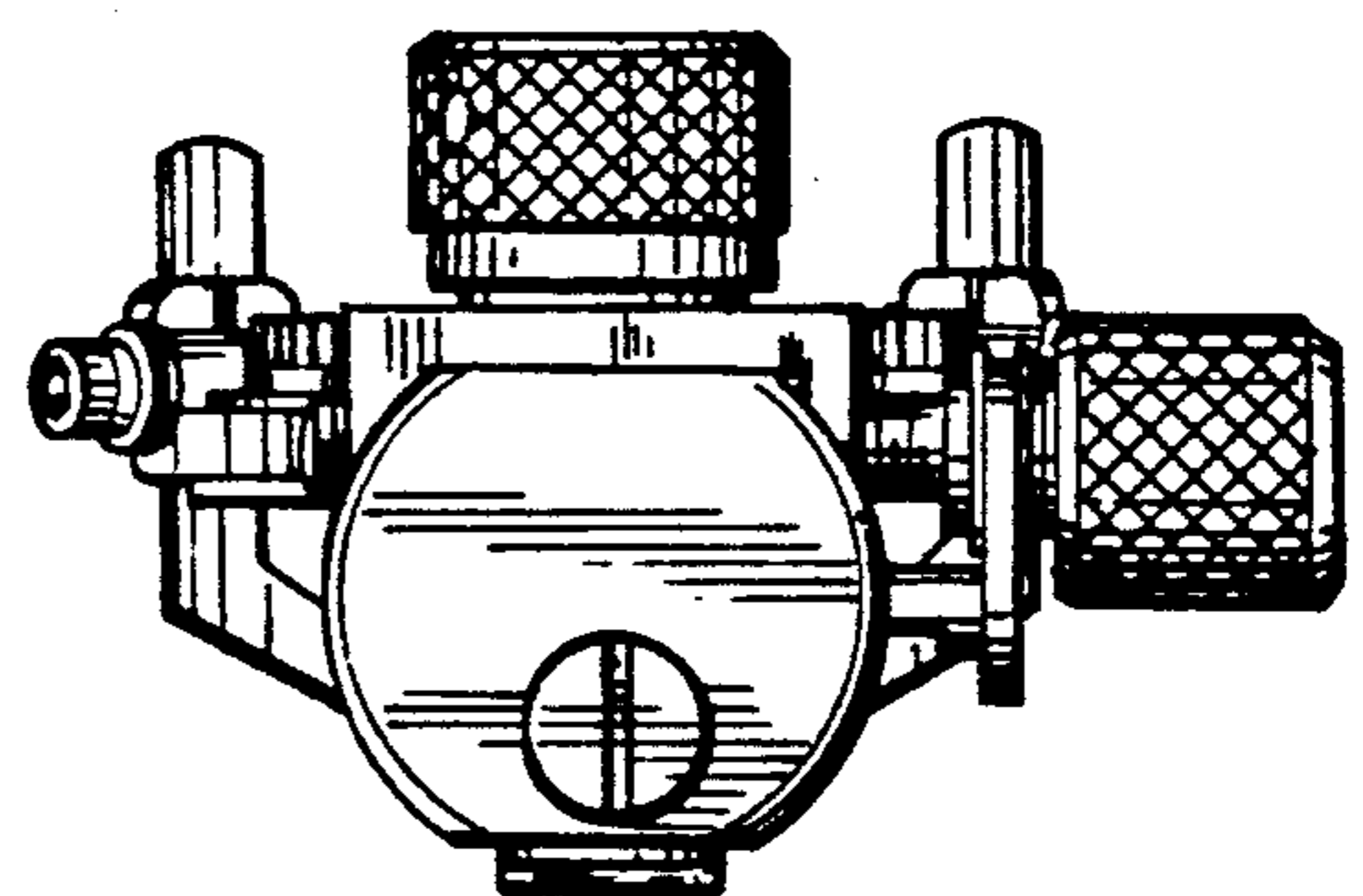


FIG. 4

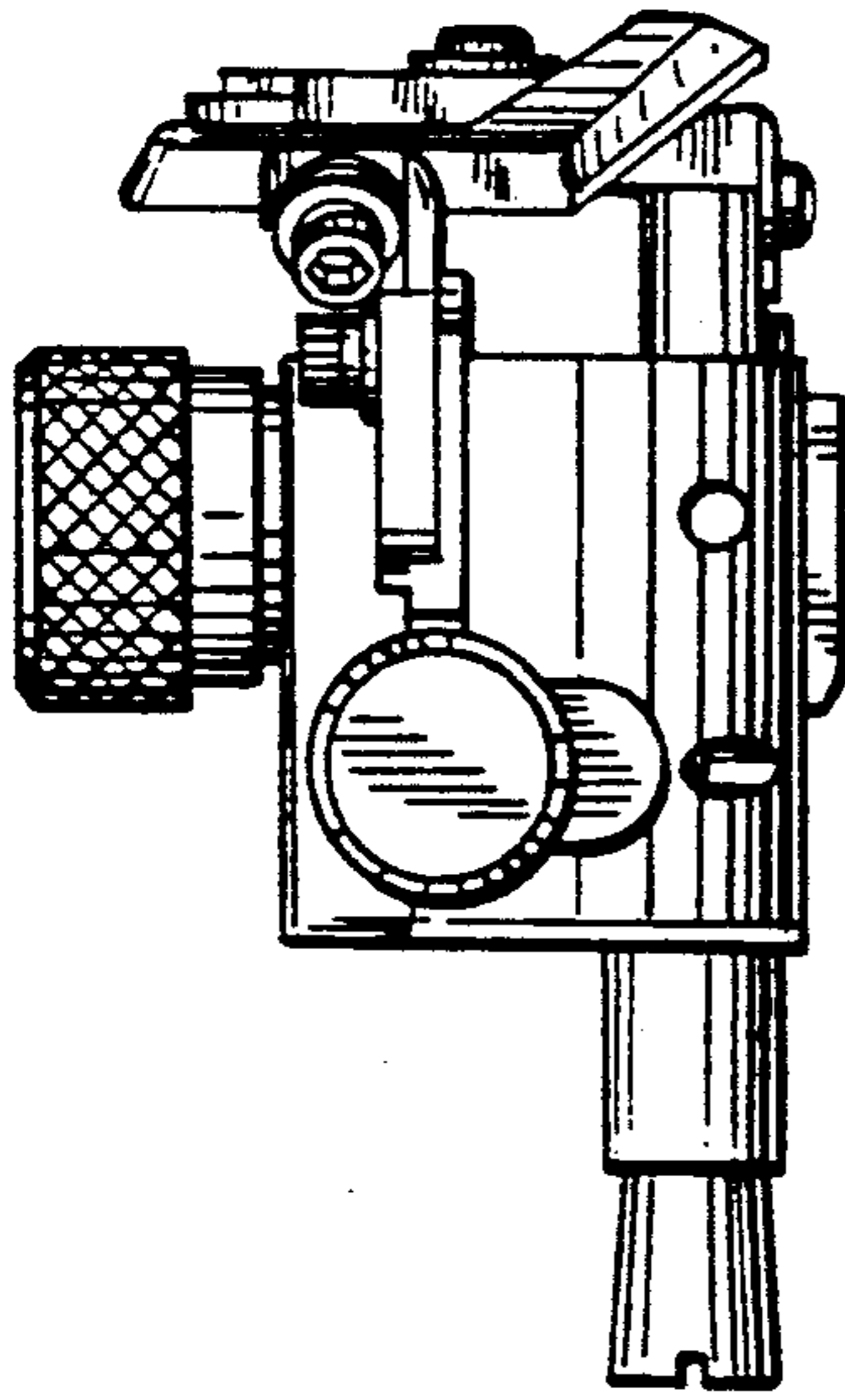


FIG. 5

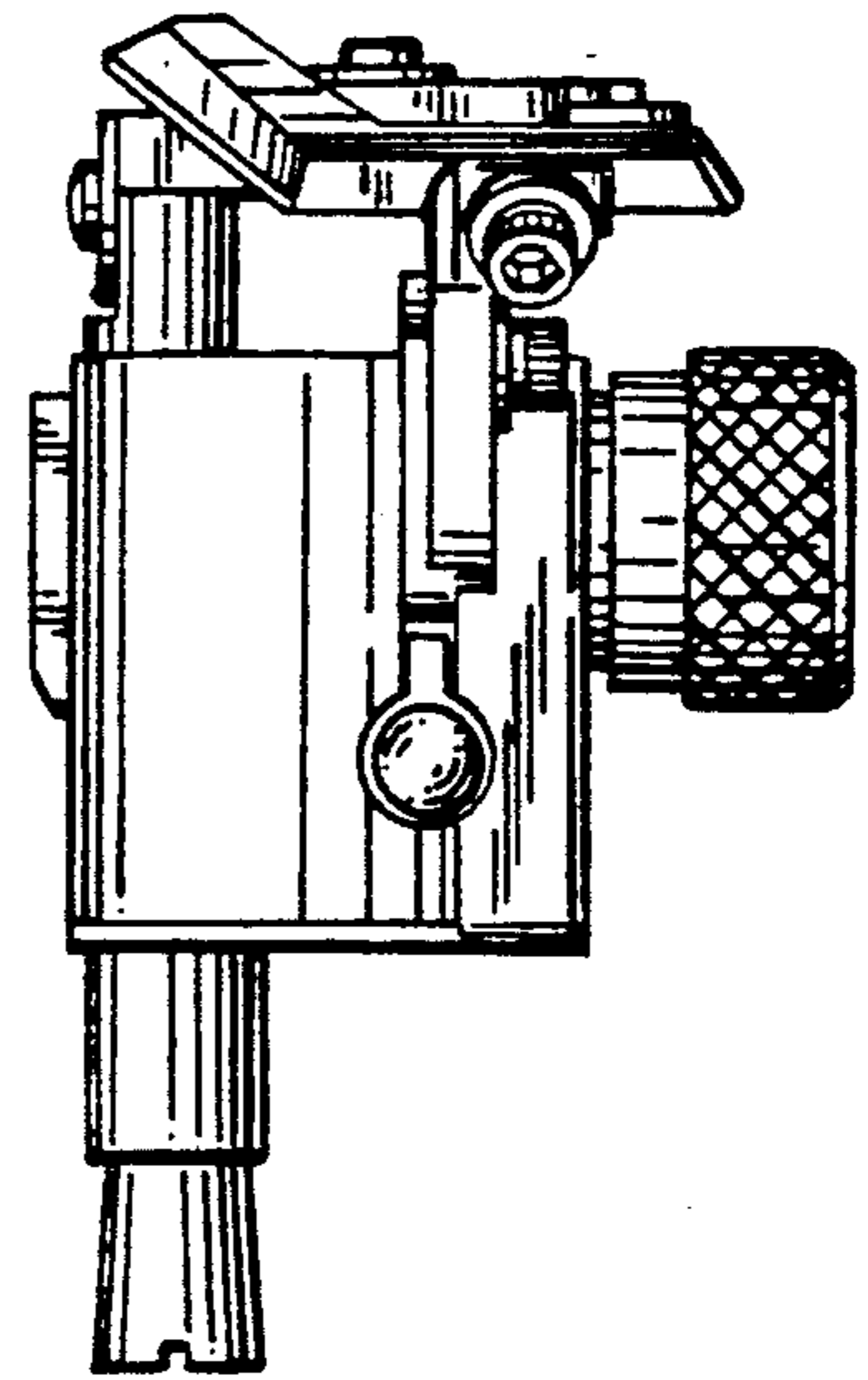


FIG. 6

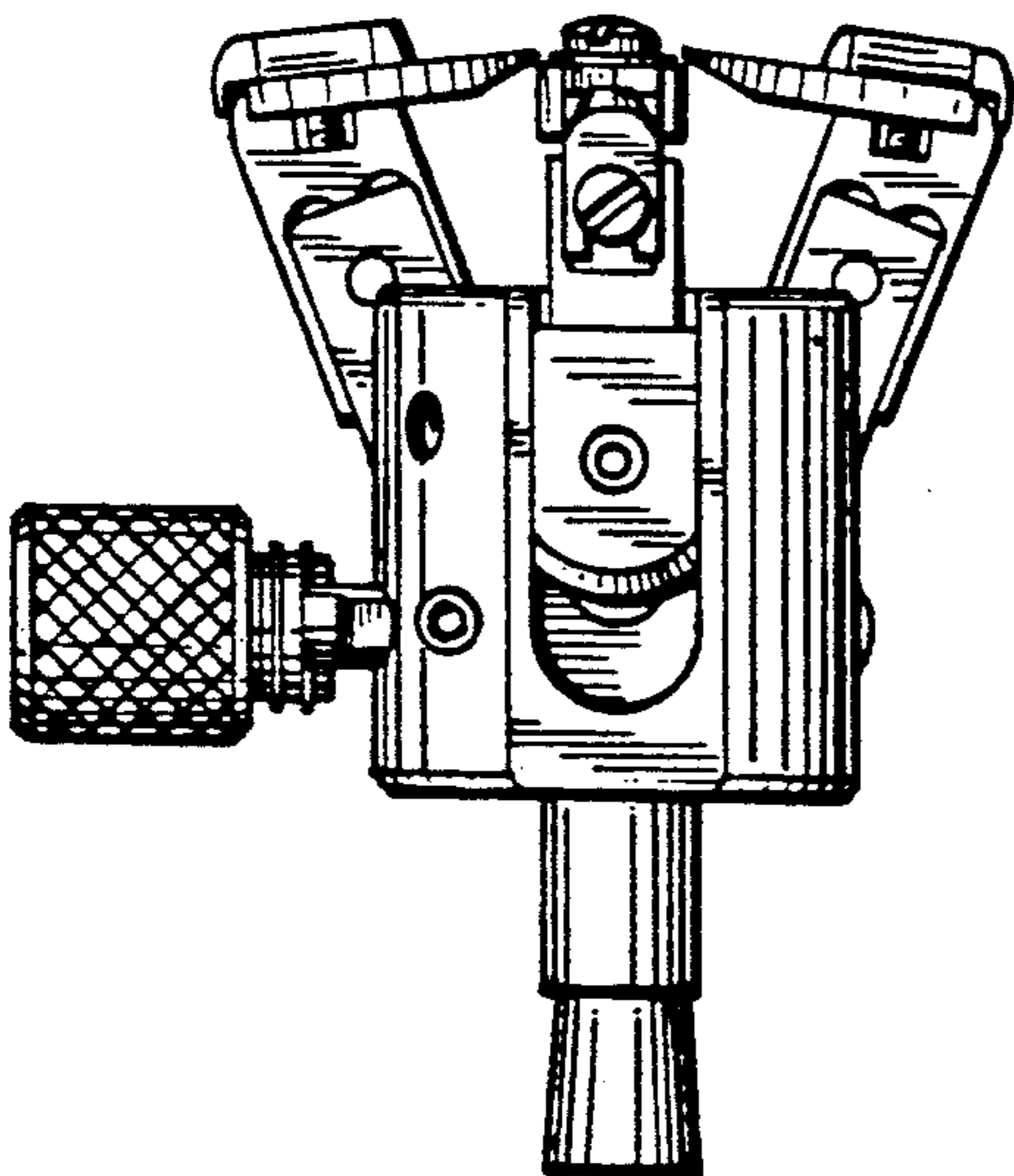


FIG. 7

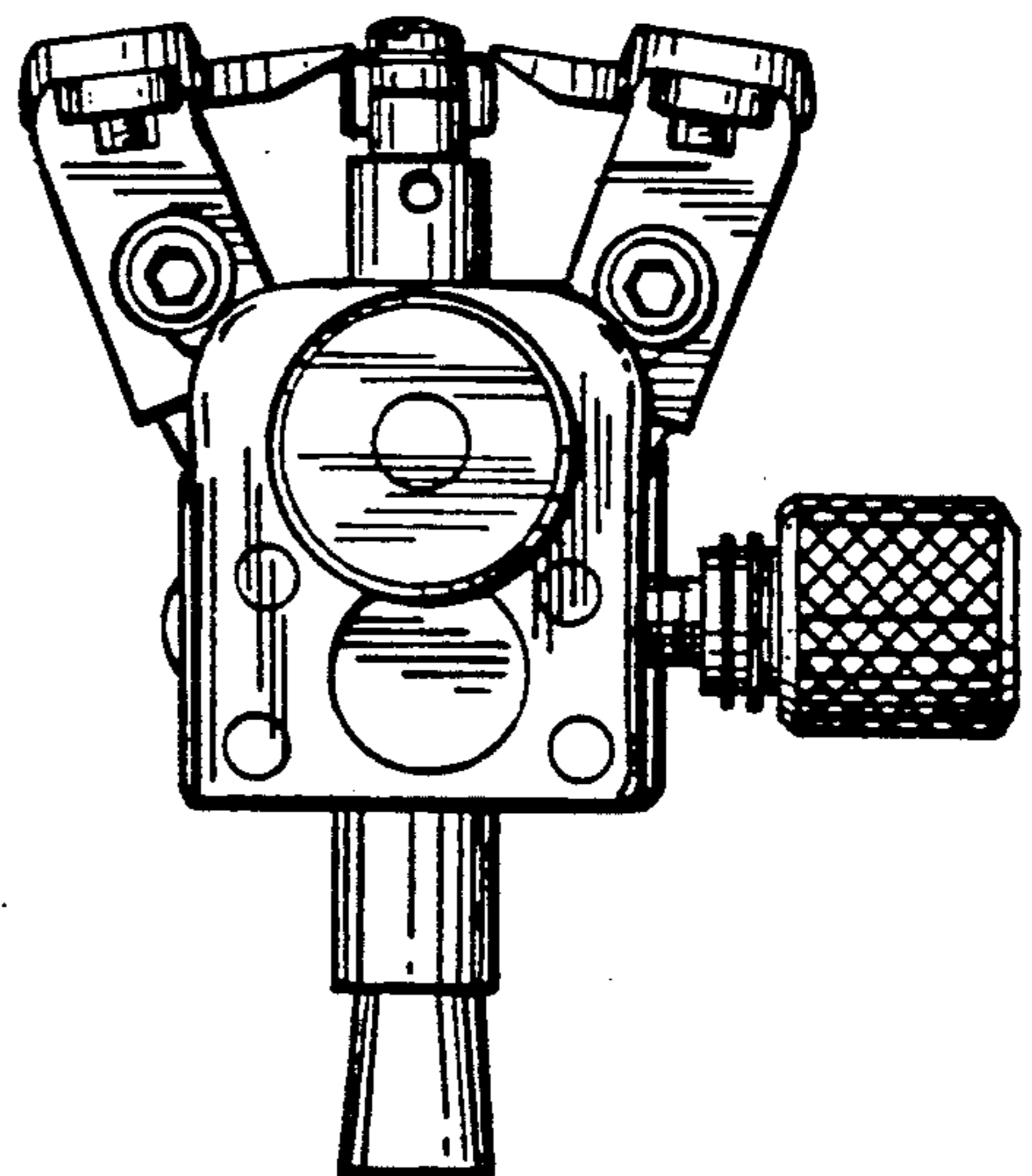


FIG. 8

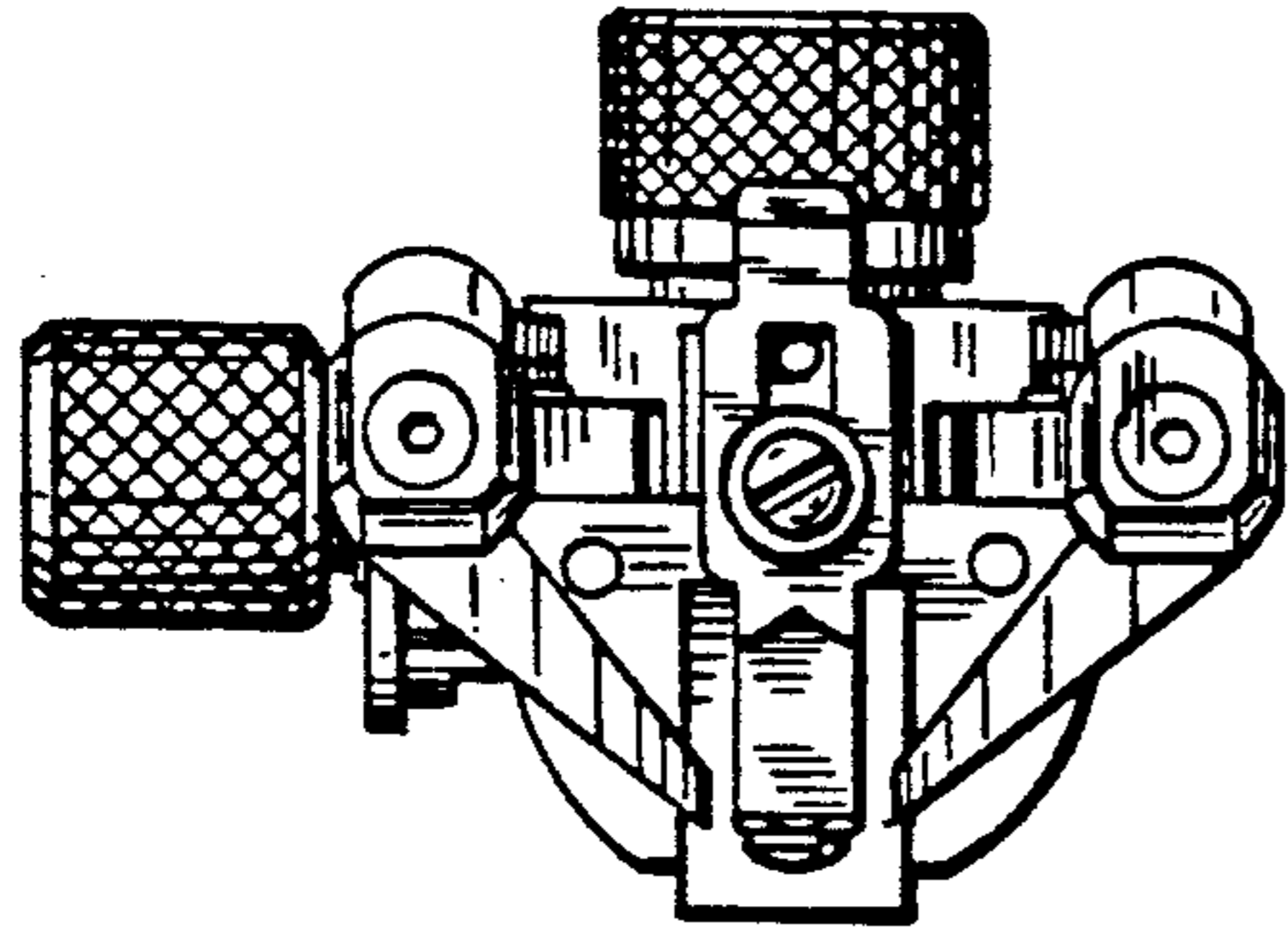


FIG. 9

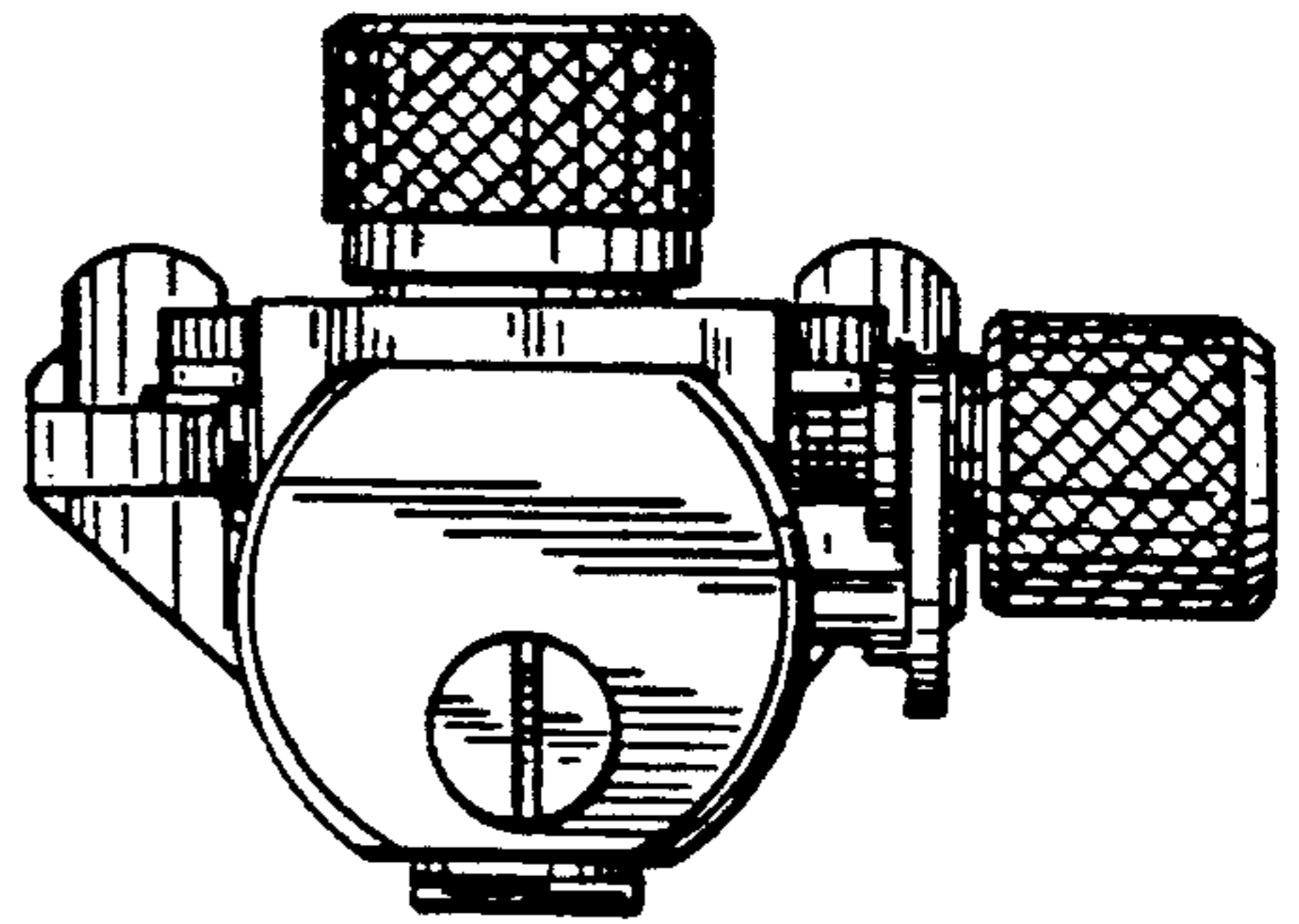


FIG. 10

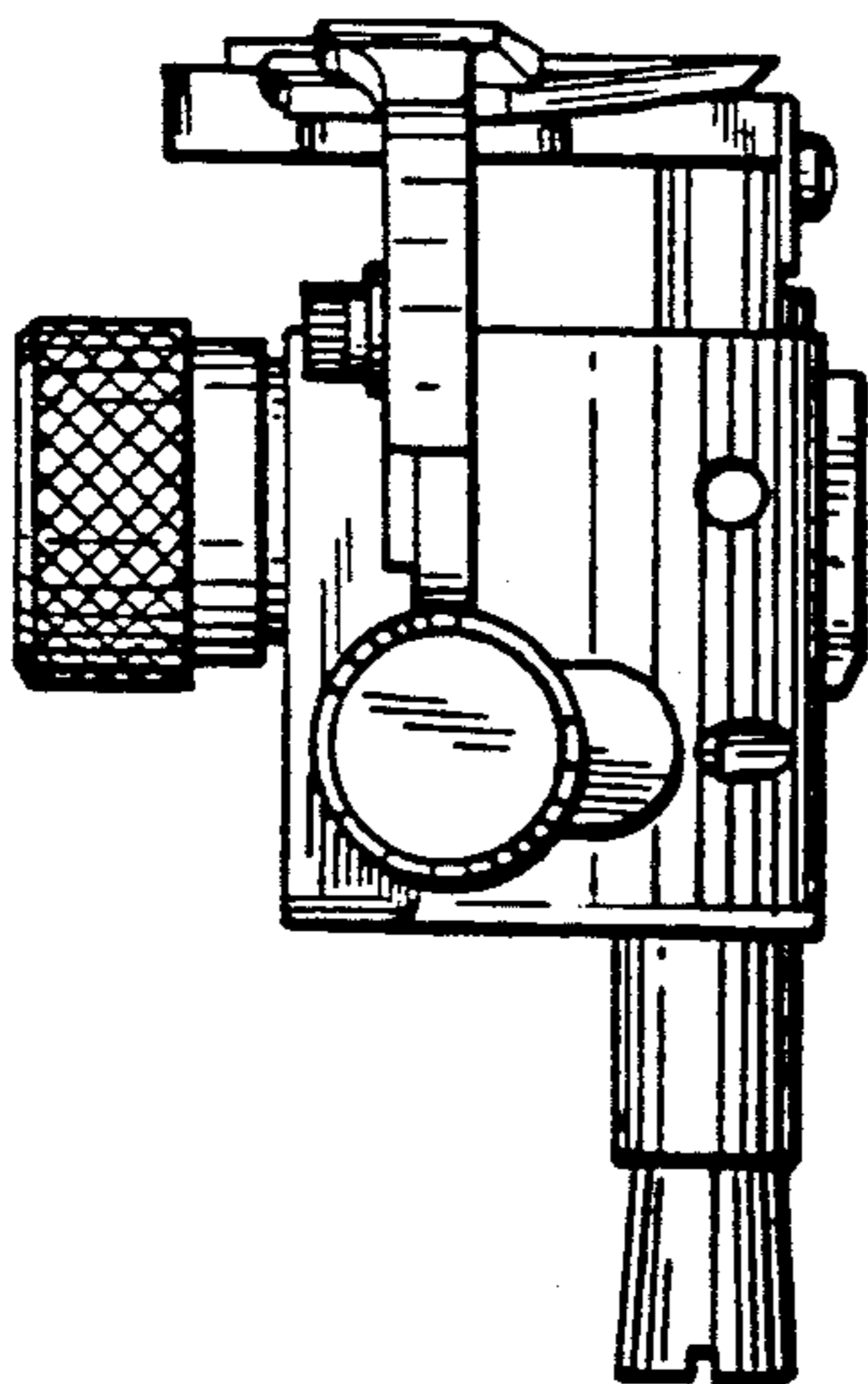


FIG. 11

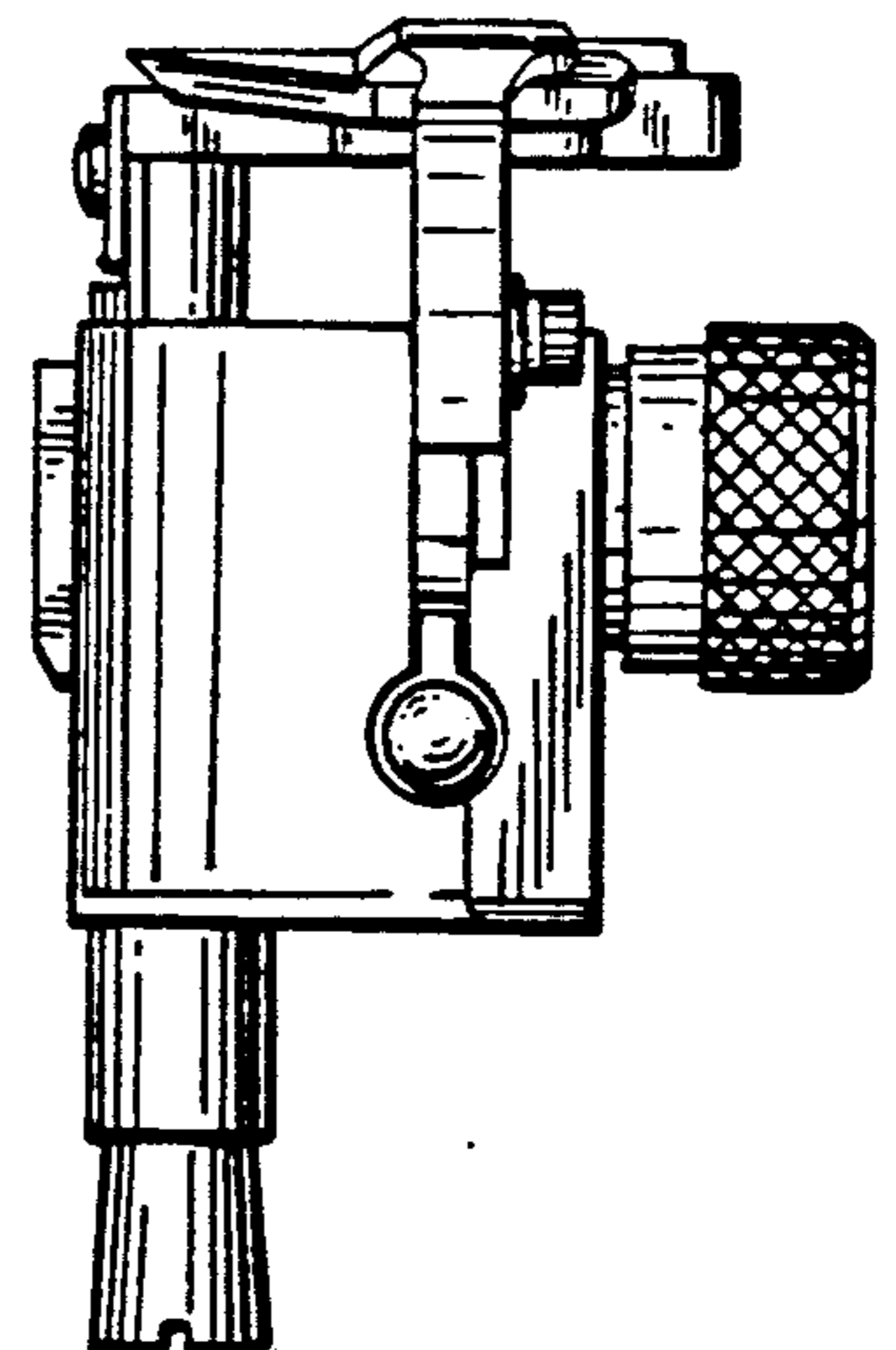


FIG. 12