



US00D328695S

United States Patent [19]

[11] Patent Number: Des. 328,695

Hoshino et al.

[45] Date of Patent: ** Aug. 18, 1992

- [54] SANDER OR THE LIKE
- [75] Inventors: Kiyoshi Hoshino, Clemson; James A. Keith, Jr., Pickens, both of S.C.
- [73] Assignee: Ryobi Motor Products Corporation, Pickens, S.C.
- [**] Term: 14 Years
- [21] Appl. No.: 478,975
- [22] Filed: Feb. 12, 1990
- [52] U.S. Cl. D8/69; D8/62
- [58] Field of Search D8/61, 69; 51/170 R, 51/170 TL, 170 T, 170 MT

- 4,182,000 1/1980 Fairbairn .
- 4,381,628 5/1983 Dicke .
- 4,967,516 11/1990 Hoshino et al. 51/170 R
- 5,074,081 12/1991 Beth et al. 51/170 R

Primary Examiner—Donald P. Walsh
Assistant Examiner—J. H. Musgrove
Attorney, Agent, or Firm—Brooks & Kushman

[57] CLAIM

The ornamental design of a sander or the like, as shown.

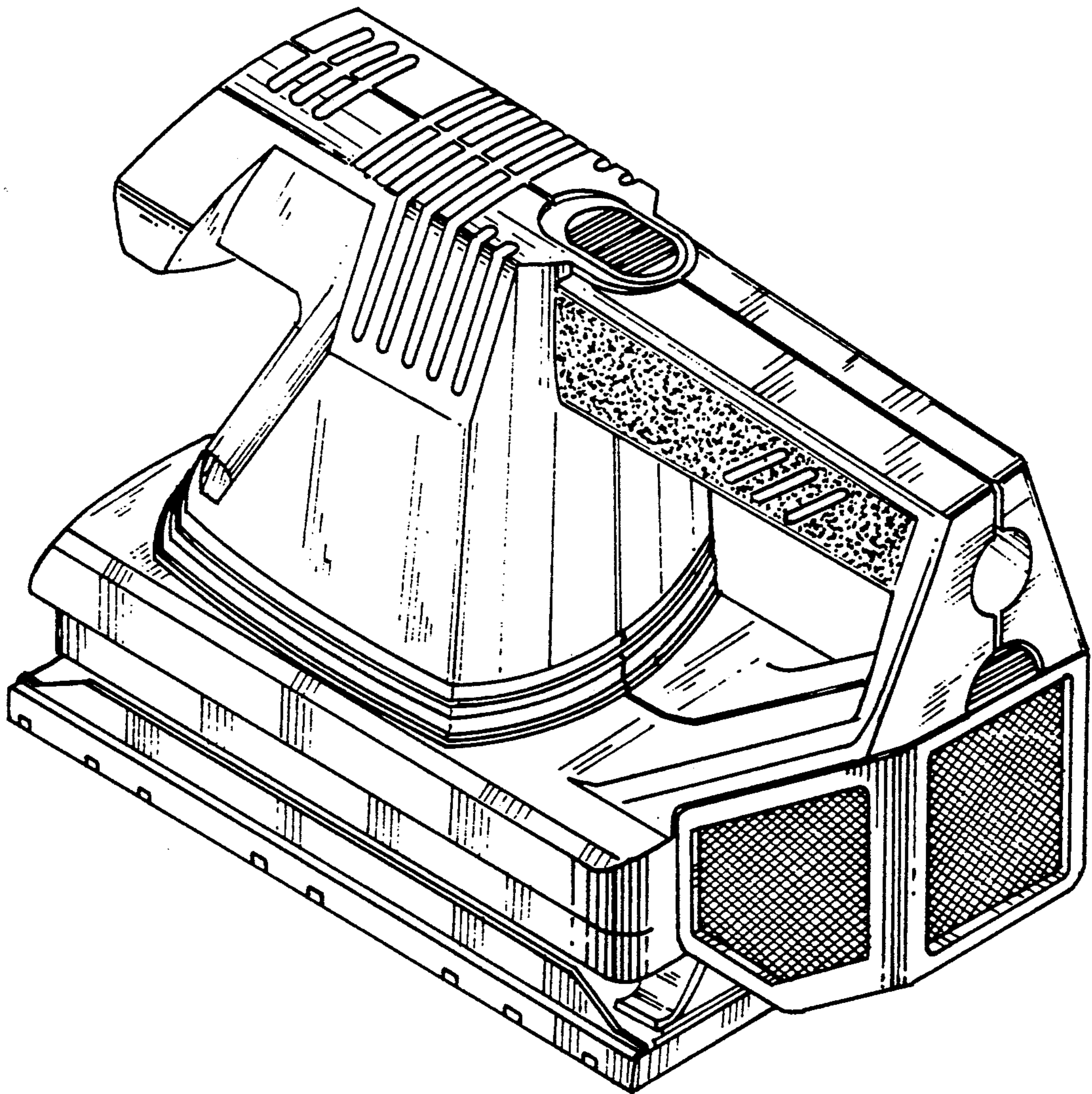
DESCRIPTION

FIG. 1 is a right side and front perspective view of a sander or the like showing our new design;
 FIG. 2 is a top, left side and rear perspective view thereof;
 FIG. 3 is a front elevational view thereof;
 FIG. 4 is a rear elevational view thereof;
 FIG. 5 is a left side elevational view thereof;
 FIG. 6 is a right side elevational view thereof;
 FIG. 7 is a top plan view thereof; and,
 FIG. 8 is a bottom plan view thereof.

[56] References Cited

U.S. PATENT DOCUMENTS

- D. 207,720 5/1967 Anton D8/62
- 2,395,537 2/1946 Crosby .
- 2,775,076 12/1956 Roods .
- 3,083,508 4/1963 Fegley et al. .
- 3,226,885 1/1966 Cutrone .



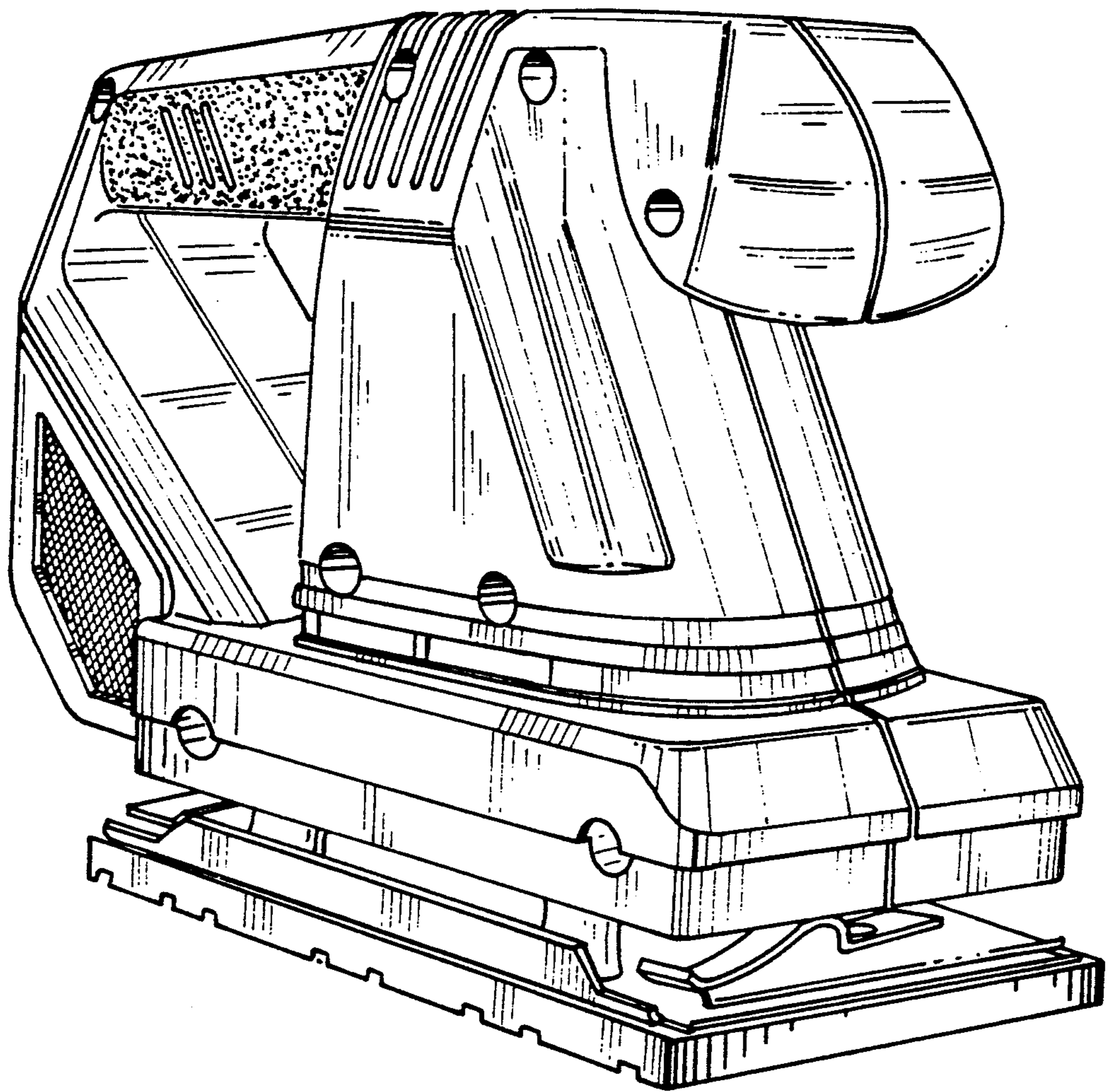


FIG. 1

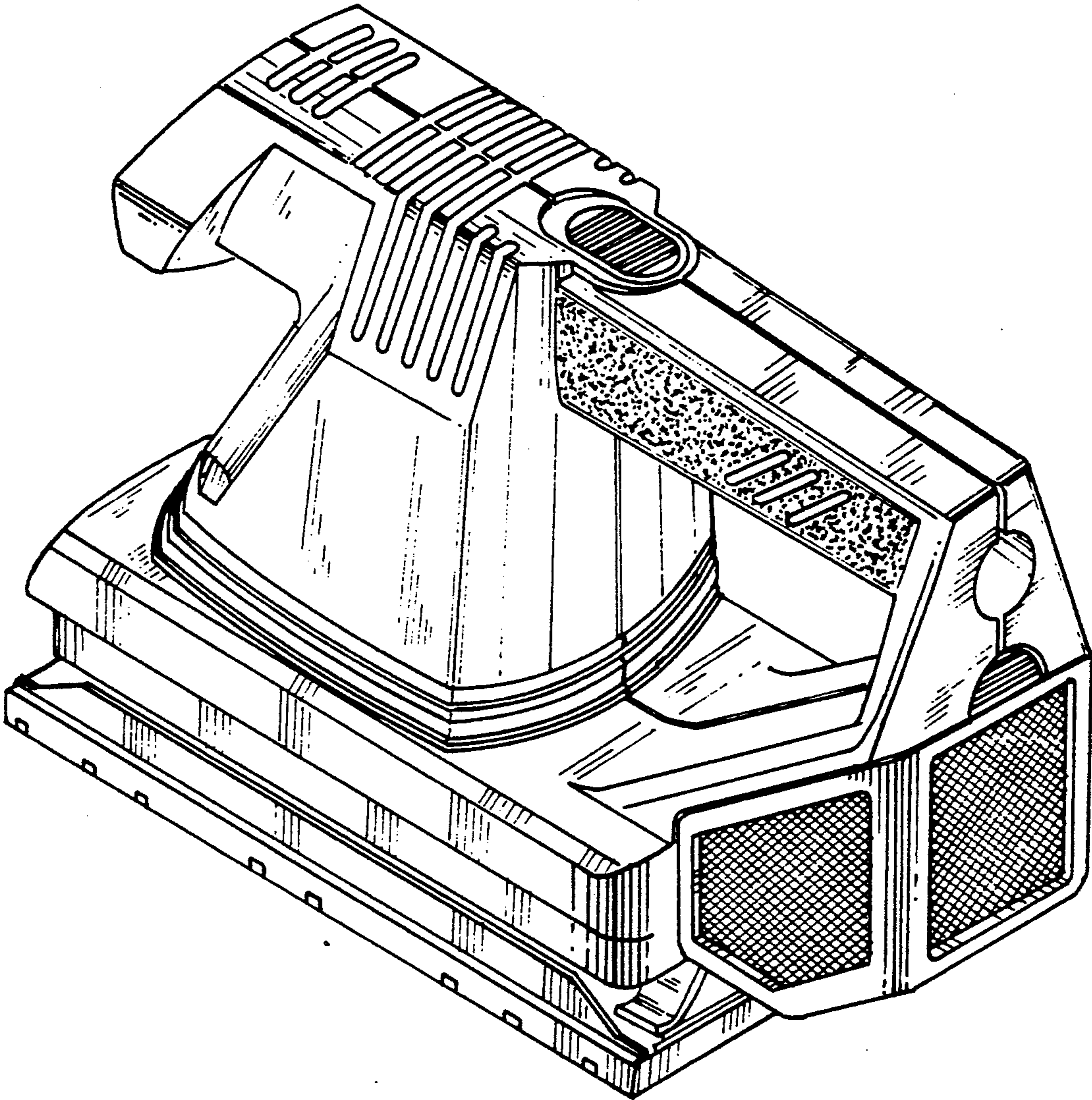


FIG. 2

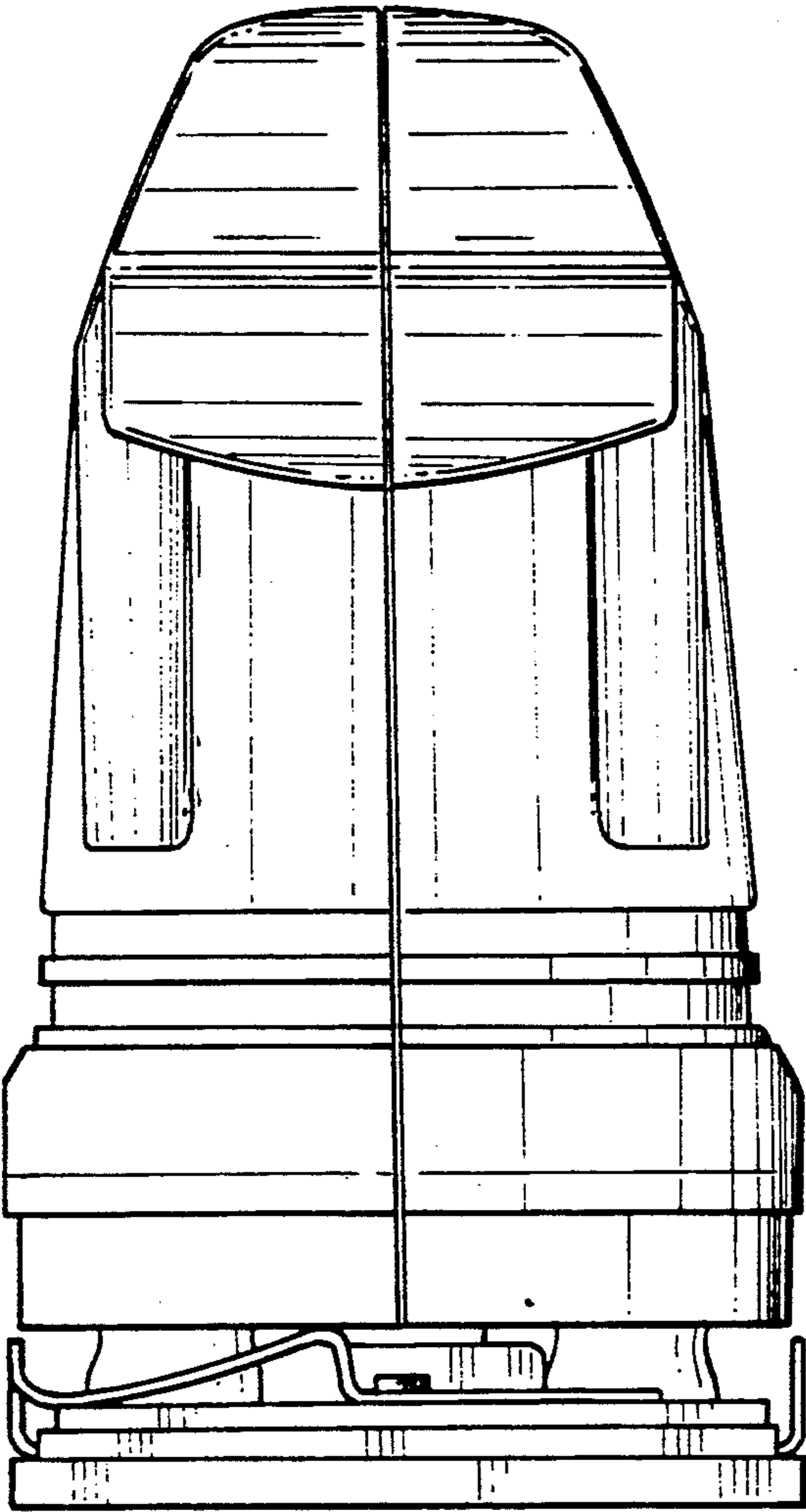


FIG. 3

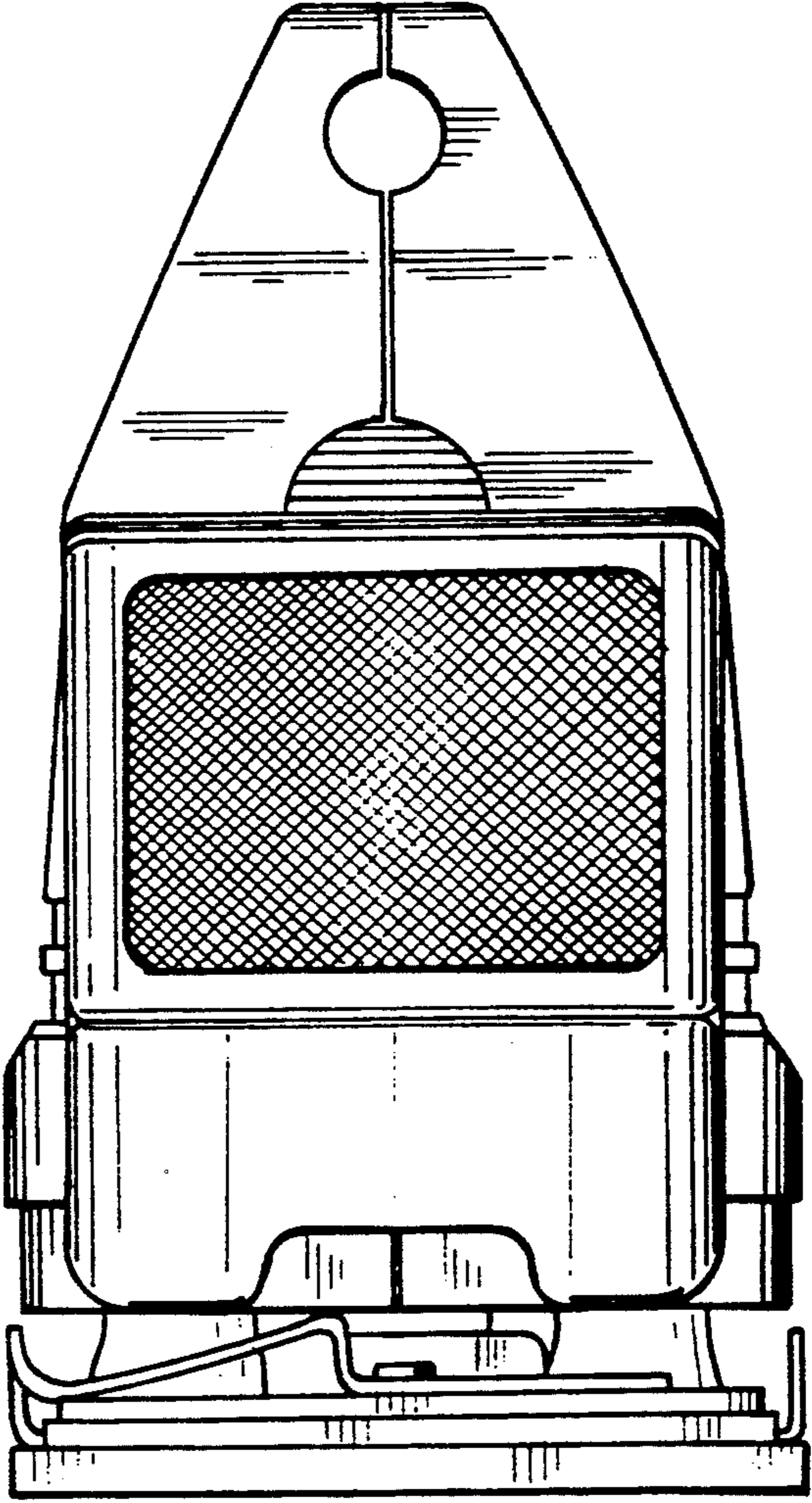


FIG. 4

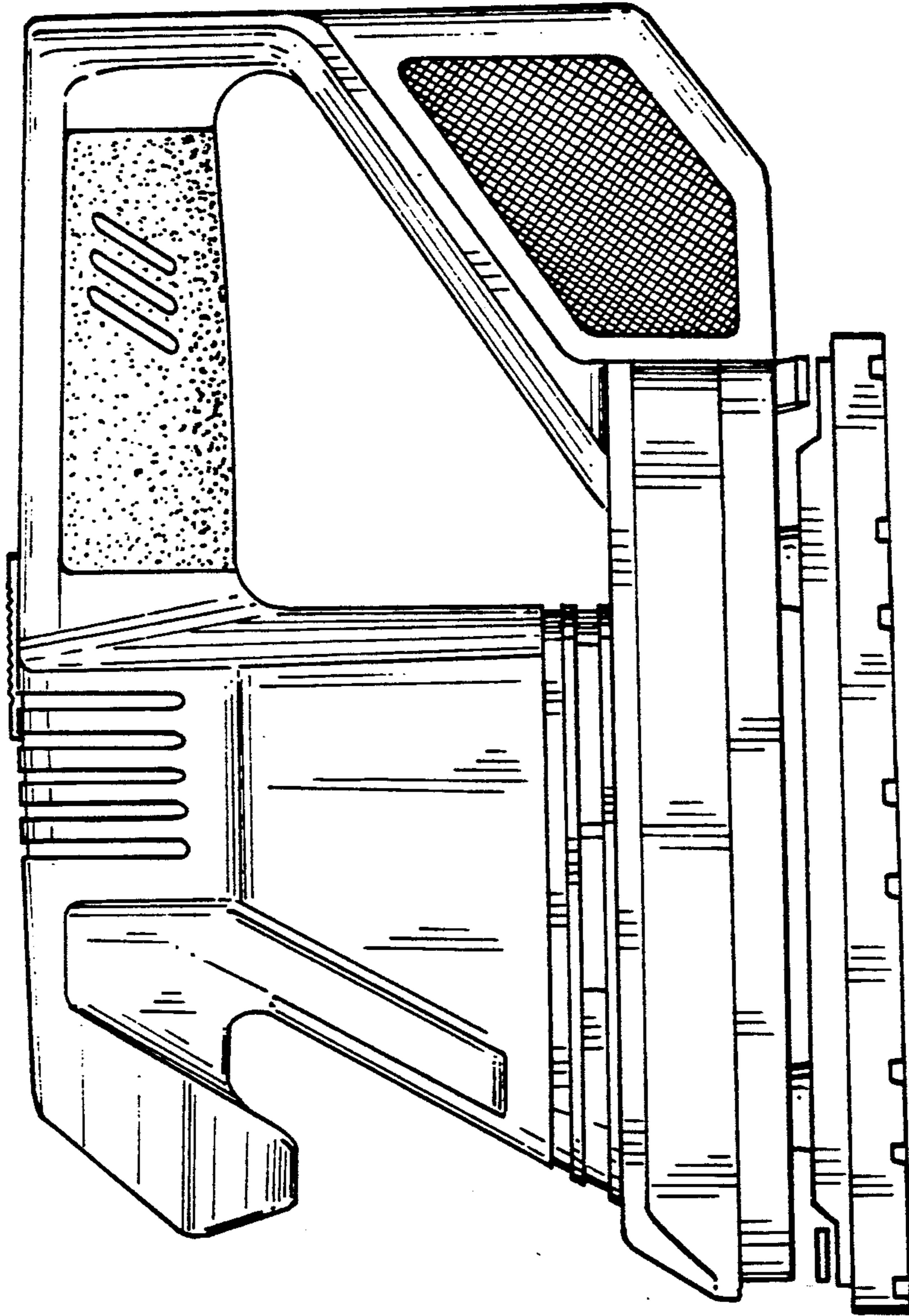


FIG. 5

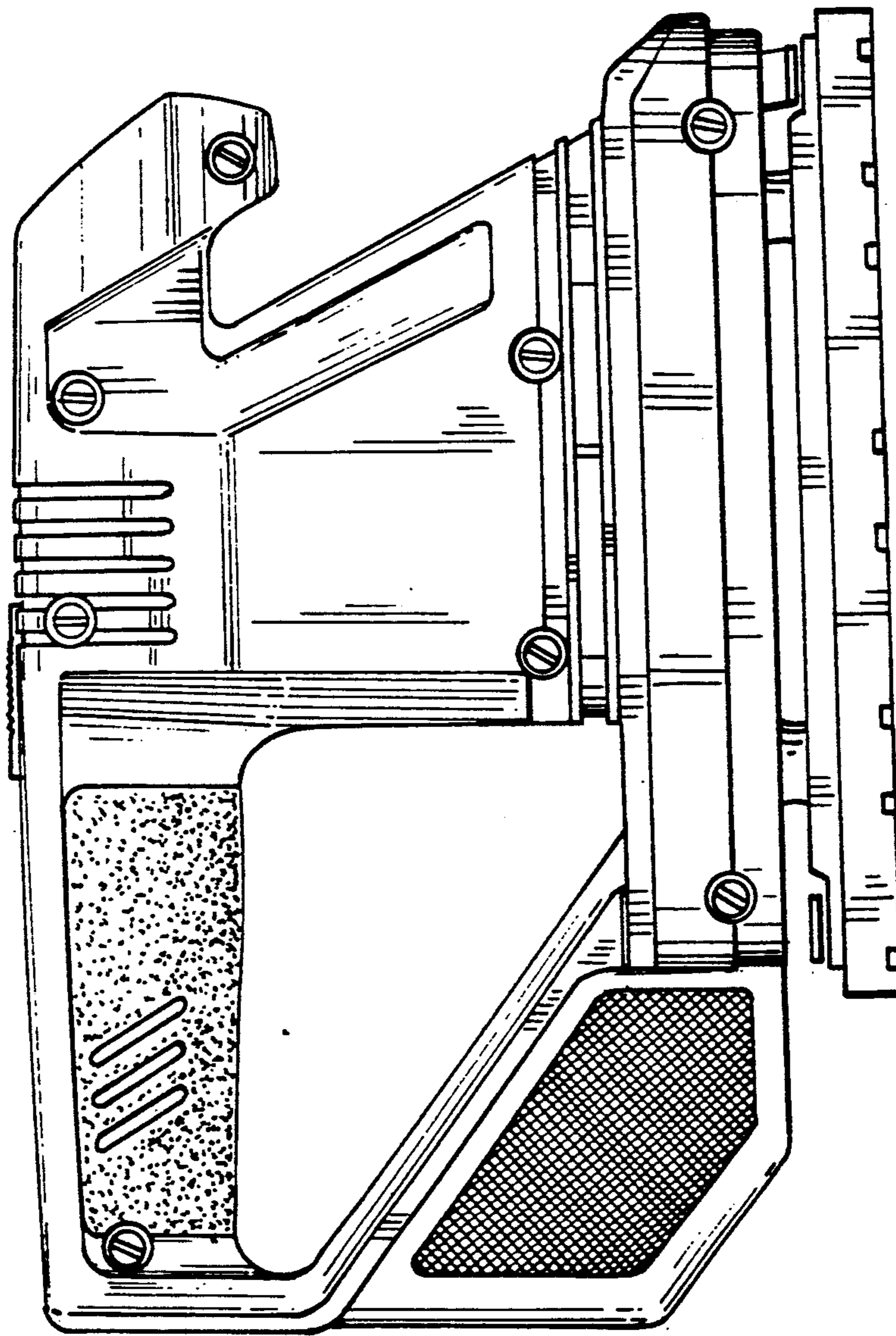


FIG. 6

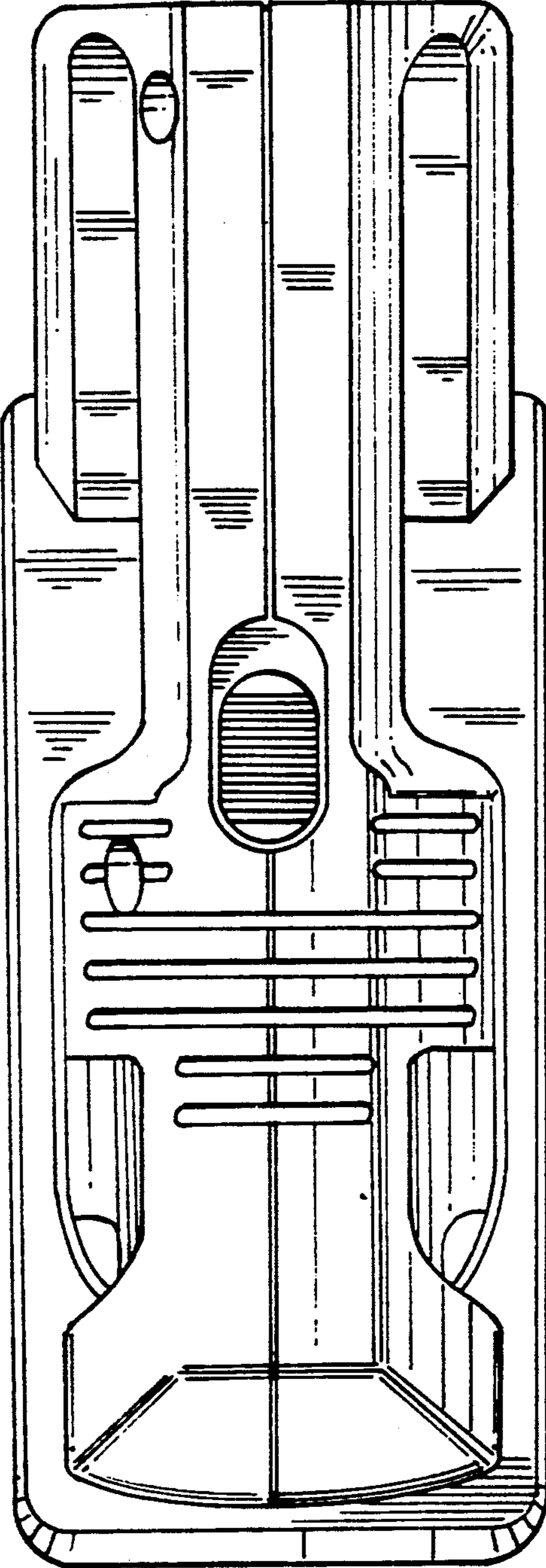


FIG. 7

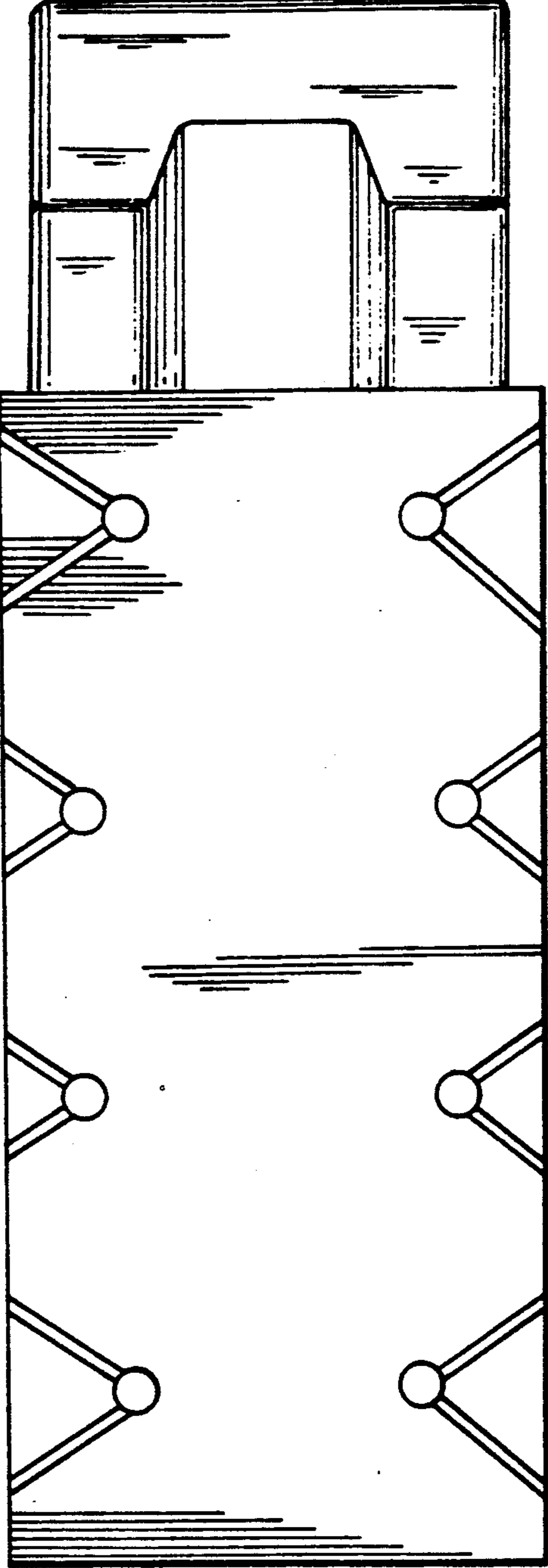


FIG. 8