



US00D328692S

United States Patent [19]

Holcomb

[11] Patent Number: **Des. 328,692**

[45] Date of Patent: **** Aug. 18, 1992**

[54] **WATER-POWERED PEELER**

[75] Inventor: **David A. Holcomb, Seattle, Wash.**

[73] Assignee: **Chef'N Corporation, Seattle, Wash.**

[**] Term: **14 Years**

[21] Appl. No.: **412,876**

[22] Filed: **Sep. 26, 1989**

[52] U.S. Cl. **D7/694; D7/693**

[58] Field of Search **D7/669, 693, 694, 381, D7/383; 15/29; 30/123, 123.3, 124; 99/584, 588, 593**

3,555,678	1/1971	Agulnick et al. .	
4,128,939	12/1978	Schaeffer	30/276 X
4,173,051	11/1979	Reid .	
4,211,002	7/1980	Kirk	30/276 X
4,509,221	4/1985	Simpson	15/29
4,550,656	11/1985	Kirk .	
4,667,408	5/1987	Kirk	30/123.3
4,972,769	11/1990	Cailliot	99/588 X

Primary Examiner—Nelson C. Holtje
Assistant Examiner—Caron D. Veynar
Attorney, Agent, or Firm—Seed and Berry

[56] **References Cited**

U.S. PATENT DOCUMENTS

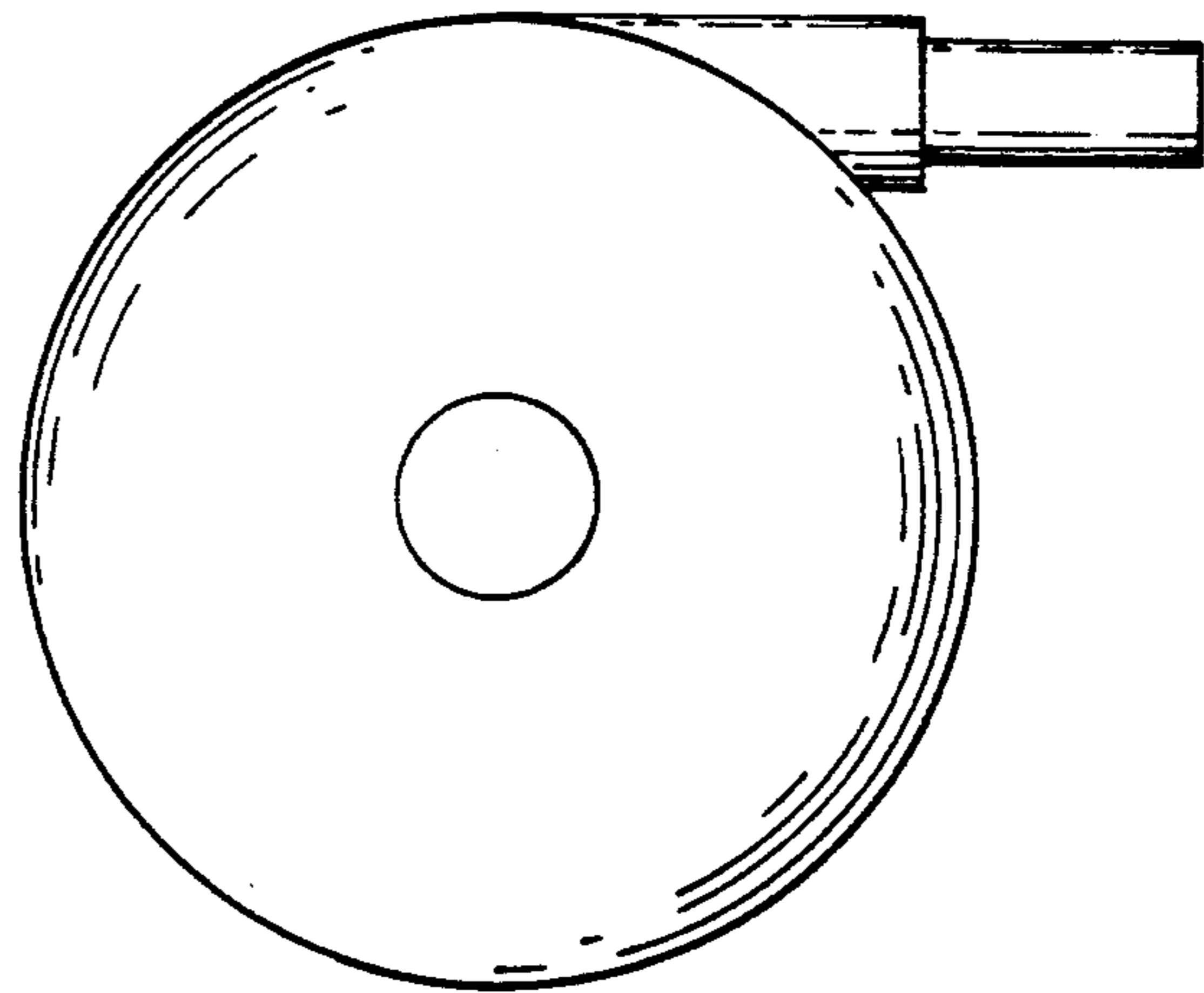
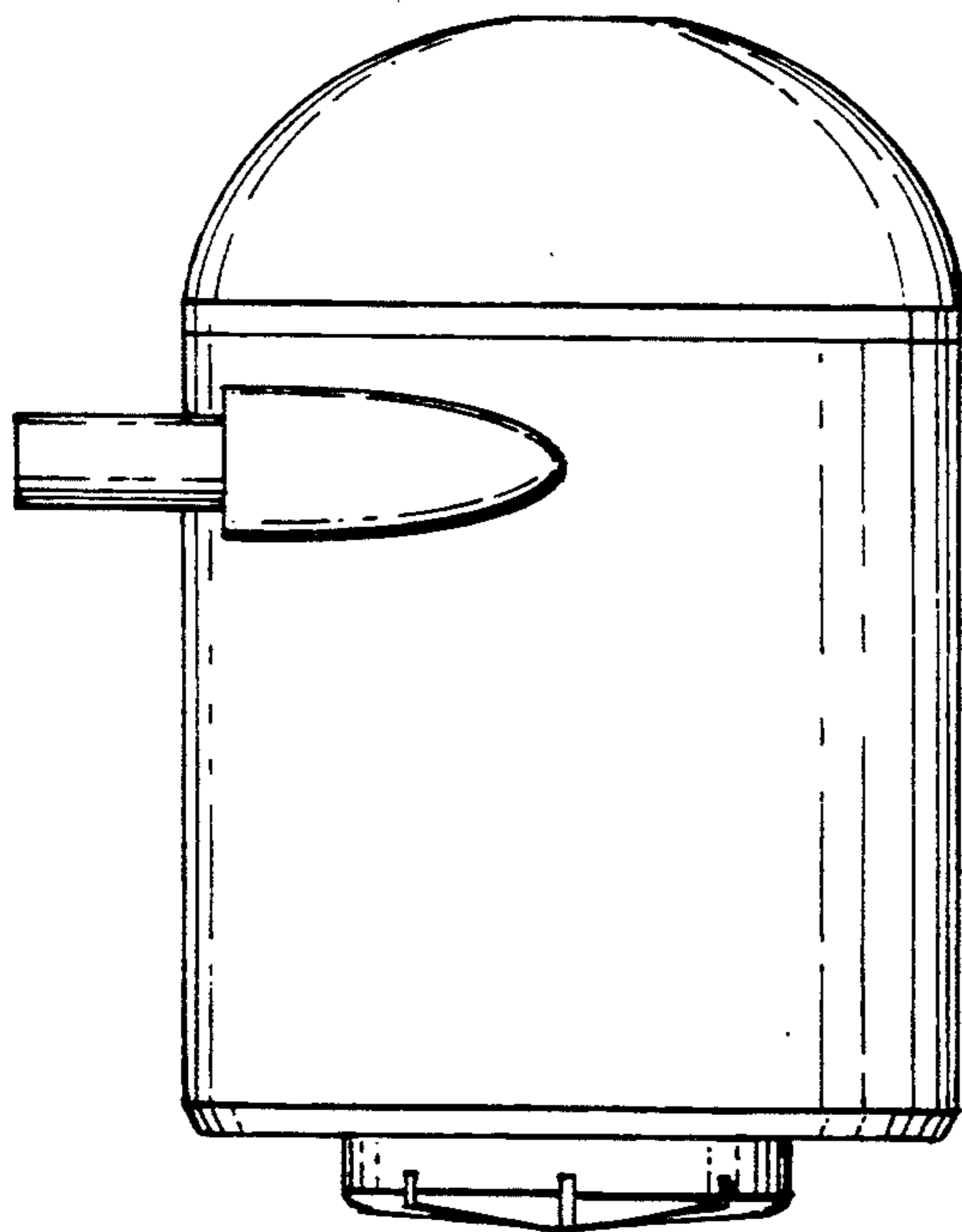
1,423,511	7/1922	Baker	15/29 X
1,444,975	2/1923	Maine .	
2,656,600	10/1953	Barbee	30/123.3
2,705,980	4/1955	Papworth .	
2,958,355	11/1960	Young	30/123.5
3,026,612	3/1962	Szczepanski	30/123
3,156,276	11/1964	Petrella et al. .	
3,292,679	12/1966	Roth	30/123.7

[57] **CLAIM**

The ornamental design for a water-powered peeler, as shown and described.

DESCRIPTION

FIG. 1 is a left side elevational view of a water-powered peeler showing my new design; FIG. 2 is a front elevational view; FIG. 3 is a right side elevational view; FIG. 4 is a rear elevational view; FIG. 5 is a top plan view; and, FIG. 6 is a bottom plan view.



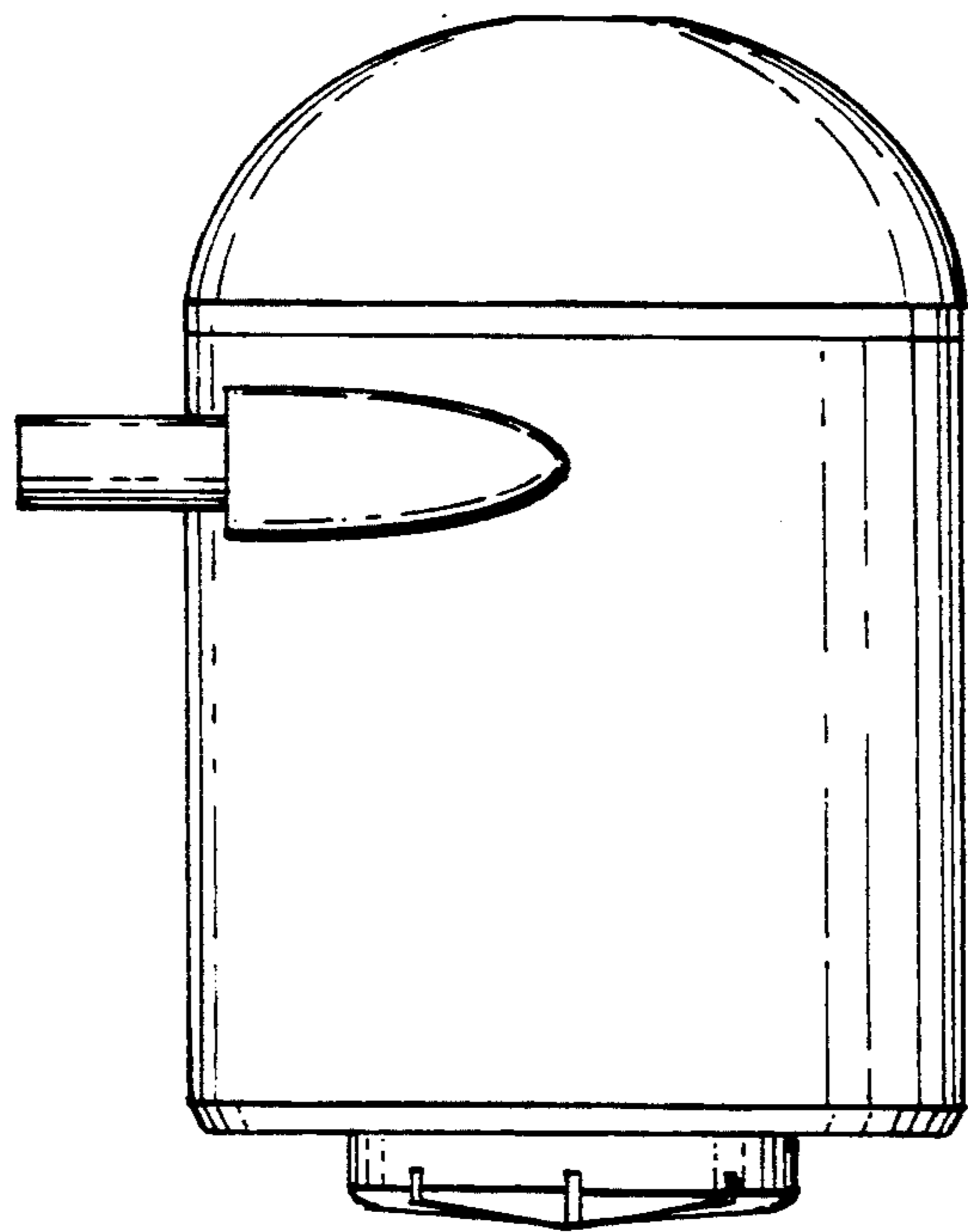


FIG. 1

FIG. 2

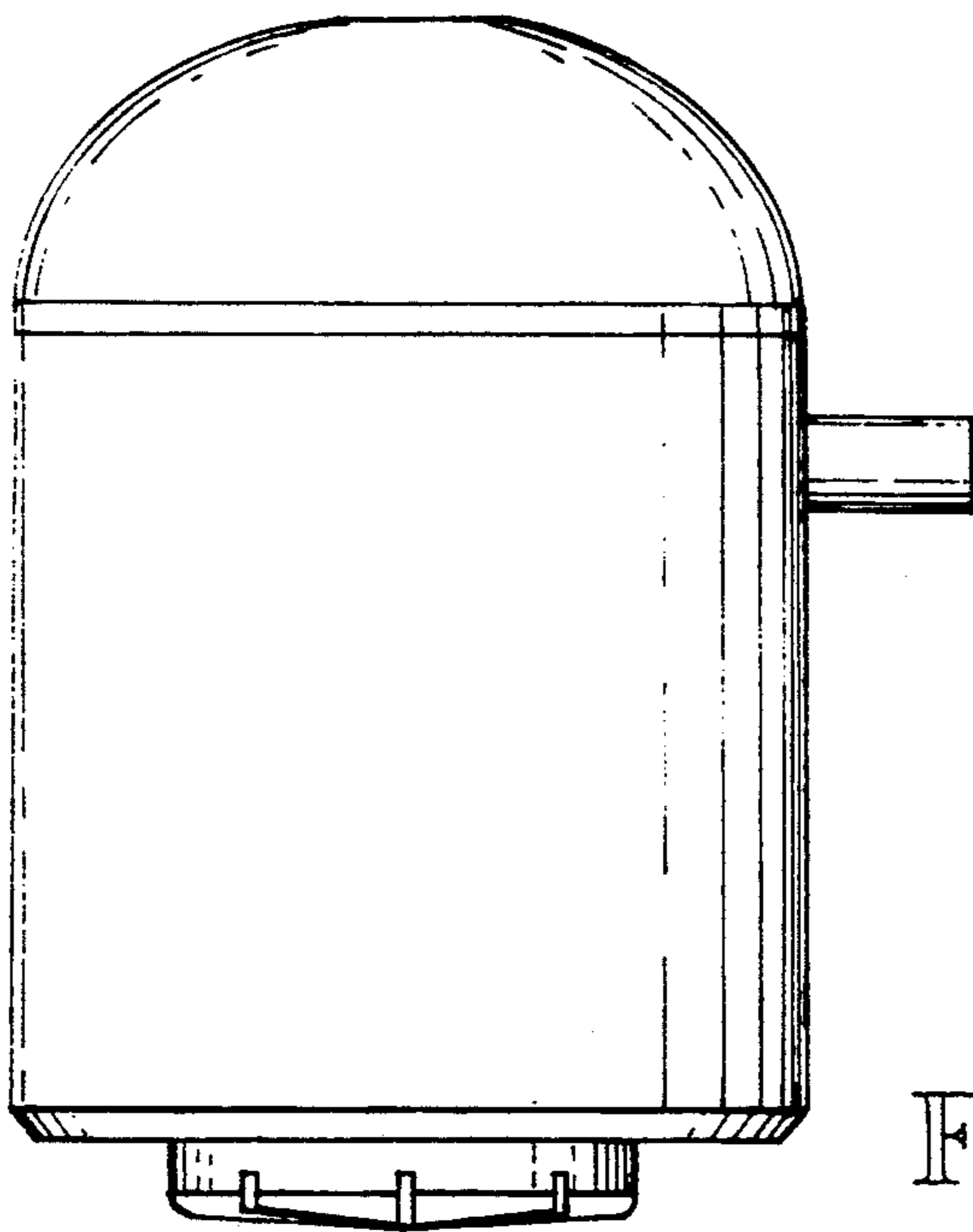
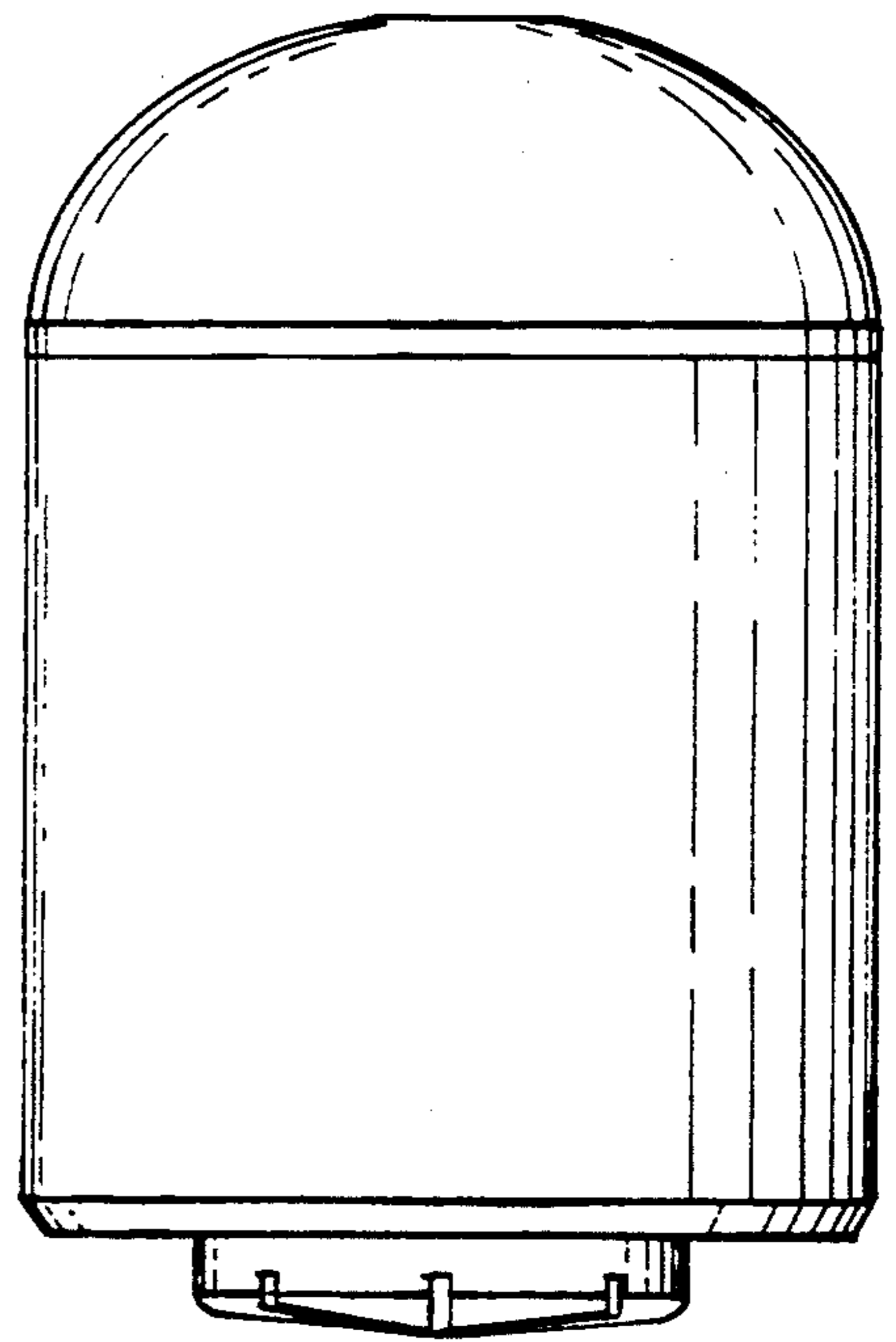


FIG. 3

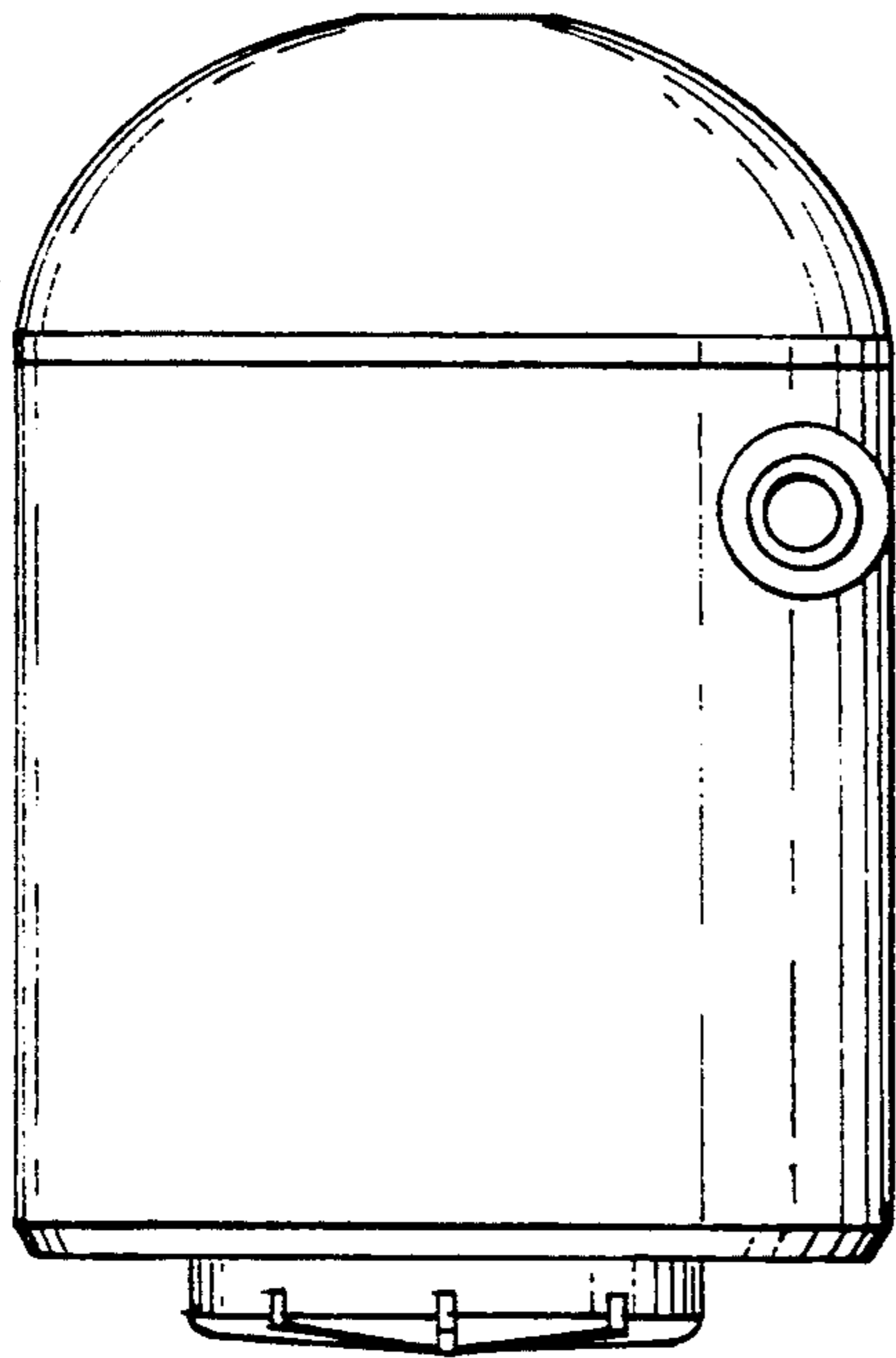


FIG. 4

FIG. 5

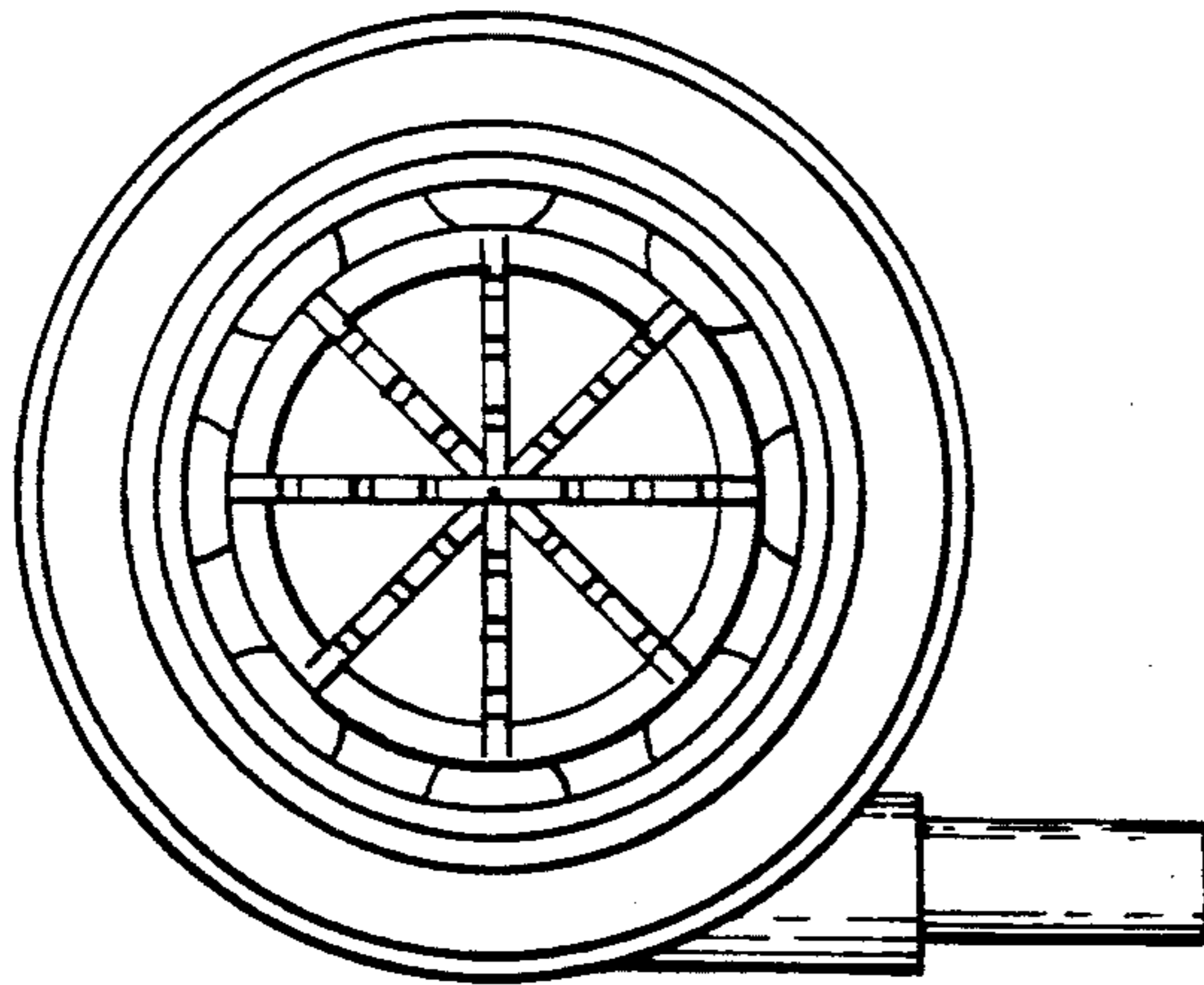
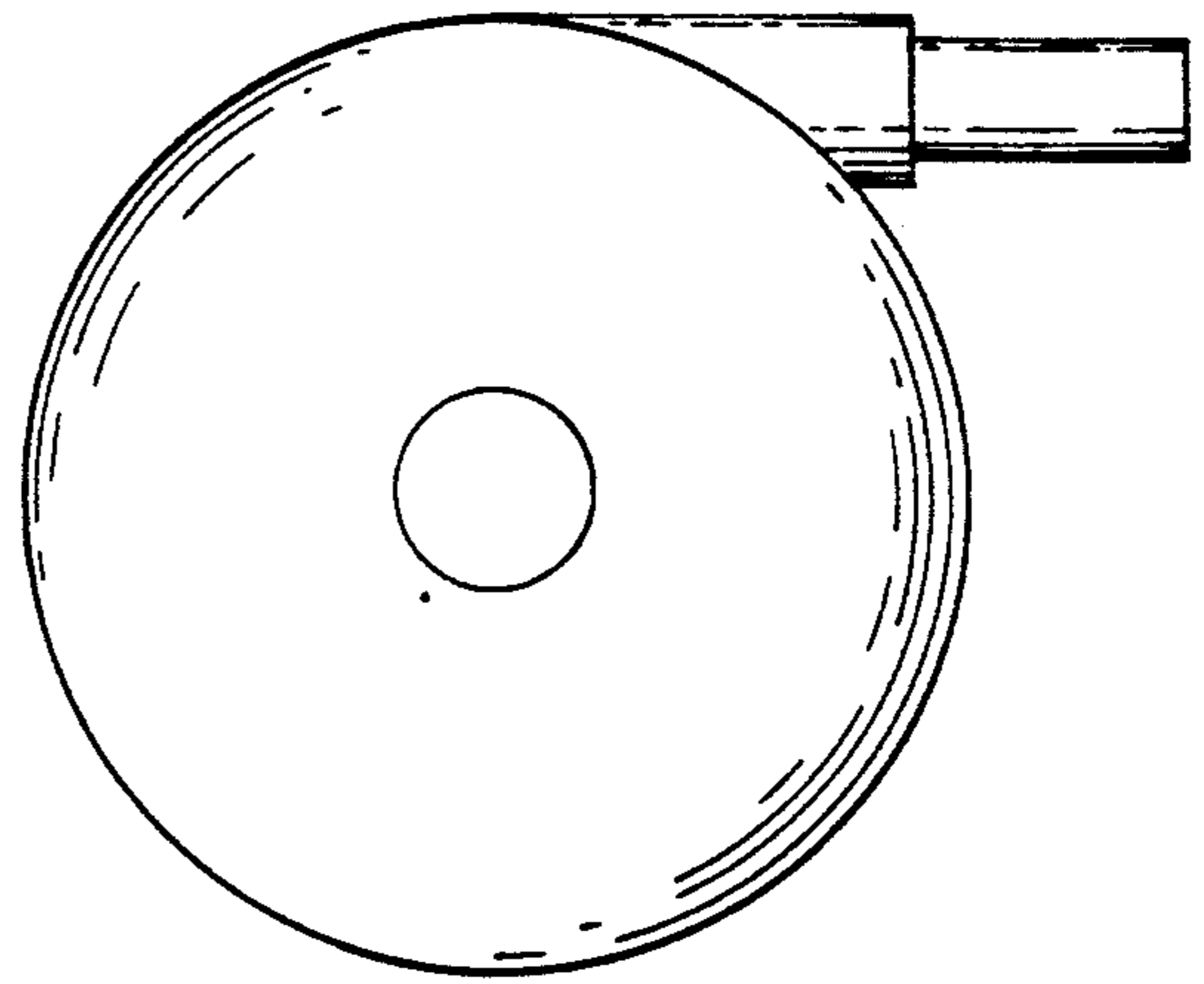


FIG. 6