



US00D328689S

United States Patent [19]

[11] Patent Number: **Des. 328,689**

Riskowski

[45] Date of Patent: **** Aug. 18, 1992**

[54] **FOOD COOLER**

4,024,731 5/1977 Branscum D7/605
4,581,902 4/1986 Starck .
4,724,681 2/1988 Bartholomew .

[76] Inventor: **Steven Riskowski, 5612 Weir St.,
Omaha, Nebr. 68117**

Primary Examiner—Bernard Ansher
Assistant Examiner—Sandra Morris
Attorney, Agent, or Firm—Terry M. Gernstein

[**] Term: **14 Years**

[57] **CLAIM**

[21] Appl. No.: **515,264**

The ornamental design for a food cooler, as shown and described.

[22] Filed: **Apr. 27, 1990**

[52] U.S. Cl. **D7/605; D15/83**

[58] Field of Search **D7/602, 605, 607;
D15/79, 81, 83; 62/340-342, 371, 372**

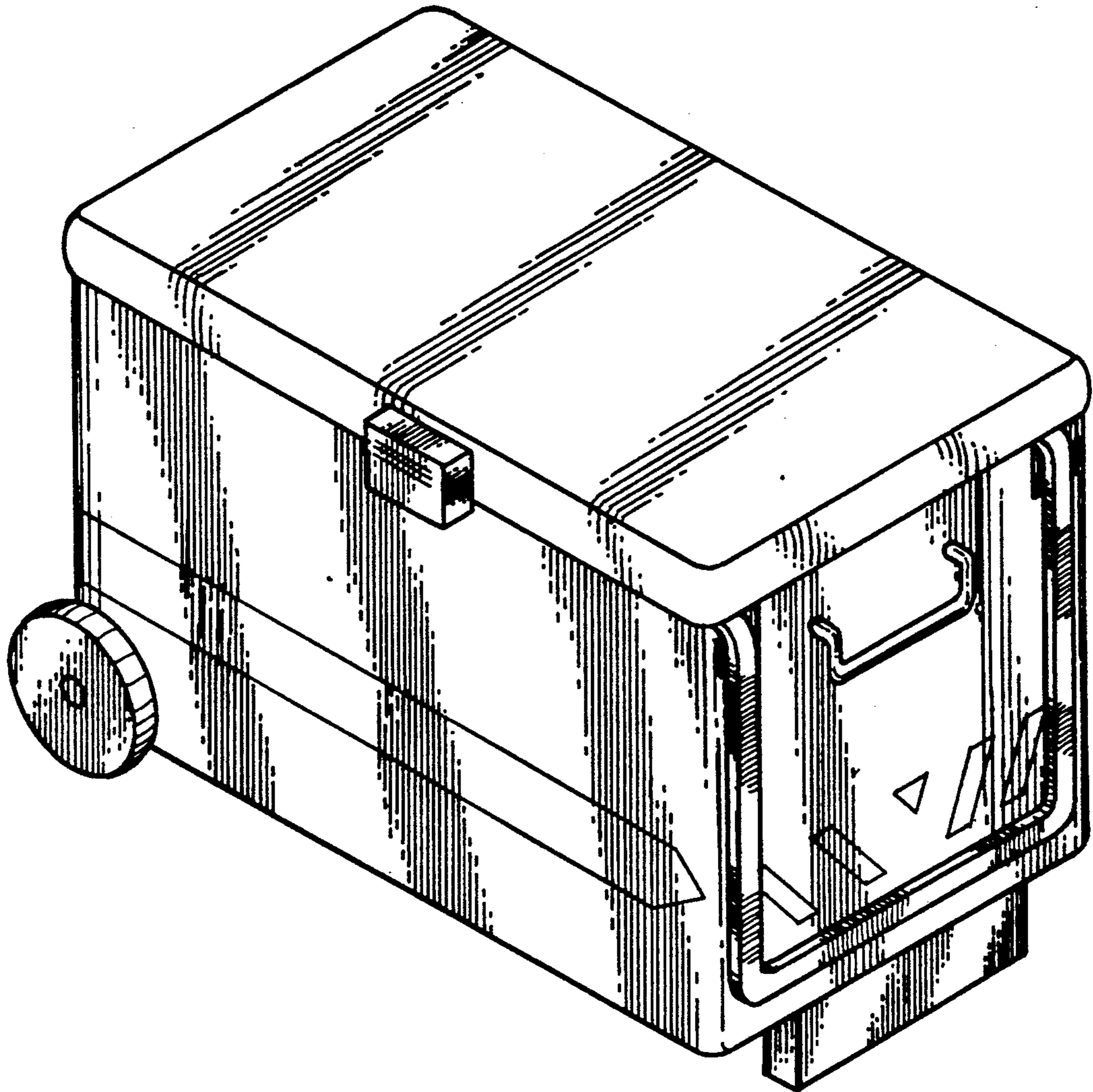
DESCRIPTION

[56] **References Cited**

U.S. PATENT DOCUMENTS

- D. 163,079 4/1951 Whitmore D15/83
- D. 259,481 6/1981 Kappos D15/79
- D. 283,480 4/1986 Bailey D7/605
- D. 299,391 1/1989 Meeham D15/83
- D. 311,476 10/1990 Kumakura D7/605
- 3,591,194 7/1971 Vega .

FIG. 1 is a perspective view of a food cooler, showing my new design;
FIG. 2 is a left side elevational view thereof, the handle shown in the raised position;
FIG. 3 is a right side elevational view thereof;
FIG. 4 is a front elevational view thereof;
FIG. 5 is a rear elevational view thereof;
FIG. 6 is a top plan view thereof; and,
FIG. 7 is a bottom plan view thereof.



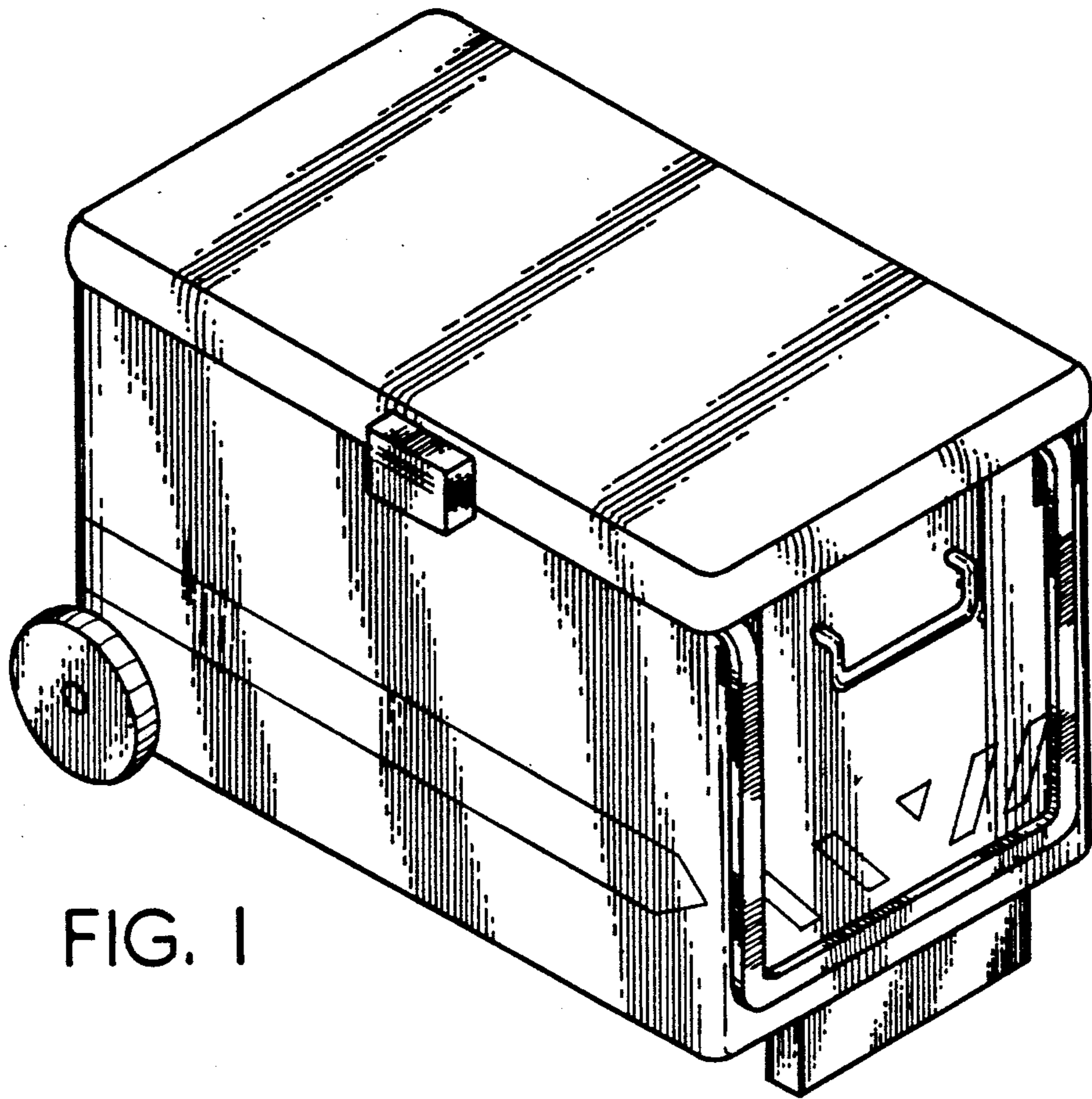


FIG. 1

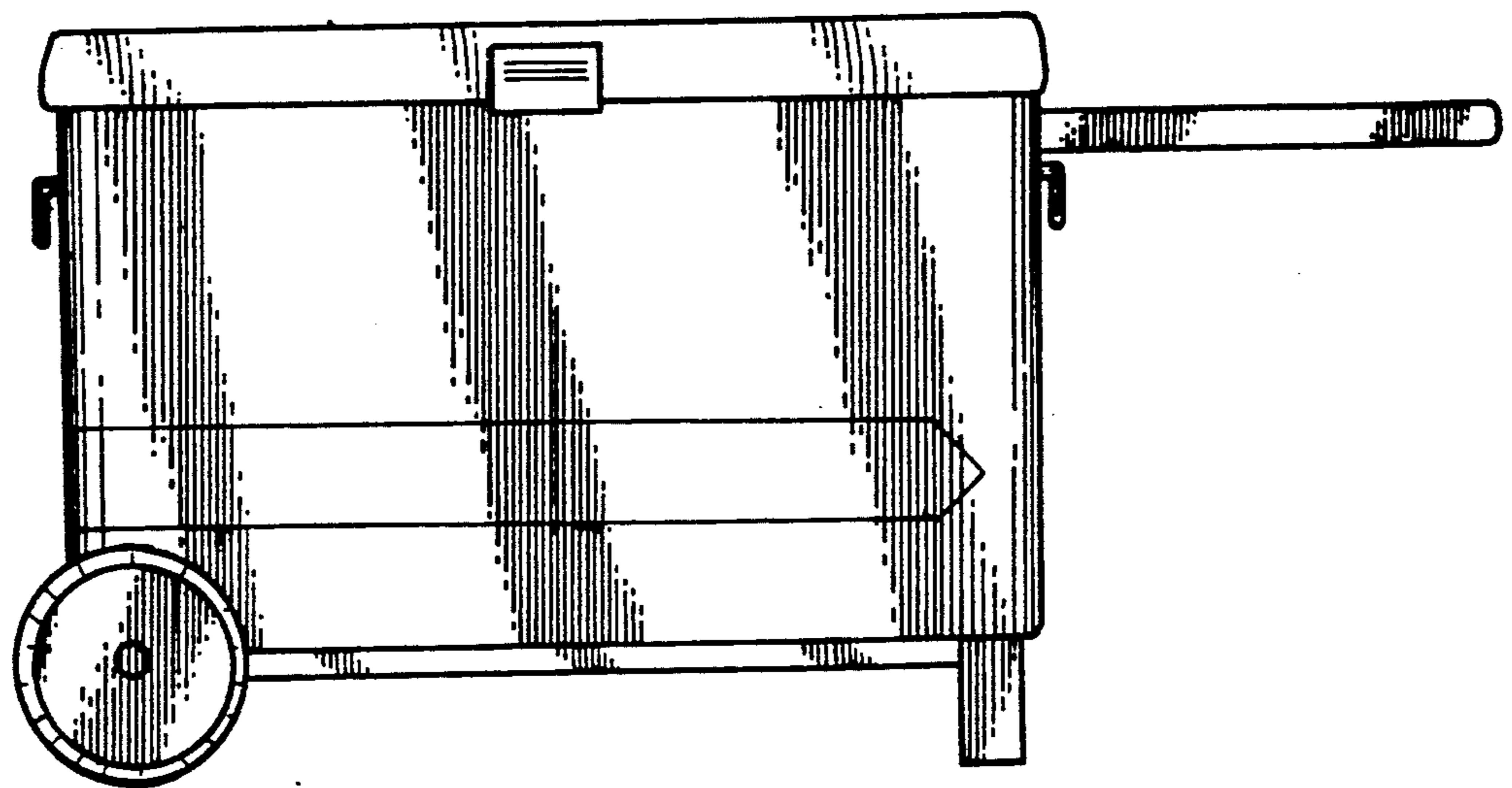


FIG. 2

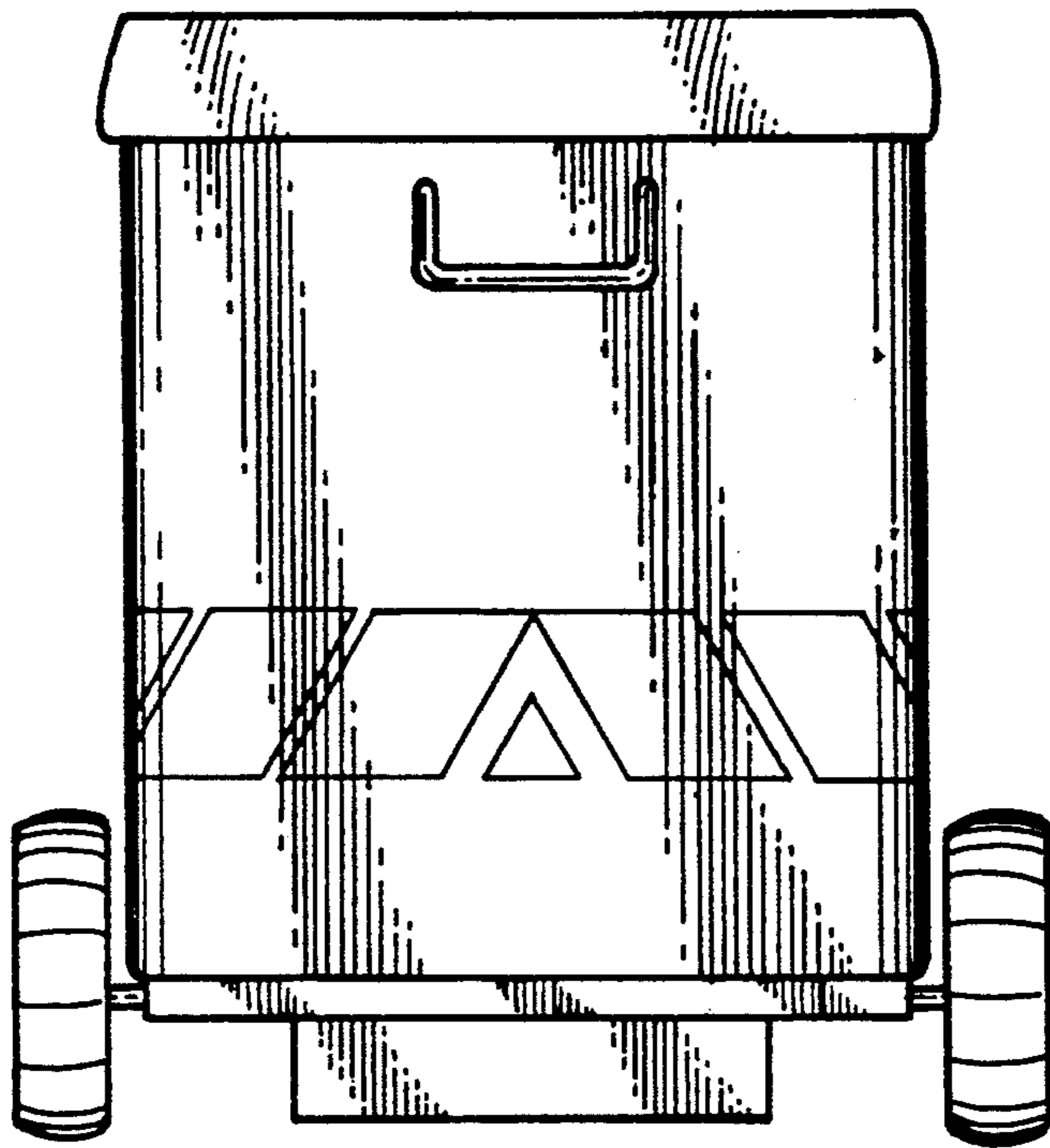


FIG. 5

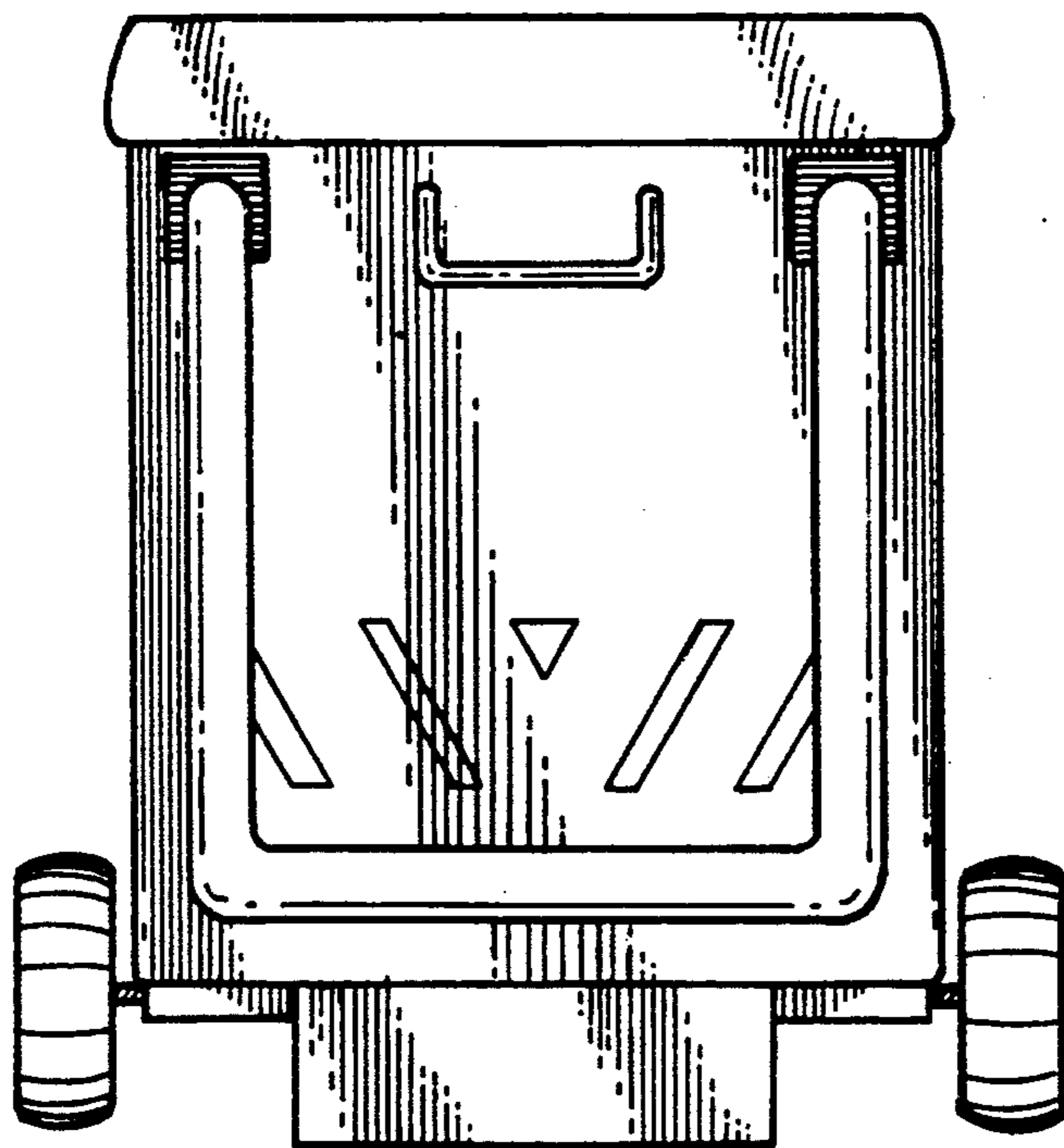


FIG. 4

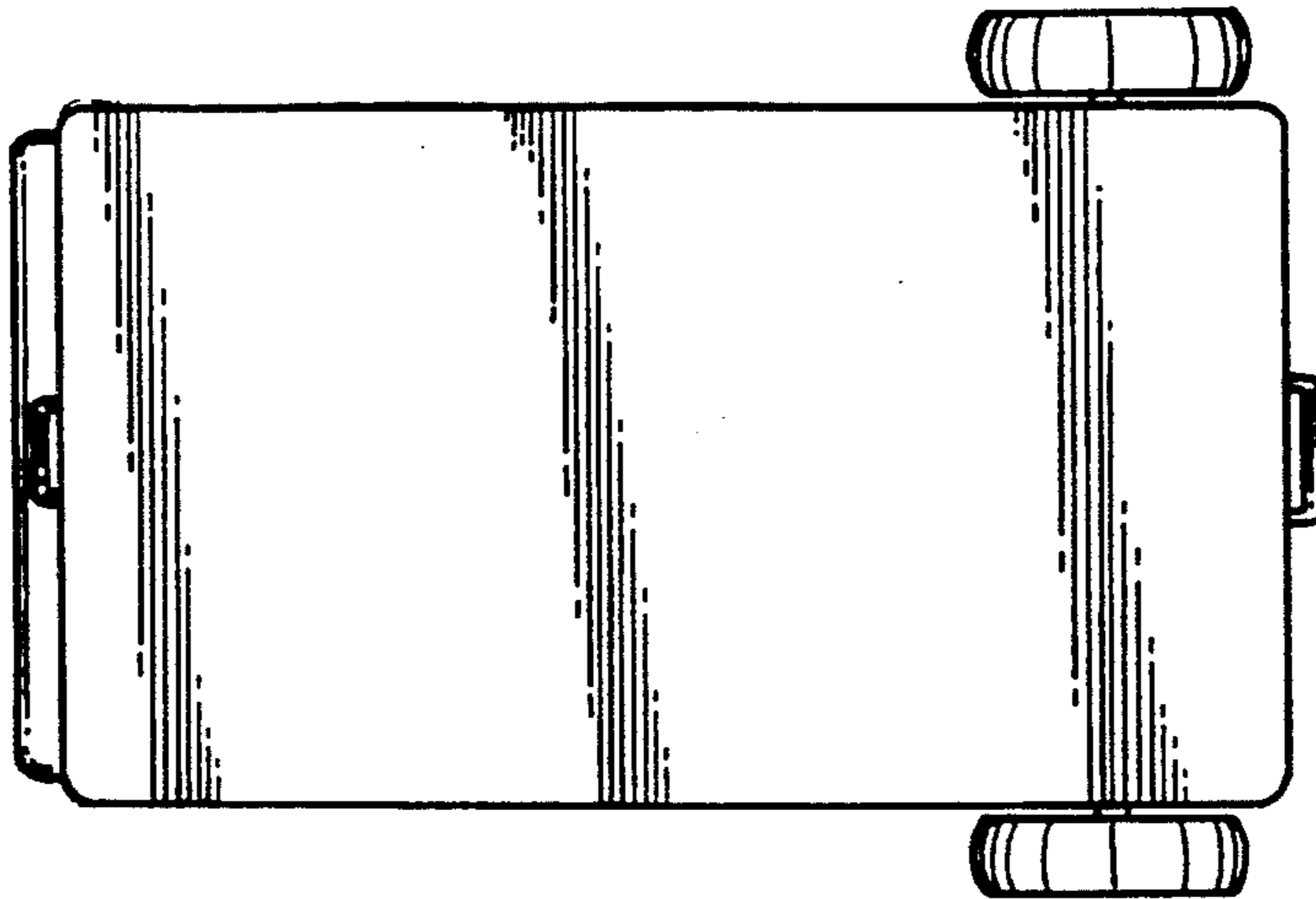


FIG. 6

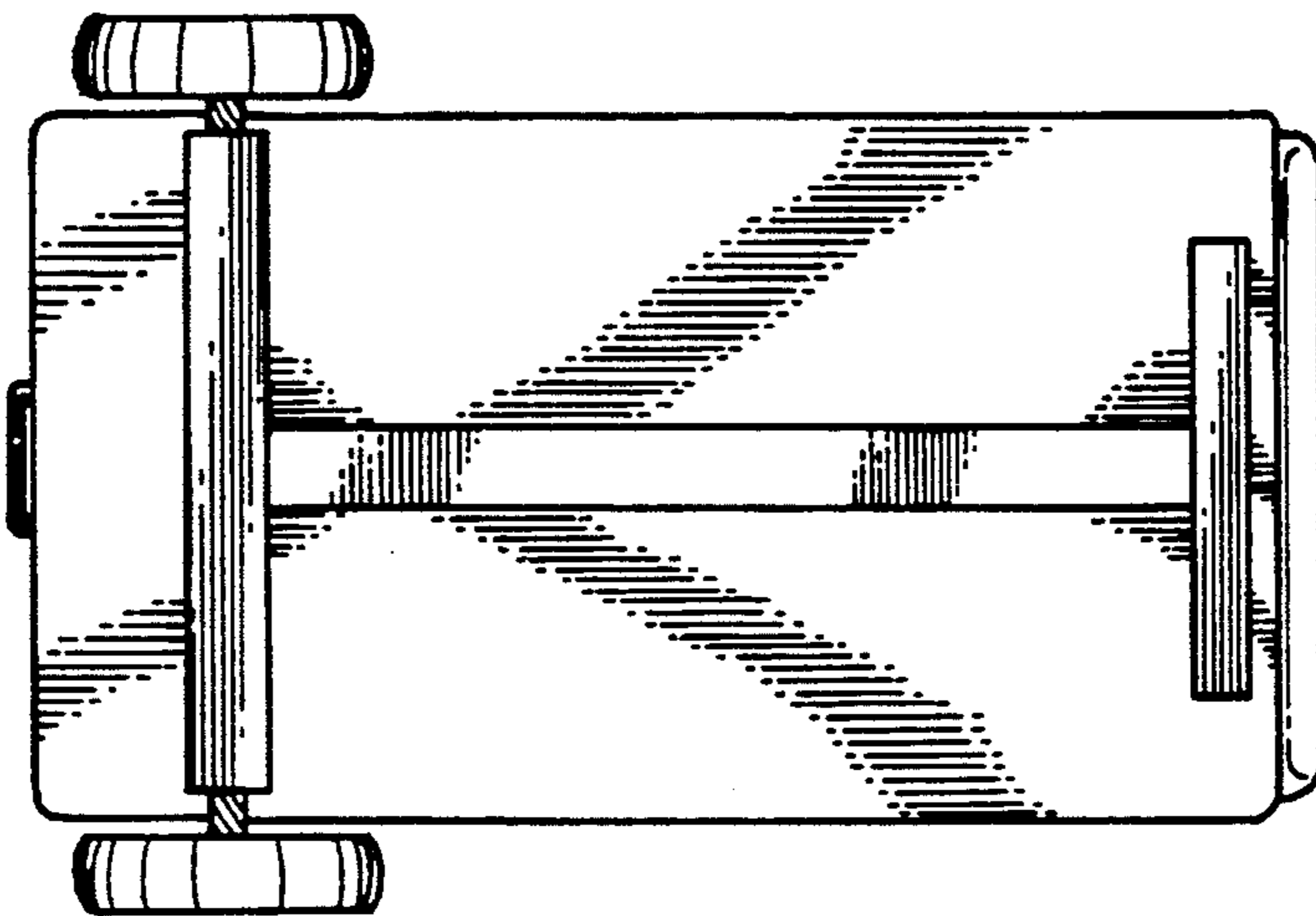


FIG. 7

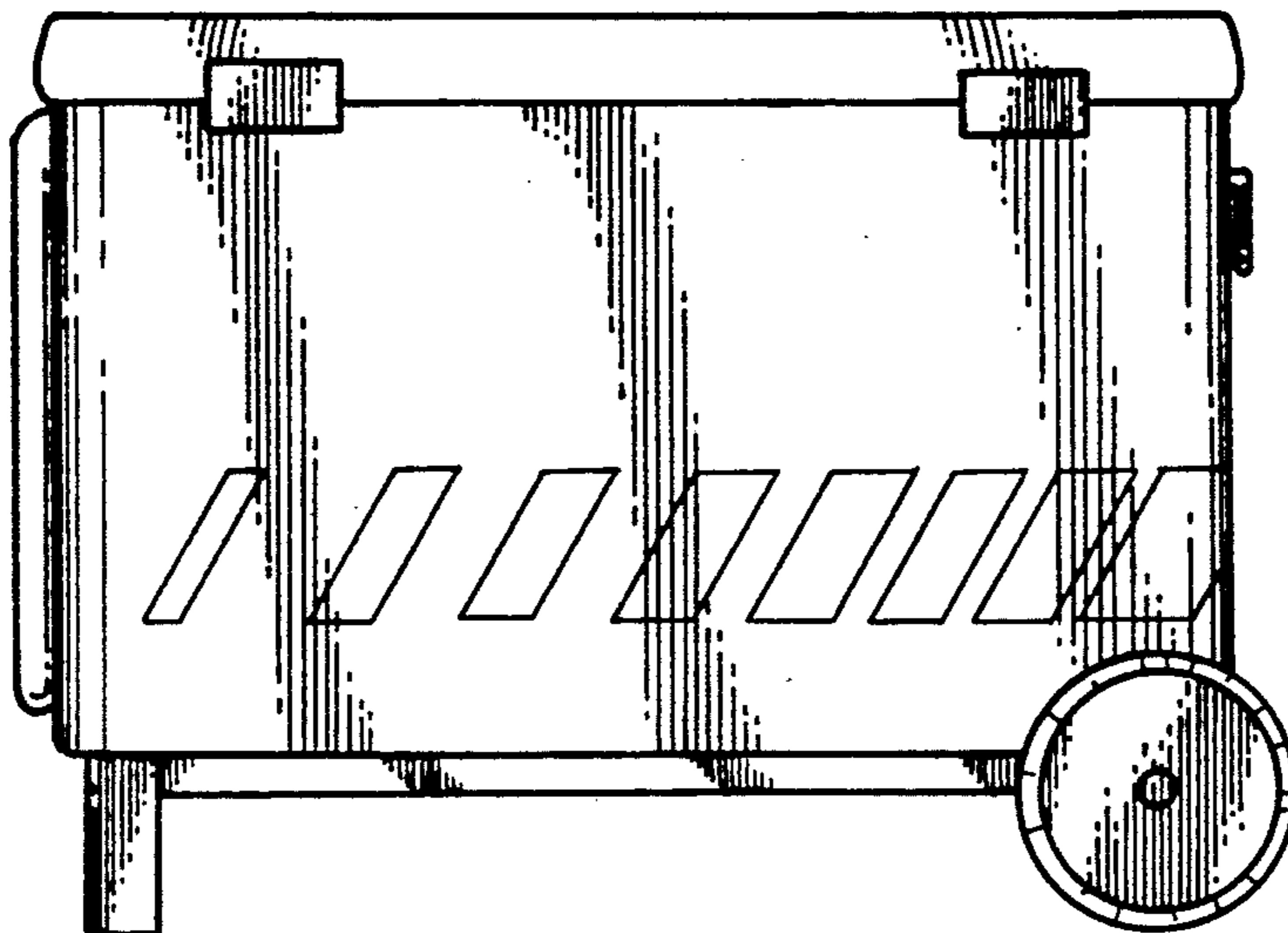


FIG. 3