



US00D328684S

# United States Patent [19]

[11] Patent Number: **Des. 328,684**

**Diefenbach**

[45] Date of Patent: **\*\* Aug. 18, 1992**

[54] **HANDPUMP-ESPRESSO MACHINE**

D. 96,606 8/1935 Heath ..... D7/309  
D. 243,141 1/1977 Mantelet ..... D7/309  
D. 292,258 10/1987 Diefenbach ..... D7/311 X

[75] Inventor: **Bernd Diefenbach, Munich, Fed. Rep. of Germany**

### OTHER PUBLICATIONS

Krups Espresso Mini Dec. 22, 1987.

[73] Assignee: **Arthur Eugster AG, Romanshorn, Switzerland**

*Primary Examiner*—Donald P. Walsh  
*Assistant Examiner*—M. N. Pandozzi  
*Attorney, Agent, or Firm*—Darby & Darby

[\*\*] Term: **14 Years**

[21] Appl. No.: **445,012**

### [57] CLAIM

[22] Filed: **Nov. 30, 1989**

The ornamental design for a handpump-espresso machine, as shown and described.

### [30] Foreign Application Priority Data

Jun. 2, 1989 [DE] Fed. Rep. of Germany ..... M8903983.I

### DESCRIPTION

[52] U.S. Cl. .... **D7/309; D7/311**

FIG. 1 is a front perspective view of a handpump-espresso machine showing my new design; FIG. 2 is a front elevational view thereof; FIG. 3 is a left side elevational view thereof; FIG. 4 is a right side elevational view thereof; FIG. 5 is a rear elevational view thereof; FIG. 6 is a bottom plan view thereof; and, FIG. 7 is a top plan view thereof.

[58] Field of Search ..... **D7/300, 305, 308, 309, D7/312, 311; 99/292, 323.3**

### [56] References Cited

#### U.S. PATENT DOCUMENTS

D. 94,194 1/1935 Ehrenreich ..... D7/309

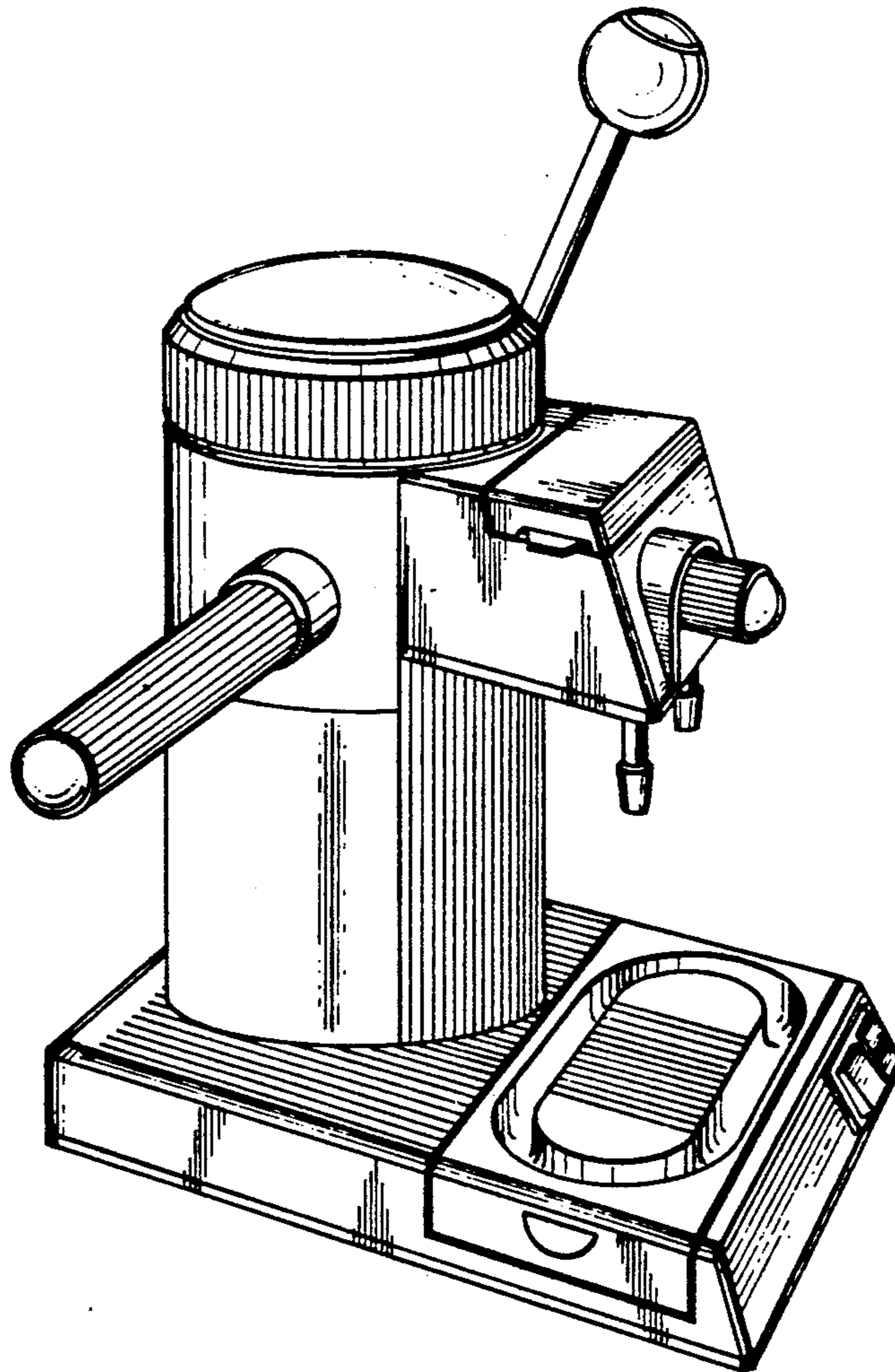


FIG. 2

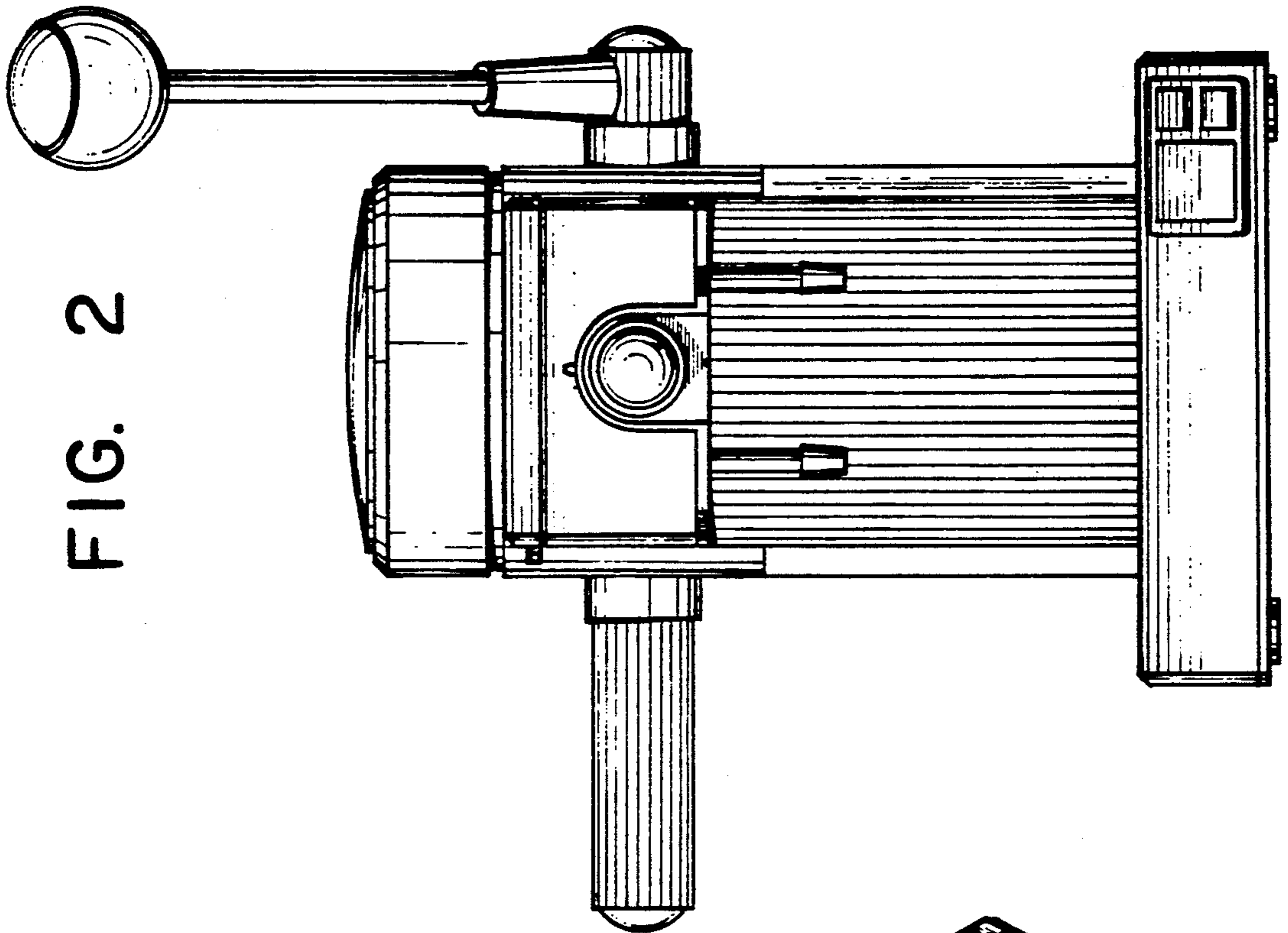
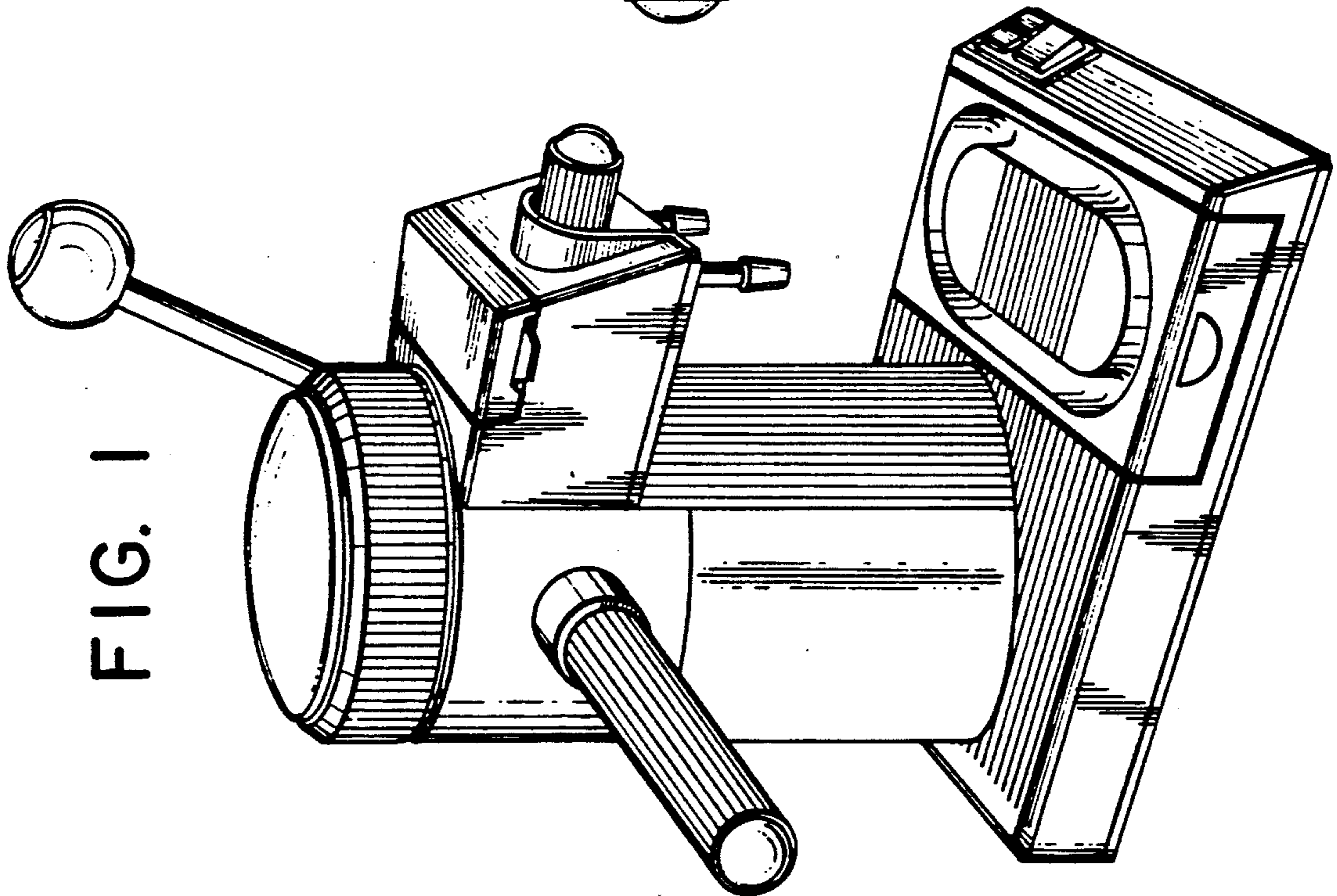


FIG. 1



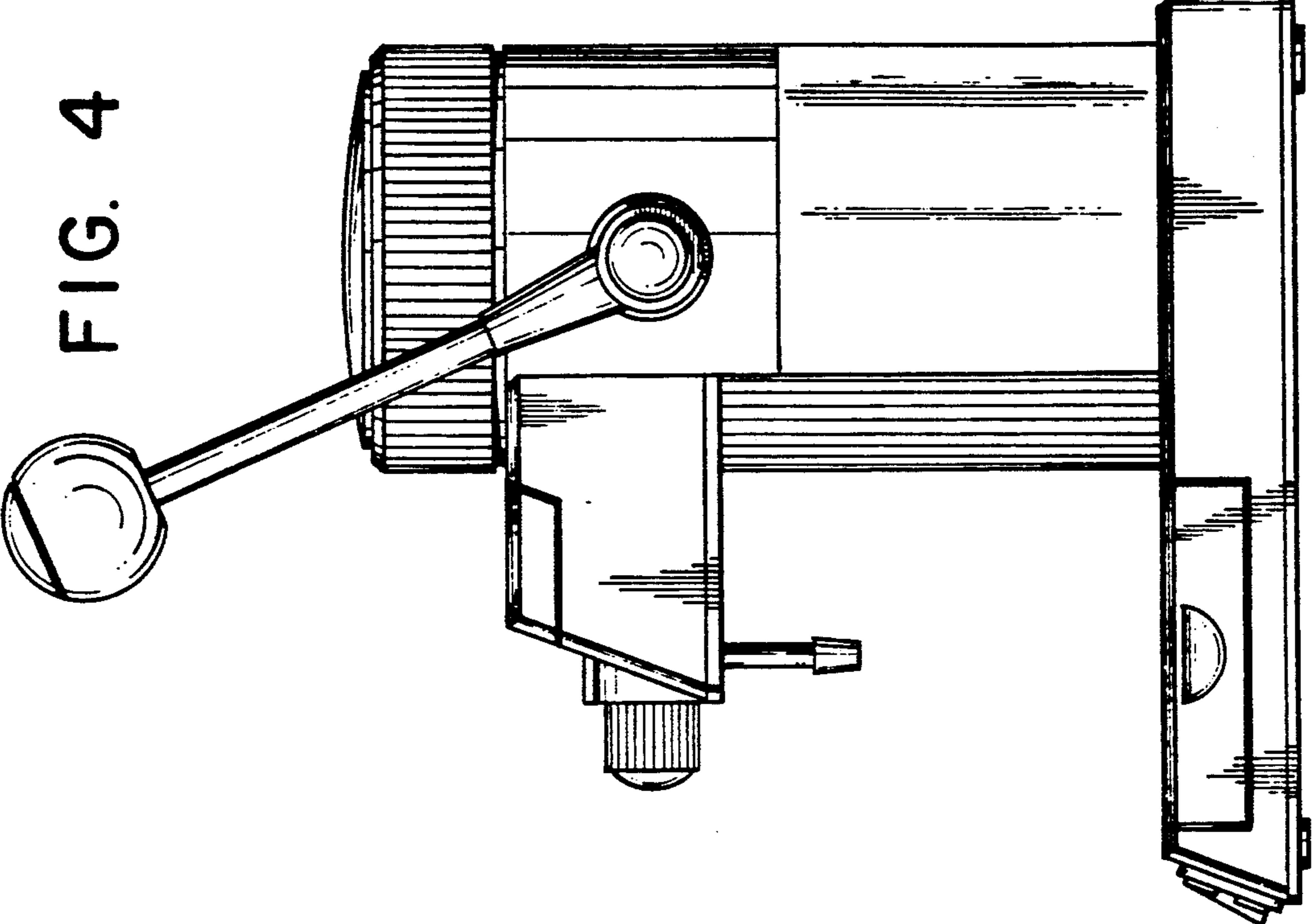


FIG. 4

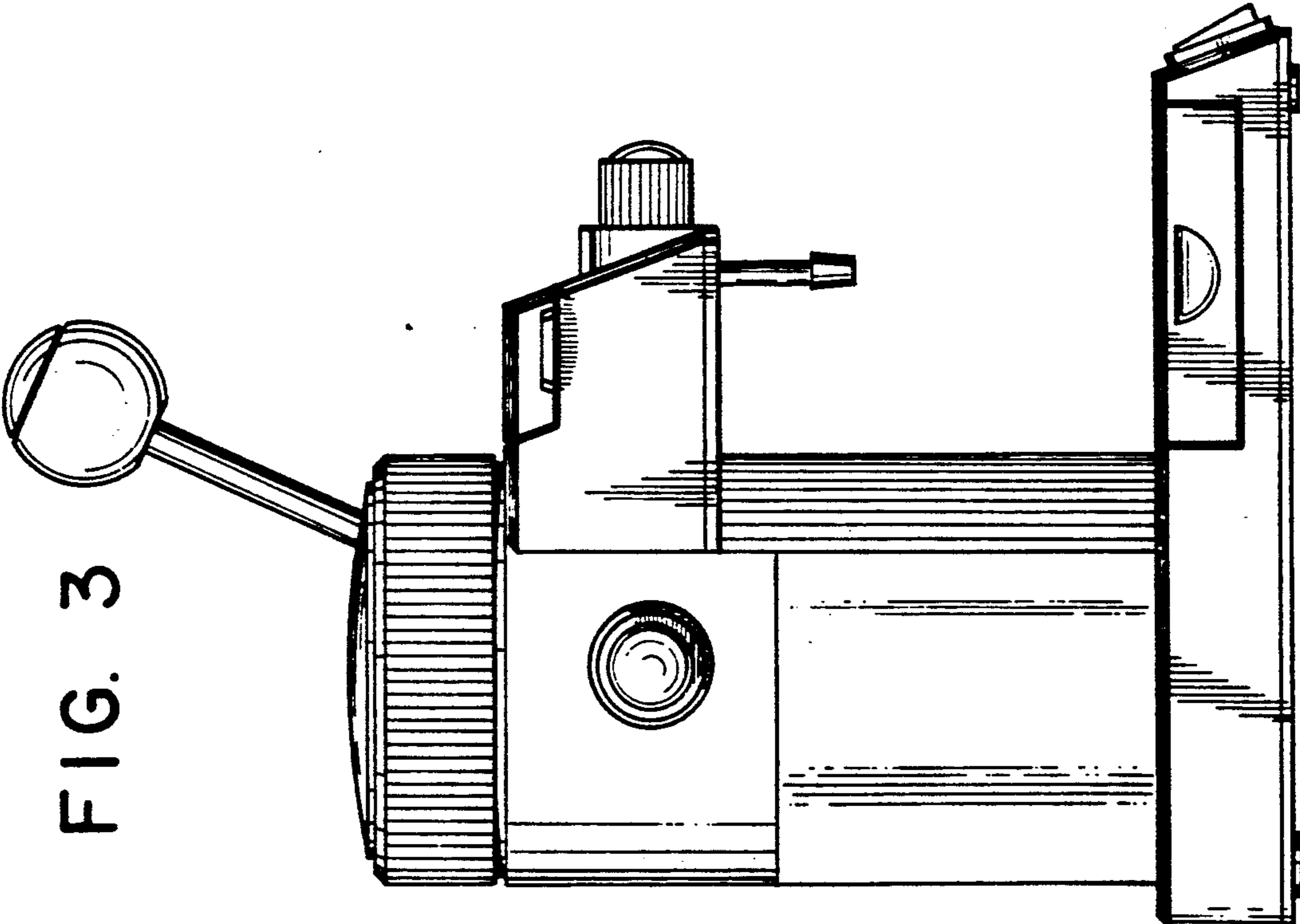


FIG. 3

FIG. 6

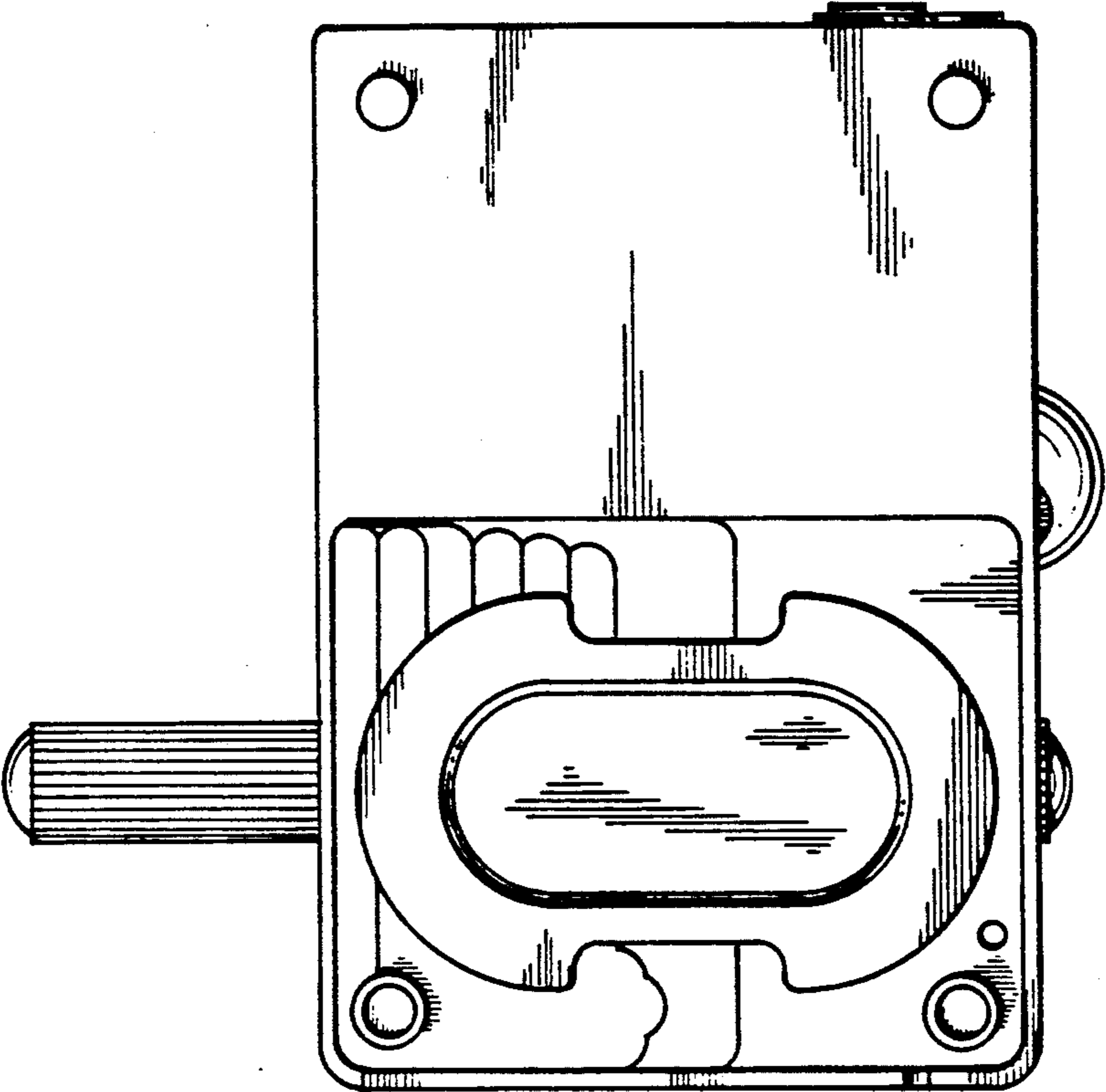


FIG. 5

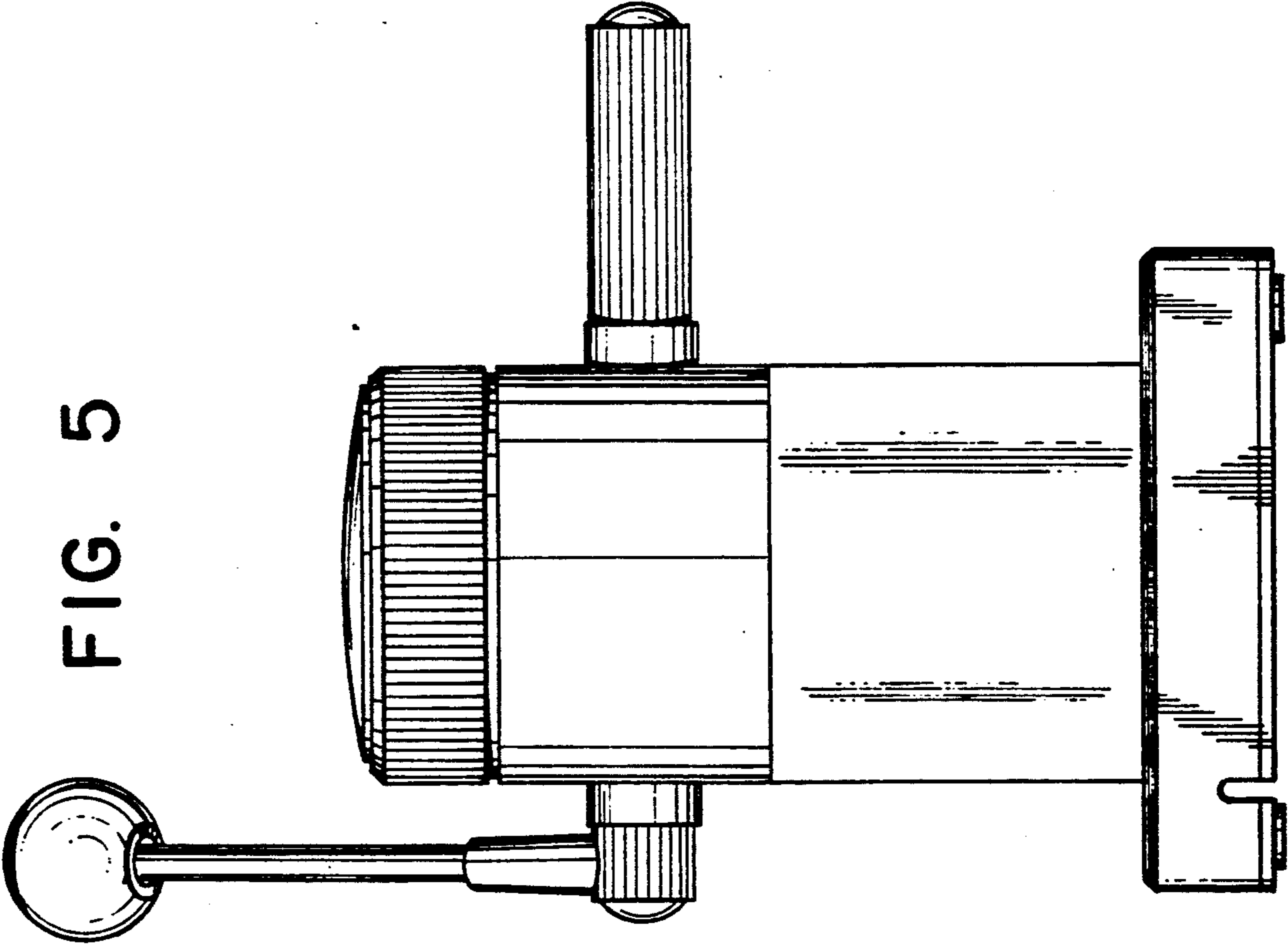


FIG. 7

