



US00D328680S

United States Patent [19]

[11] Patent Number: Des. 328,680

Zapf

[45] Date of Patent: ** Aug. 18, 1992

- [54] SHELF OR SIMILAR ARTICLE
- [75] Inventor: Otto Zapf, Koenigstein/Ts, Fed. Rep. of Germany
- [73] Assignee: Allsteel Inc., Aurora, Ill.
- [**] Term: 14 Years
- [21] Appl. No.: 442,181
- [22] Filed: Nov. 28, 1989

Assistant Examiner—Janice E. Seeger
 Attorney, Agent, or Firm—Lee, Mann, Smith,
 McWilliams, Sweeney & Ohlson

[57] CLAIM

The ornamental design for a shelf or similar article, as shown and described.

DESCRIPTION

FIG. 1 is a perspective view of a shelf or similar article, showing my new design;
 FIG. 2 is an enlarged fragmentary view of the shelf or similar article taken from the left side;
 FIG. 3 is an enlarged fragmentary view of the shelf or similar article taken from the front left;
 FIG. 4 is a top plan view;
 FIG. 5 is a front elevational view;
 FIG. 6 is a rear elevational view;
 FIG. 7 is a right side elevational view, the left side being a mirror image thereof;
 FIG. 8 is a bottom plan view;
 FIG. 9 is a perspective view of a shelf or similar article, showing an alternate embodiment of my new design;
 FIG. 10 is a top plan view of the alternate embodiment;
 FIG. 11 is a front elevational view of the alternate embodiment;
 FIG. 12 is a rear elevational view of the alternate embodiment;
 FIG. 13 is a left side elevational view of the second embodiment, the right side being a mirror image thereof; and,
 FIG. 14 is a bottom plan view of the alternate embodiment.

Related U.S. Application Data

- [60] Continuation-in-part of Ser. No. 259,092, Oct. 18, 1988, abandoned, and a continuation-in-part of Ser. No. 259,093, Oct. 18, 1988, abandoned, which is a division of Ser. No. 901,162, Aug. 26, 1986, Pat. No. Des. 302,497.
- [52] U.S. Cl. D6/511
- [58] Field of Search D6/491, 492-494, D6/574, 422, 509-511, 428, 484, 555; 211/153, 134

References Cited

U.S. PATENT DOCUMENTS

D. 164,980	10/1951	Boggs	D6/555
D. 195,293	5/1963	Kegel	D6/428
D. 203,195	12/1965	Hughes	D6/428
D. 243,810	3/1977	Introini	D6/484
D. 245,655	9/1977	Friedrich	D6/494
D. 272,113	1/1984	Russell et al.	D6/494
D. 274,105	6/1984	Brescla et al.	D6/555
D. 284,532	7/1986	Vogt	D6/422 X
D. 300,097	3/1989	Cook	D6/492

Primary Examiner—Nelson C. Holtje

The drawing is shaded for color contrast.

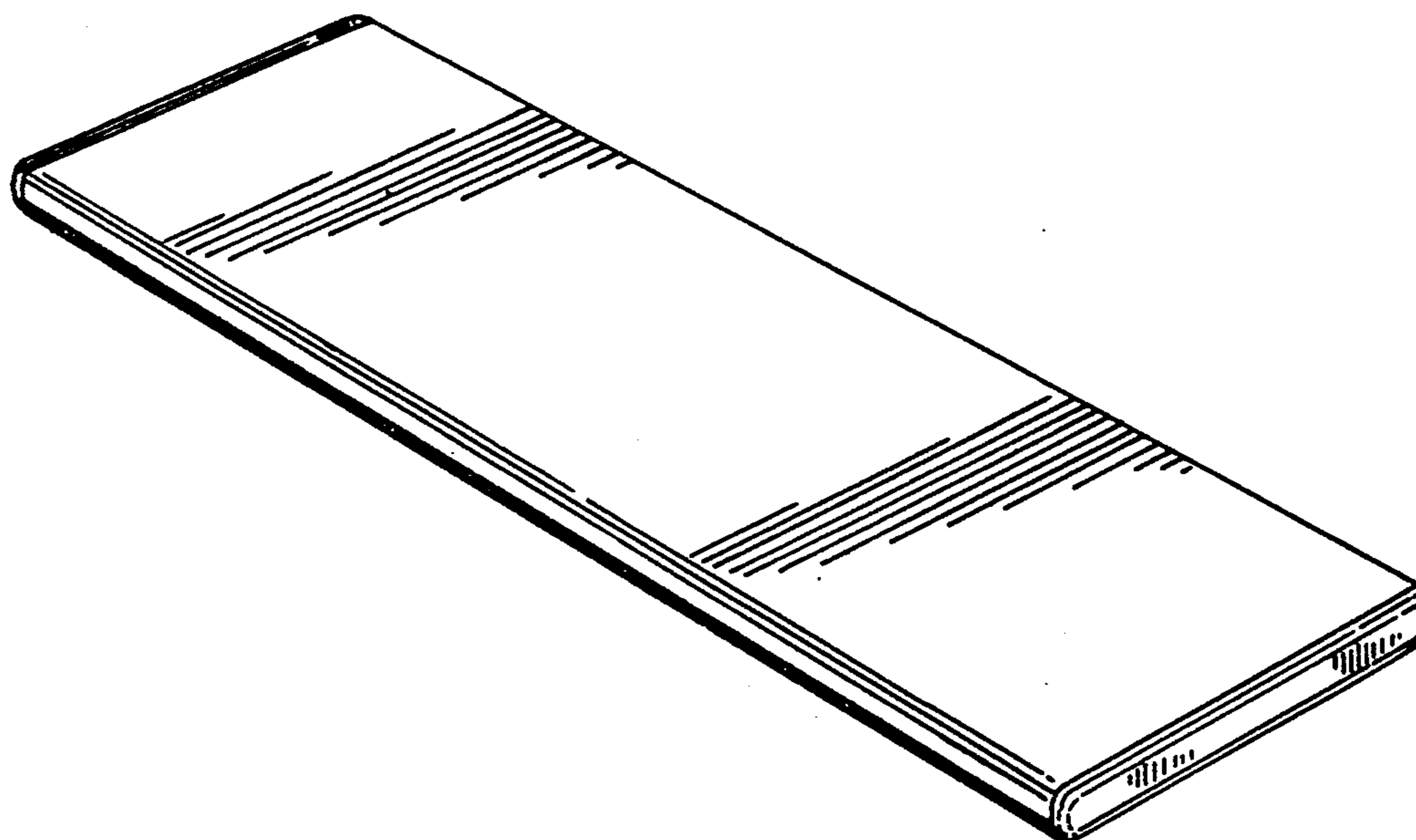


FIG. 1

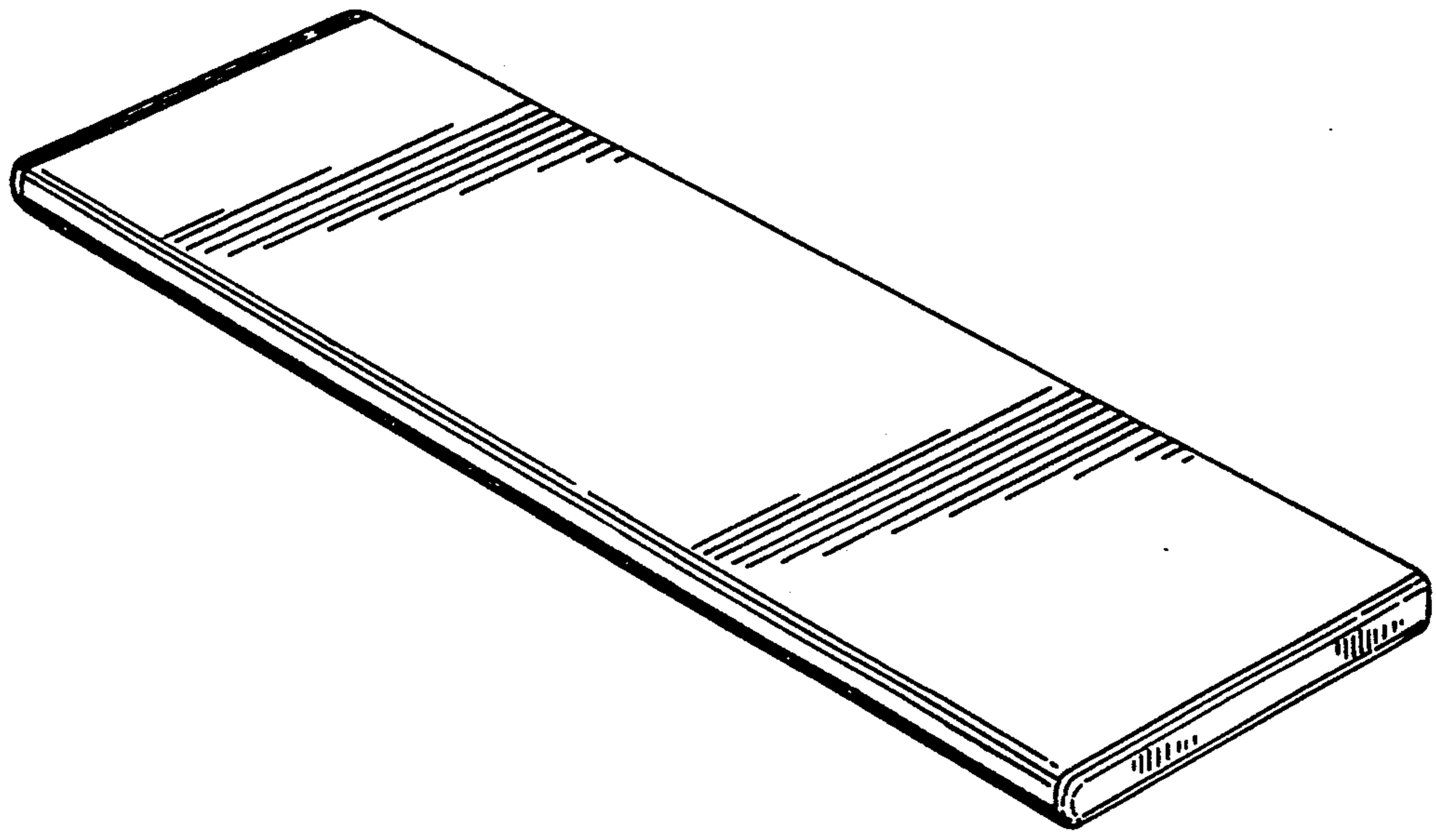


FIG. 2

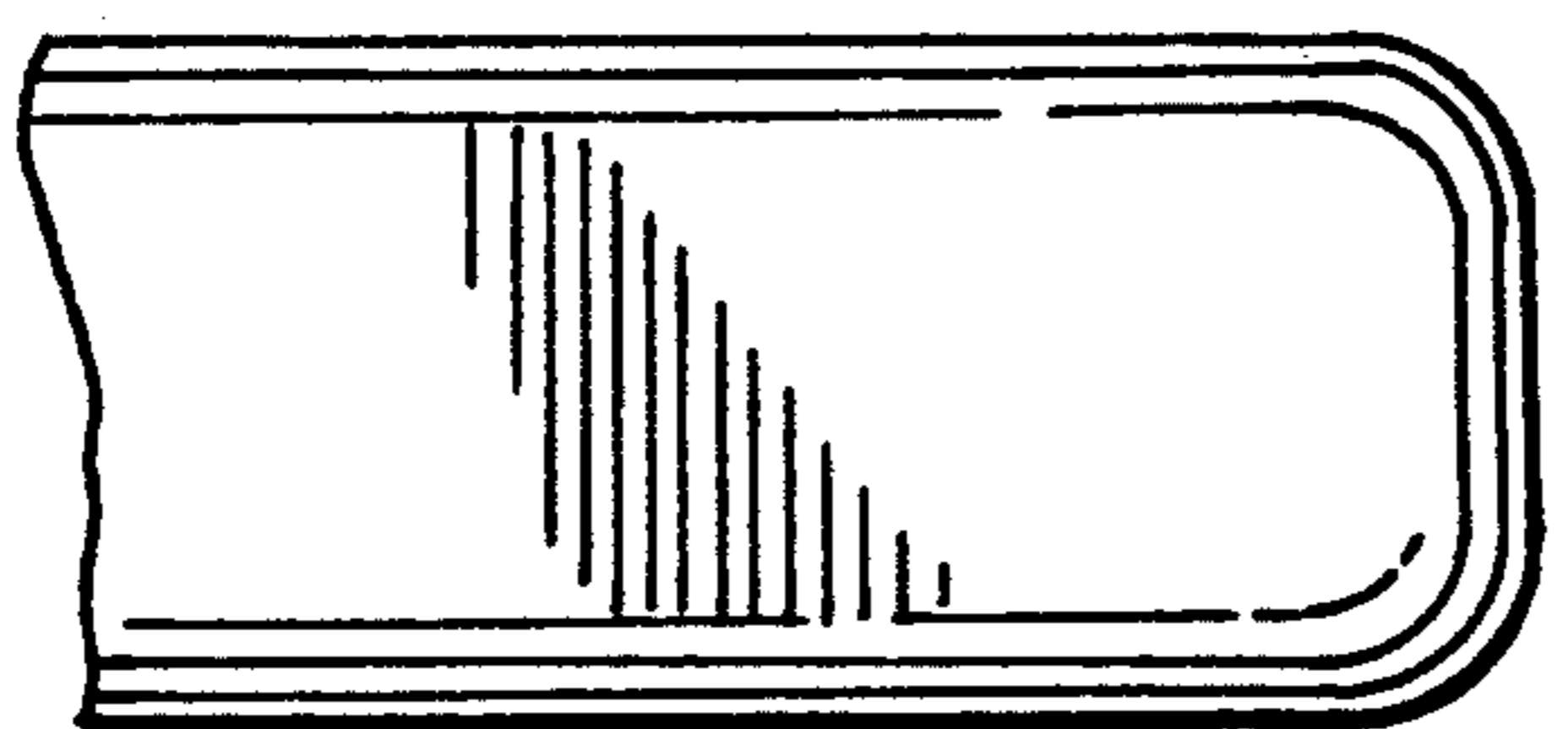


FIG. 3

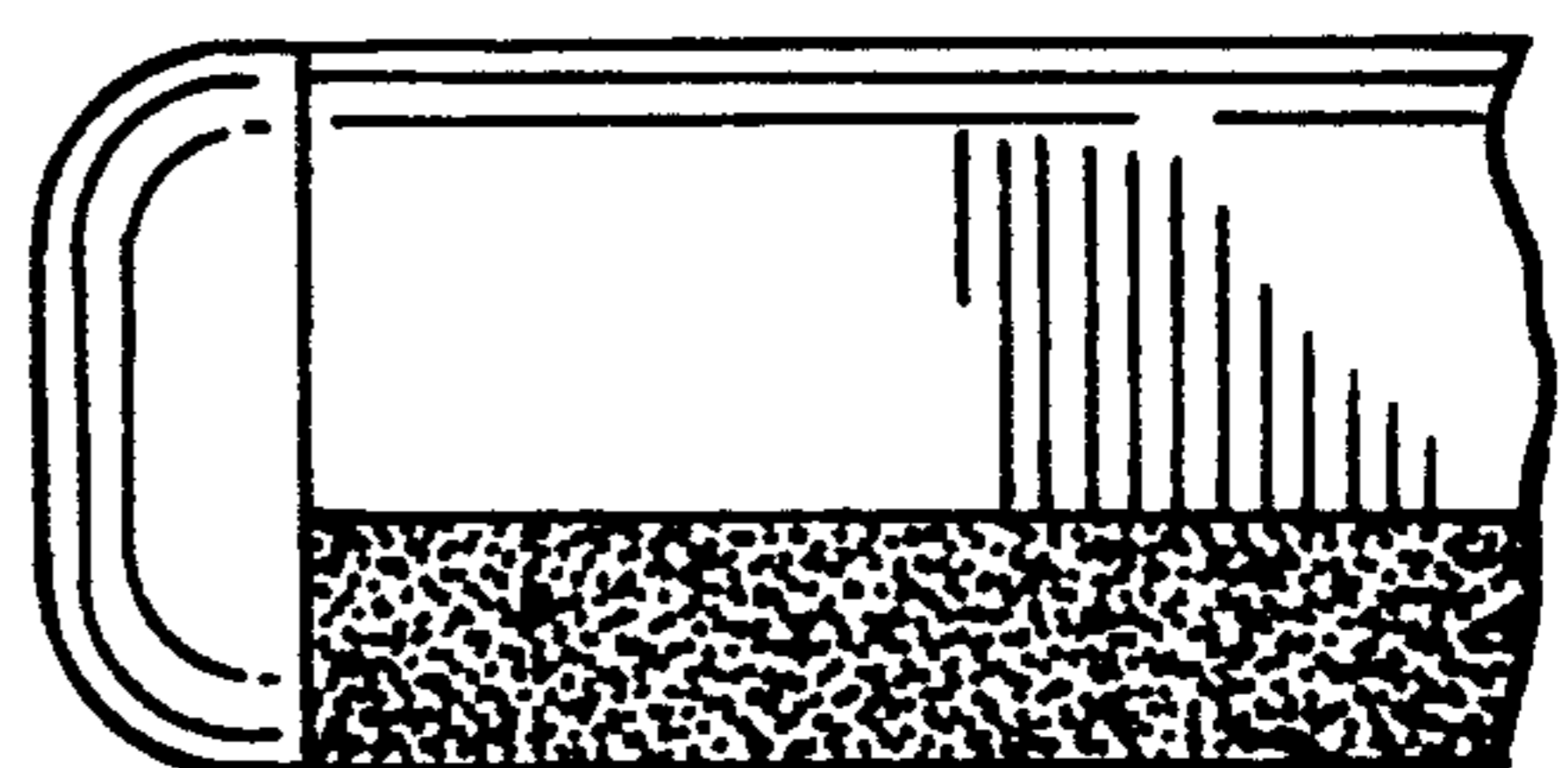


FIG. 4

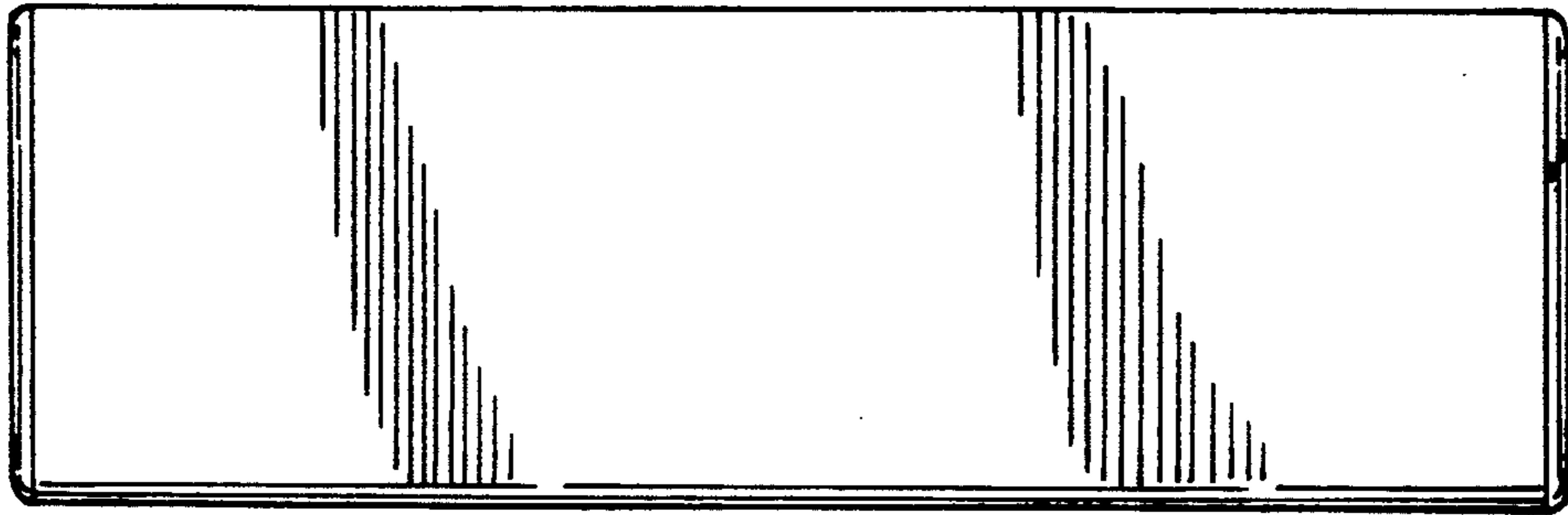


FIG. 5



FIG. 6



FIG. 7

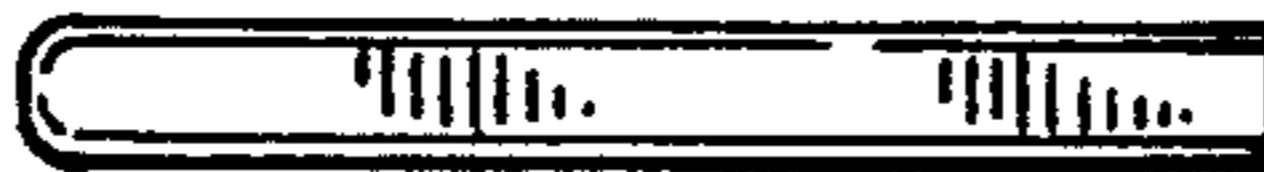
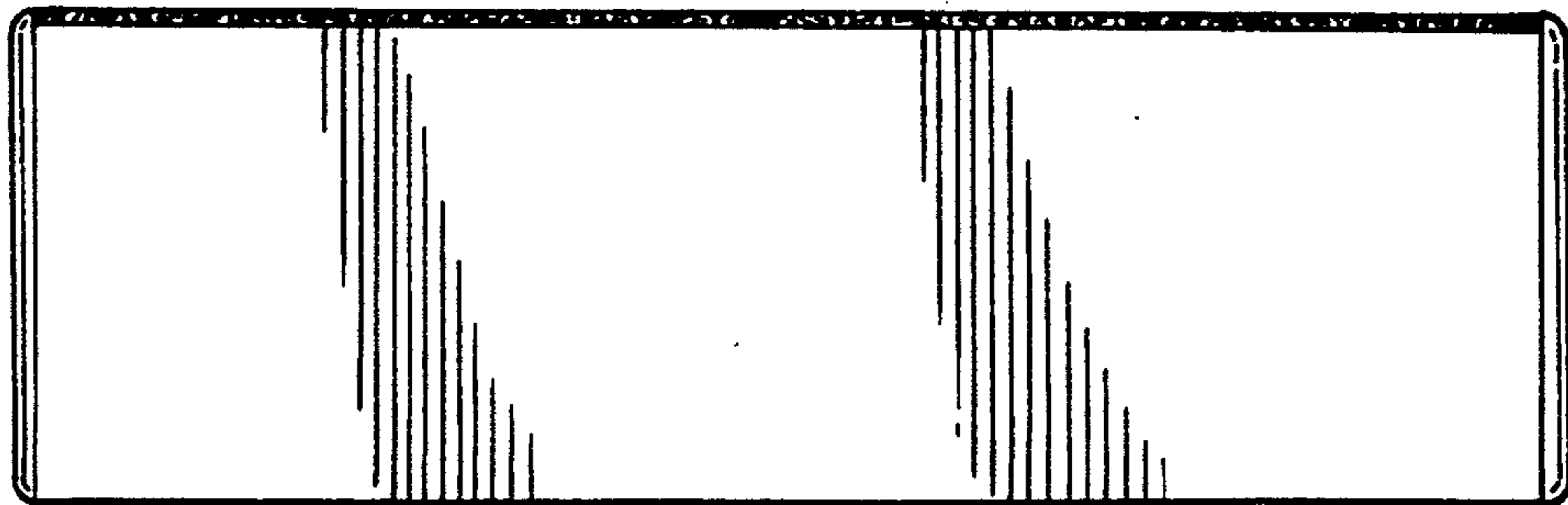


FIG. 8



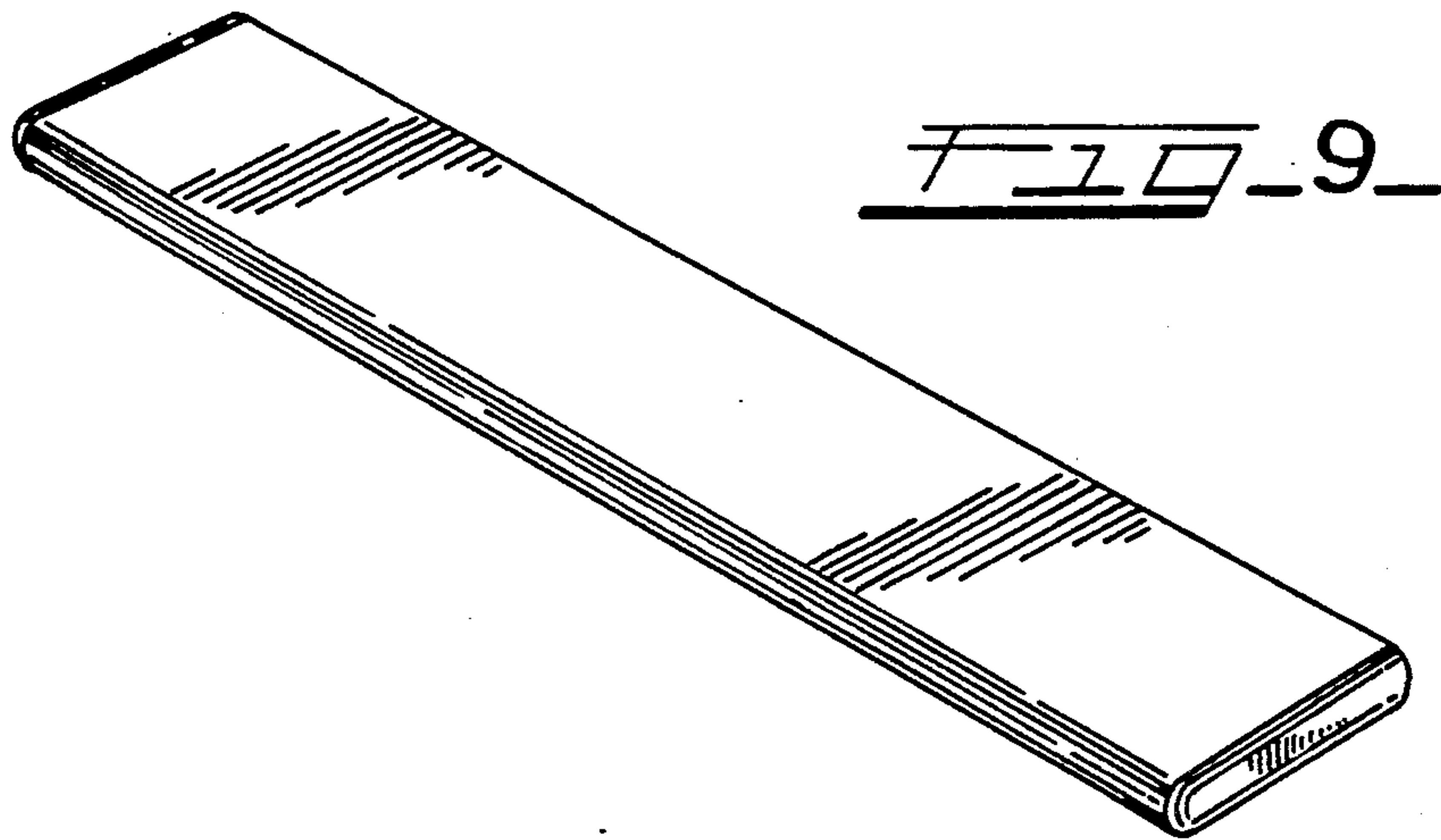


FIG. 9

FIG. 10

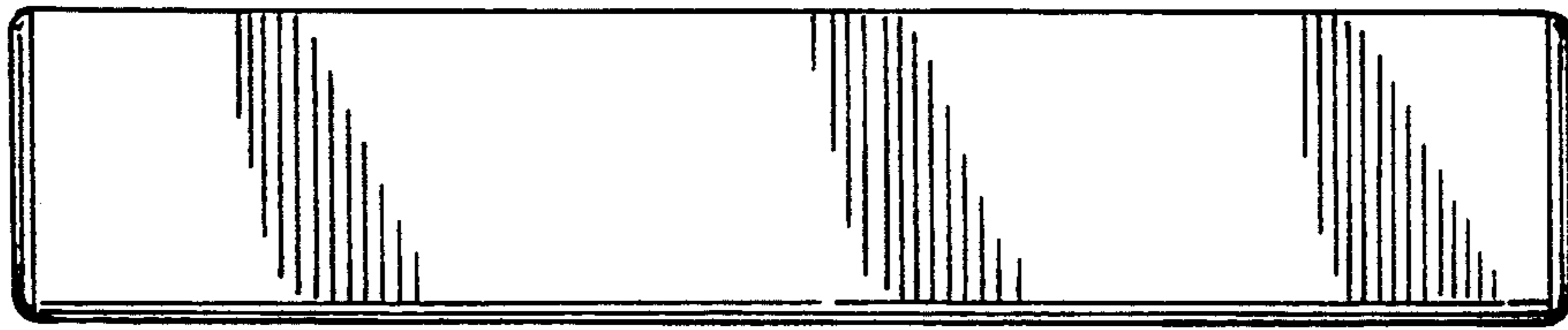


FIG. 11

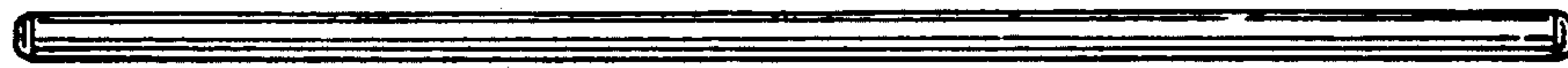


FIG. 12



FIG. 13



FIG. 14

