



US00D328675S

United States Patent [19]

[11] Patent Number: **Des. 328,675**

Barfield

[45] Date of Patent: **** Aug. 18, 1992**

[54] **CABINET**

[76] Inventor: **Jesse Barfield**, 4208 Canterwood Dr., Houston, Tex. 77068

[**] Term: **14 Years**

[21] Appl. No.: **395,414**

[22] Filed: **Aug. 17, 1989**

[52] U.S. Cl. **D6/436; D6/442; D6/470; D6/475**

[58] Field of Search **D6/480, 482, 484, 486, D6/511, 442, 436, 440, 445, 448, 447, 397, 399; D26/58; 108/23-25, 6; 312/194, 196, 238, 117; D30/104; D23/286, 288, 272**

[56] **References Cited**

U.S. PATENT DOCUMENTS

134,387 12/1872 Magee 312/228 X
D. 240,987 8/1976 DeLucia D6/447

D. 254,882 5/1980 Kenpf D6/326
D. 274,961 8/1984 Noonchester D6/447 X
3,297,375 1/1967 Reeves 312/117
4,429,931 2/1984 Brooks 312/237 X

OTHER PUBLICATIONS

Ethan Allen-Home Planning Ideas, p. 20, No. 667 Cabinet.

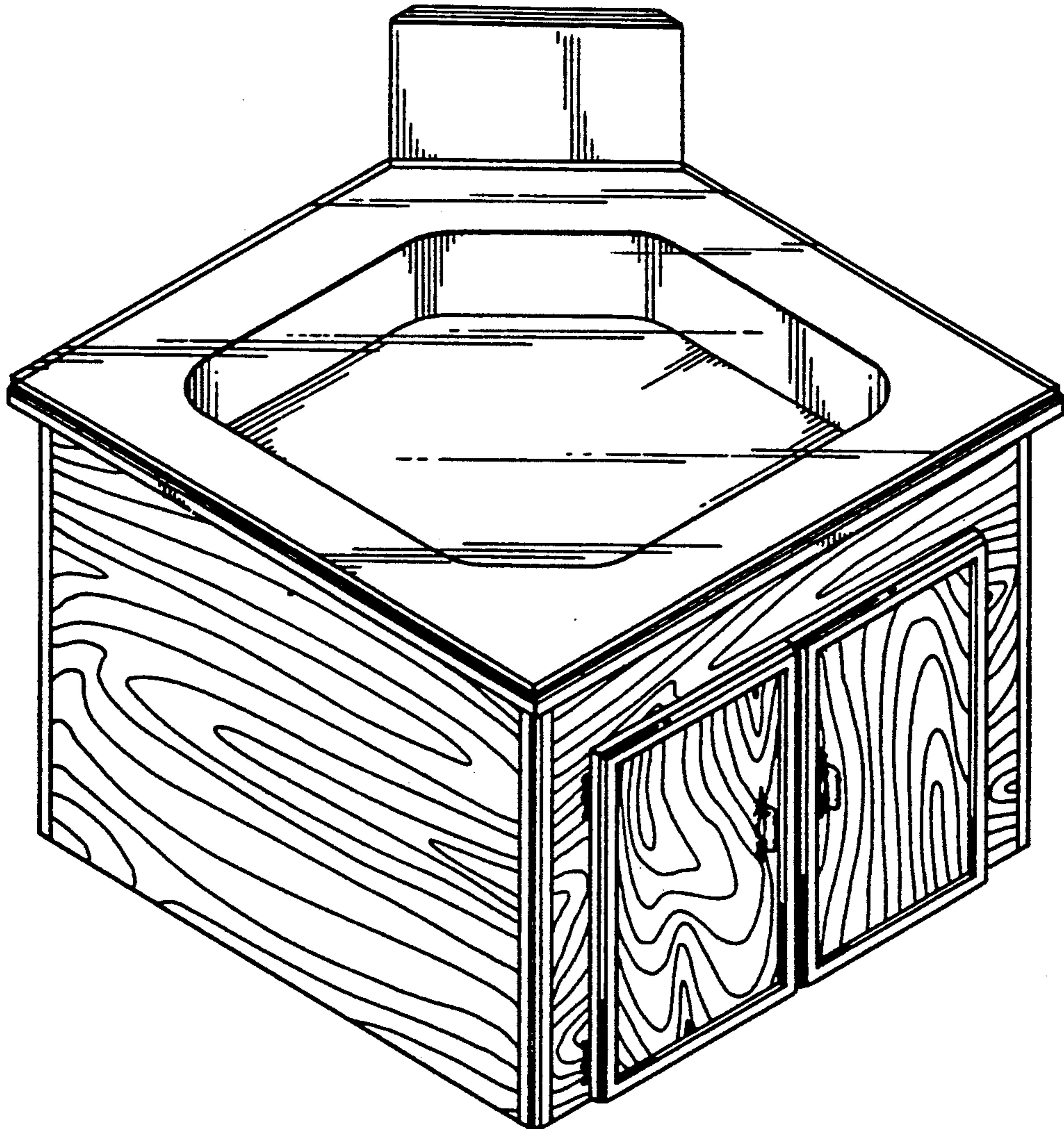
Primary Examiner—Nelson C. Holtje
Assistant Examiner—Janice E. Seeger
Attorney, Agent, or Firm—Pravel, Gambrell, Hewitt, Kimball & Krieger

[57] CLAIM

The ornamental design for a cabinet, as shown.

DESCRIPTION

FIG. 1 is a top perspective view of a cabinet, showing my new design; and, FIG. 2 is a bottom perspective view thereof.



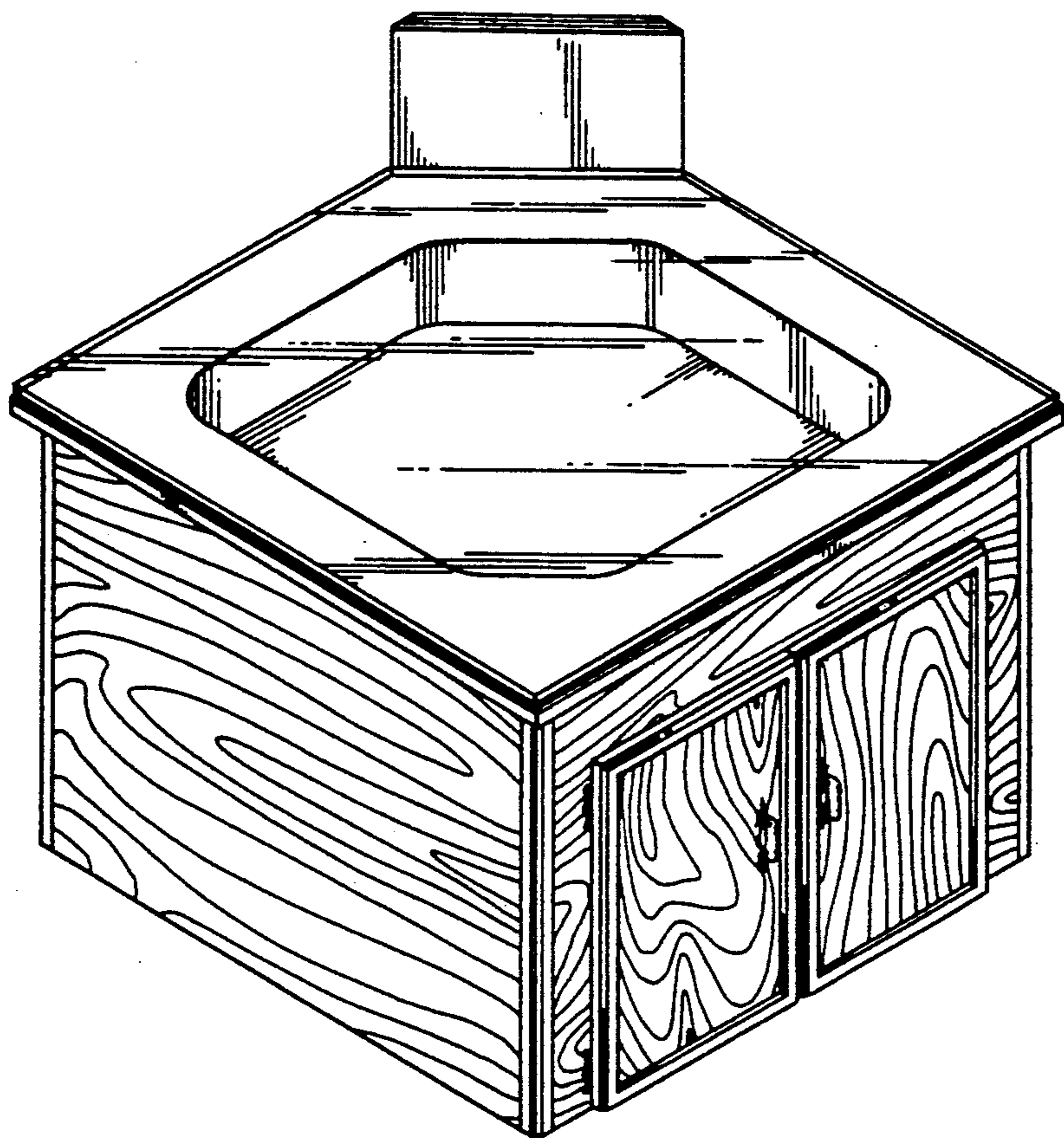


FIG. 1

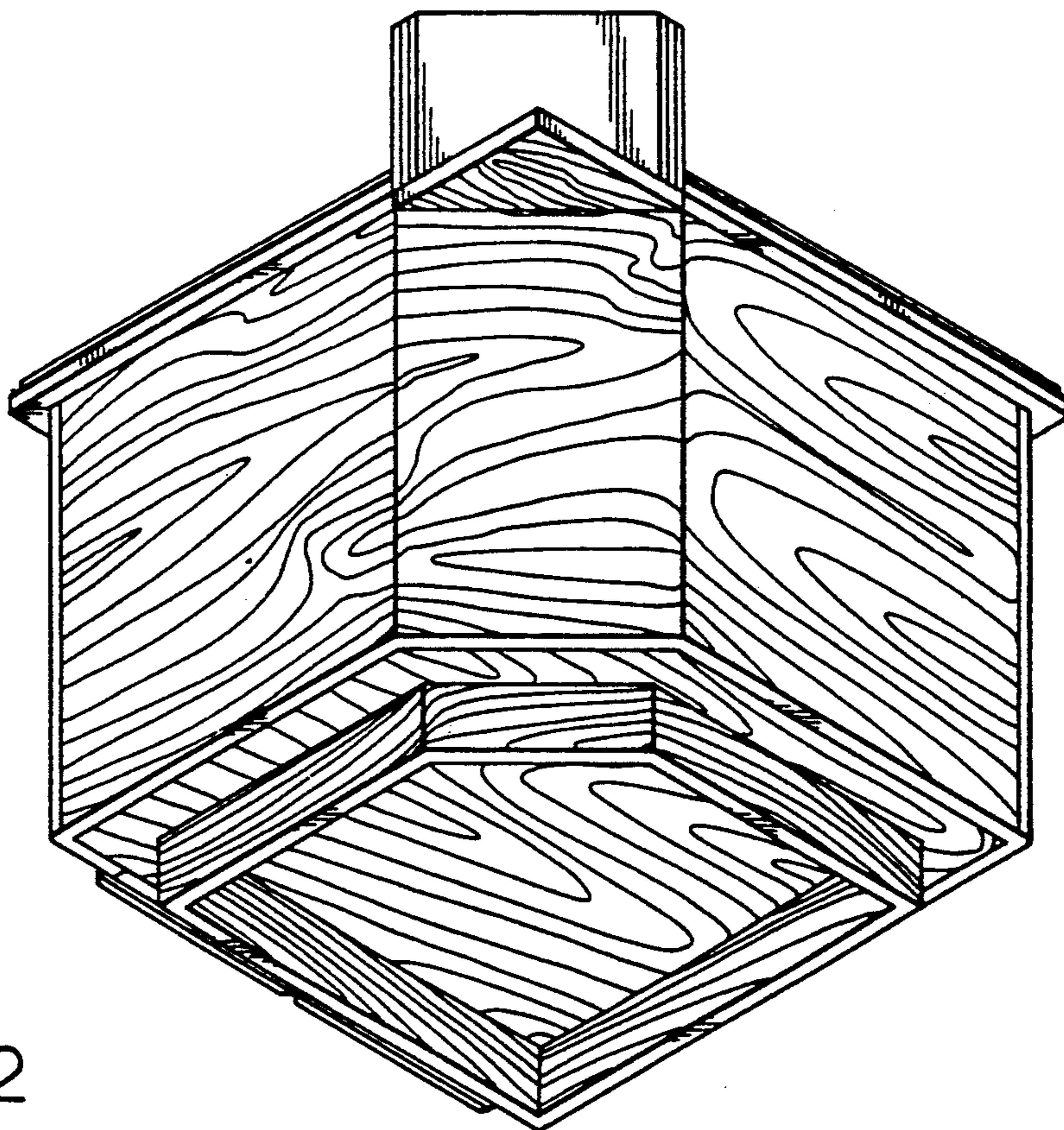


FIG. 2