



US00D328668S

United States Patent [19]

[11] Patent Number: **Des. 328,668**

Legrand

[45] Date of Patent: **** Aug. 18, 1992**

[54] **KNOT RETAINER FOR SHOELACES**

[76] Inventor: **Charles D. Legrand**, 22182 Duende,
Mission Viejo, Calif. 92691

[**] Term: **14 Years**

[21] Appl. No.: **477,659**

[22] Filed: **Feb. 9, 1990**

[52] U.S. Cl. **D2/316; D8/395;**
D28/40

[58] Field of Search **D2/314, 316; D11/213;**
D28/40; D8/395; 36/50, 132, 113, 136;
24/712-712.7; D32/64

[56] **References Cited**

U.S. PATENT DOCUMENTS

D. 187,527	3/1960	Greene	D11/215	X
D. 277,534	2/1985	Warmath	D32/64	
592,140	10/1897	Gross	24/712.2	X
660,643	10/1900	Kroeninger	24/712.2	
1,730,452	10/1929	Jaques	24/712.6	
3,114,950	12/1963	Sellman	24/712.2	

FOREIGN PATENT DOCUMENTS

8702 of 1891 United Kingdom 24/712.2

OTHER PUBLICATIONS

1987 Brookside Enterprises, Inc. Item Brochure Item #88500.

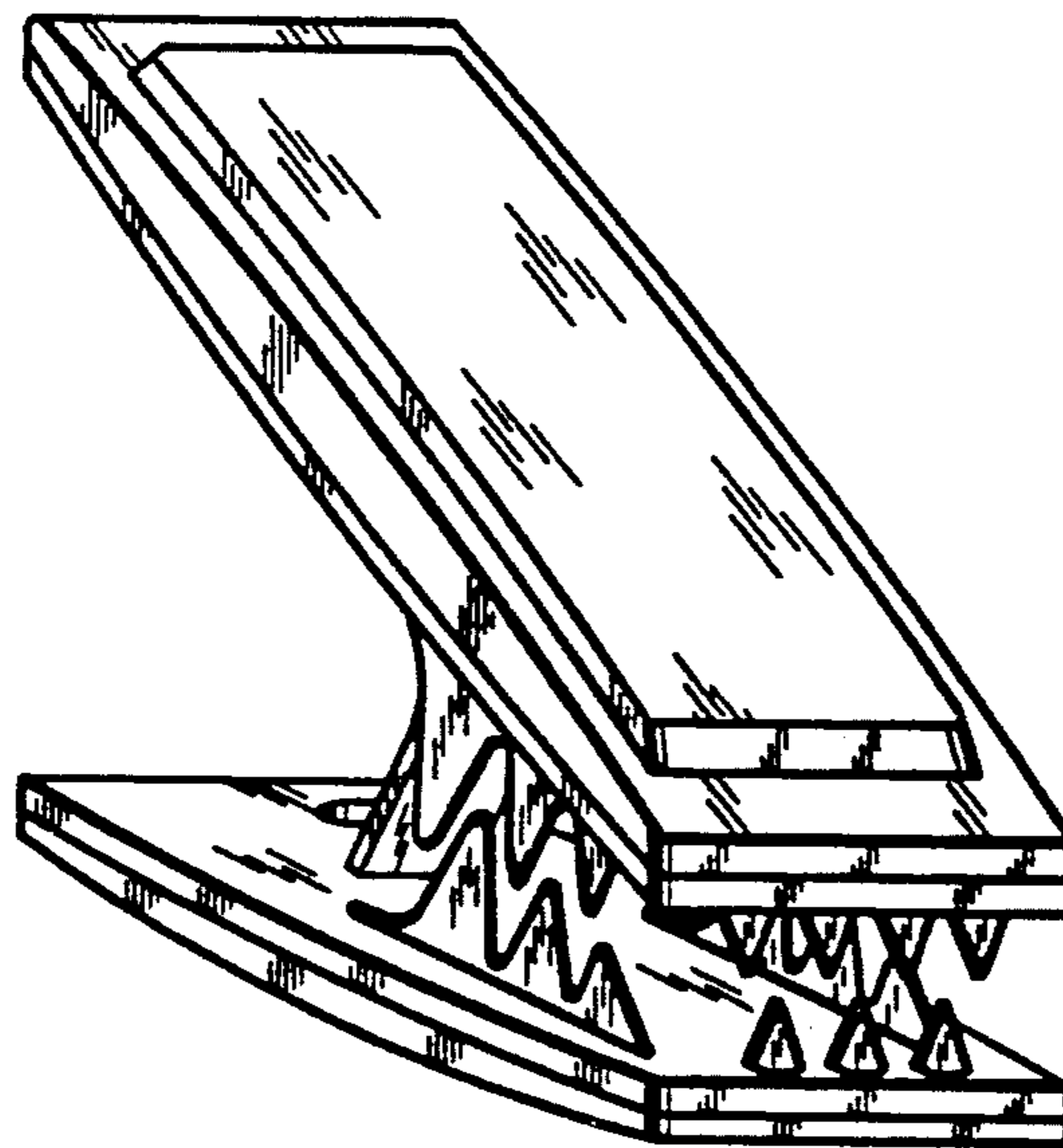
Primary Examiner—Louis S. Zarfaz
Attorney, Agent, or Firm—Knobbe, Martens, Olson & Bear

[57] **CLAIM**

The ornamental design of a knot retainer for shoelaces, as shown.

DESCRIPTION

FIG. 1 is a perspective view of a knot retainer for shoelaces showing my new design;
FIG. 2 is a top plan view thereof;
FIG. 3 is a left side elevational view thereof;
FIG. 4 is a front elevational view thereof;
FIG. 5 is a right side elevational view thereof;
FIG. 6 is a bottom plan view thereof; and,
FIG. 7 is a rear elevational view thereof.



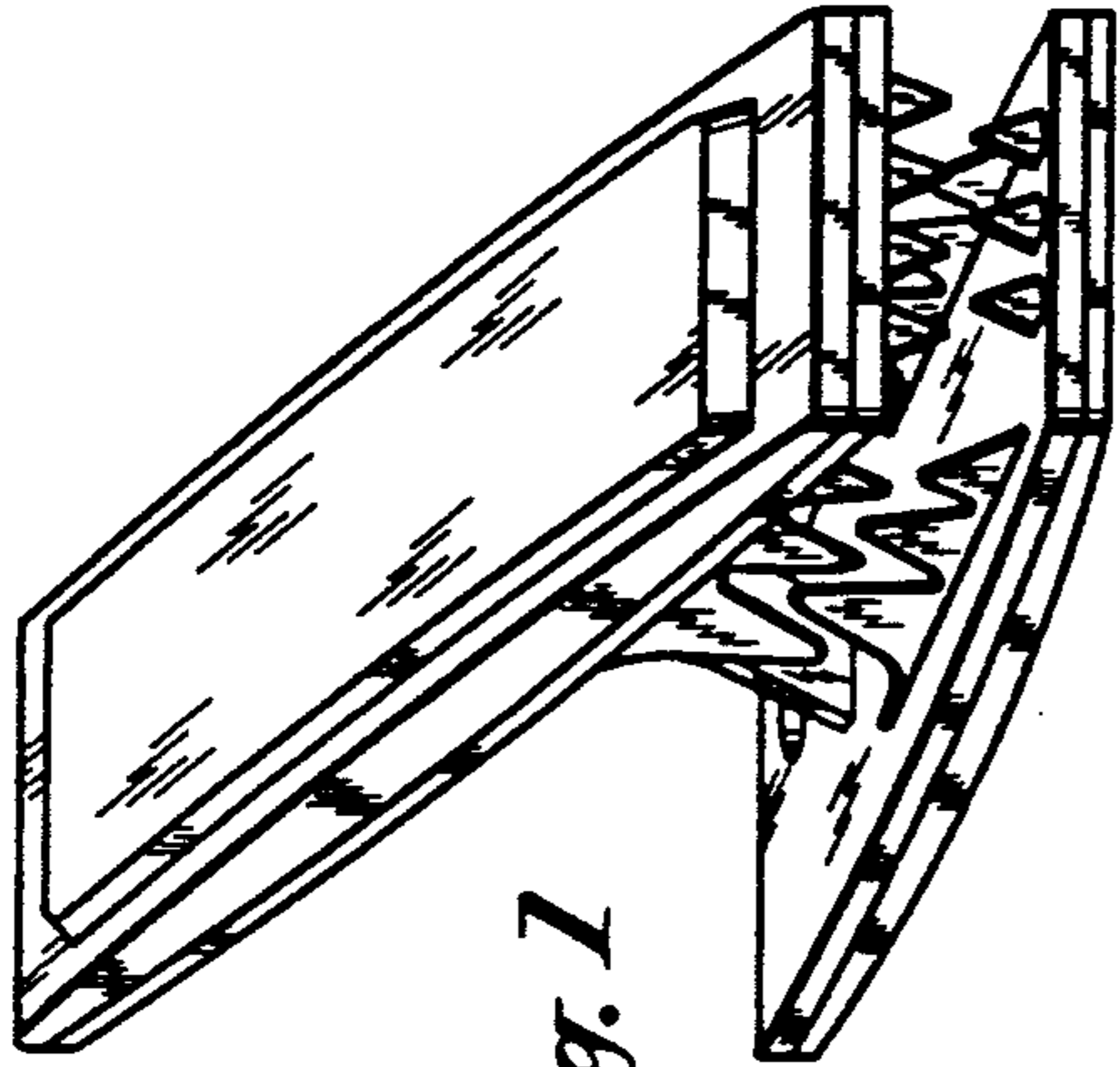


Fig. 1

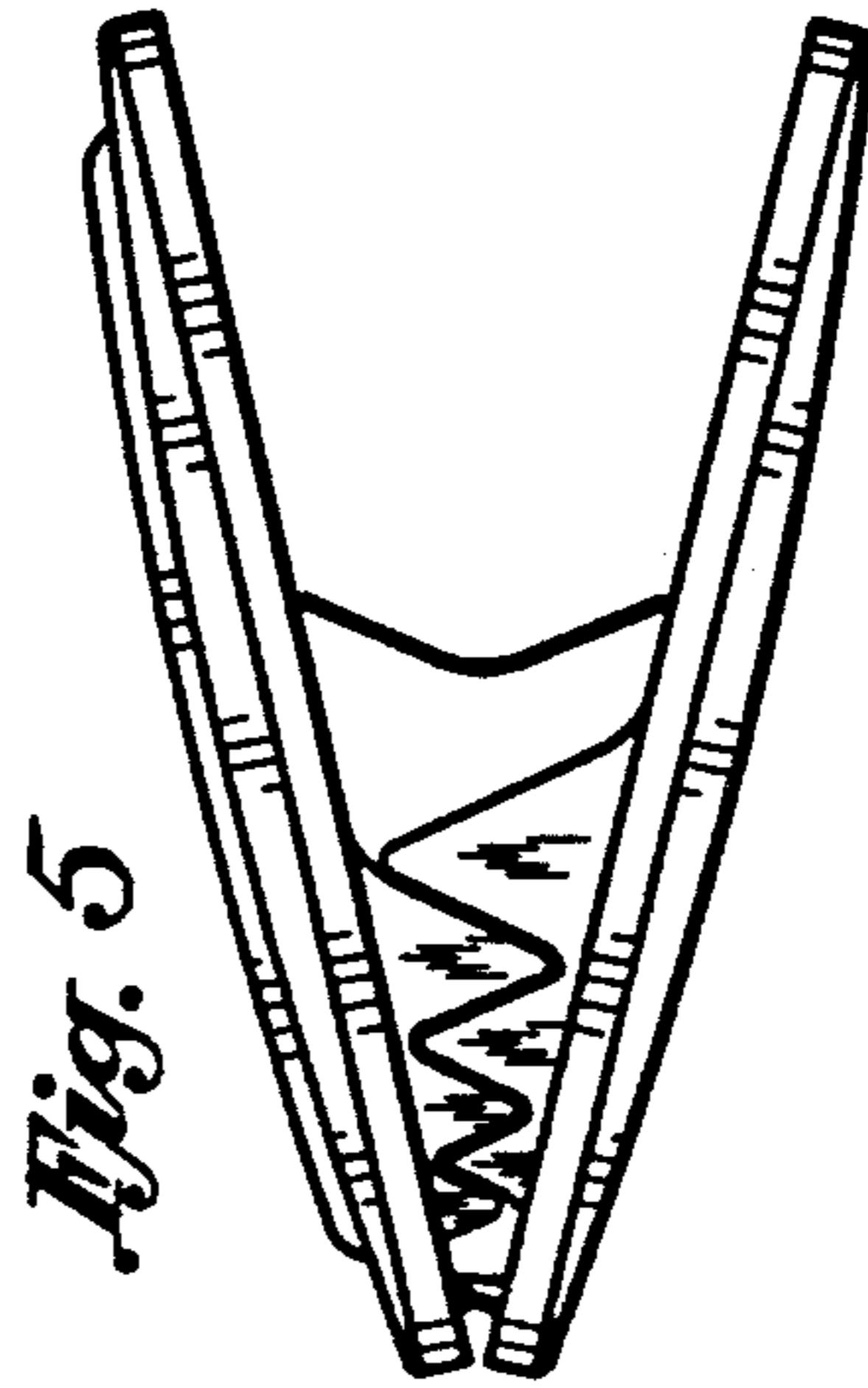


Fig. 5

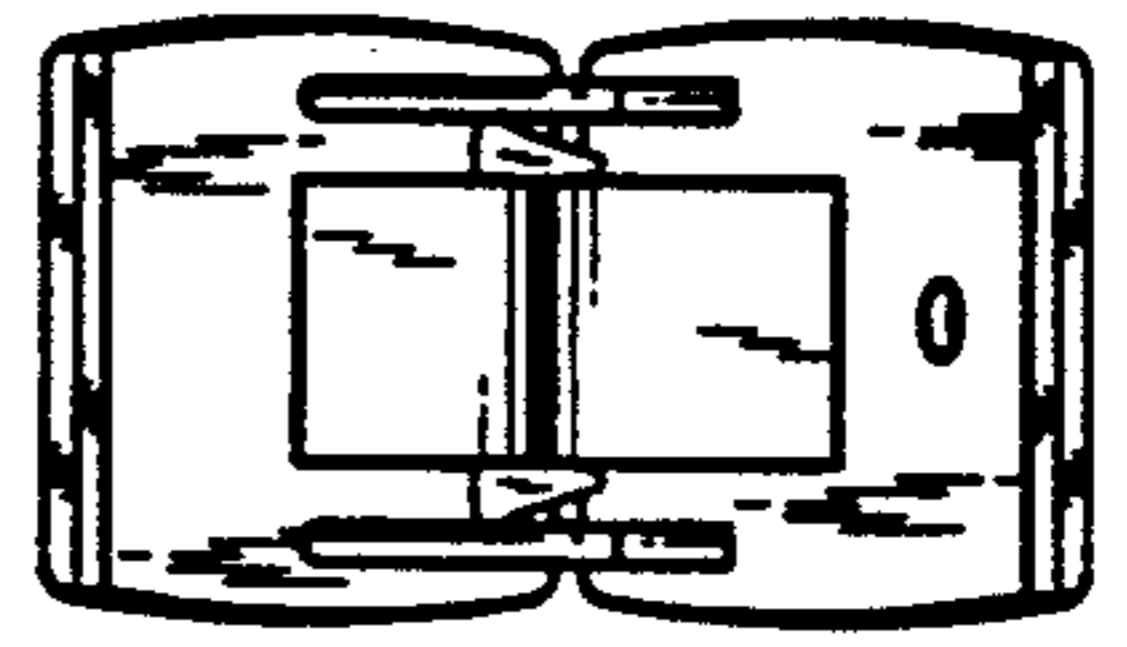


Fig. 7

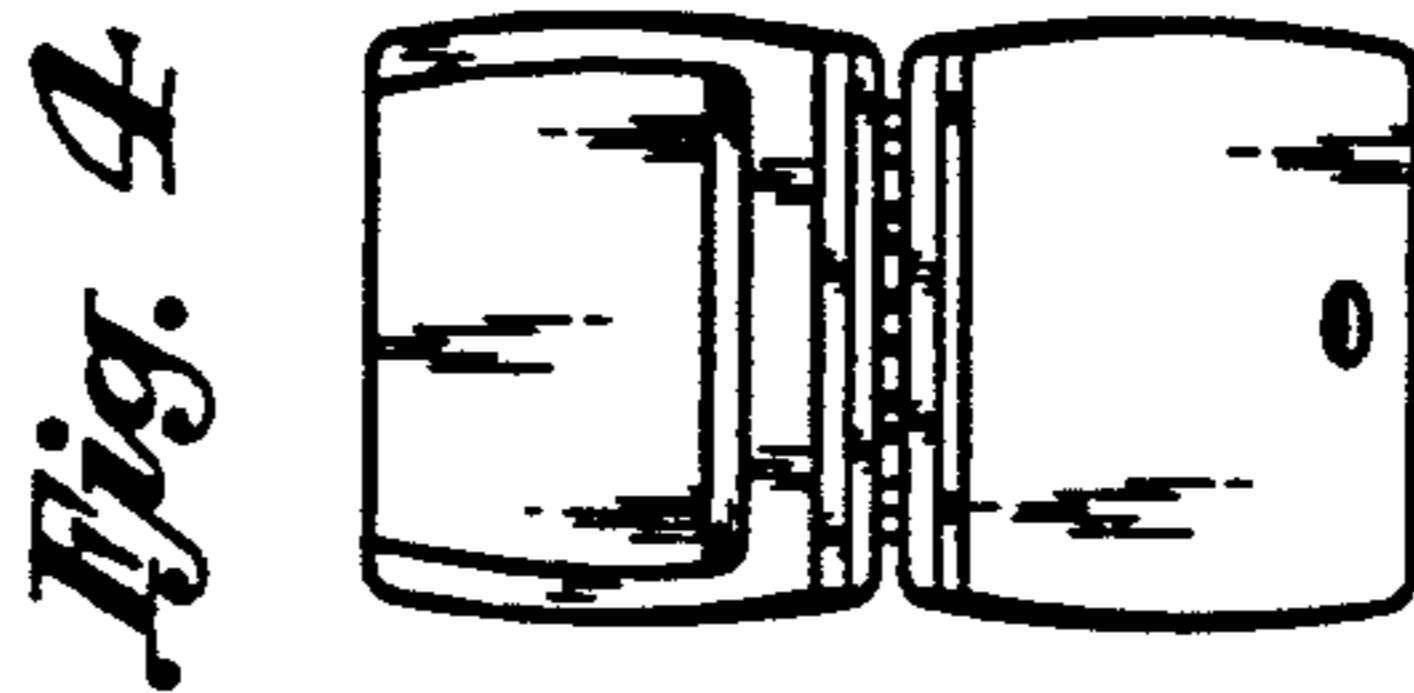


Fig. 4

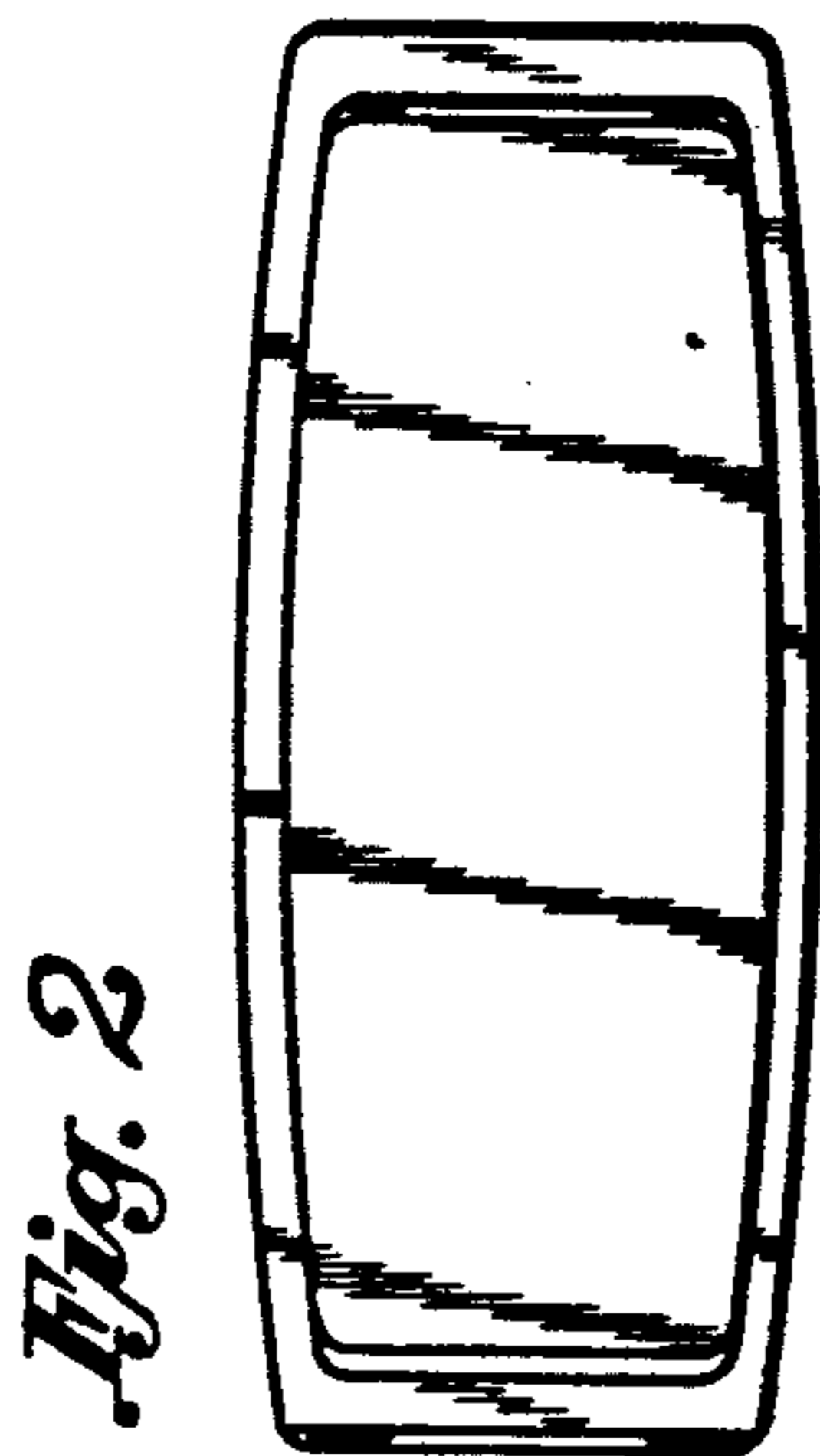


Fig. 2

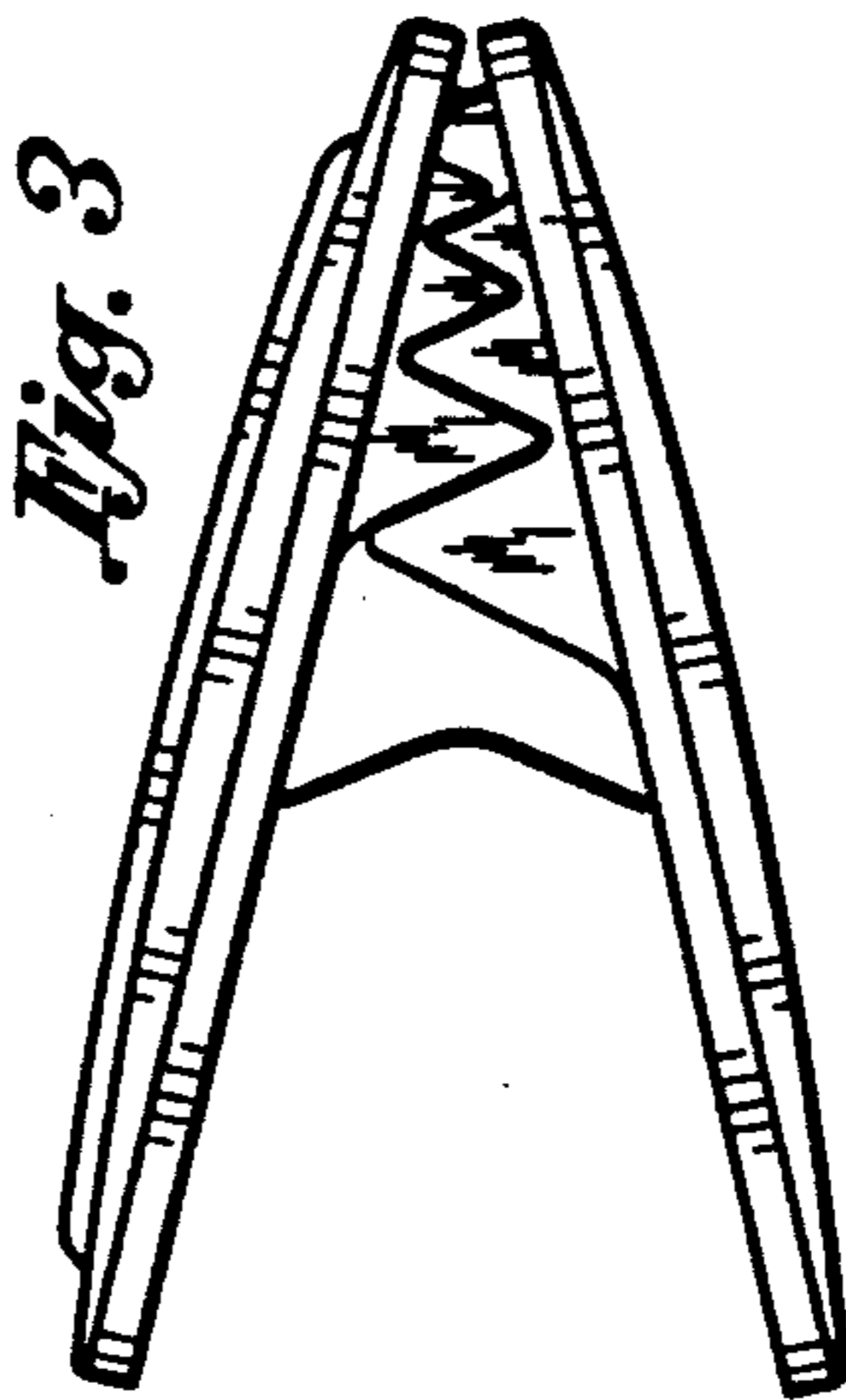


Fig. 3

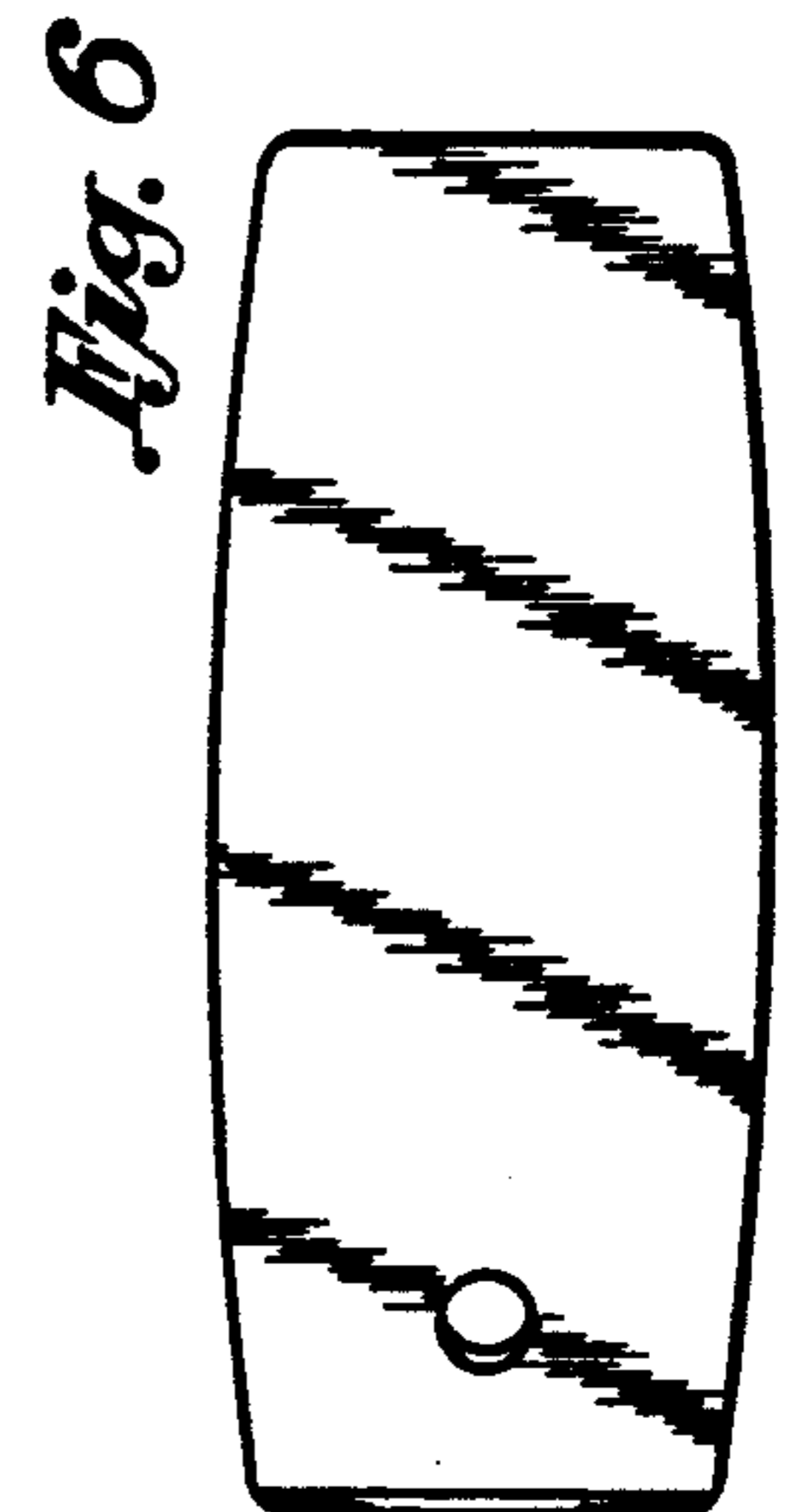


Fig. 6