



US00D328661S

United States Patent [19]

vom Braucke et al.

[11] Patent Number: **Des. 328,661**

[45] Date of Patent: **** Aug. 11, 1992**

[54] **HAND TRUCK**

[75] Inventors: **Manfred vom Braucke, Bielefeld;**
Hans vom Braucke, Vlotho, both of
Fed. Rep. of Germany

[73] Assignee: **Bielefelder Kuchenmaschinenund**
Transportgerate-Fabrik vom Braucke
GmbH, Bielefeld, Fed. Rep. of
Germany

[**] Term: **14 Years**

[21] Appl. No.: **564,306**

[22] Filed: **Aug. 8, 1990**

[52] U.S. Cl. **D34/26; D34/24**

[58] Field of Search **D34/12, 24, 25, 26;**
280/47.24, 47.26, 47.18, 47.23, 47.12, 47.29

[56] **References Cited**

U.S. PATENT DOCUMENTS

3,121,963	2/1964	Nolan	280/47.26
3,827,707	8/1974	Breman	280/47.24
4,563,014	1/1986	Mortenson	280/47.18

Primary Examiner—Kay H. Chin
Attorney, Agent, or Firm—Burns, Doane, Swecker & Mathis

[57] **CLAIM**

The ornamental design for a hand truck, as shown and described.

DESCRIPTION

FIG. 1 is a front elevational view of a hand truck showing our new design in an unfolded condition; FIG. 2 is a right side elevational view of FIG. 1; FIG. 3 is a rear elevational view of FIG. 1; FIG. 4 is a left side elevational view of FIG. 1; FIG. 5 is a top plan view of FIG. 1; FIG. 6 is a bottom plan view of FIG. 1; FIG. 7 is a front elevational view showing the hand truck in a folded-up state ready for storage; FIG. 8 is a right side elevational view of FIG. 7; FIG. 9 is a bottom plan view of FIG. 7; FIG. 10 is a rear elevational view of FIG. 7; FIG. 11 is a left side elevational view of FIG. 7; and, FIG. 12 is a top plan view of FIG. 7.

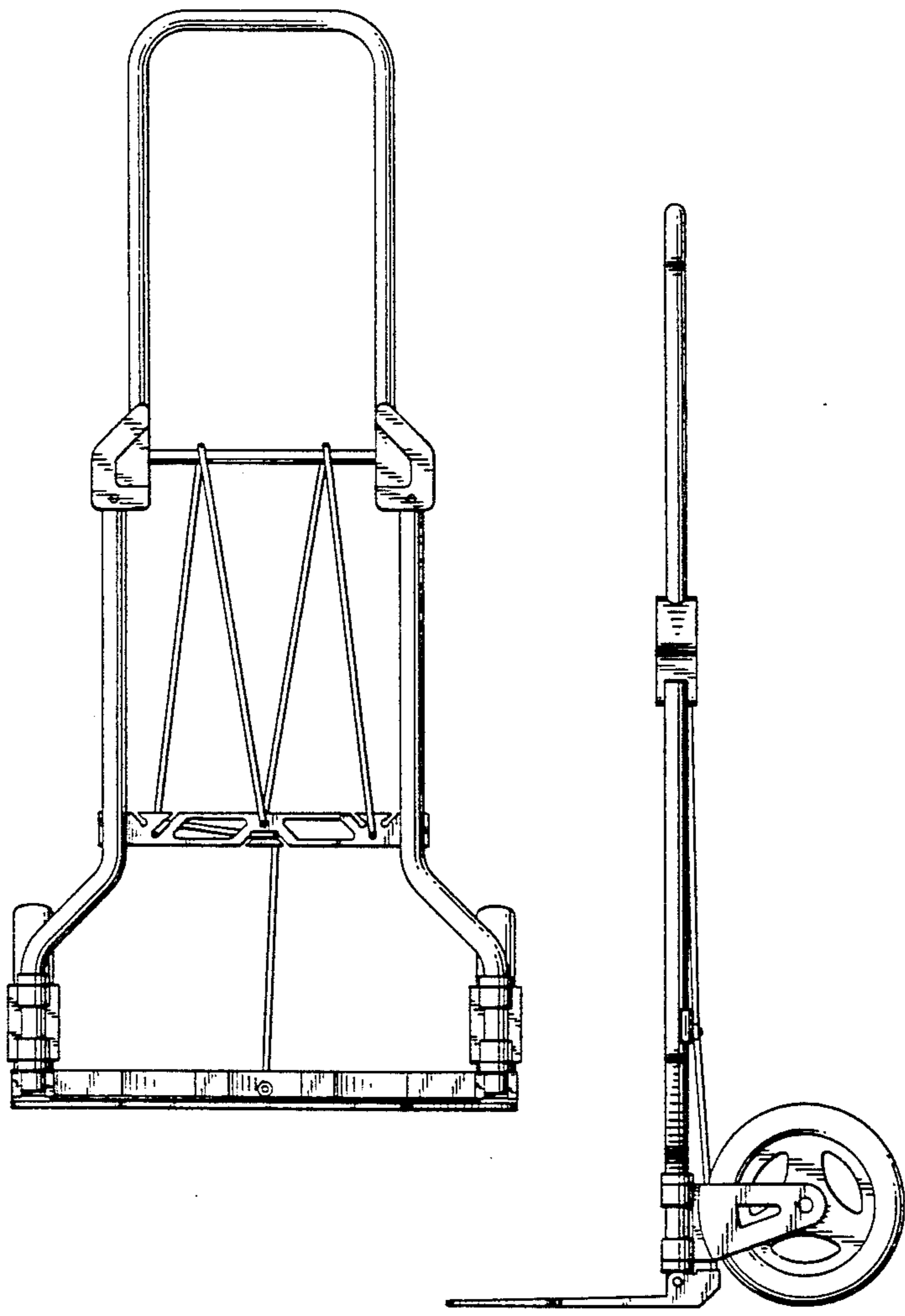


Fig. 1

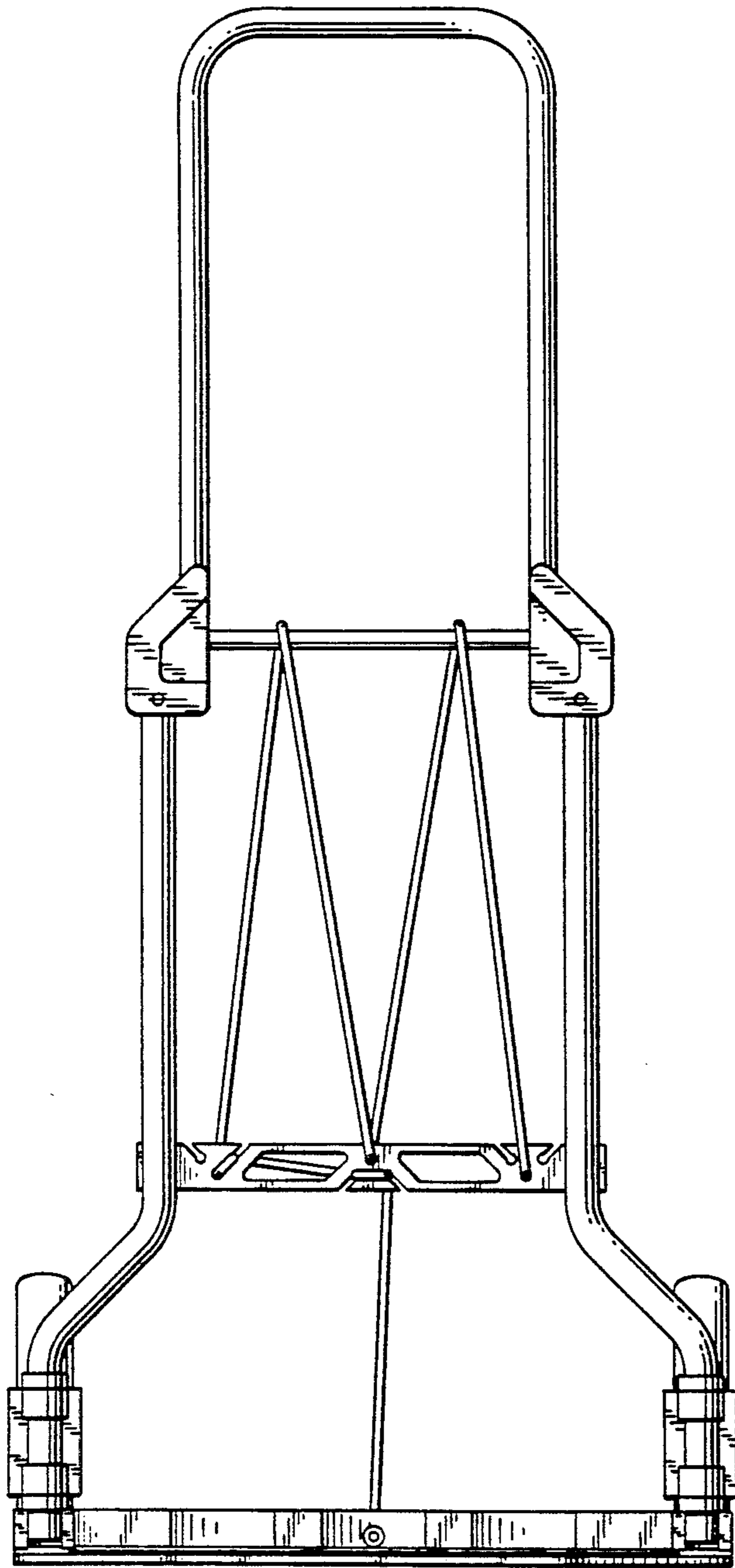


Fig. 2

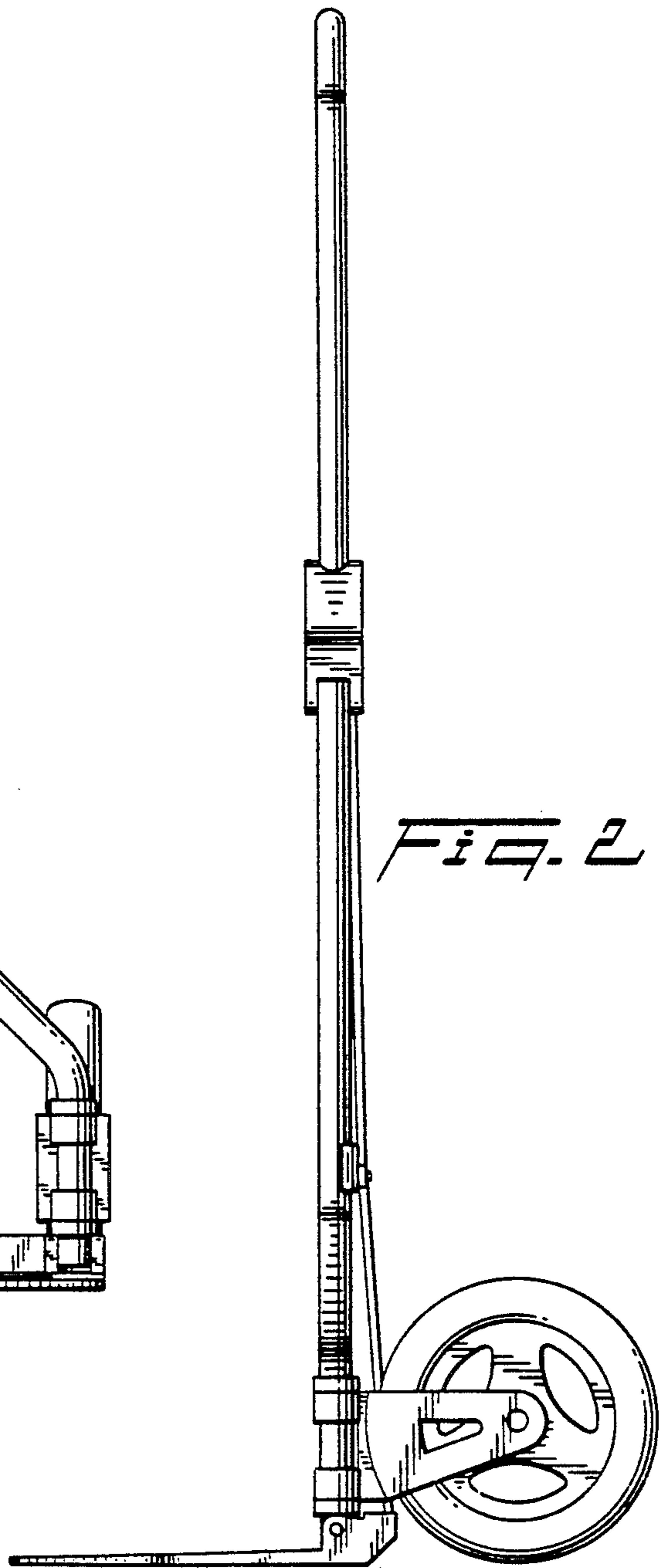


Fig. 3

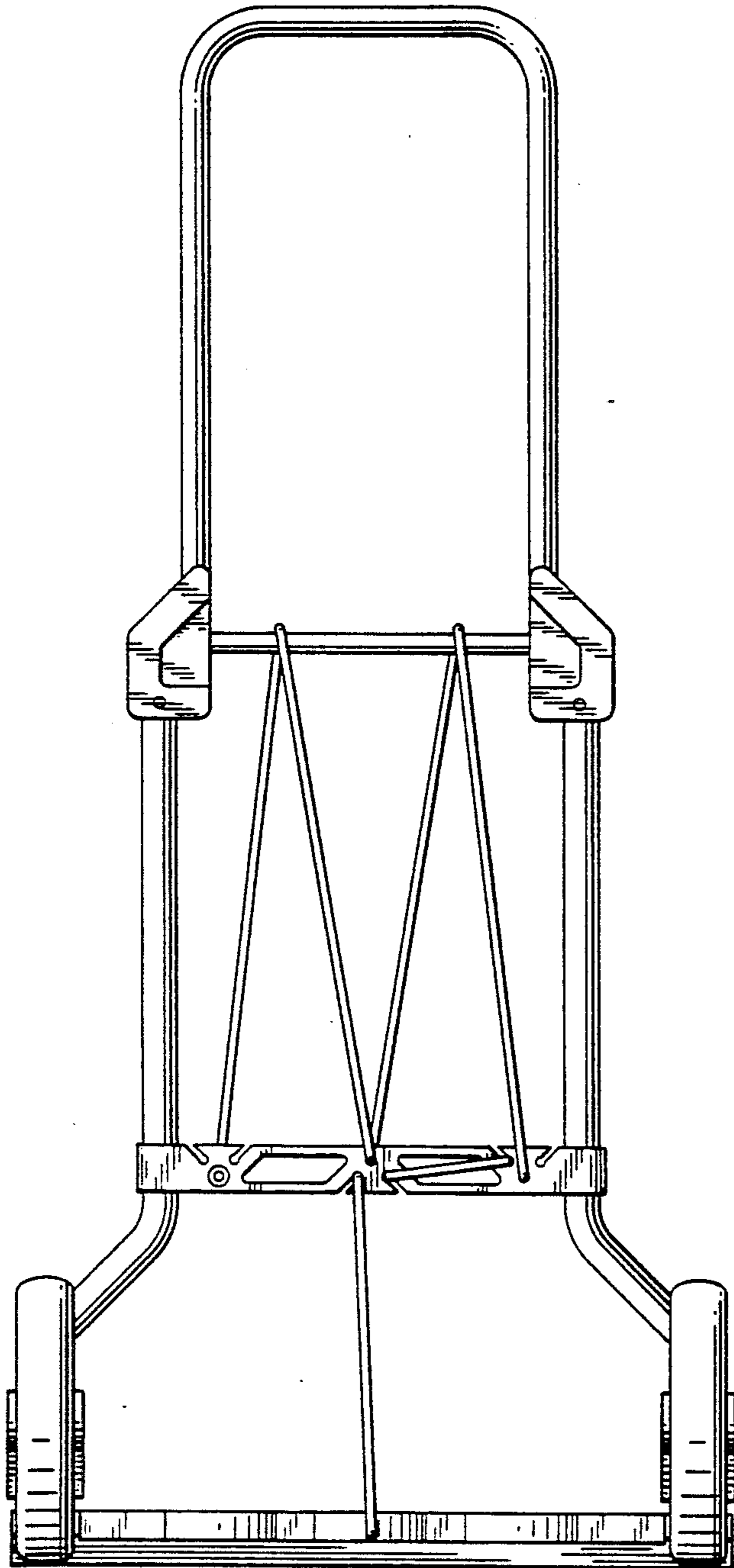


Fig. 4

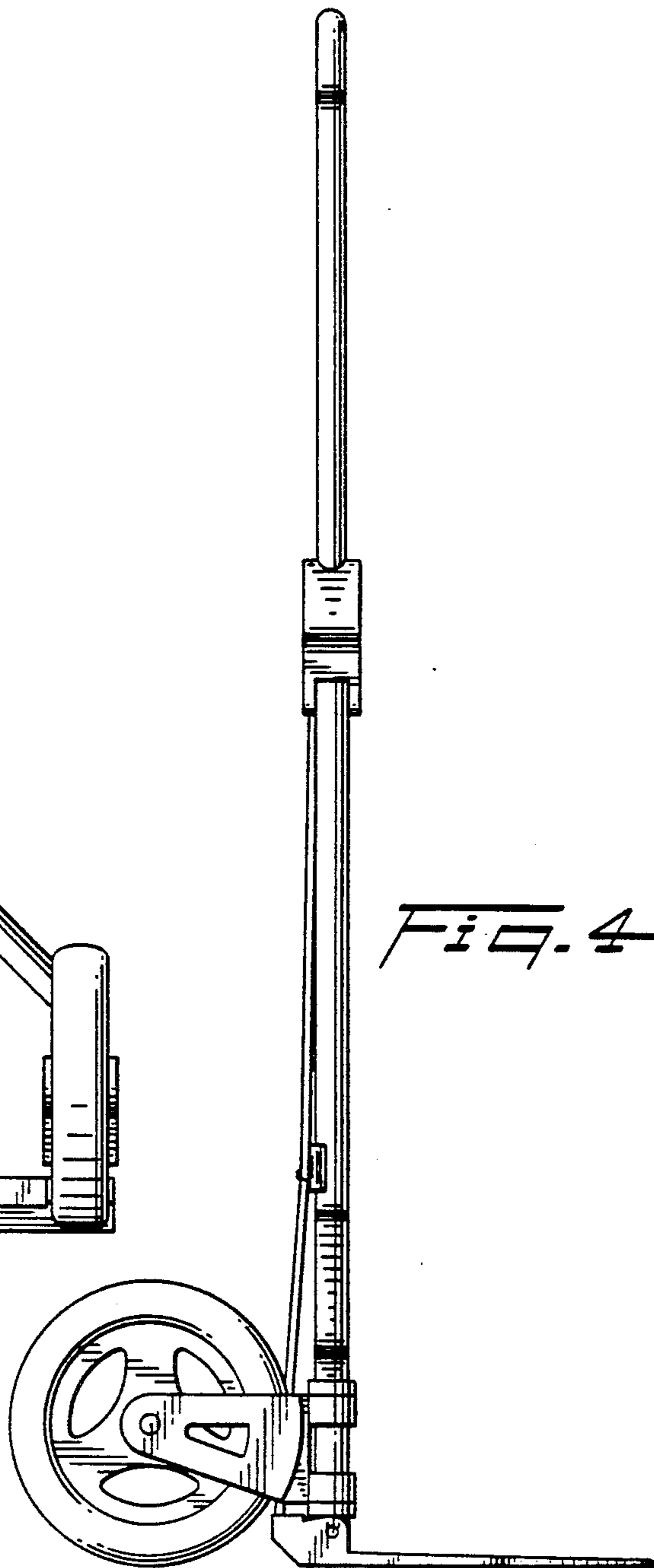


Fig. 5

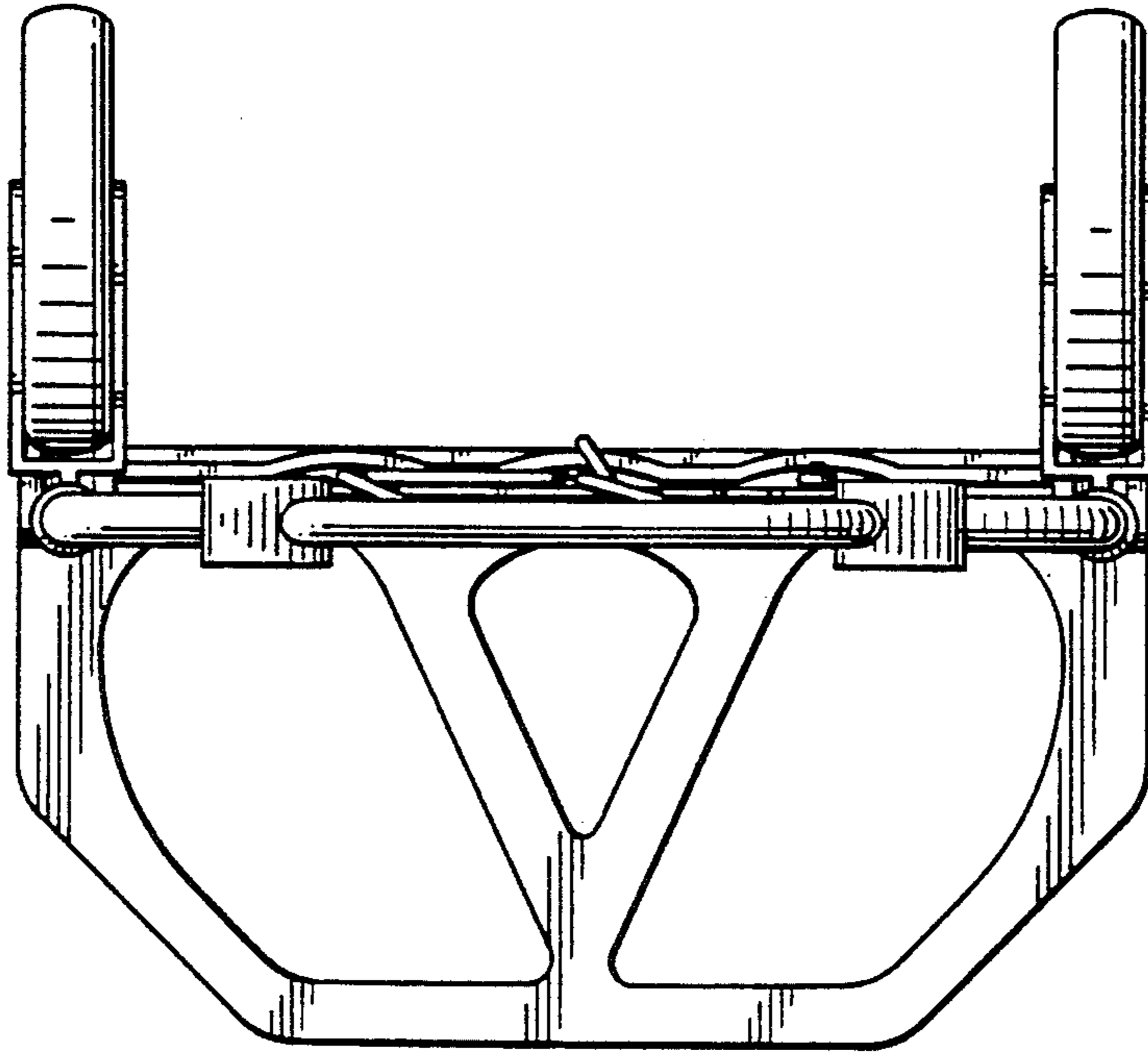


Fig. 6

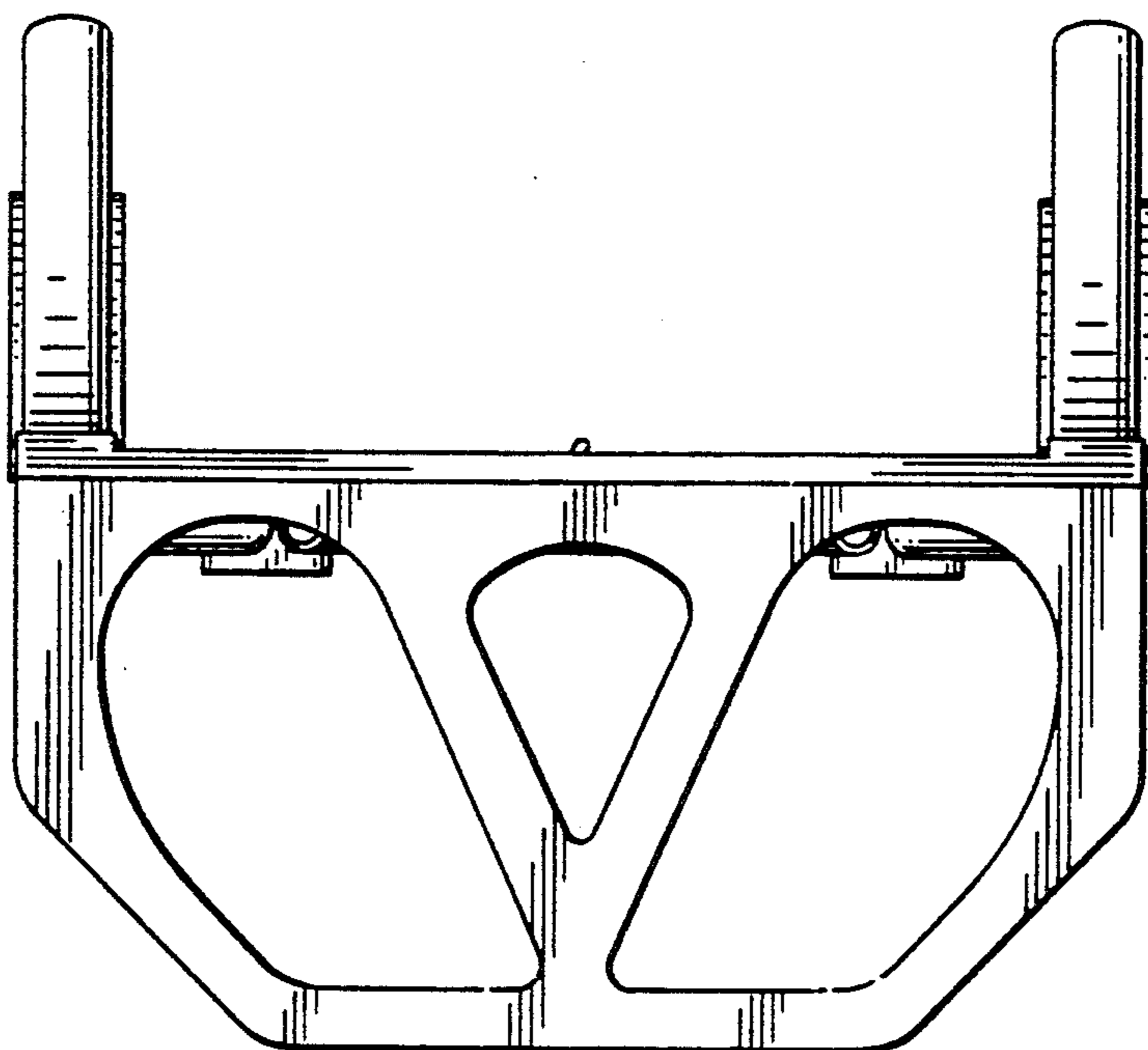


Fig. 7

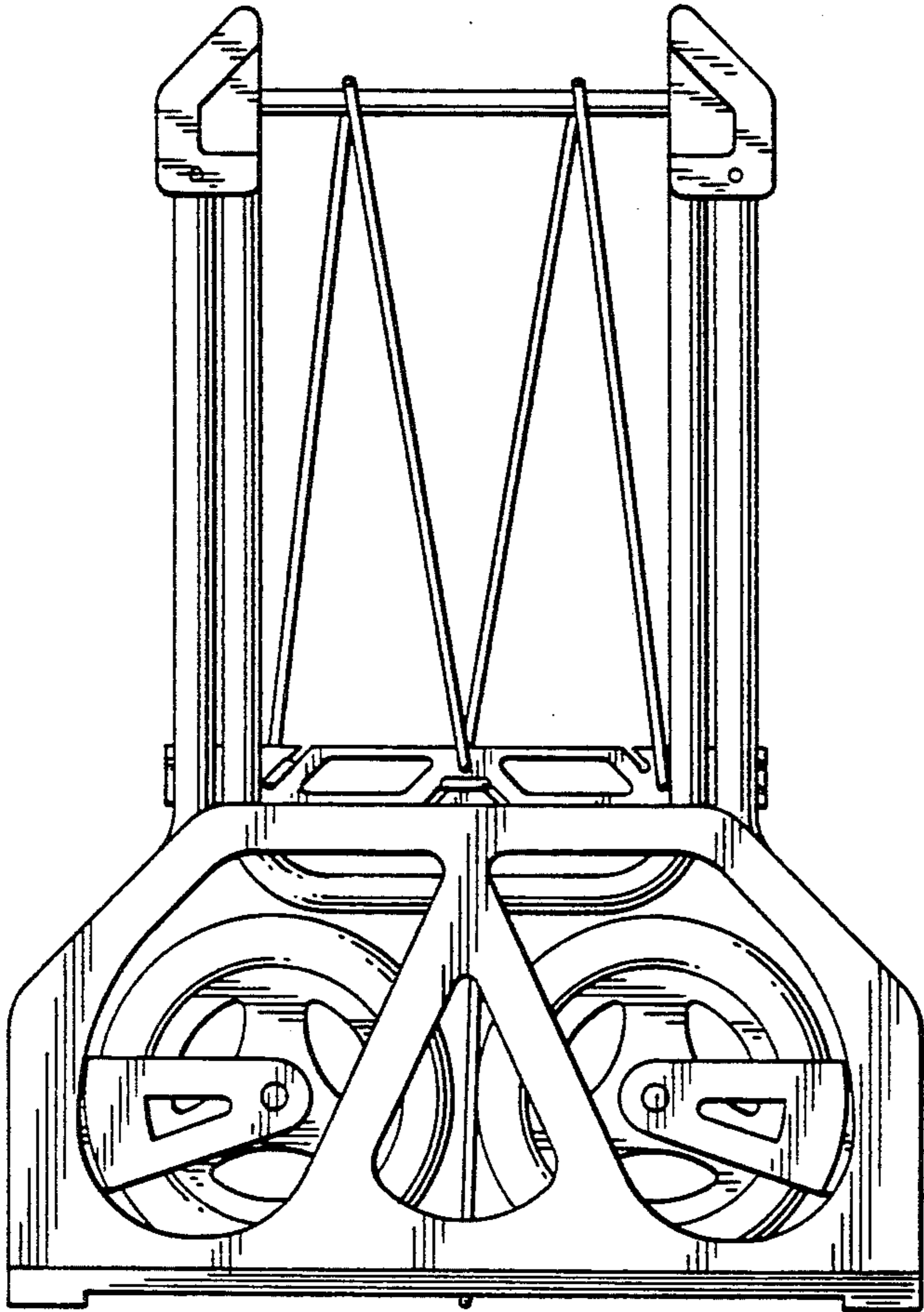


Fig. 8

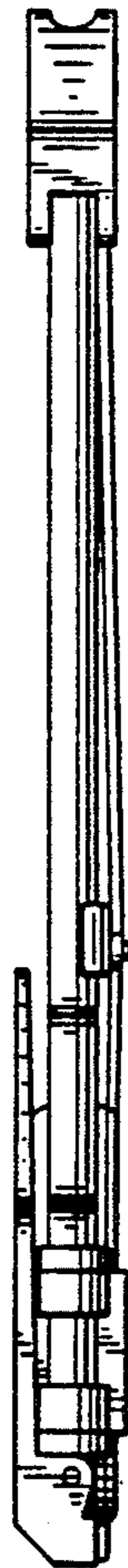


Fig. 9



FIG. 10

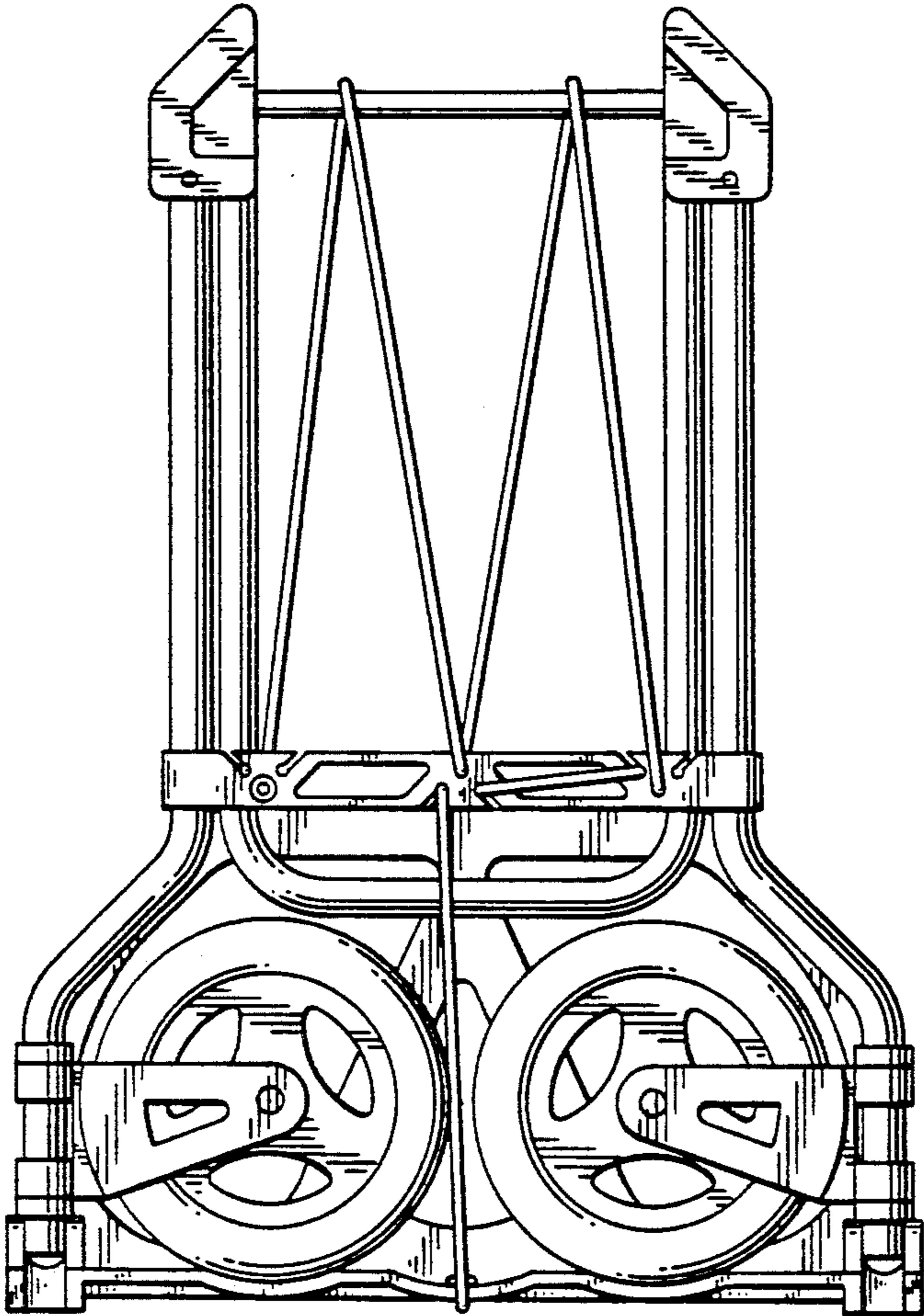


FIG. 11

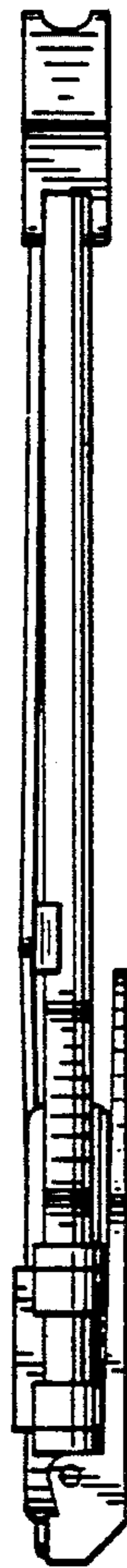


FIG. 12

