



US00D328658S

United States Patent [19]

[11] Patent Number: **Des. 328,658**

Savage

[45] Date of Patent: **** Aug. 11, 1992**

[54] **HAND GRIP FOR A WESTERN STYLE SADDLE HORN**

2,464,881 3/1949 McClellan 54/46
3,196,595 7/1965 McKeen, Jr. 54/46

[76] Inventor: **Patricia Savage, Rte. 1, Box 528, Blanchard, Okla. 73010**

FOREIGN PATENT DOCUMENTS

12765 of 1849 United Kingdom 54/37

[**] Term: **14 Years**

OTHER PUBLICATIONS

[21] Appl. No.: **658,372**

Anchor Brand Hardware Pdts Catalog; Rec'd Jan. 3, 1958; p. 119; item 80 (top pg.) Swivel Trace Snaps.

[22] Filed: **Feb. 20, 1991**

[52] U.S. Cl. **D30/138; 54/44.1**

Primary Examiner—A. Hugo Word
Assistant Examiner—Cathy Anne MacCormac
Attorney, Agent, or Firm—Terry M. Gernstein

[58] Field of Search 54/44, 46, 78;
D30/134-142; D8/306, 401; D6/546

[57] CLAIM

[56] References Cited

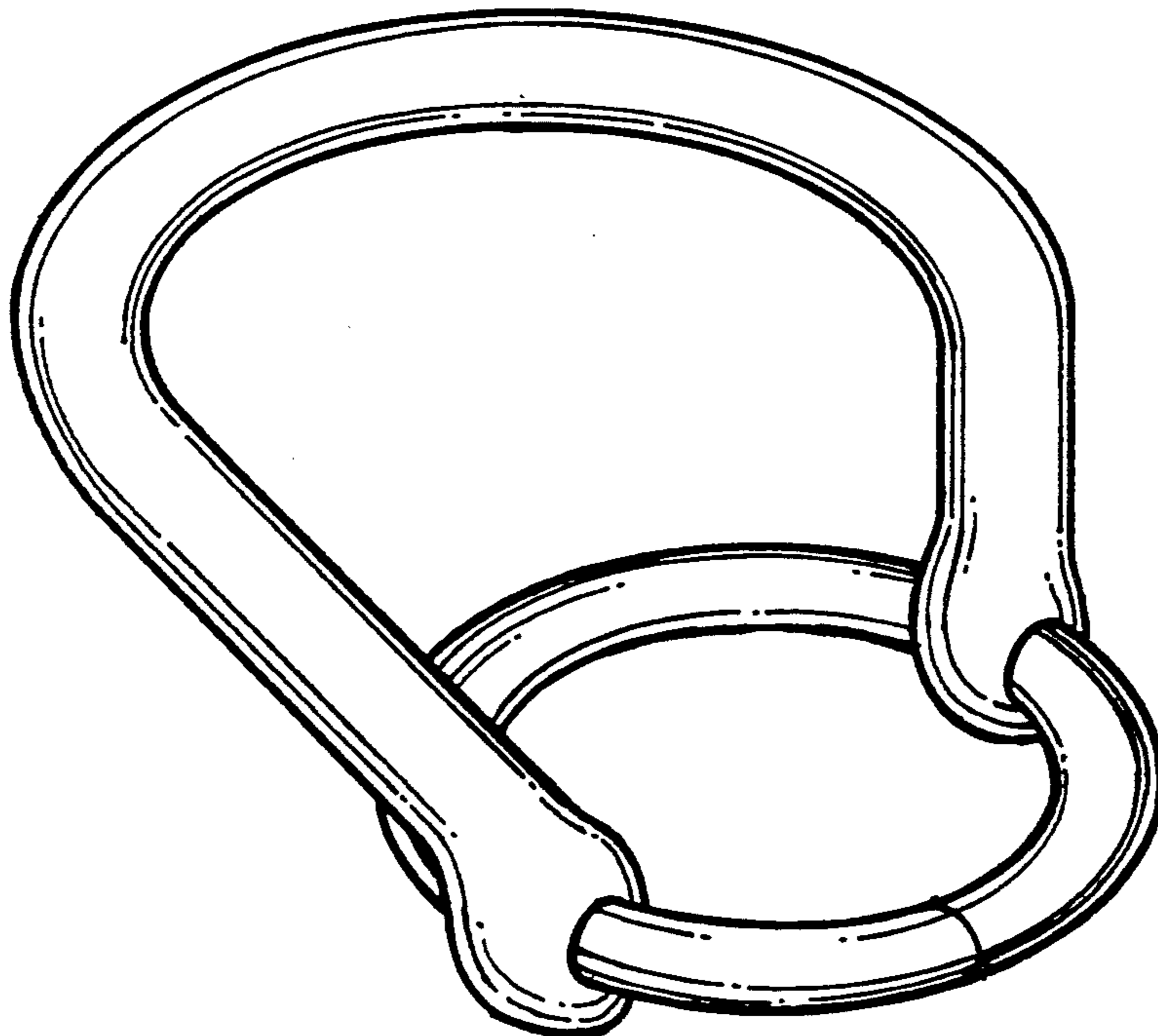
The ornamental design for a hand grip for a western style saddle horn, as shown and described.

U.S. PATENT DOCUMENTS

D. 12,500	9/1881	Mosman	D8/306
D. 30,271	2/1899	Ziegler	D30/137
D. 32,898	7/1900	Barnhart	D30/140
D. 80,866	4/1930	Spector	D8/401
D. 92,940	8/1934	Bradbury	D8/306
D. 176,019	11/1955	Hollowell	D8/306
D. 256,863	9/1980	Ryan et al.	D6/546
D. 258,345	2/1981	Paul	D8/401
D. 307,107	4/1990	Wensien	D8/306
376,151	1/1888	Hasbrouck, Jr.	54/78
447,723	3/1891	Forker	54/44
531,580	12/1894	Weeks	54/46

DESCRIPTION

FIG. 1 is a perspective view of a hand grip for a western style saddle horn showing my new design; FIG. 2 is a front elevational view thereof; FIG. 3 is a rear elevational view thereof; FIG. 4 is a side elevational view thereof; FIG. 5 is a side elevational view thereof showing the opposite side of FIG. 4; FIG. 6 is a top plan view thereof; and, FIG. 7 is a bottom view thereof.



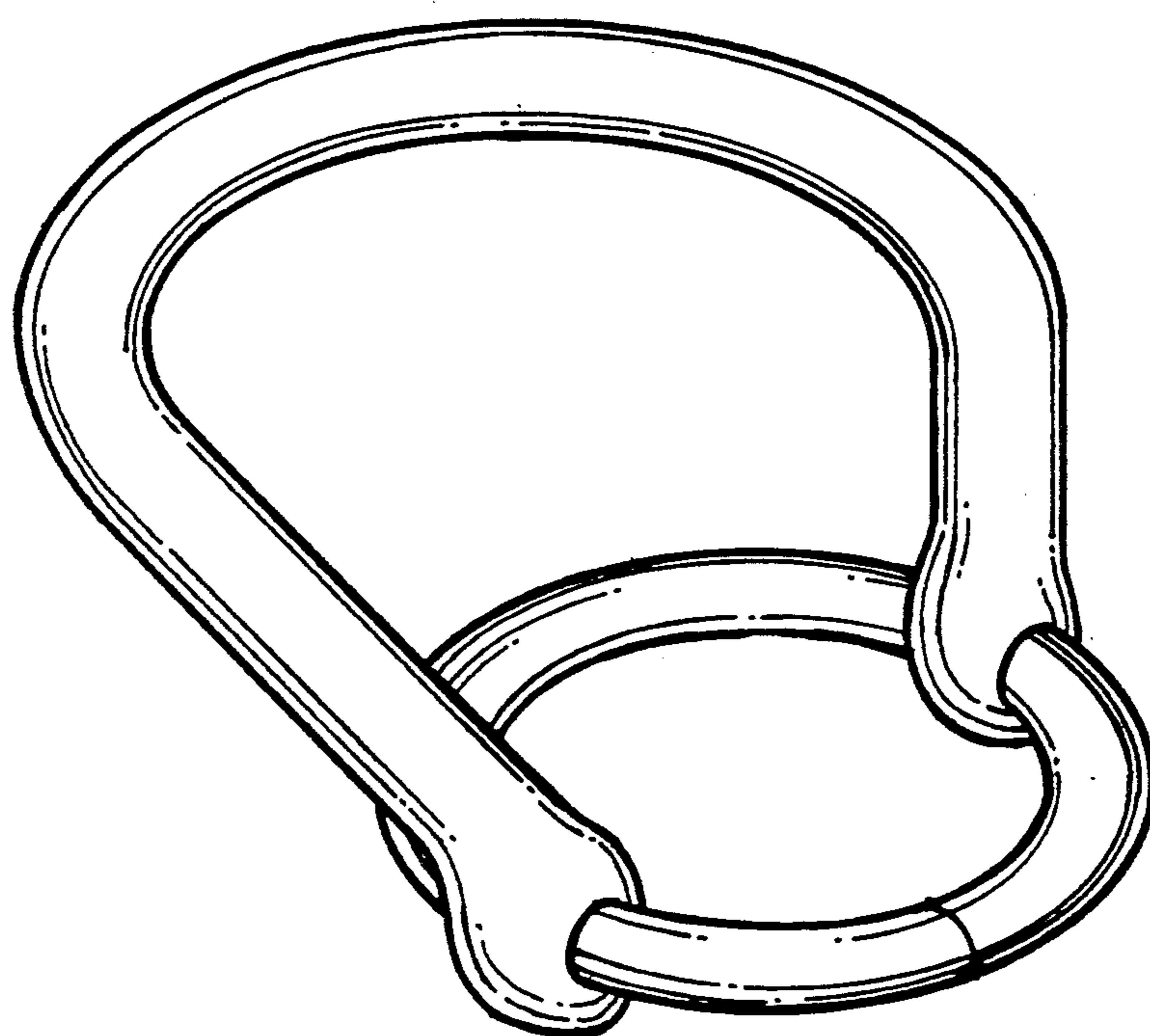


FIG. 1

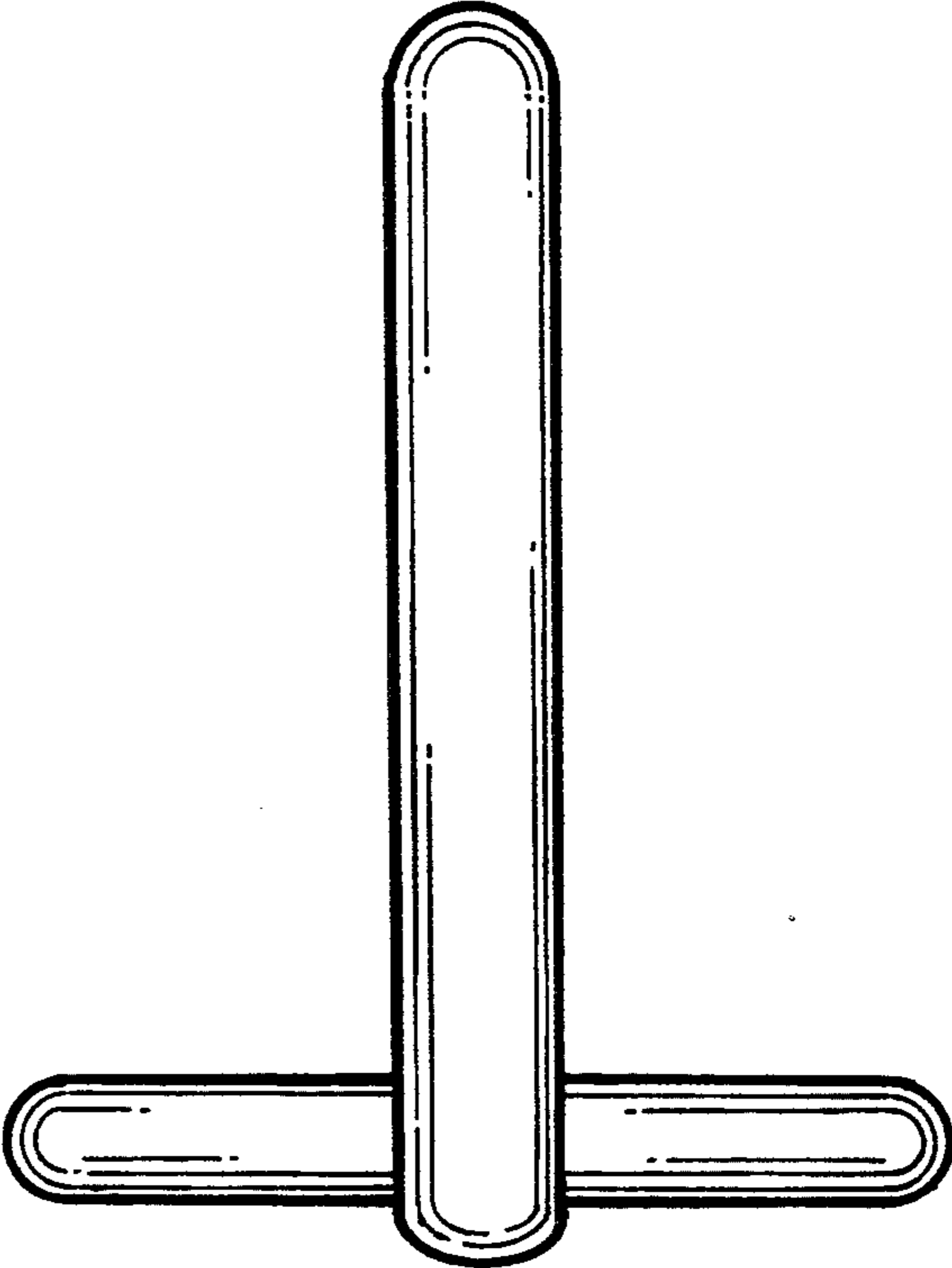


FIG. 2

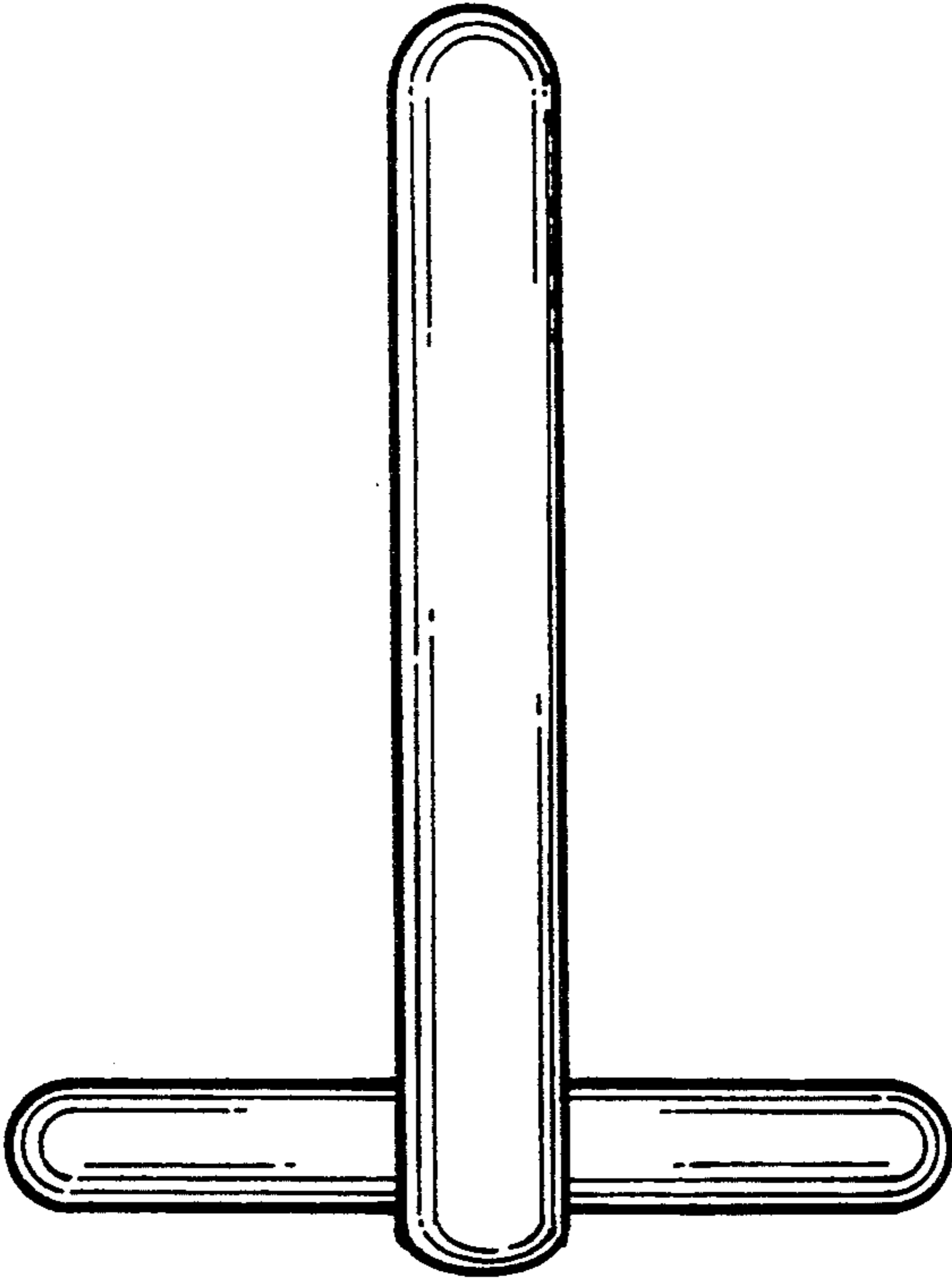


FIG. 3

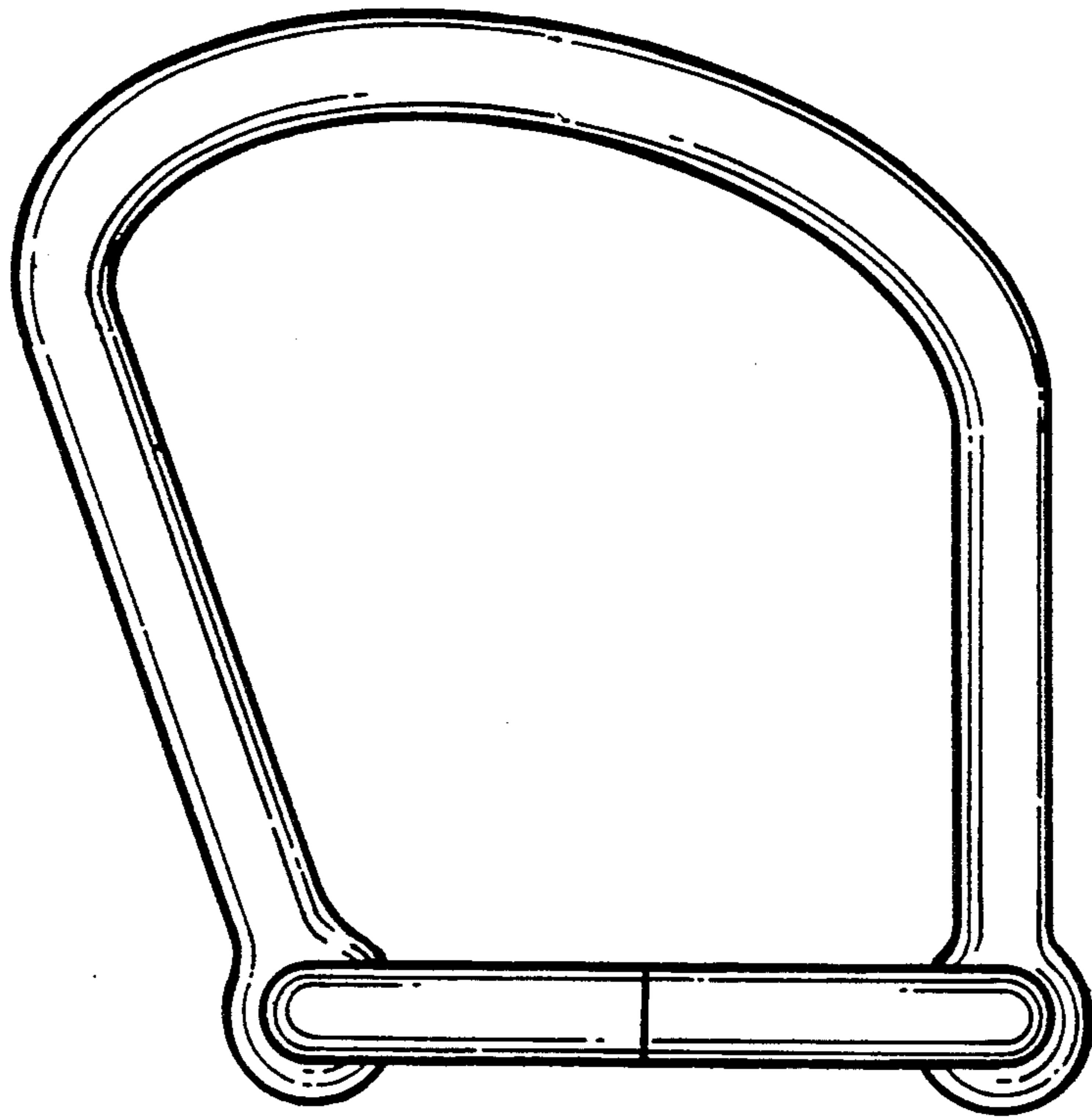


FIG. 5

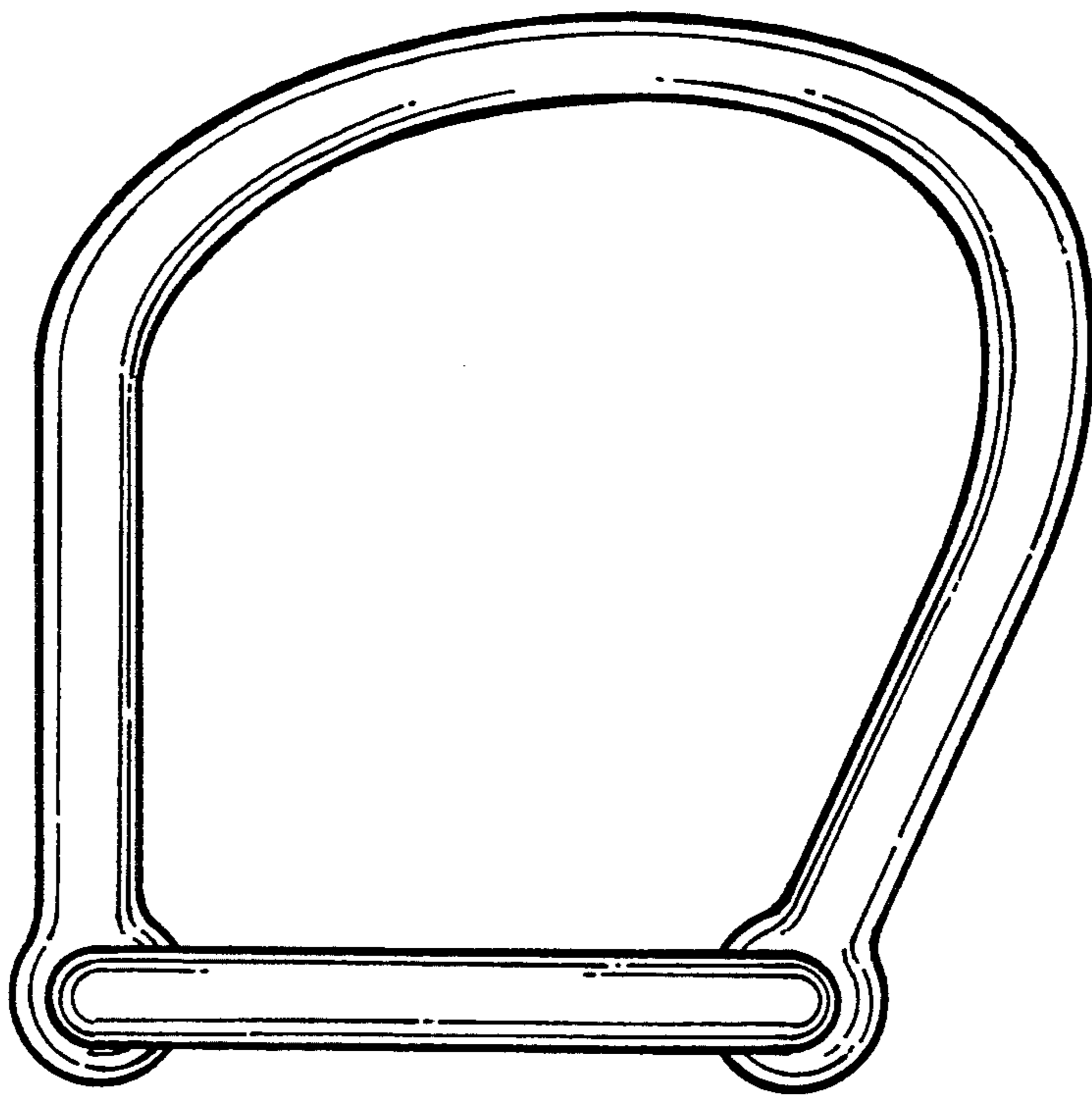


FIG. 4

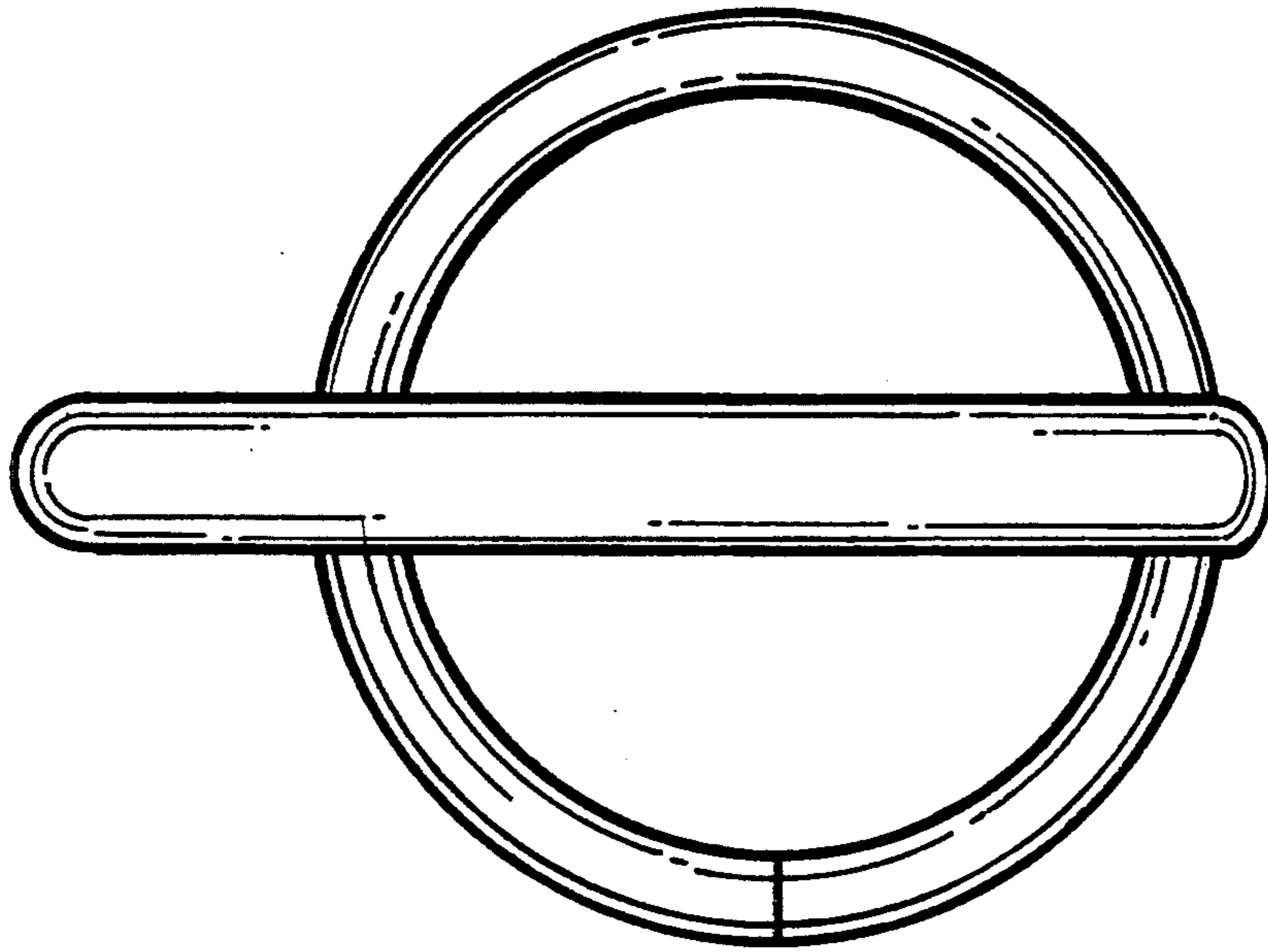


FIG. 6

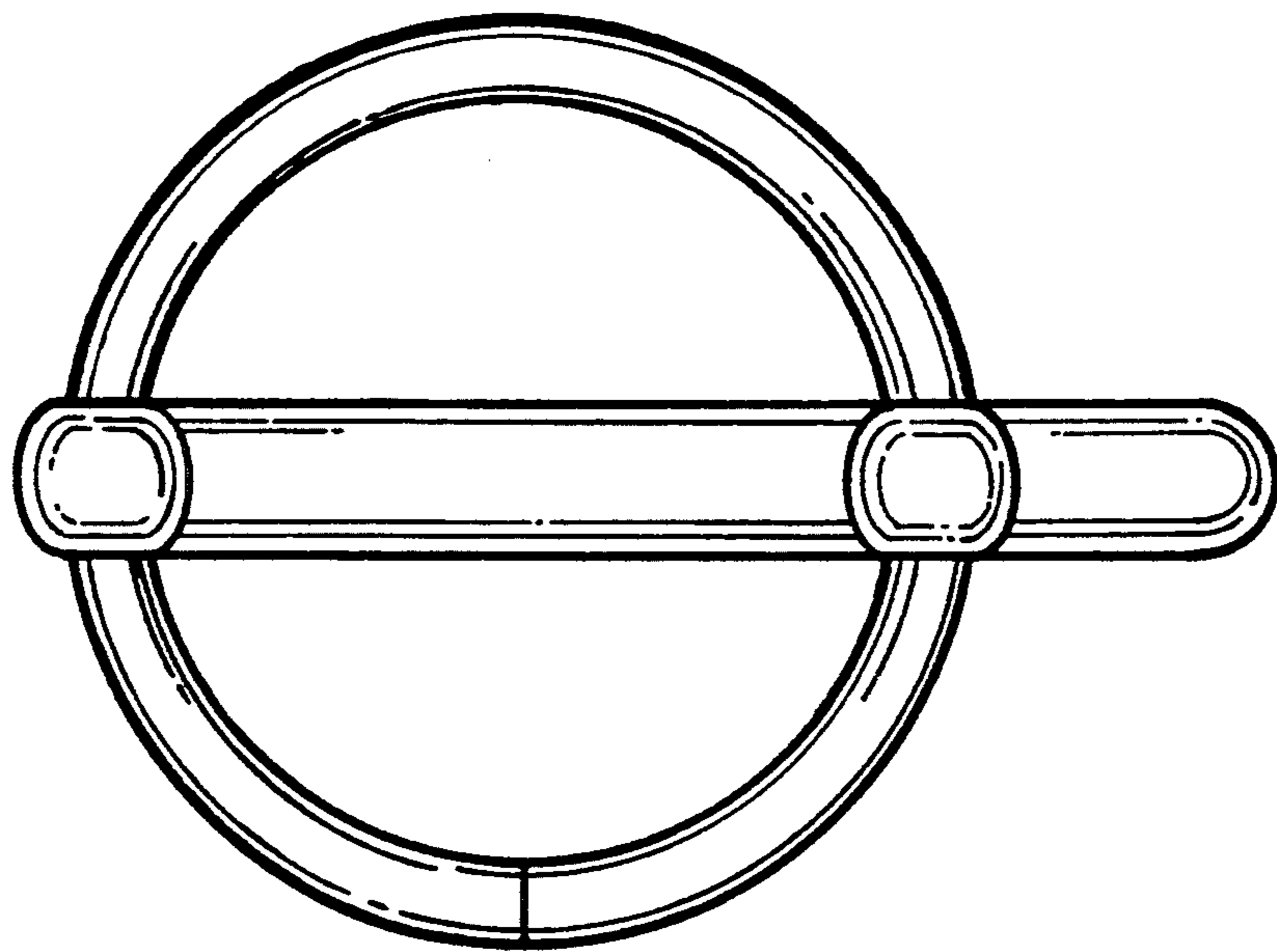


FIG. 7